



US00D777311S

(12) **United States Design Patent**
Chen

(10) **Patent No.:** **US D777,311 S**

(45) **Date of Patent:** **** Jan. 24, 2017**

(54) **FAN**

(71) Applicant: **Yung-Chi Chen**, Taichung (TW)

(72) Inventor: **Yung-Chi Chen**, Taichung (TW)

(**) Term: **15 Years**

(21) Appl. No.: **29/528,372**

(22) Filed: **May 28, 2015**

(30) **Foreign Application Priority Data**

Mar. 3, 2015 (TW) 104301090

(51) **LOC (10) Cl.** **23-04**

(52) **U.S. Cl.**

USPC **D23/370**; D23/335; D23/332

(58) **Field of Classification Search**

USPC D23/370-387, 411-414, 365, 355, 342,
D23/332, 328, 337, 335, 314, 393, 336,
D23/348; 415/60, 66, 68, 208.1, 213.1,
415/214.1, 209.3; 310/257; 361/695;
126/299 D, 299 R

CPC F01D 9/042; F04D 25/08; F04D 29/70;
F04D 29/34; F04D 19/00; F24F
7/007; F24F 13/082; F24F 7/065; F24F
13/078

See application file for complete search history.

(56) **References Cited**

U.S. PATENT DOCUMENTS

D518,563 S * 4/2006 Blateri D23/335
D577,808 S * 9/2008 Chang D23/382

D631,148 S * 1/2011 Benton D23/370
D698,916 S * 2/2014 Avedon D23/379
D744,628 S * 12/2015 Alexander D23/370
D746,971 S * 1/2016 Avedon D23/379
2009/0068010 A1* 3/2009 Chang F04D 25/10
415/220
2010/0266400 A1* 10/2010 Avedon F04D 29/542
415/209.3

* cited by examiner

Primary Examiner — Susan Bennett Hattan

Assistant Examiner — Janice Hallmark

(74) *Attorney, Agent, or Firm* — LeClairRyan

(57) **CLAIM**

The ornamental design for a fan, as shown and described.

DESCRIPTION

FIG. 1 is a perspective view of the fan showing my new design;

FIG. 2 is a front elevational view thereof;

FIG. 3 is a rear elevational view thereof;

FIG. 4 is a left side elevational view thereof;

FIG. 5 is a right side elevational view thereof;

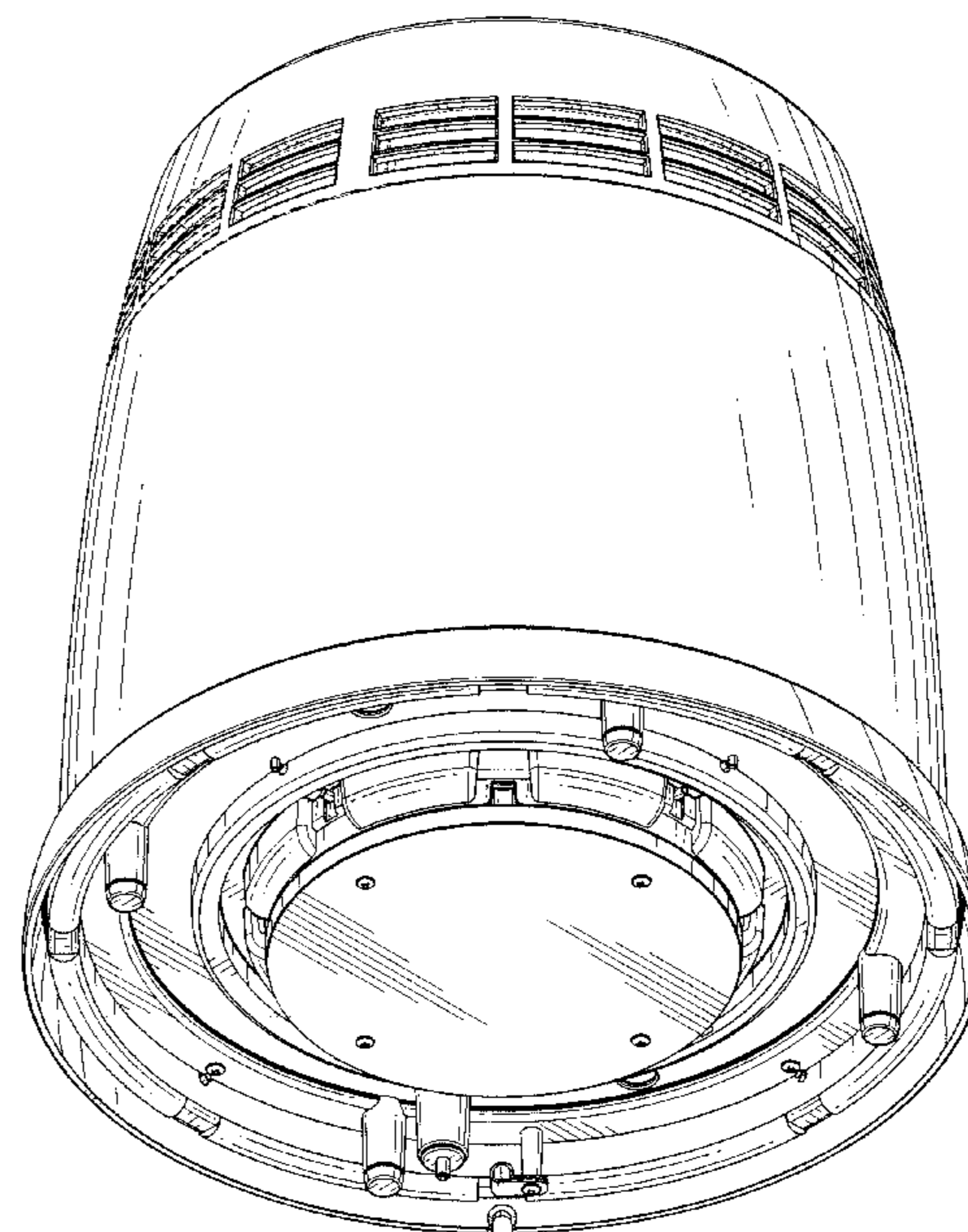
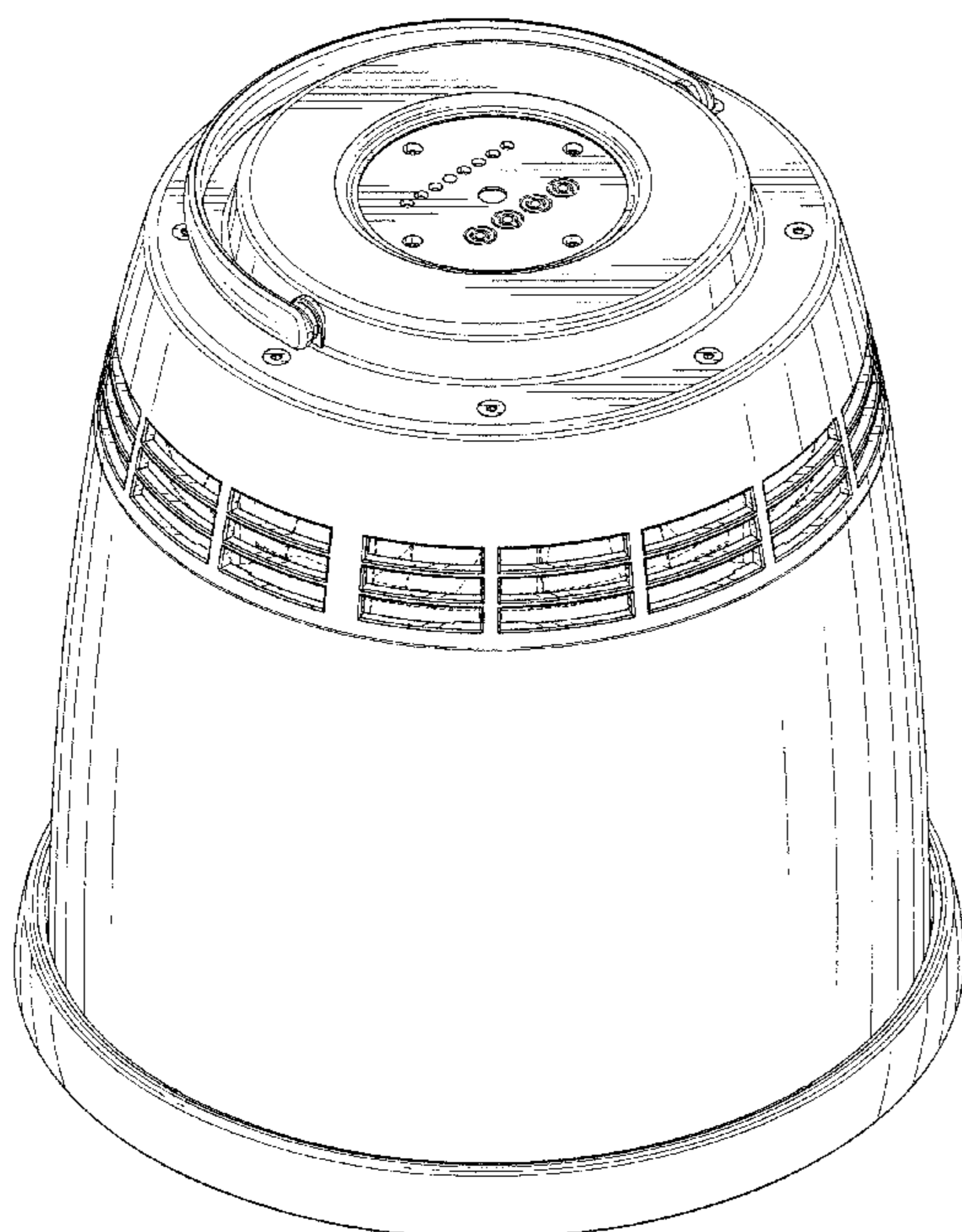
FIG. 6 is a top plan view thereof;

FIG. 7 is a bottom plan view thereof; and,

FIG. 8 is another perspective view thereof.

The broken lines in the drawings depict parts of the fan that form no part of the claimed design.

1 Claim, 8 Drawing Sheets



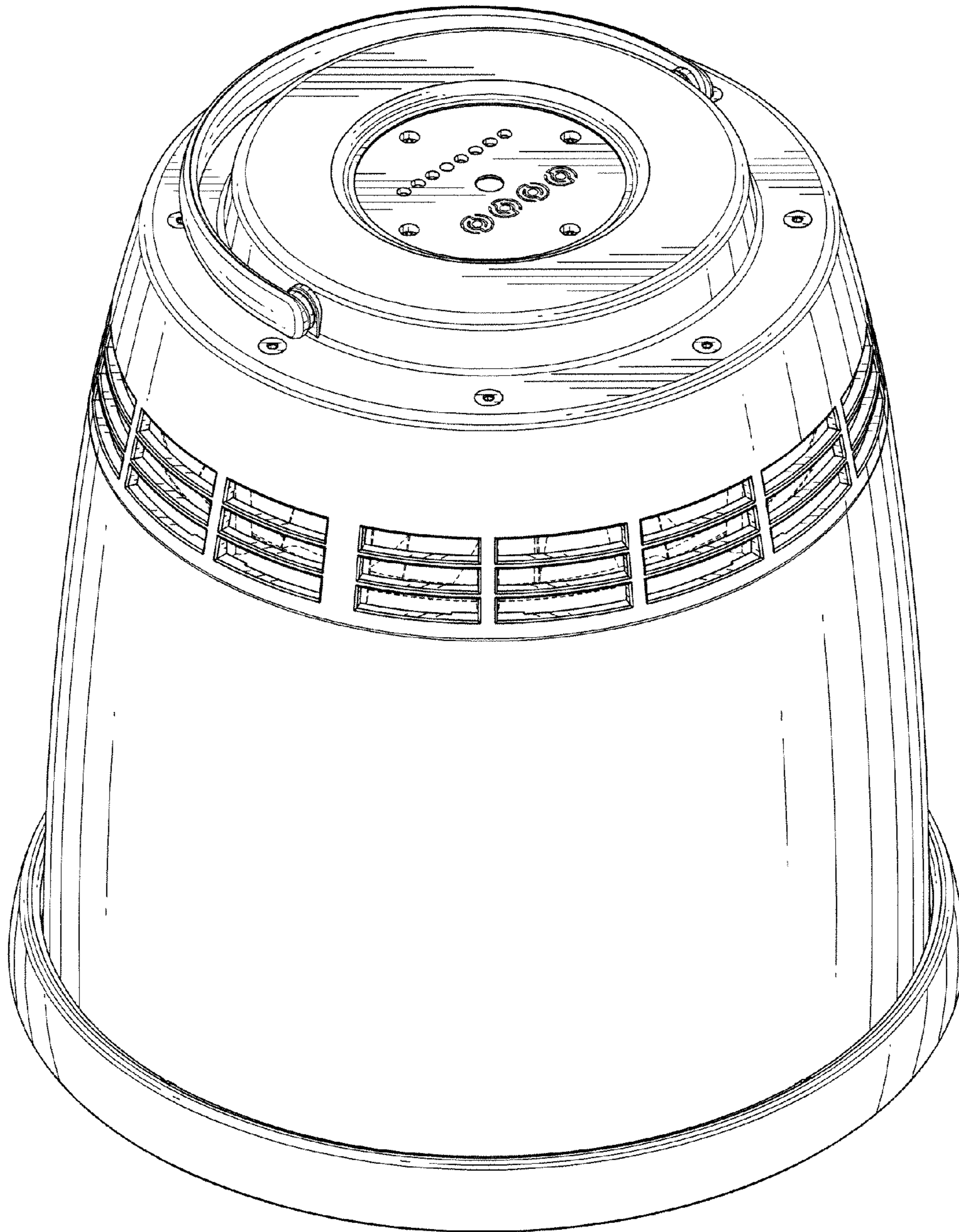


FIG.1

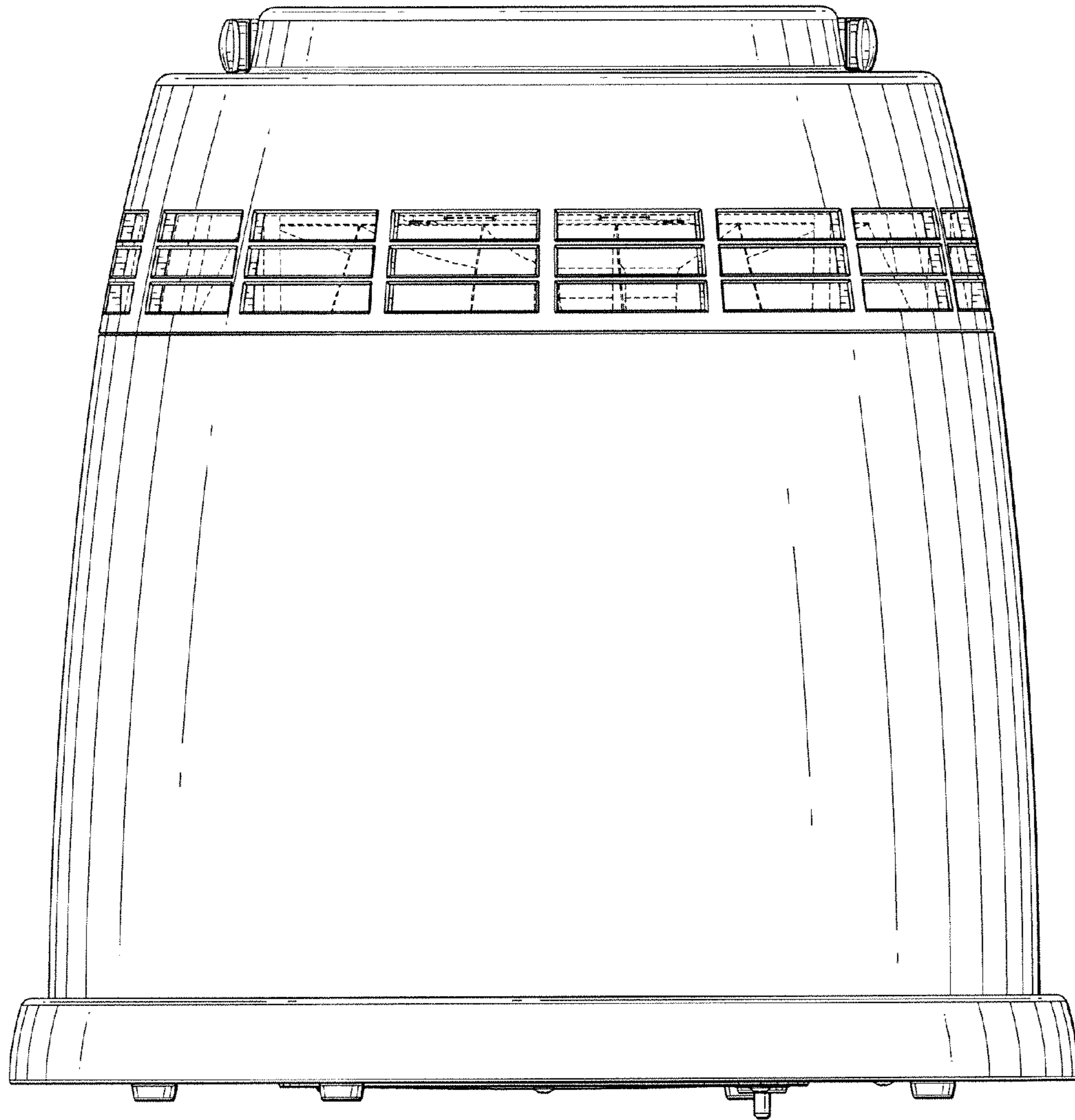


FIG.2

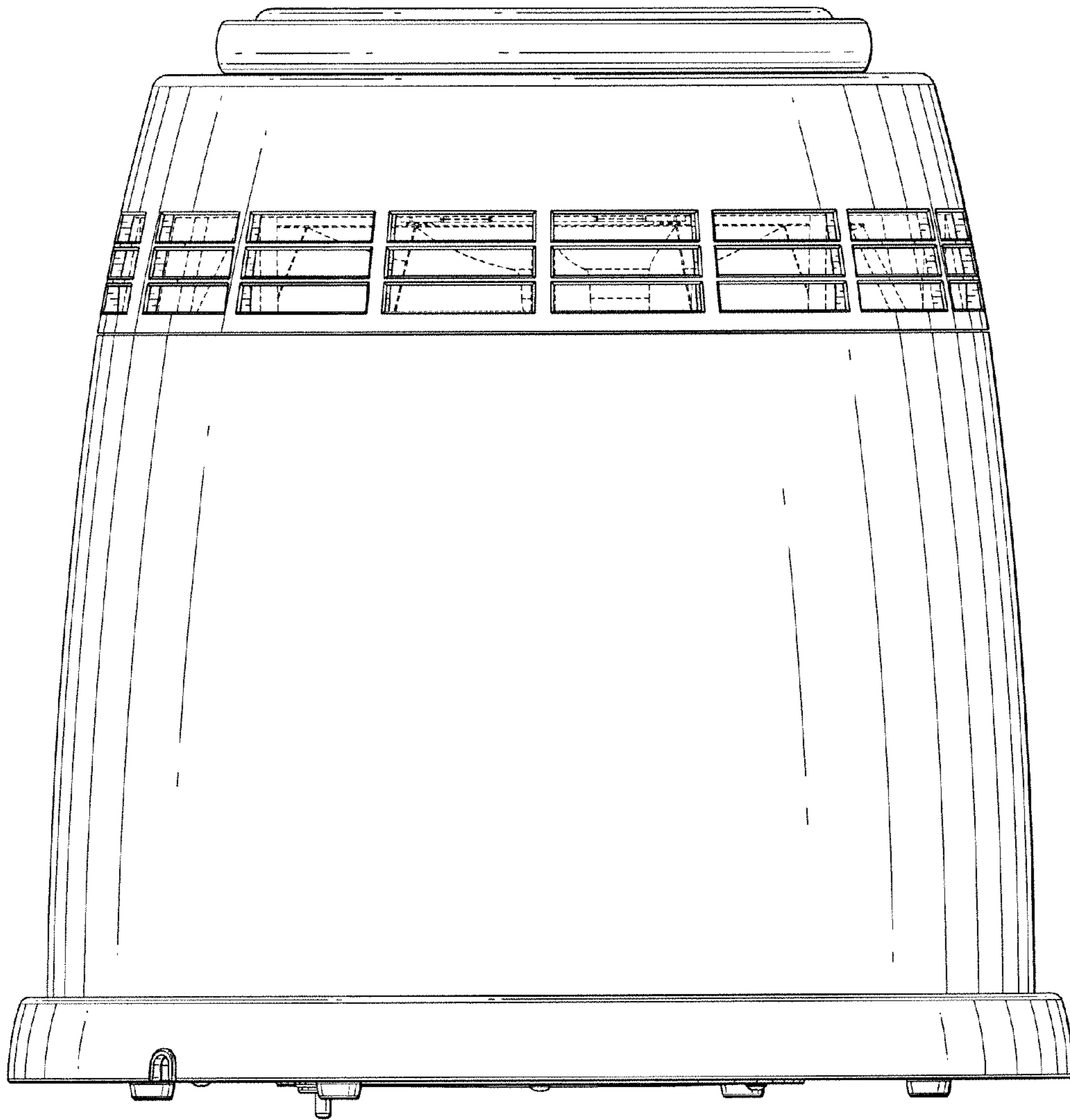


FIG.3

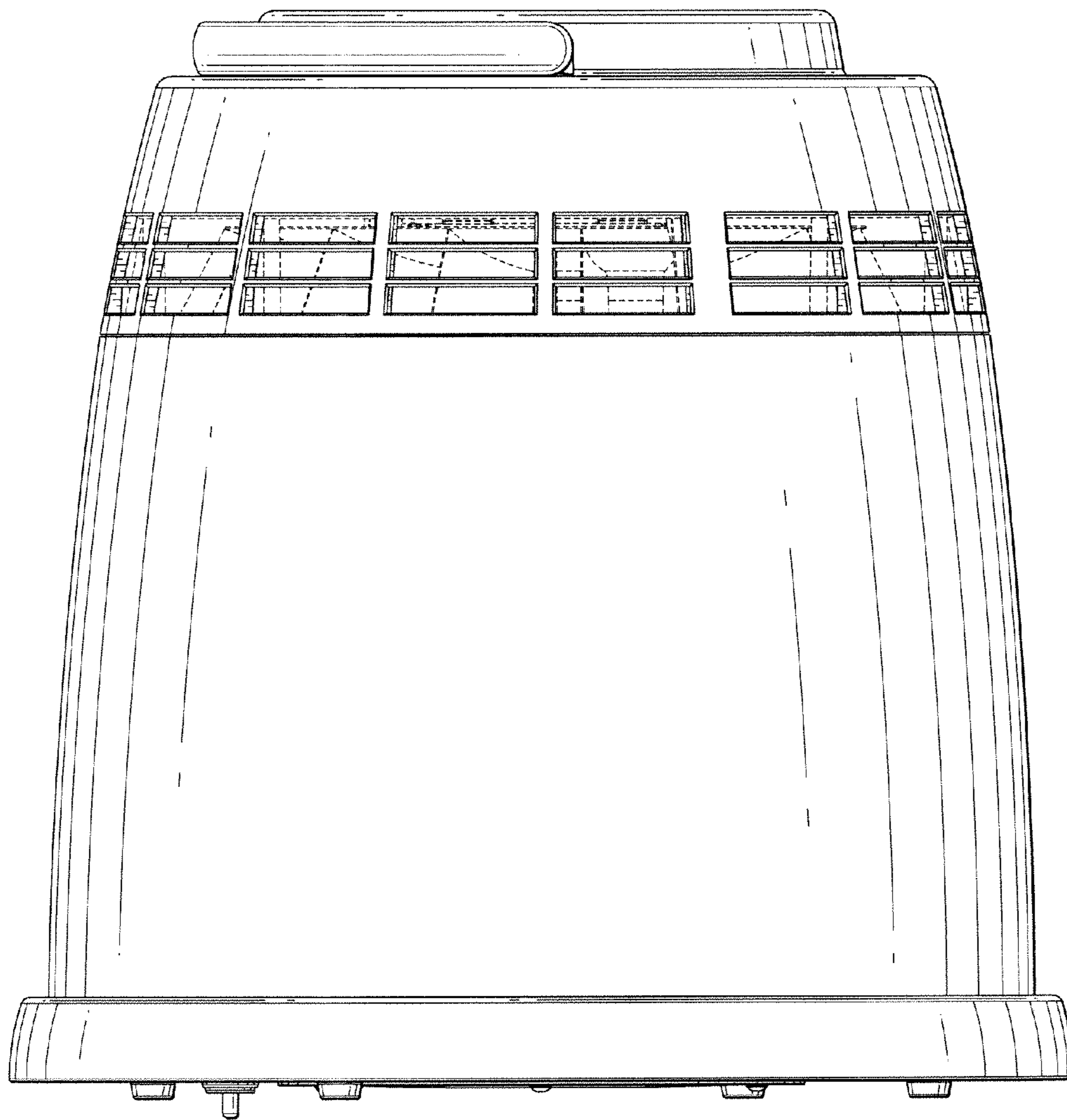


FIG.4

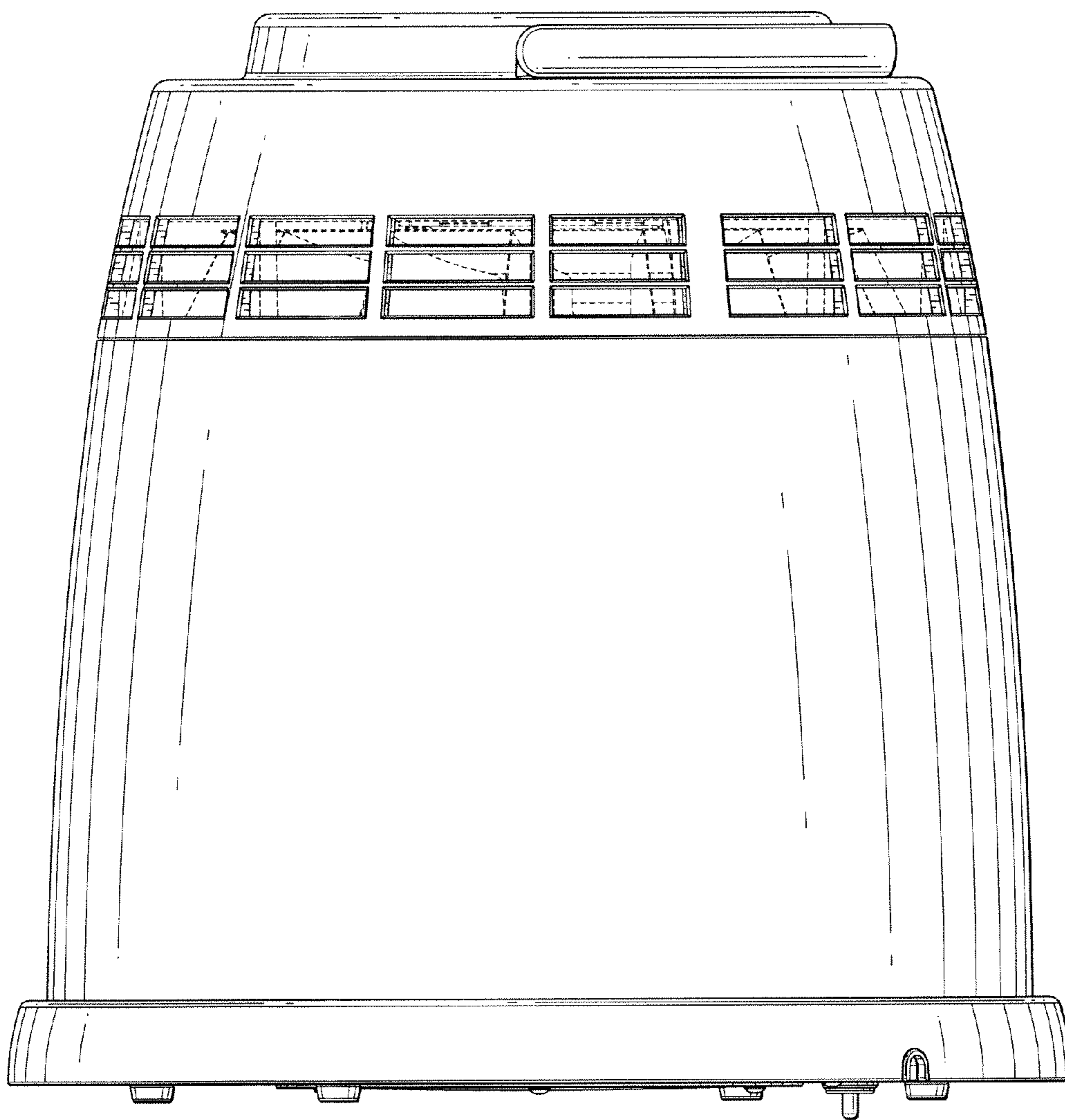


FIG.5

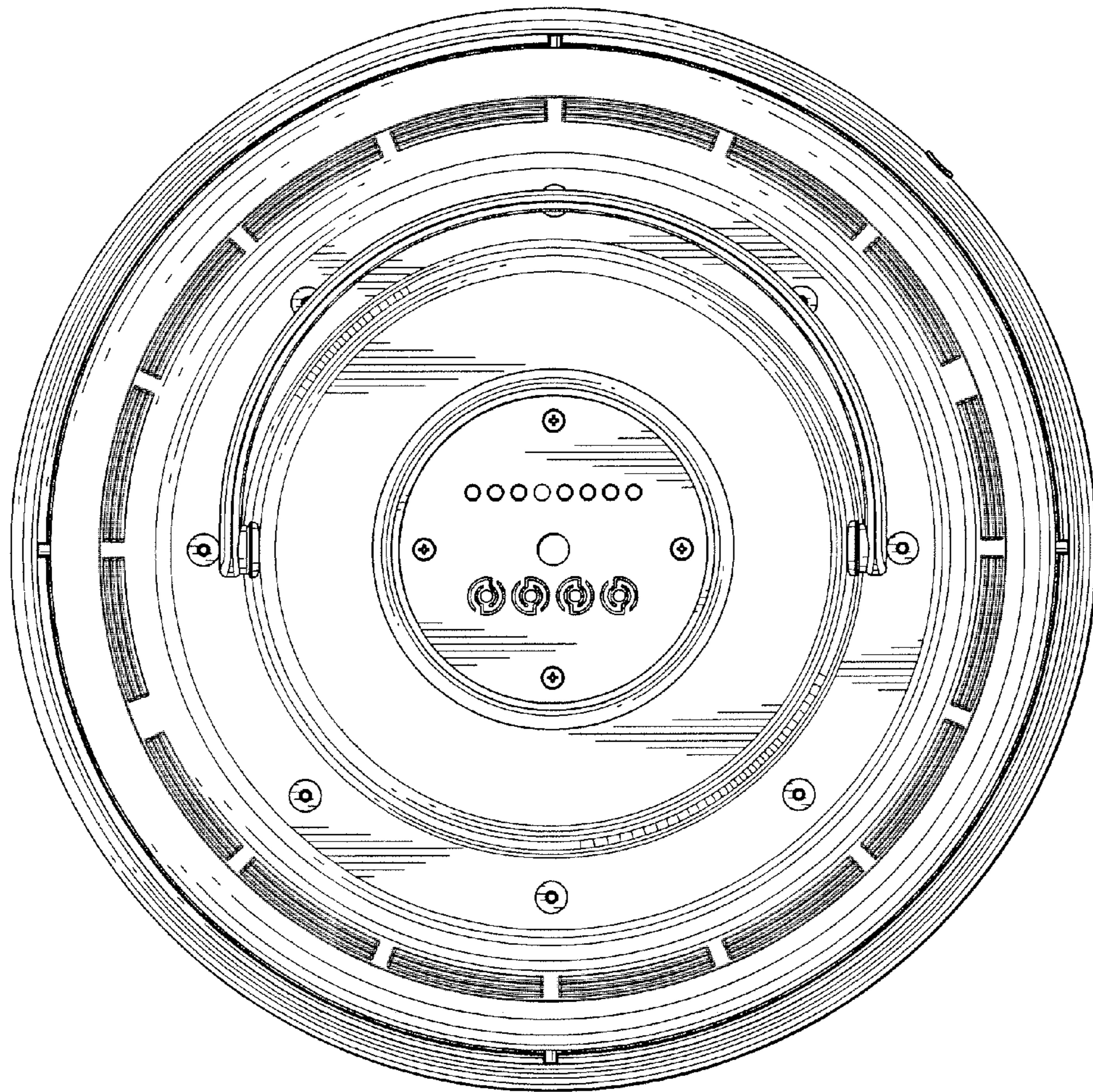


FIG.6

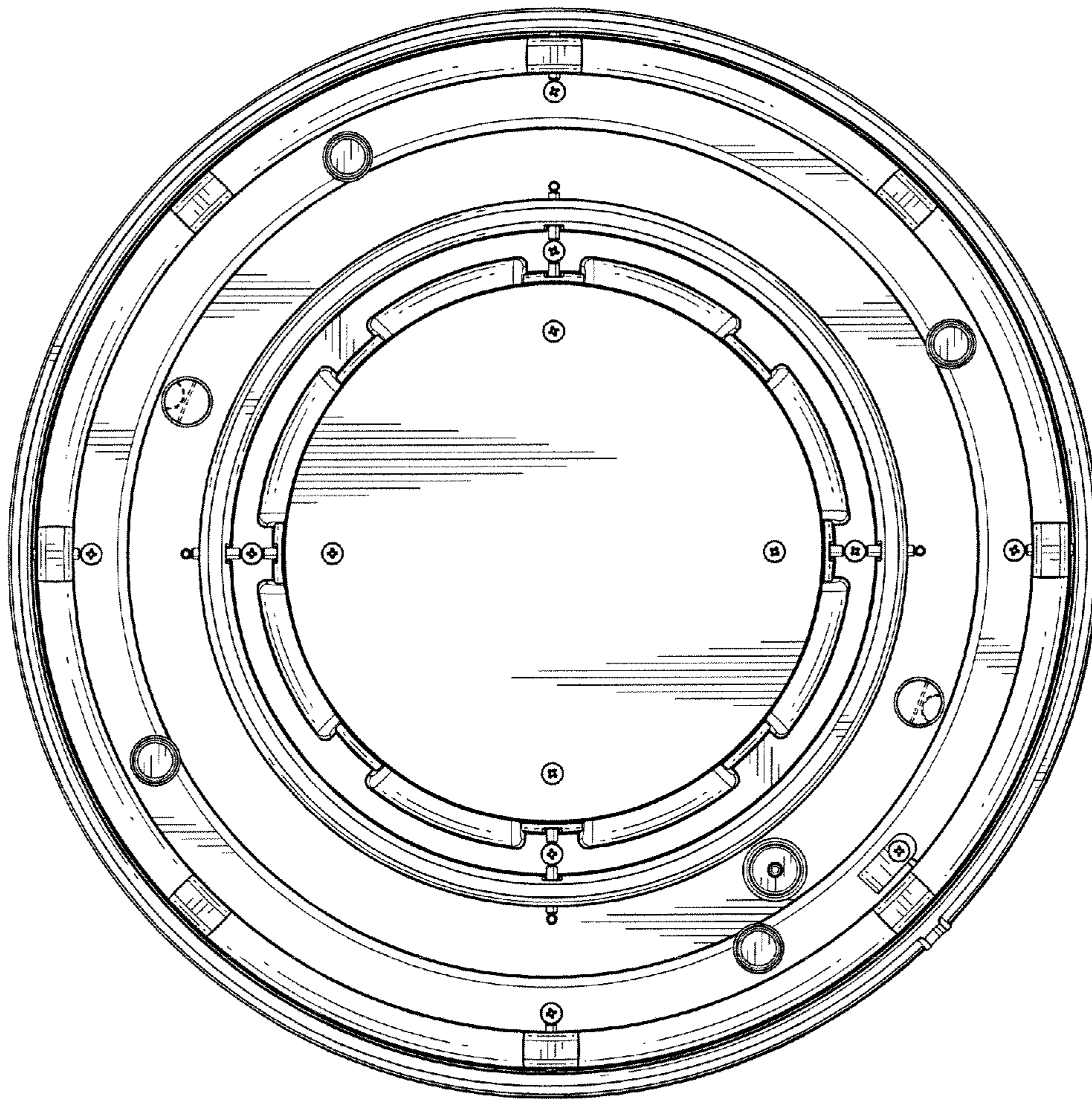


FIG.7

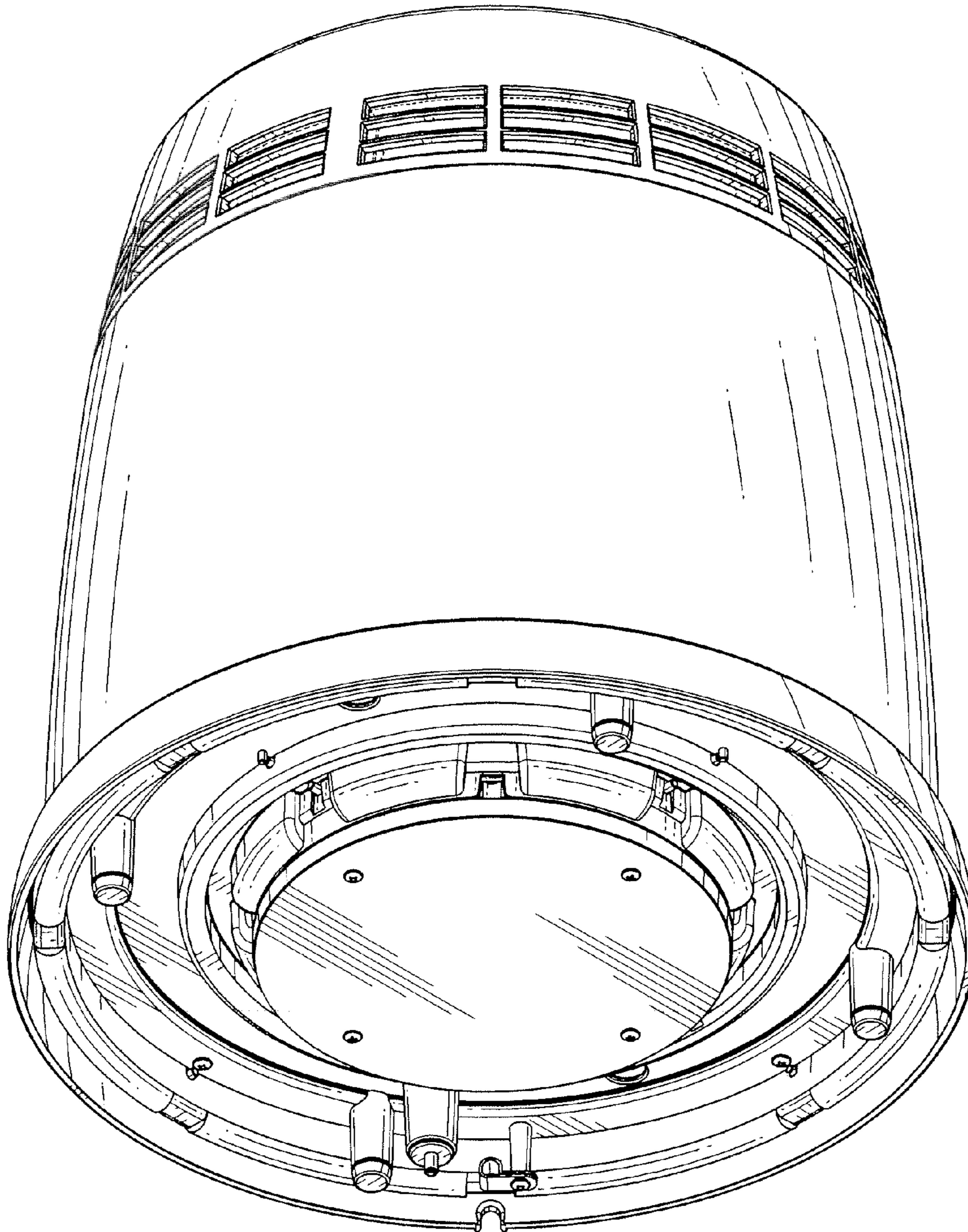


FIG. 8