



US00D777307S

(12) **United States Design Patent**  
**Rocha**

(10) **Patent No.:** **US D777,307 S**

(45) **Date of Patent:** **\*\* Jan. 24, 2017**

- (54) **BARREL BASE FIRE PIT TABLE**
- (71) Applicant: **Carol Rocha**, Folsom, CA (US)
- (72) Inventor: **Carol Rocha**, Folsom, CA (US)
- (\*\*) Term: **14 Years**
- (21) Appl. No.: **29/524,584**
- (22) Filed: **Apr. 21, 2015**
- (51) **LOC (10) Cl.** ..... **23-03**
- (52) **U.S. Cl.**  
USPC ..... **D23/343**
- (58) **Field of Classification Search**  
USPC ..... D23/314, 317, 332, 338, 339, 340, 342,  
D23/343, 346, 403; D6/486, 688.12,  
D6/688.19, 688.21, 692, 685, 696.1;  
D7/335, 337, 332, 333, 334; 126/523,  
126/527, 536, 544, 555, 25 R, 58, 8, 512,  
126/92 R, 519, 41 R, 29, 25 AA  
CPC ..... A47J 37/0781  
See application file for complete search history.

- D590,201 S \* 4/2009 Zagar ..... D7/335
- D679,791 S \* 4/2013 Lowsky ..... D23/343
- D684,891 S \* 6/2013 Team ..... D11/149
- D690,405 S \* 9/2013 Lowsky ..... D23/343
- D742,490 S \* 11/2015 Jepson ..... D23/343
- 2013/0014743 A1\* 1/2013 Glanville ..... A47J 37/0704  
126/25 R
- 2013/0255659 A1\* 10/2013 Fulp ..... A47J 37/0781  
126/25 R

\* cited by examiner

*Primary Examiner* — David Muller  
*Assistant Examiner* — Ania Aman

(57) **CLAIM**

The ornamental design for barrel base fire pit table, as shown and described.

**DESCRIPTION**

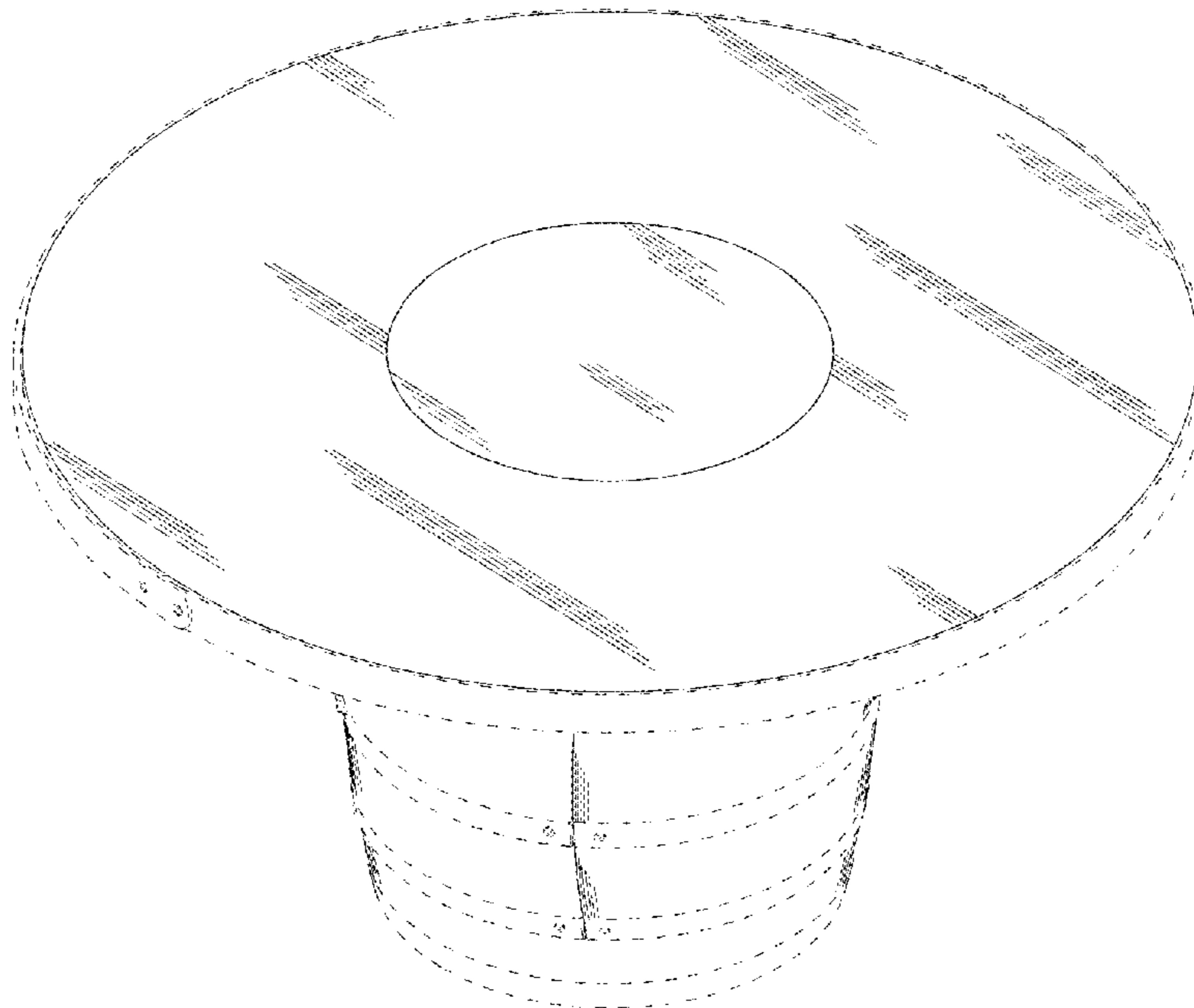
FIG. 1 is a perspective view of a barrel base fire pit table showing my new design;  
 FIG. 2 is a front elevational view thereof;  
 FIG. 3 is a rear elevational view thereof;  
 FIG. 4 is a left side elevational view thereof;  
 FIG. 5 is a right side elevational view thereof;  
 FIG. 6 is a top plan view thereof;  
 FIG. 7 is a bottom plan view thereof;  
 FIG. 8 is an exploded perspective view; and,  
 FIG. 9 is a top plan view thereof with the cover disengaged from the top.  
 The broken lines shown in the drawings are for the purpose of illustrating portions of the article that form no part of the claimed design.

(56) **References Cited**

U.S. PATENT DOCUMENTS

- D162,083 S \* 2/1951 Pruetzel ..... D23/314
- D244,031 S \* 4/1977 Baughman ..... D23/348
- D286,002 S \* 10/1986 Brix ..... D7/332
- 5,168,796 A \* 12/1992 Porton ..... A47J 37/0781  
108/50.13
- D389,009 S \* 1/1998 Baykal ..... D7/335
- D394,779 S \* 6/1998 Hilvitz ..... D7/335
- 5,775,315 A \* 7/1998 Baykal ..... A47J 37/0781  
126/25 R
- 6,065,466 A \* 5/2000 Baykal ..... A47J 37/0781  
108/50.12

**1 Claim, 9 Drawing Sheets**



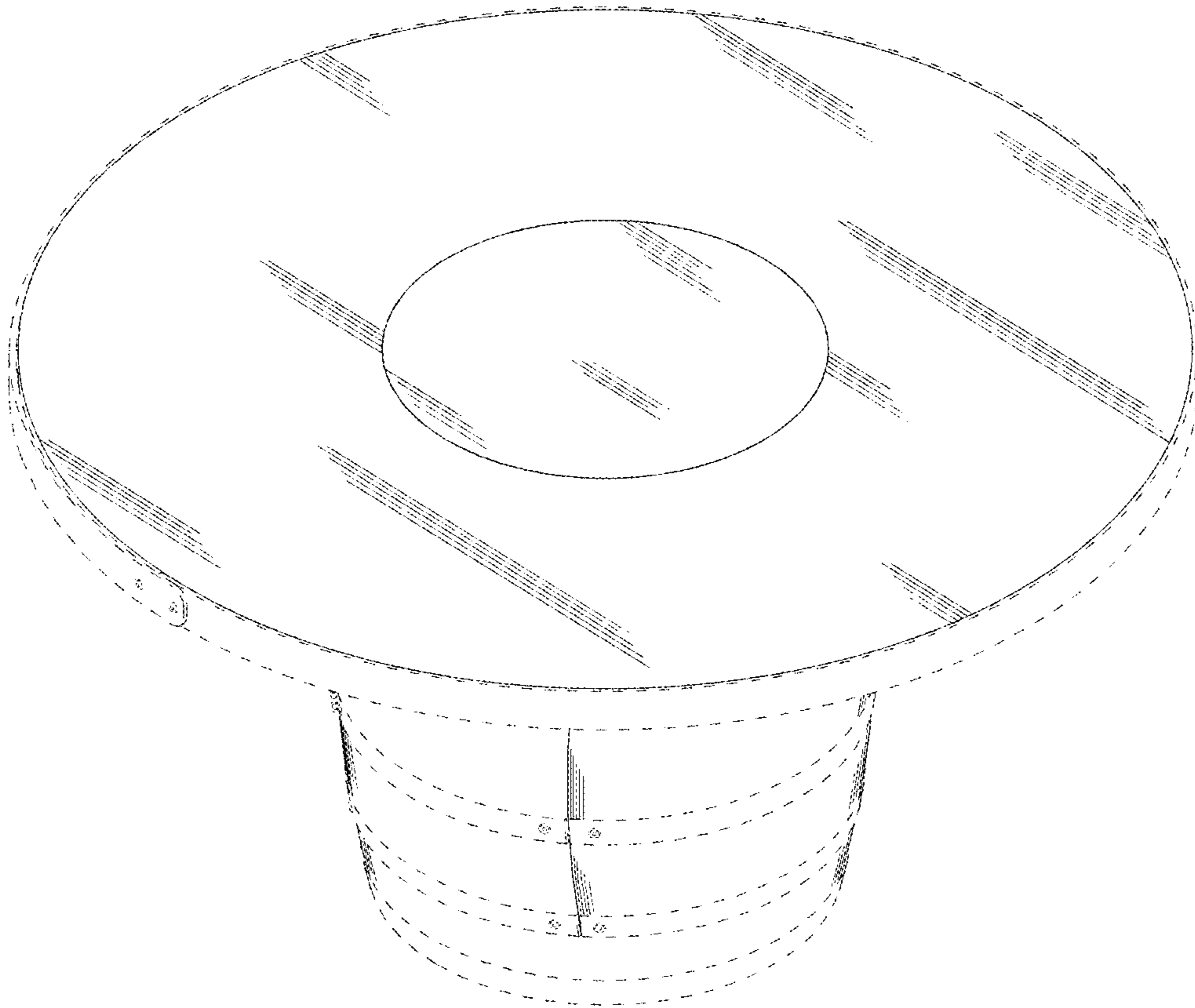


FIG. 1

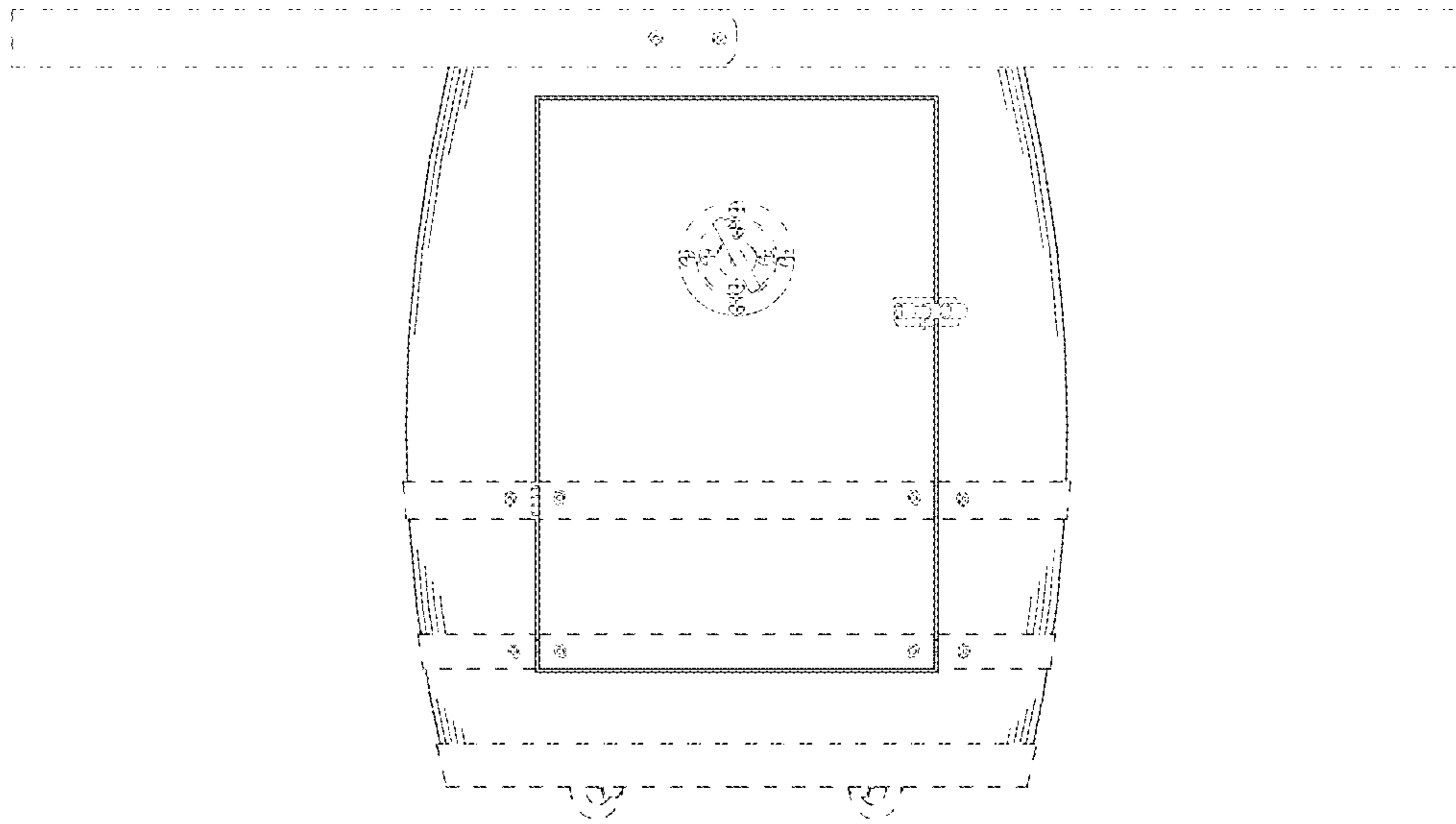


FIG. 2

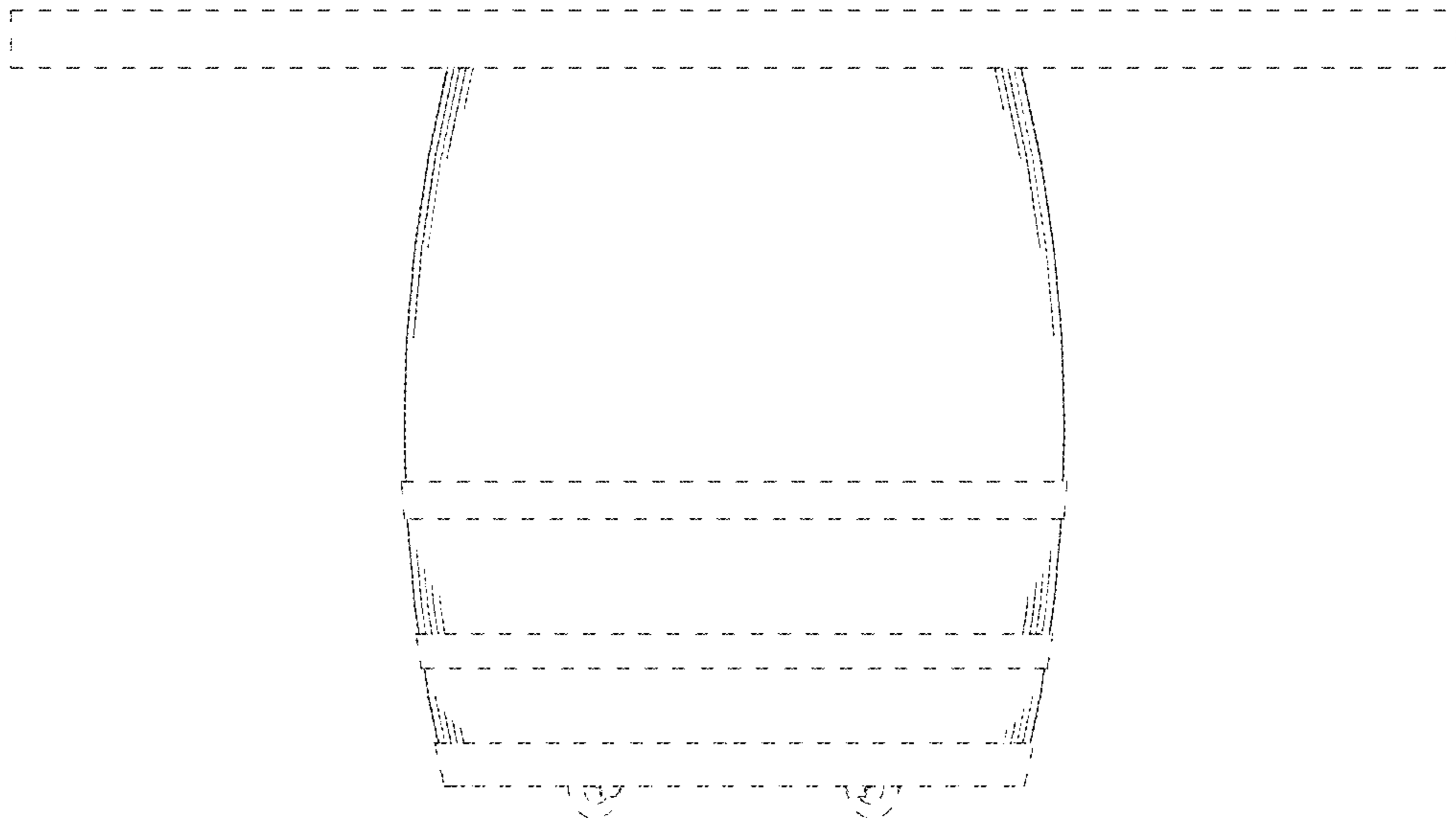


FIG. 3

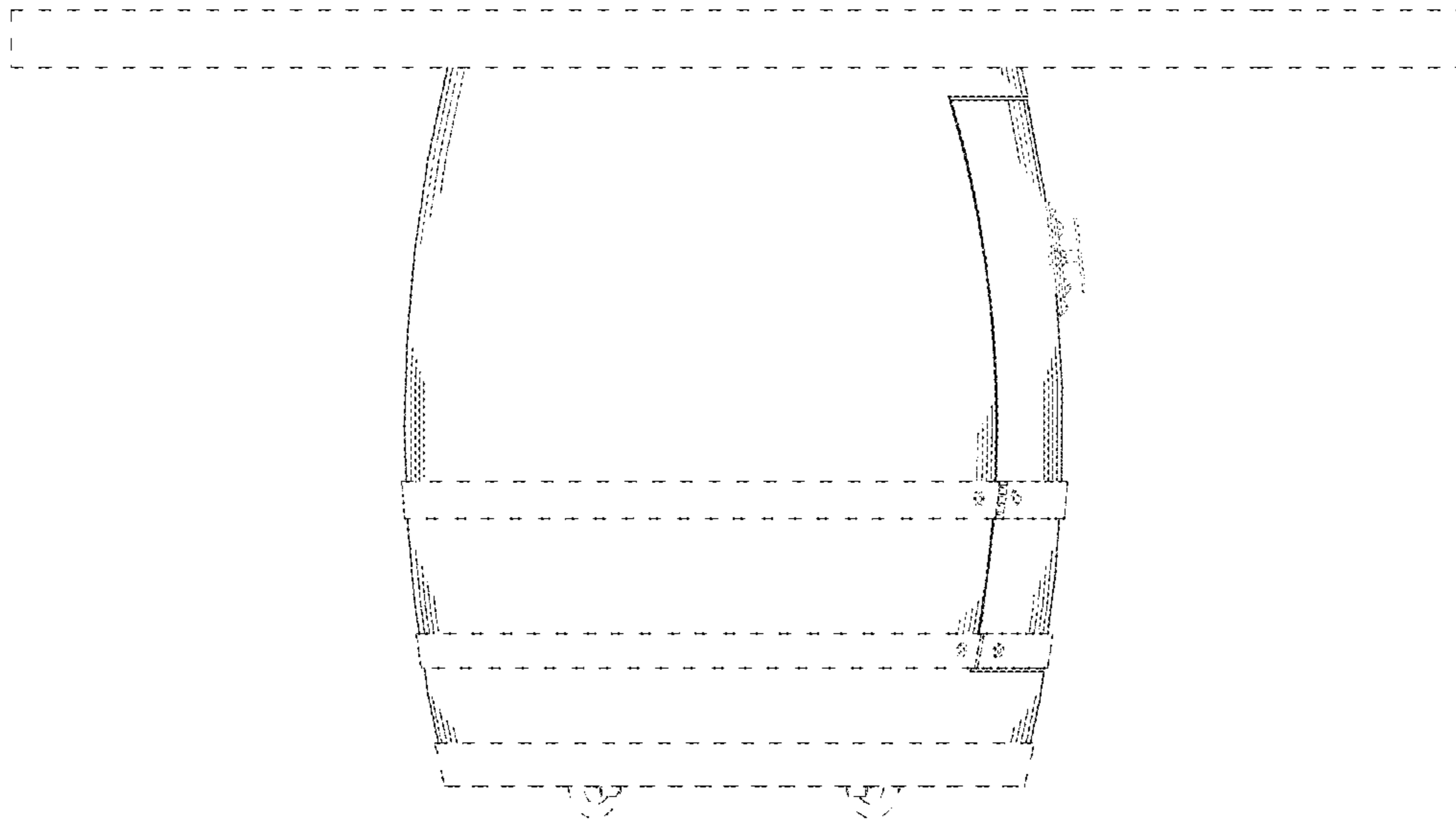


FIG. 4

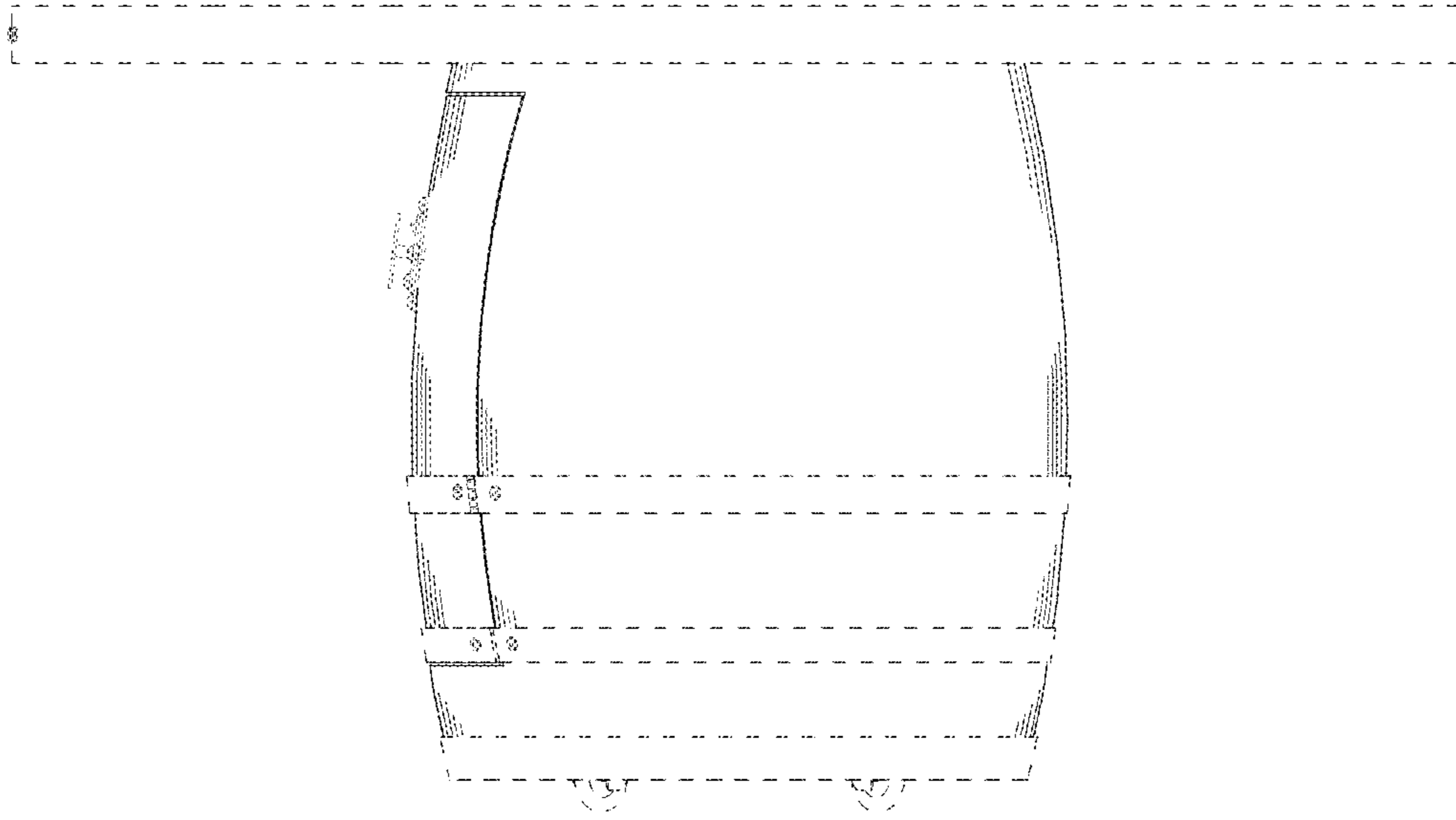


FIG. 5

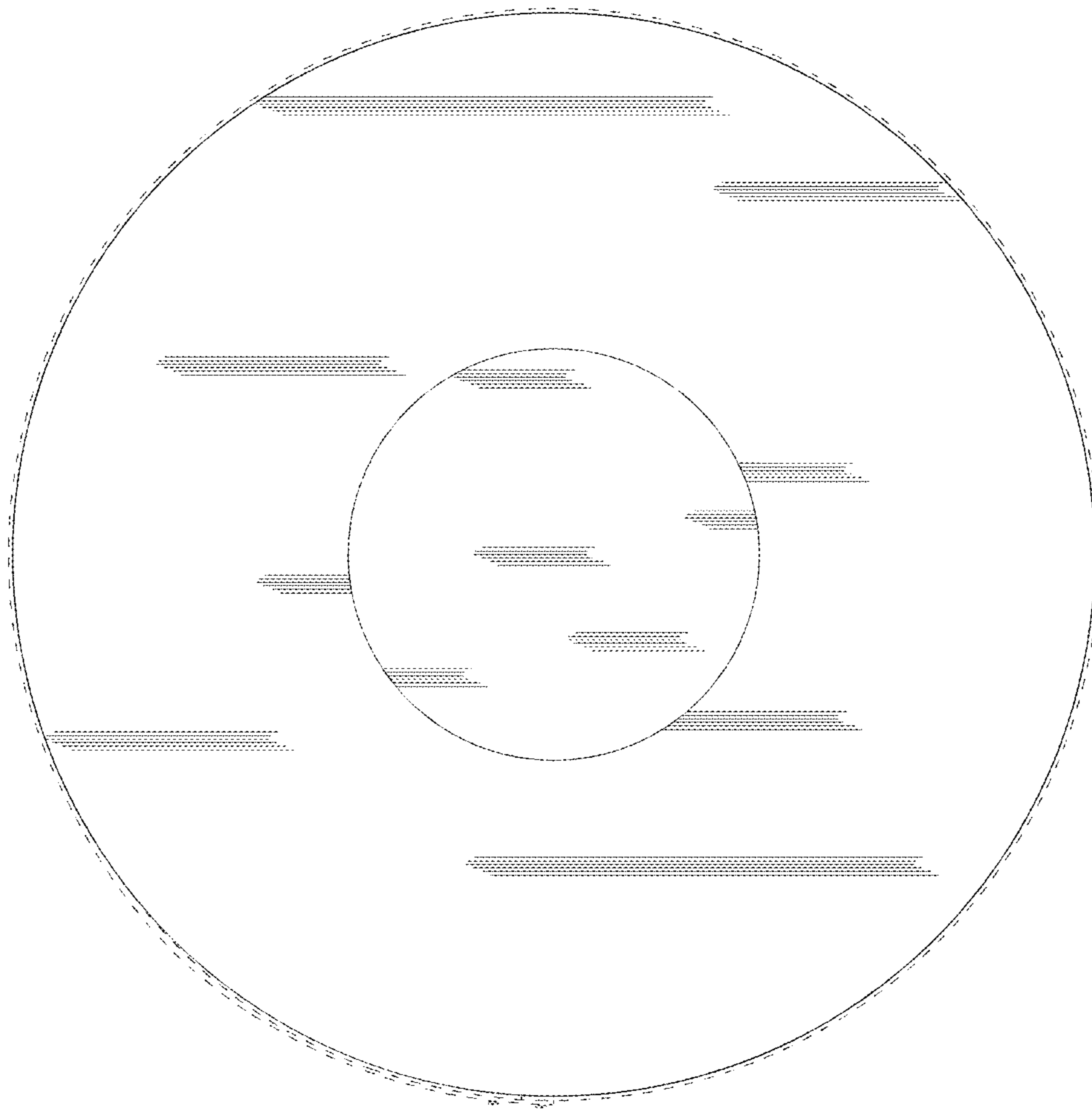


FIG. 6

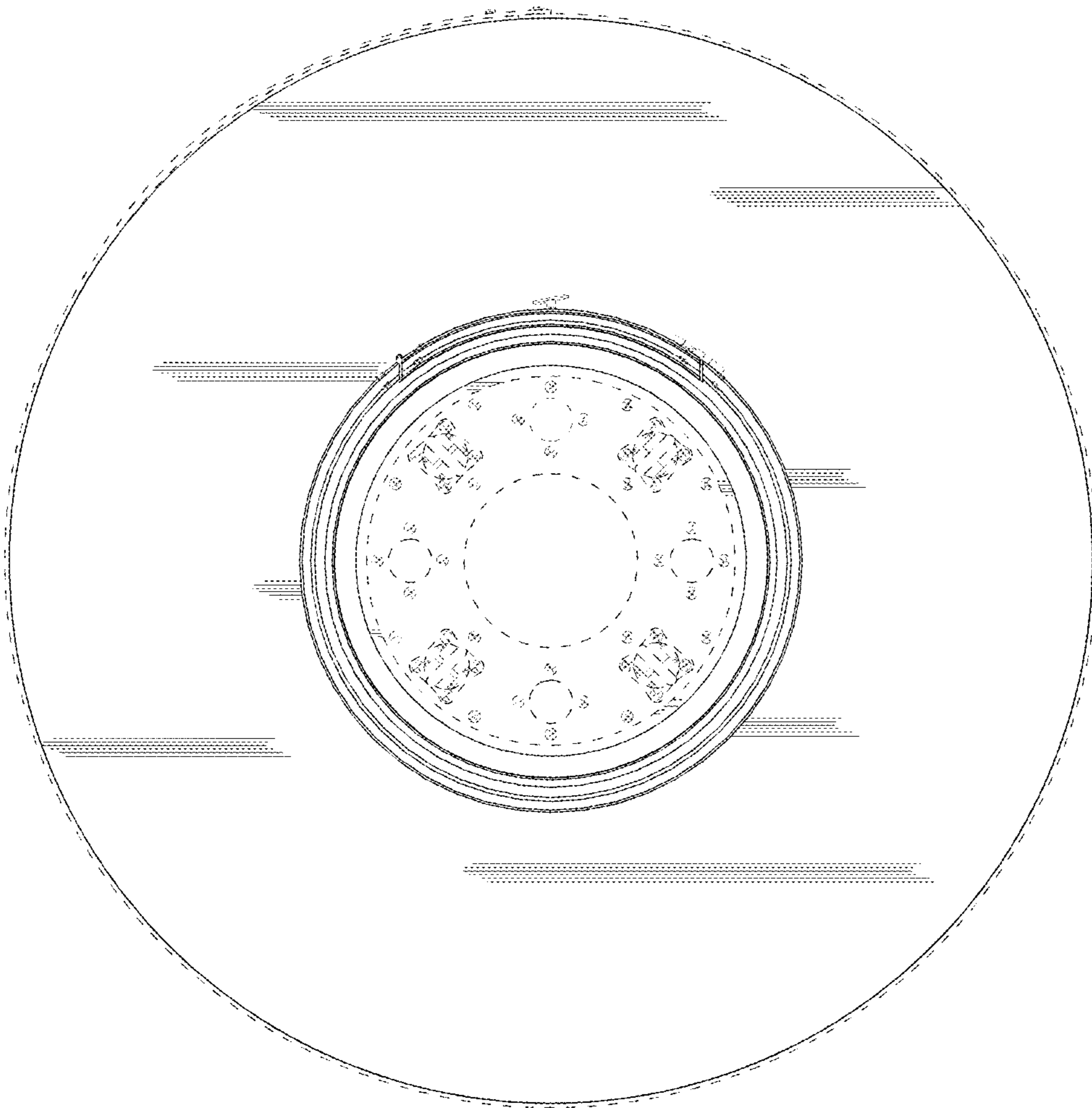


FIG. 7



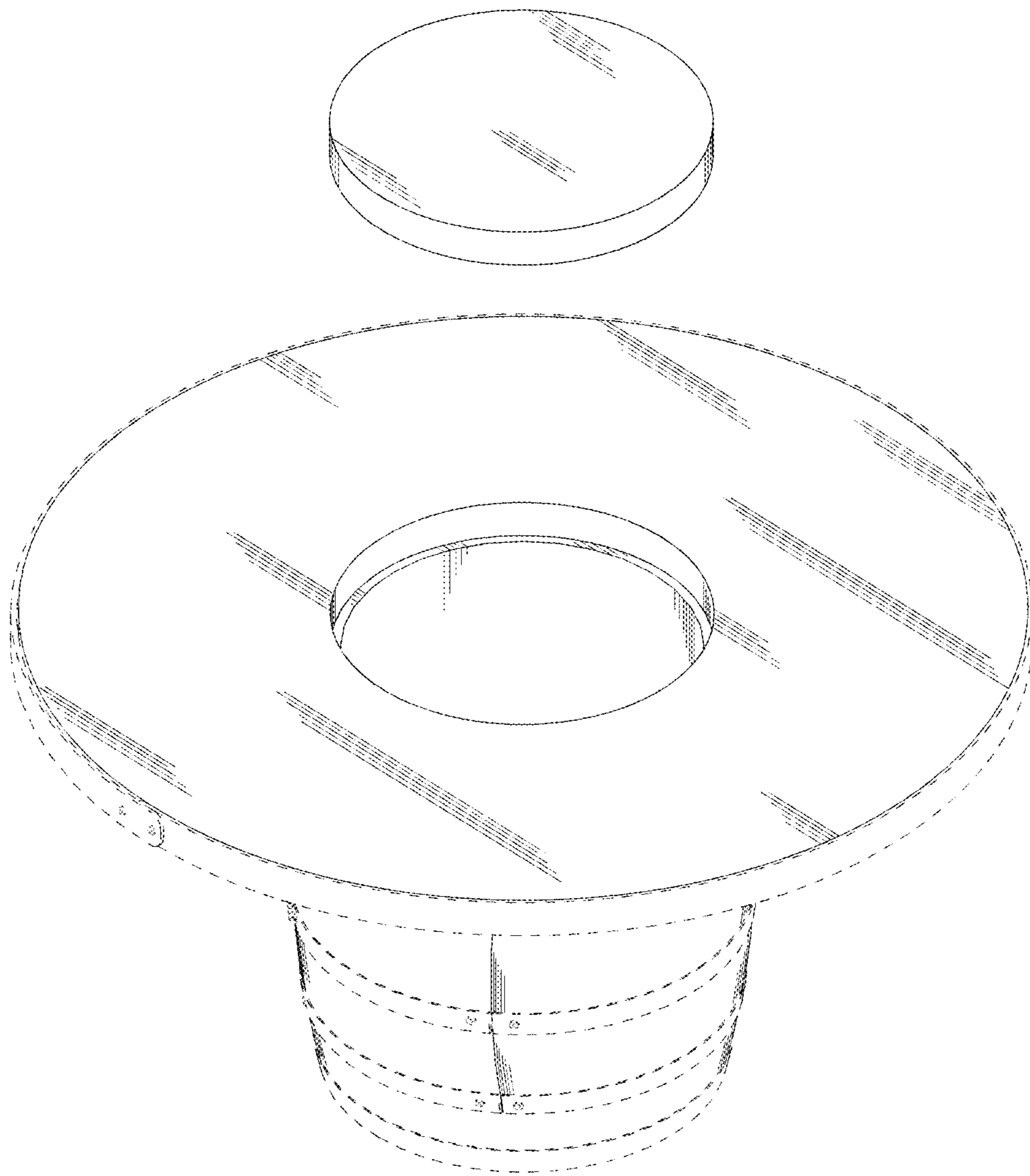


FIG. 8

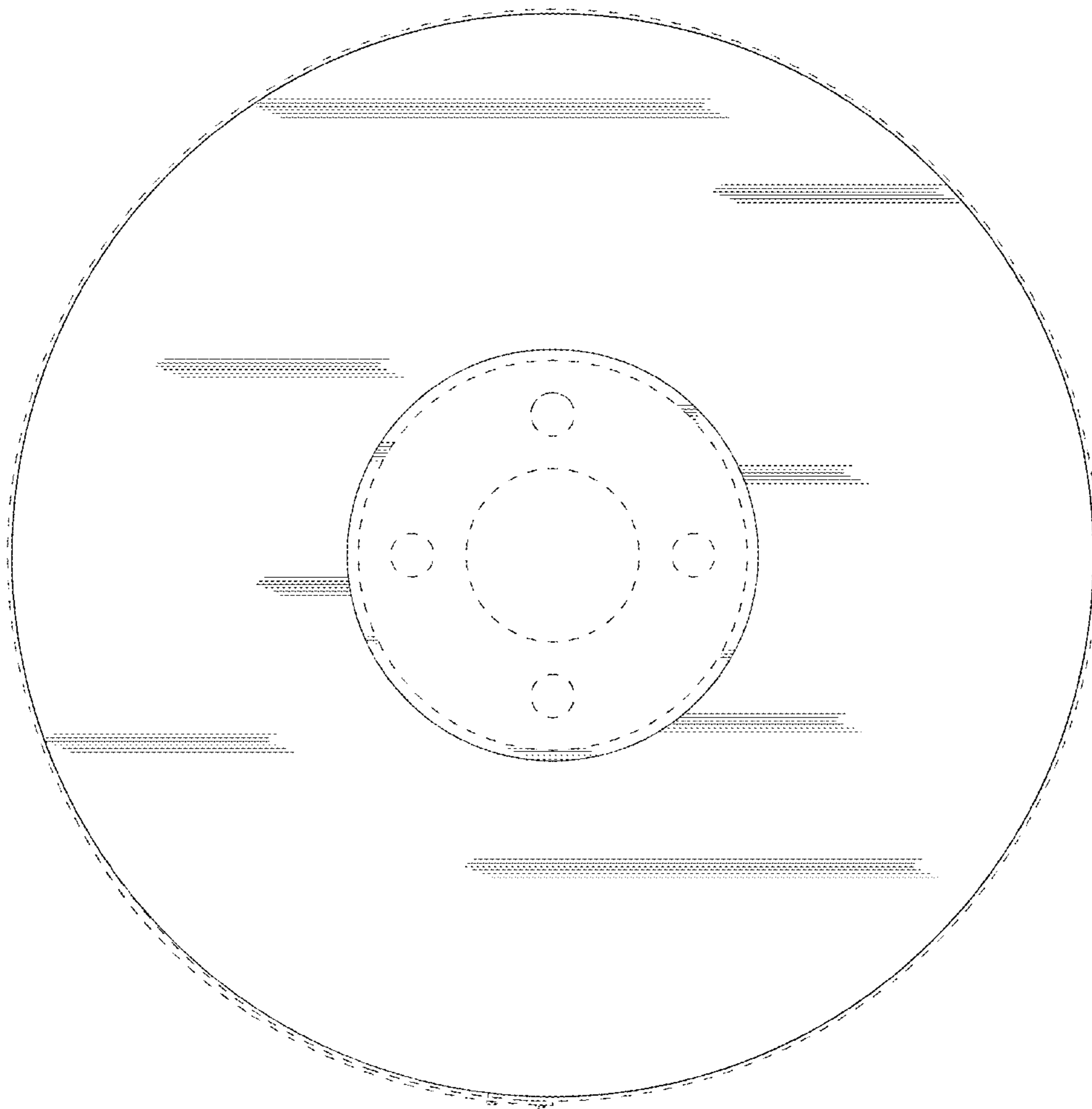


FIG. 9