



US00D777306S

(12) **United States Design Patent**
Wu et al.

(10) **Patent No.:** **US D777,306 S**

(45) **Date of Patent:** **** Jan. 24, 2017**

(54) **WALL HANGING AIR CONDITIONER**

(56) **References Cited**

(71) Applicant: **GREE ELECTRIC APPLIANCES, INC. OF ZHUHAI**, Qianshan Zhuhai (CN)

(72) Inventors: **Xueqiao Wu**, Qianshan Zhuhai (CN);
Huanlong Wu, Qianshan Zhuhai (CN);
Liang Li, Qianshan Zhuhai (CN)

(73) Assignee: **Gree Electric Appliances, Inc. of Zhuhai**, Qianshan Zhuhai, Guangdong (CN)

(**) Term: **14 Years**

(21) Appl. No.: **29/507,090**

(22) Filed: **Oct. 23, 2014**

(30) **Foreign Application Priority Data**

May 12, 2014 (CN) 2014 3 0127739

(51) **LOC (10) Cl.** **23-04**

(52) **U.S. Cl.**
USPC **D23/333**

(58) **Field of Classification Search**
USPC D23/314, 317, 324, 328, 329, 330, 332,
D23/333, 335, 341, 342, 351, 353, 354,
D23/355, 356, 359, 364, 365, 370, 385,
D23/386, 388, 393
CPC F24F 1/00; F24F 1/0007; F24F 1/02;
F24F 1/08; F24F 1/42; F24F 1/56; F24F
1/60; F24F 3/044; F24F 3/048; F24F 3/16;
F24F 7/00; F24F 7/04; F24F
12/001; F24F 12/006

See application file for complete search history.

U.S. PATENT DOCUMENTS

D536,430 S *	2/2007	Miyake	D23/351
D571,907 S *	6/2008	Choi	D23/351
D580,534 S *	11/2008	Oh	D23/351
D584,806 S *	1/2009	Oh	D23/351
D676,119 S *	2/2013	Baek	D23/351
D685,072 S *	6/2013	Li	D23/351
D735,308 S *	7/2015	Chen	D23/351
D740,404 S *	10/2015	Li	D23/351
D744,076 S *	11/2015	Xu	D23/351

* cited by examiner

Primary Examiner — George D Kirschbaum

Assistant Examiner — Natasha Vujcic

(74) *Attorney, Agent, or Firm* — Sheppard Mullin Richter & Hampton LLP

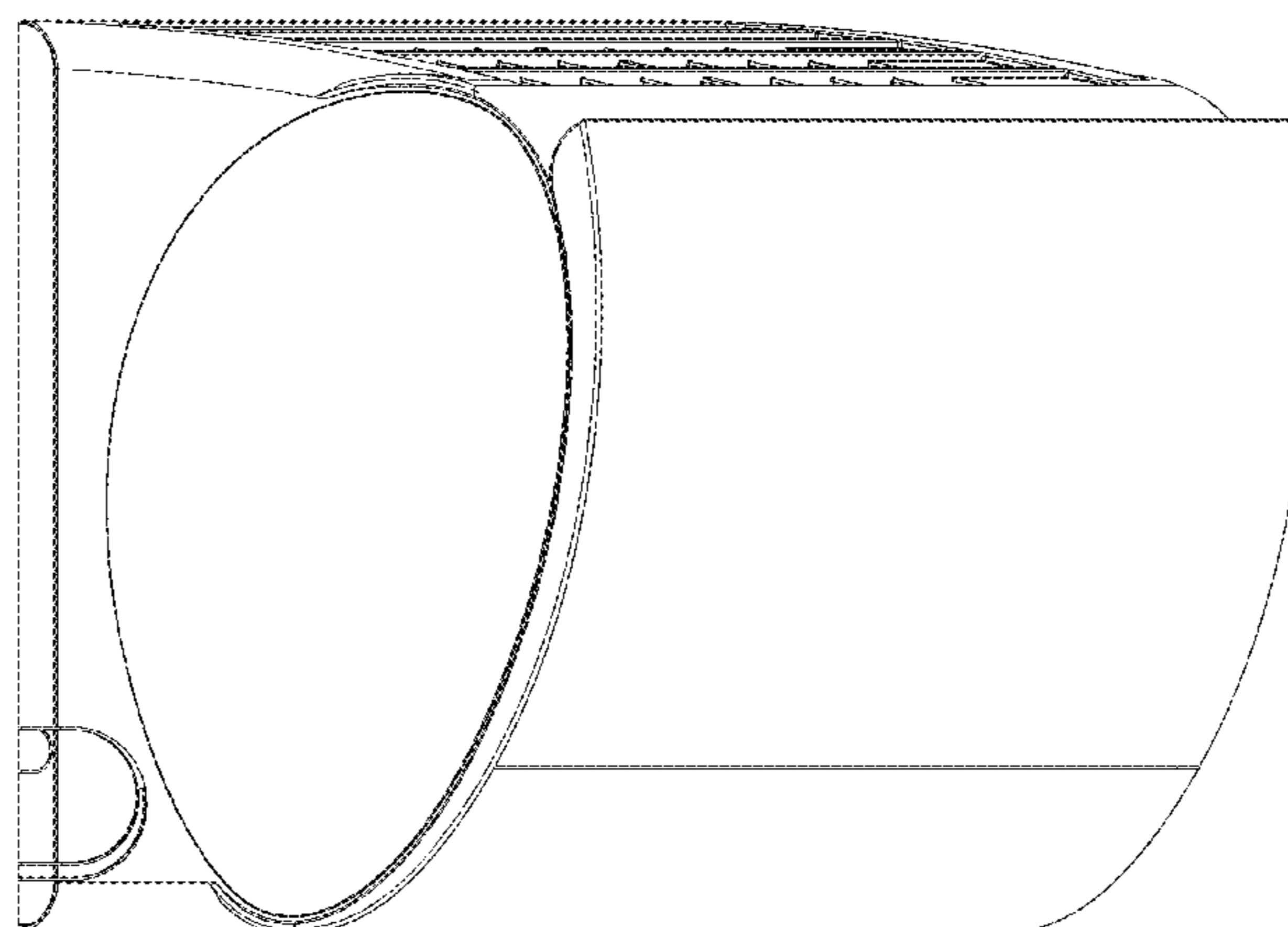
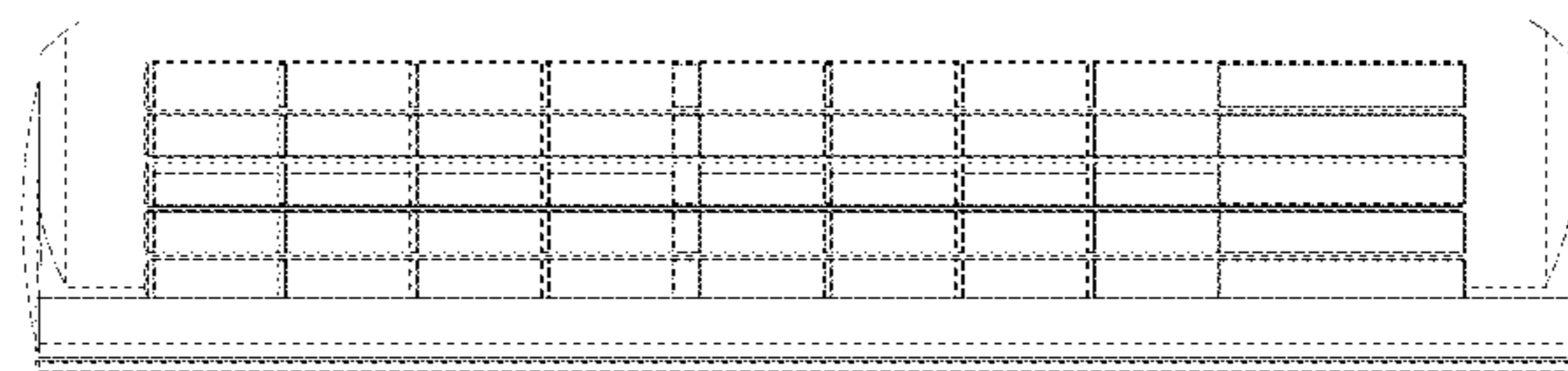
(57) **CLAIM**

The ornamental design for a wall hanging air conditioner, as shown and described.

DESCRIPTION

FIG. 1 is a front elevation view of a wall hanging air conditioner, in accordance with the invention; FIG. 2 is a rear elevation view thereof; FIG. 3 is a left side elevation view thereof; FIG. 4 is a right side elevation view thereof; FIG. 5 is a top plan view thereof; FIG. 6 is a bottom plan view thereof; and, FIG. 7 is a top, front and left side perspective view thereof. The ornamental design which is claimed is shown in solid lines in the drawings. The broken lines in the drawings illustrate portions of the wall hanging air conditioner, which form no part of the claimed design.

1 Claim, 7 Drawing Sheets



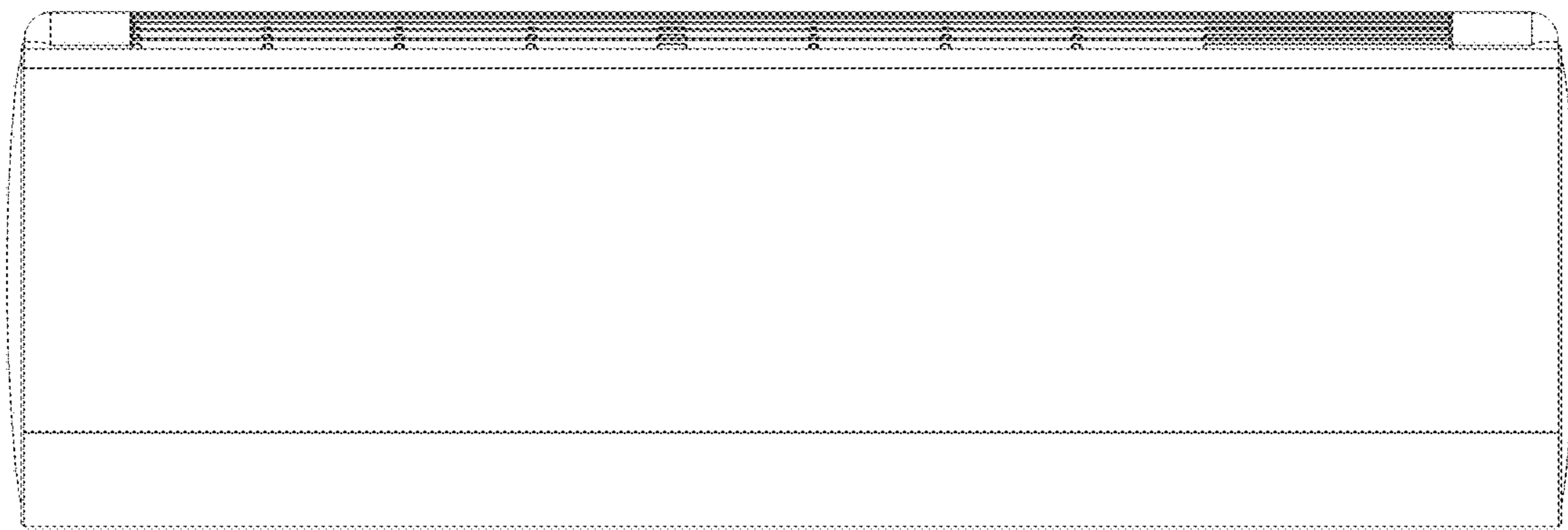


FIG. 1



FIG. 2

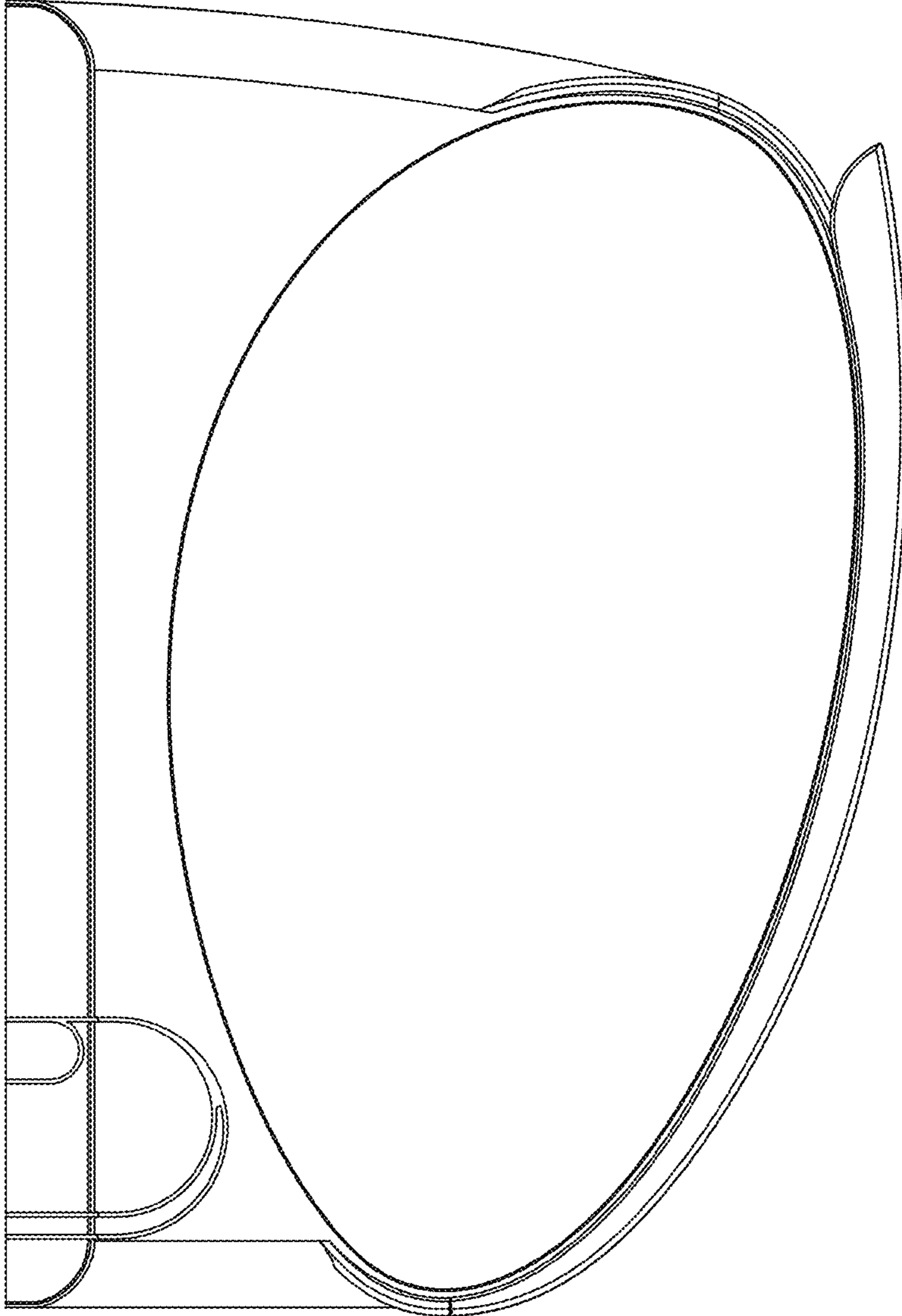


FIG. 3

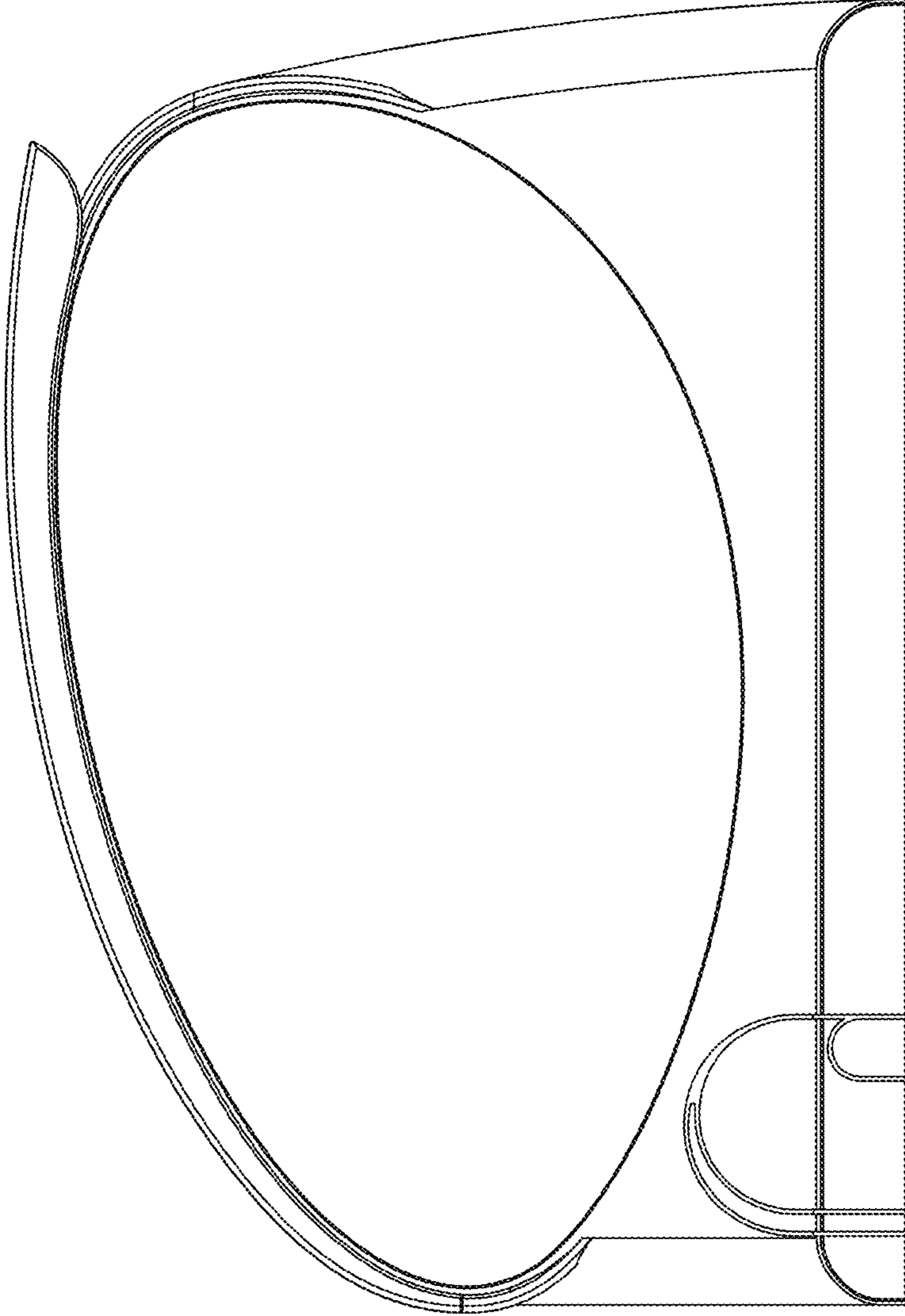


FIG. 4

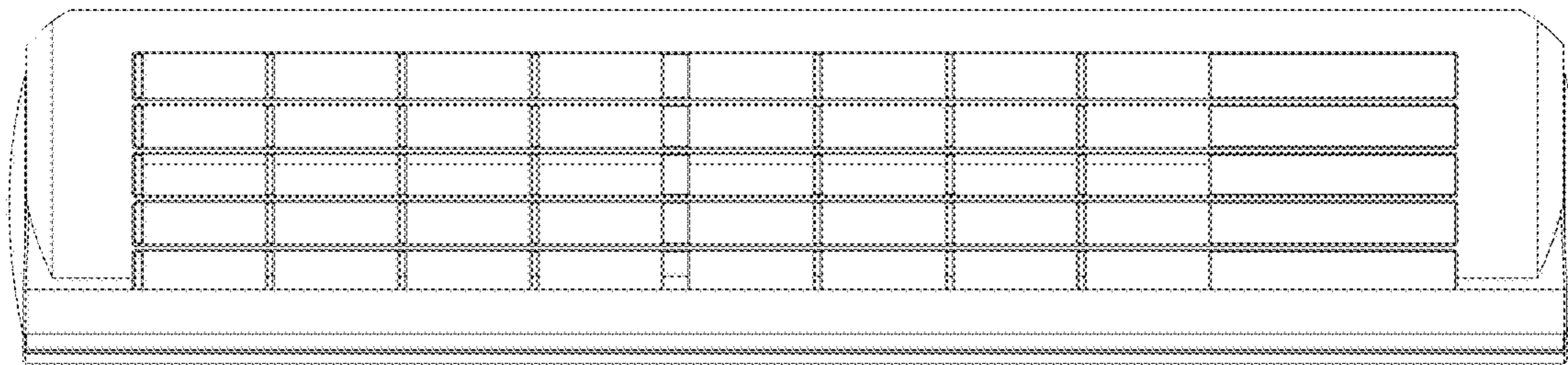


FIG. 5



FIG. 6

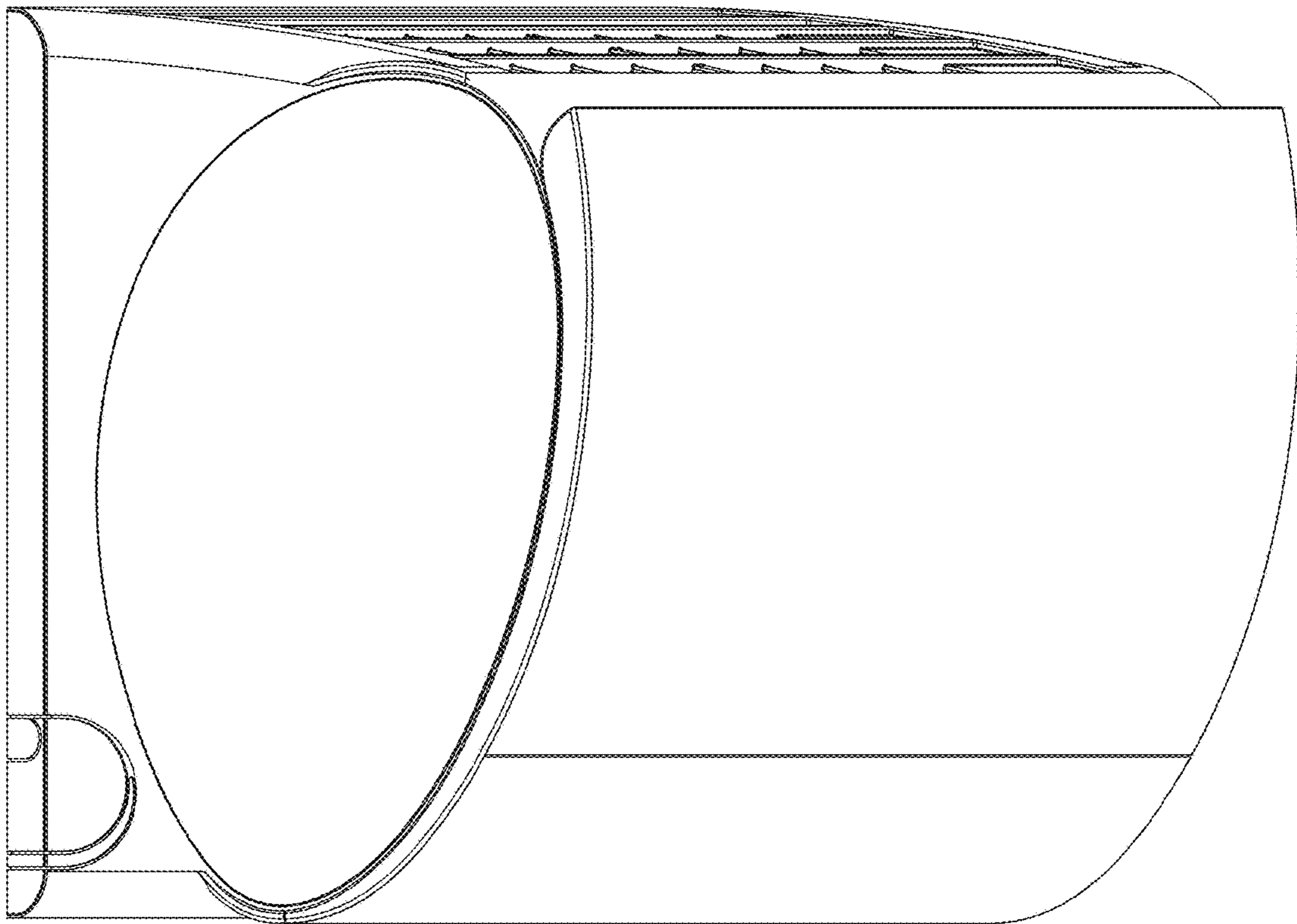


FIG. 7