



US00D777305S

(12) **United States Design Patent**
Lao

(10) **Patent No.:** **US D777,305 S**
(45) **Date of Patent:** **** Jan. 24, 2017**

- (54) **DROP IN SINK**
- (71) Applicant: **Ronbow Corporation**, Fremont, CA (US)
- (72) Inventor: **Joan Lao**, Barcelona (ES)
- (73) Assignee: **RONBOW CORPORATION**, Fremont, CA (US)
- (**) Term: **15 Years**
- (21) Appl. No.: **29/564,529**
- (22) Filed: **May 13, 2016**
- (51) **LOC (10) Cl.** **23-02**
- (52) **U.S. Cl.**
USPC **D23/293.1**
- (58) **Field of Classification Search**
USPC D23/272-274, 284, 286, 293.1, 303, 308
CPC E03D 11/12; E03C 1/14; E03C 1/18;
E03C 1/182
See application file for complete search history.

Primary Examiner — Robert Delehanty
(74) *Attorney, Agent, or Firm* — Thomas Schneck

(57) **CLAIM**

I claim the design for a drop in sink, as shown and described.

DESCRIPTION

FIG. 1 is an upper front right perspective view of a drop in sink of my design, the dashed lines representing unclaimed features;

FIG. 2 is a front plan view thereof;

FIG. 3 is a rear plan view thereof;

FIG. 4 is a right side plan view thereof;

FIG. 5 is a left side plan view thereof;

FIG. 6 is a top plan view thereof, the dashed lines representing unclaimed features; and,

FIG. 7 is a bottom plan view thereof, the dashed lines representing unclaimed features.

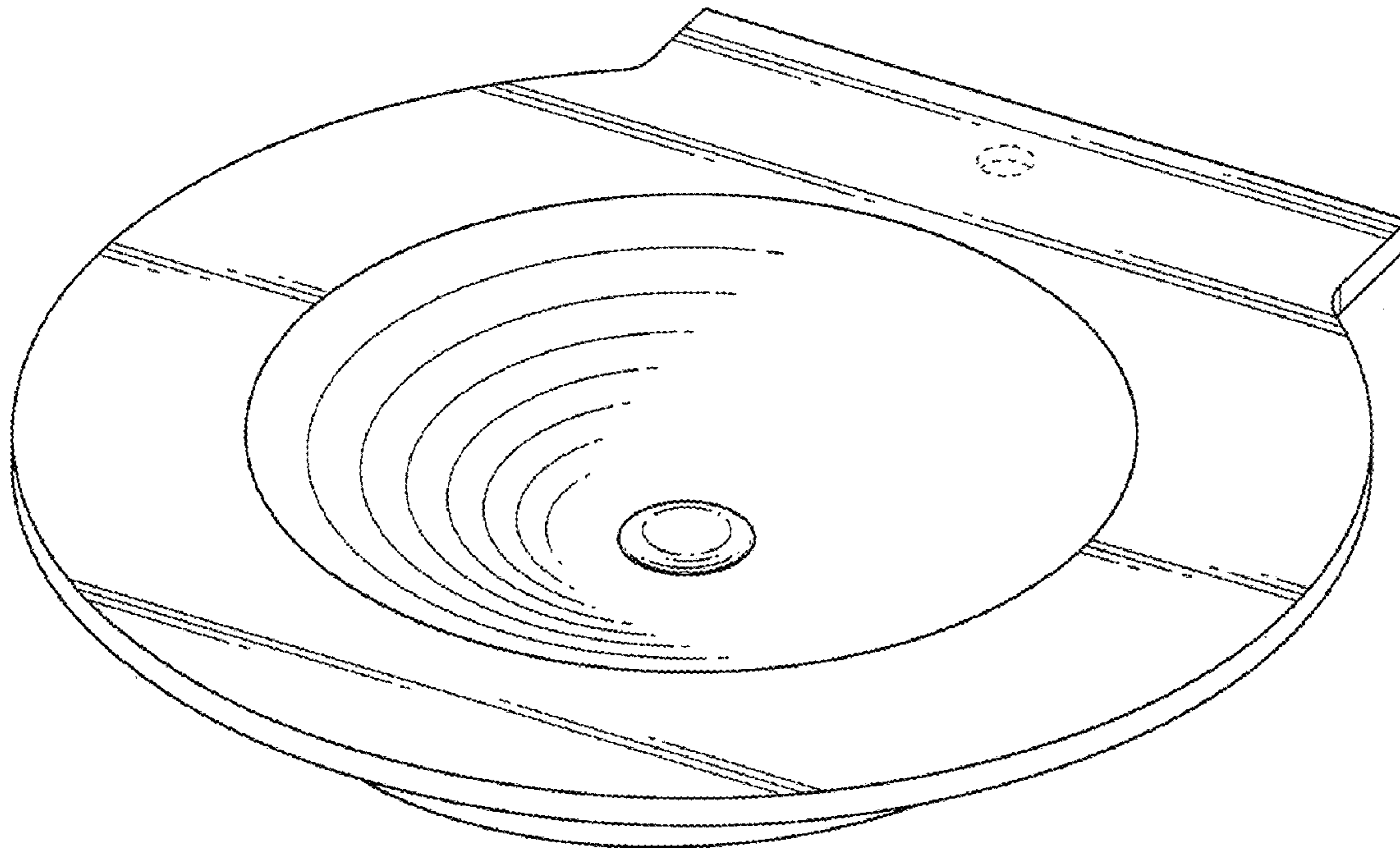
(56) **References Cited**

U.S. PATENT DOCUMENTS

- D320,066 S * 9/1991 Dannenberg D23/284
- D428,476 S * 7/2000 Abolafia D23/284
- D446,846 S * 8/2001 Ferrer Beltran D23/286

* cited by examiner

1 Claim, 3 Drawing Sheets



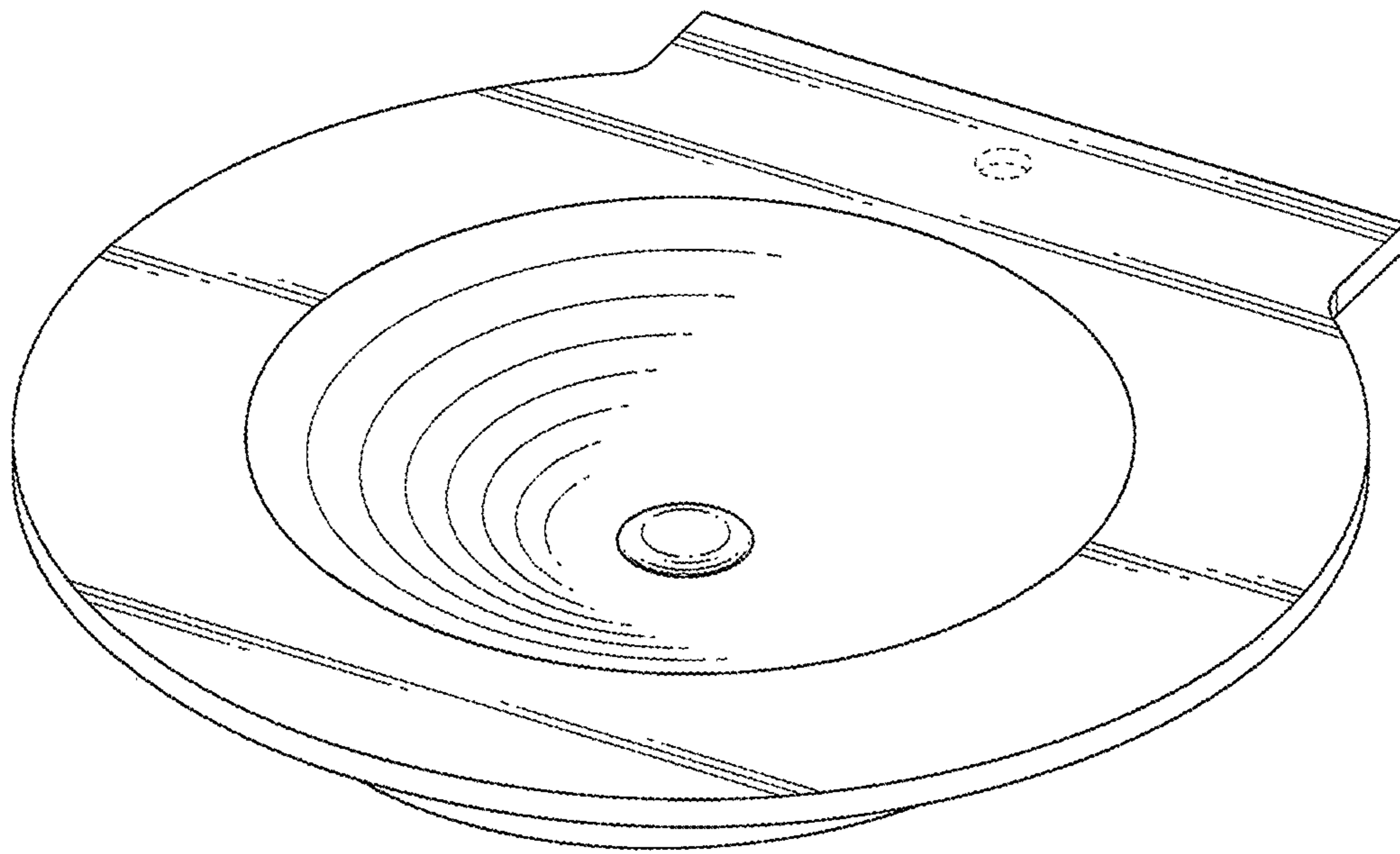


FIG. 1

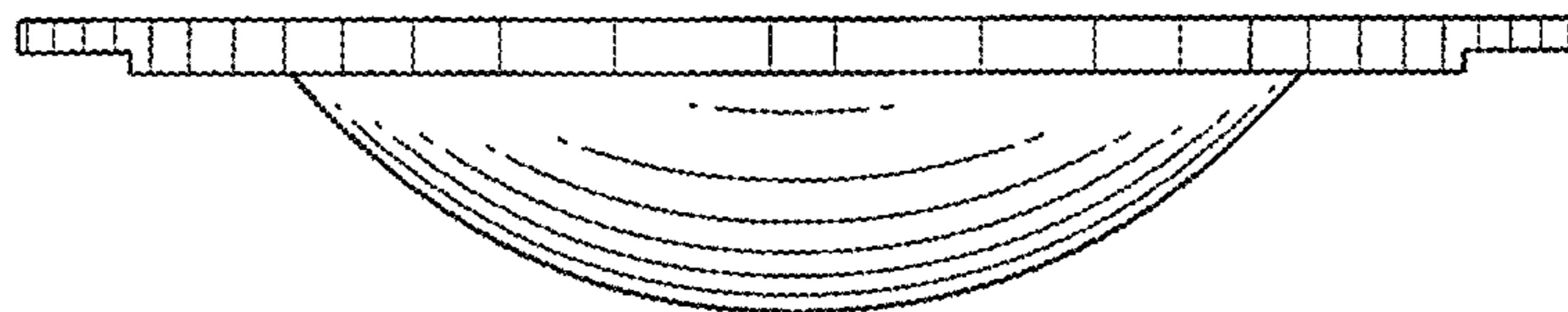


FIG. 2

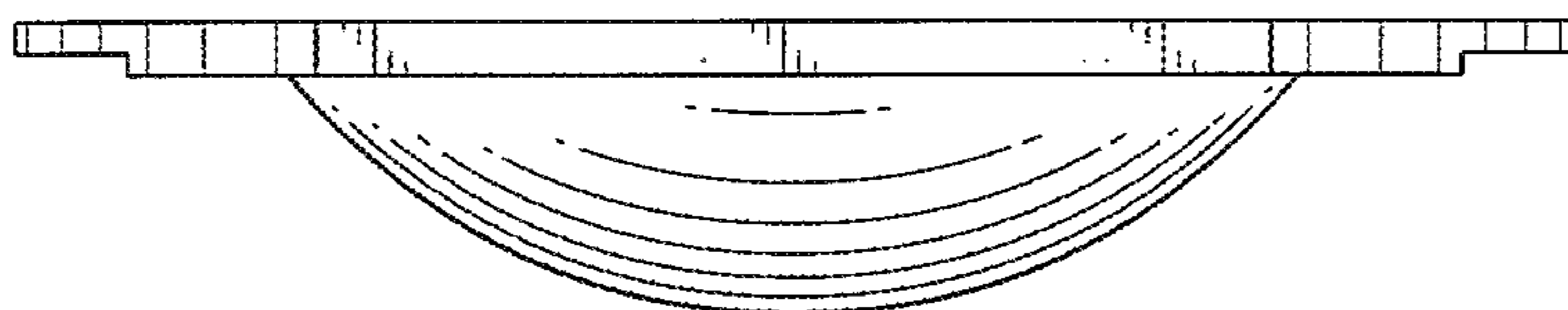


FIG. 3

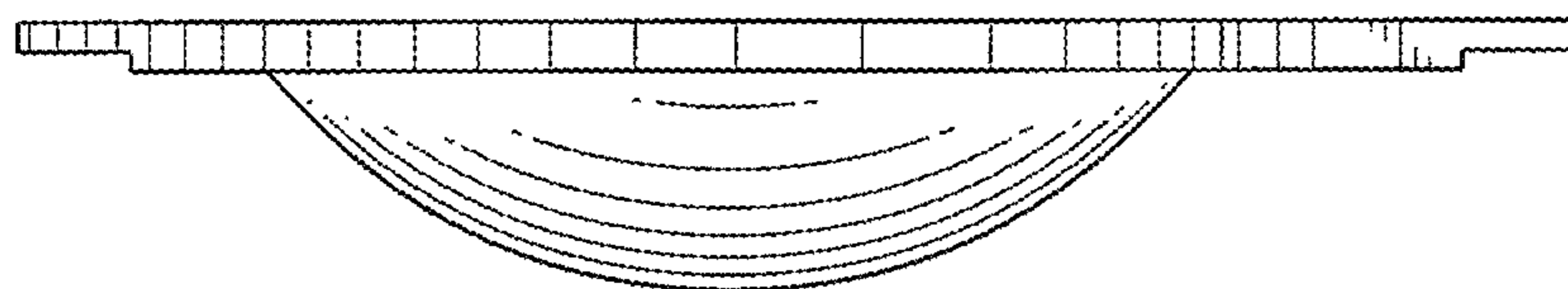


FIG. 4

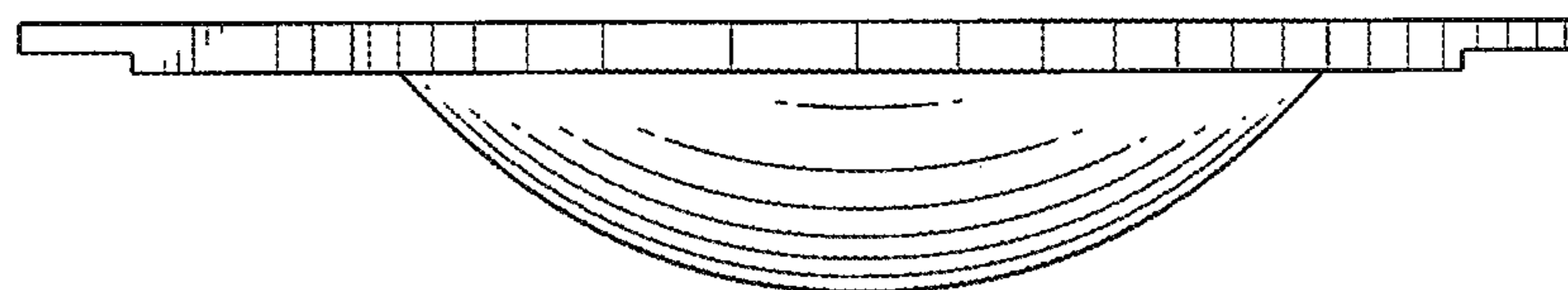


FIG. 5

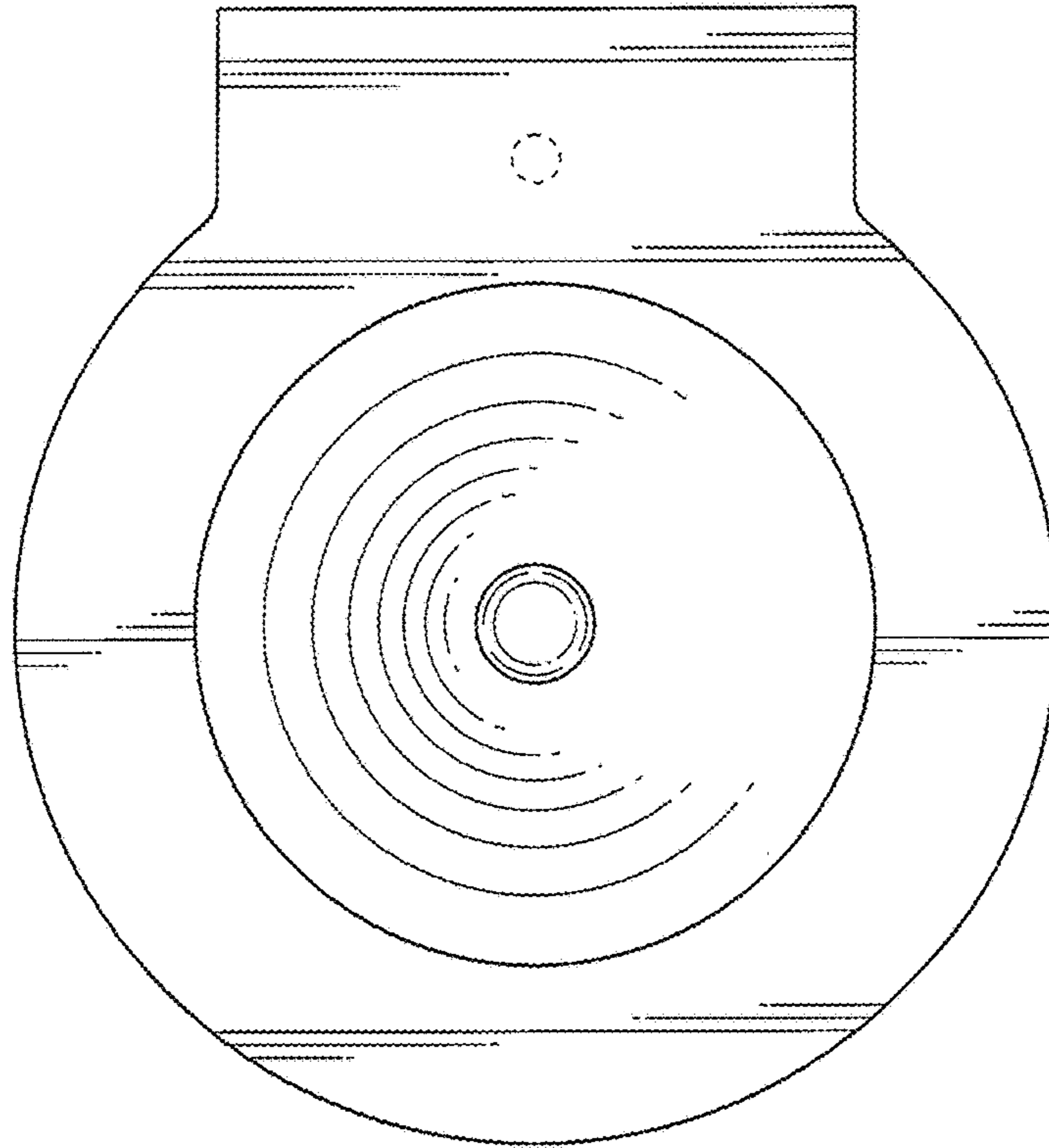


FIG. 6

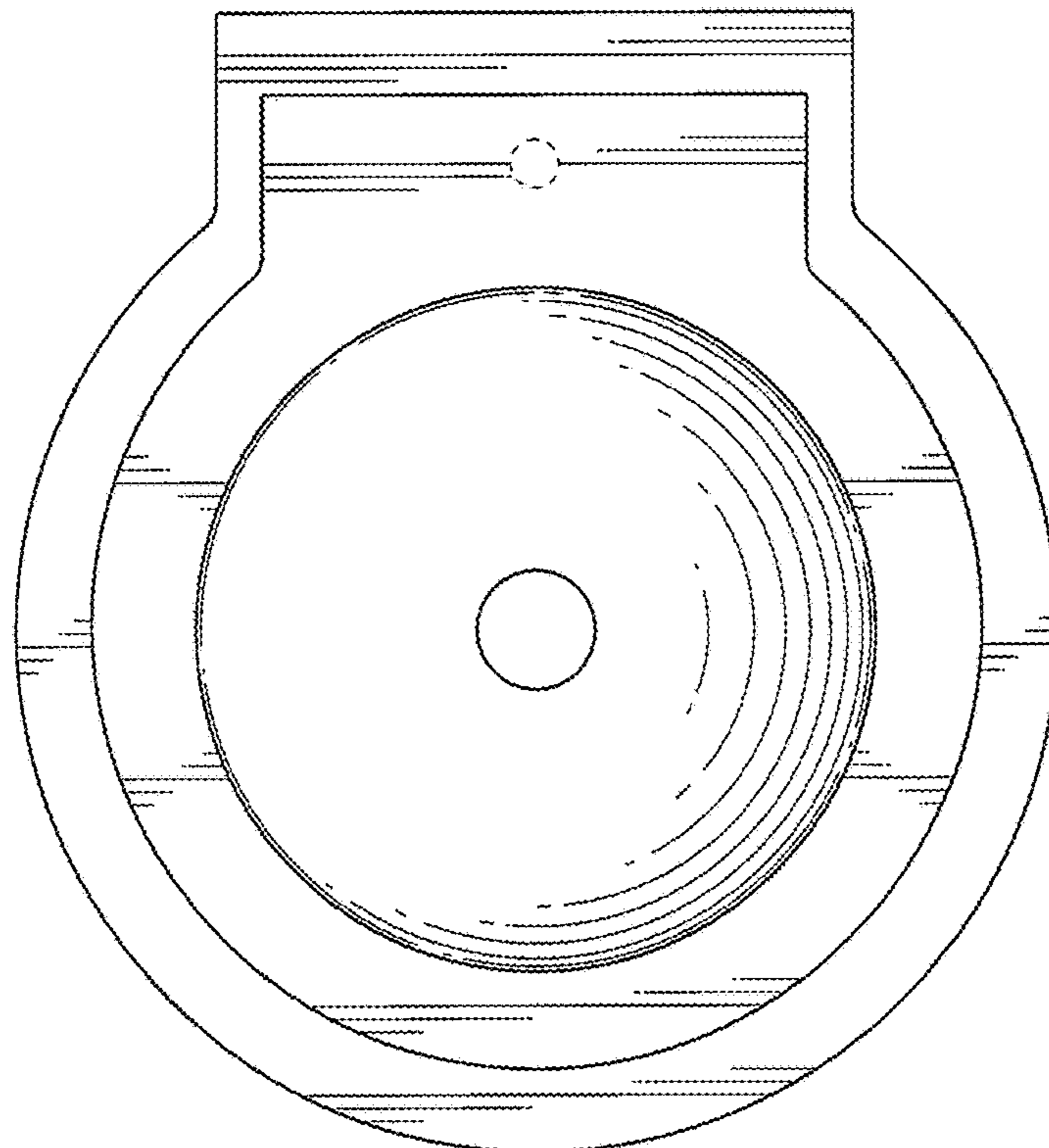


FIG. 7