



US00D777304S

(12) **United States Design Patent**
Esteve

(10) **Patent No.:** **US D777,304 S**

(45) **Date of Patent:** **** Jan. 24, 2017**

(54) **VANITY FRAME WITH SINK TOP**

D603,486 S * 11/2009 Mayer D23/293.1
D697,596 S * 1/2014 Spangler D23/293.1
D763,016 S * 8/2016 Clark D6/675

(71) Applicant: **Ronbow Corporation**, Fremont, CA
(US)

* cited by examiner

(72) Inventor: **Ramon Esteve**, Valencia (ES)

Primary Examiner — Robert Delehanty

(73) Assignee: **RONBOW CORPORATION**,
Fremont, CA (US)

(74) *Attorney, Agent, or Firm* — Thomas Schneck

(**) Term: **15 Years**

(57) **CLAIM**

I claim the design for a vanity frame with sink top, as shown and described.

(21) Appl. No.: **29/563,429**

DESCRIPTION

(22) Filed: **May 4, 2016**

(51) **LOC (10) Cl.** **23-02**

(52) **U.S. Cl.**
USPC **D23/286**

(58) **Field of Classification Search**
USPC D23/270–273, 284, 286–287, 285, 303,
D23/308; D6/655, 655.1, 656, 663, 671,
D6/668, 709, 677, 668.2, 668.1, 675
CPC E03D 11/12; E03C 1/14; E03C 1/18;
E03C 1/182

See application file for complete search history.

FIG. 1 is an upper front left perspective view of a vanity frame with sink top of my design, the dashed lines representing unclaimed features;

FIG. 2 is a front plan view thereof, the rear plan view being a mirror image thereof;

FIG. 3 is a left side plan view thereof, the right side plan view being a mirror image thereof;

FIG. 4 is a top plan view thereof;

FIG. 5 is a bottom plan view thereof;

FIG. 6 is an upper front left perspective view of a second embodiment of a vanity base with sink top of my design, the dashed lines representing unclaimed features;

FIG. 7 is a front plan view thereof, the rear plan view being a mirror image thereof;

FIG. 8 is a left side plan view thereof, the right side plan view being a mirror image thereof;

FIG. 9 is a top plan view thereof; and,

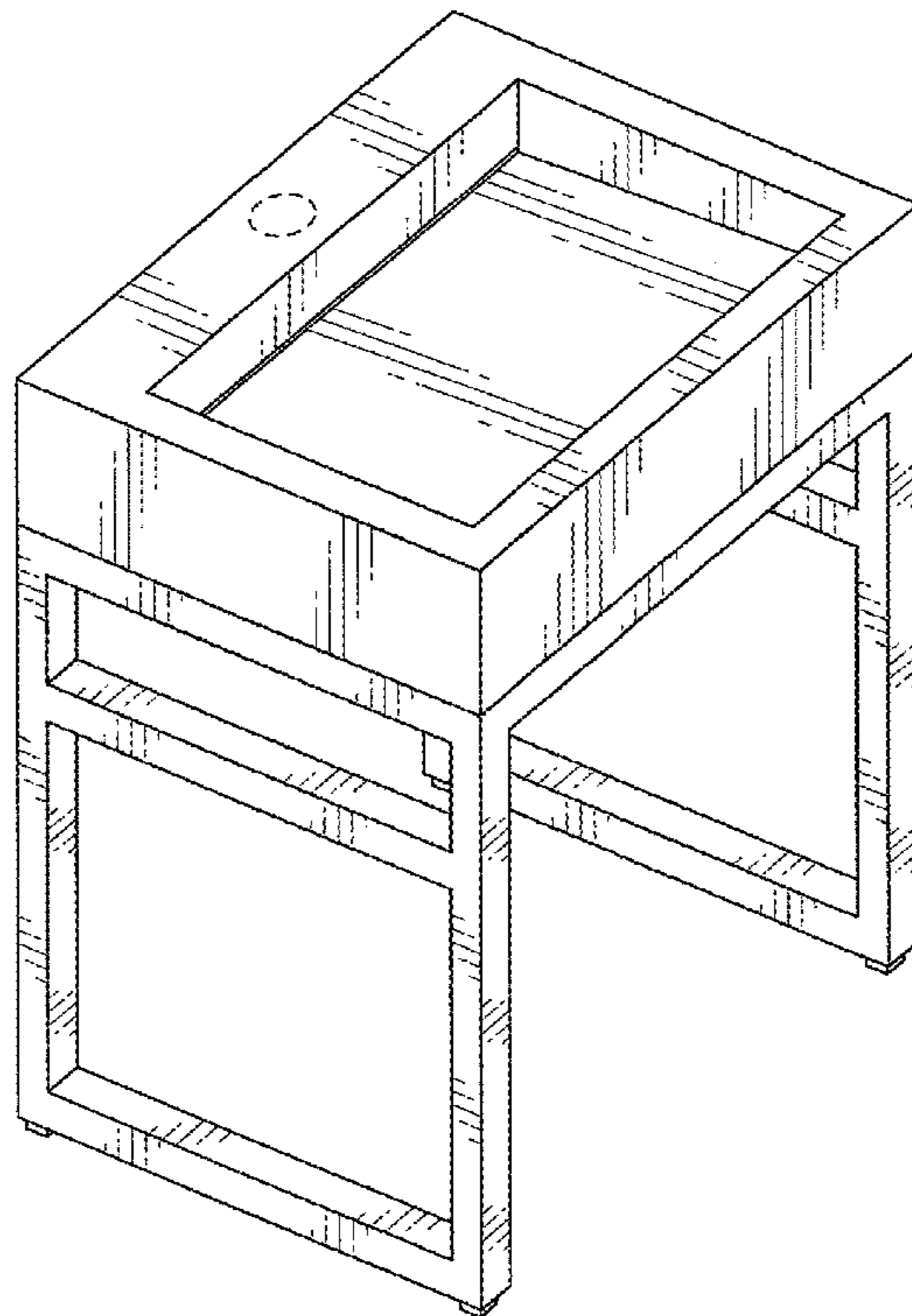
FIG. 10 is a bottom plan view thereof.

(56) **References Cited**

U.S. PATENT DOCUMENTS

D445,489 S * 7/2001 Ferrer Beltran D23/286
D560,782 S * 1/2008 Marshall D23/293.1
D560,784 S * 1/2008 Marshall D23/293.1
D602,135 S * 10/2009 LeTourneau D23/286

1 Claim, 6 Drawing Sheets



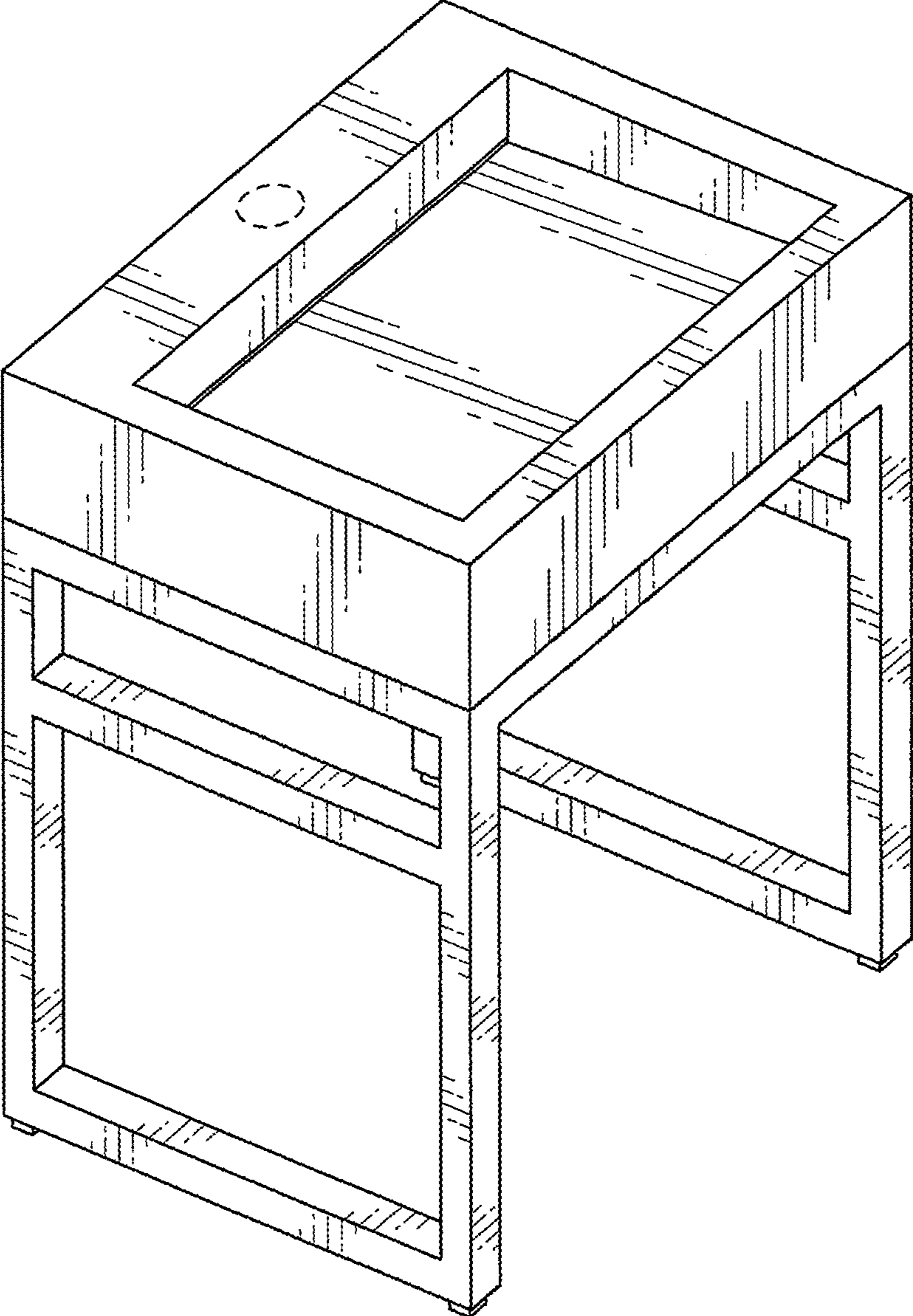


FIG. 1

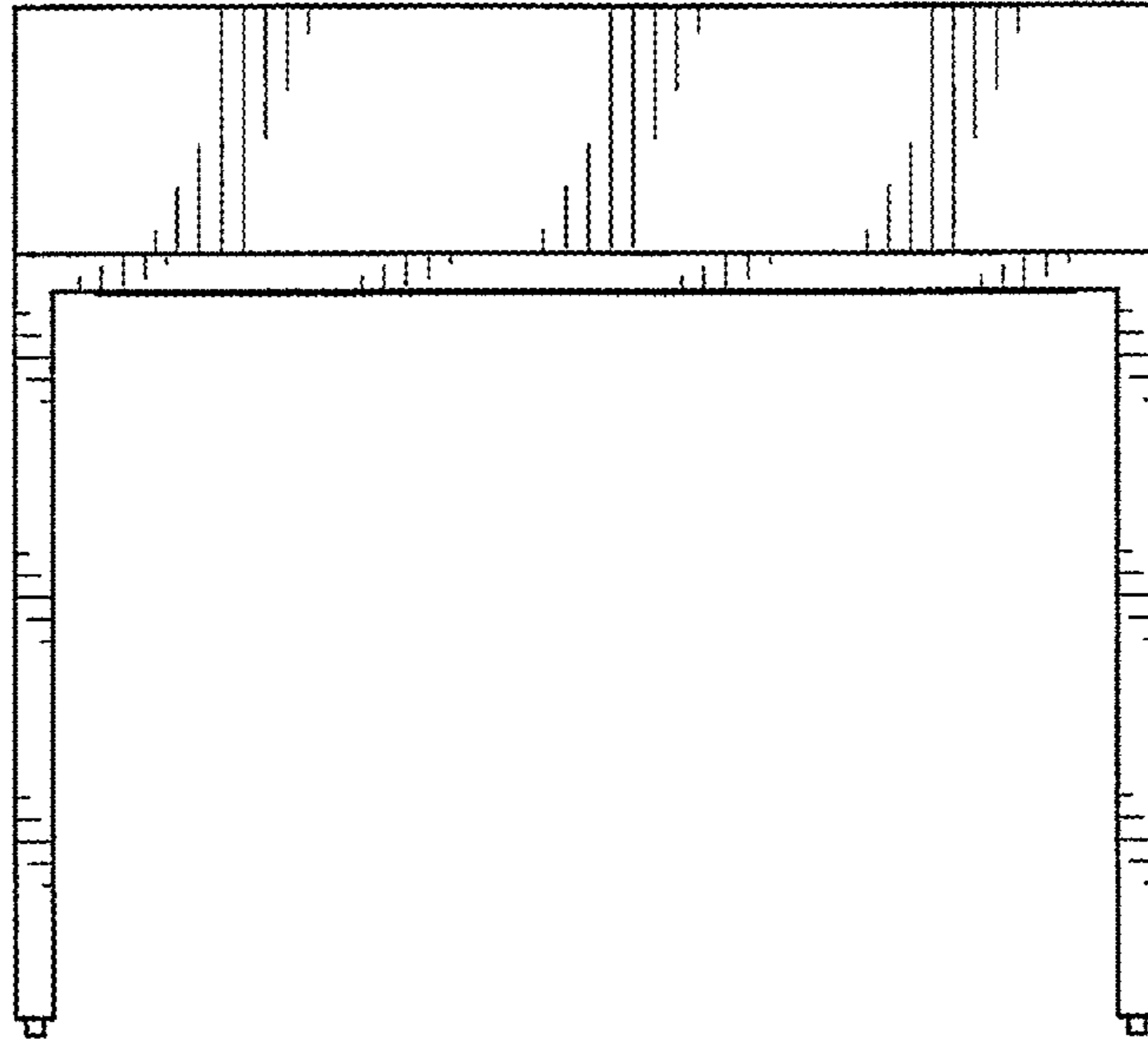


FIG. 2

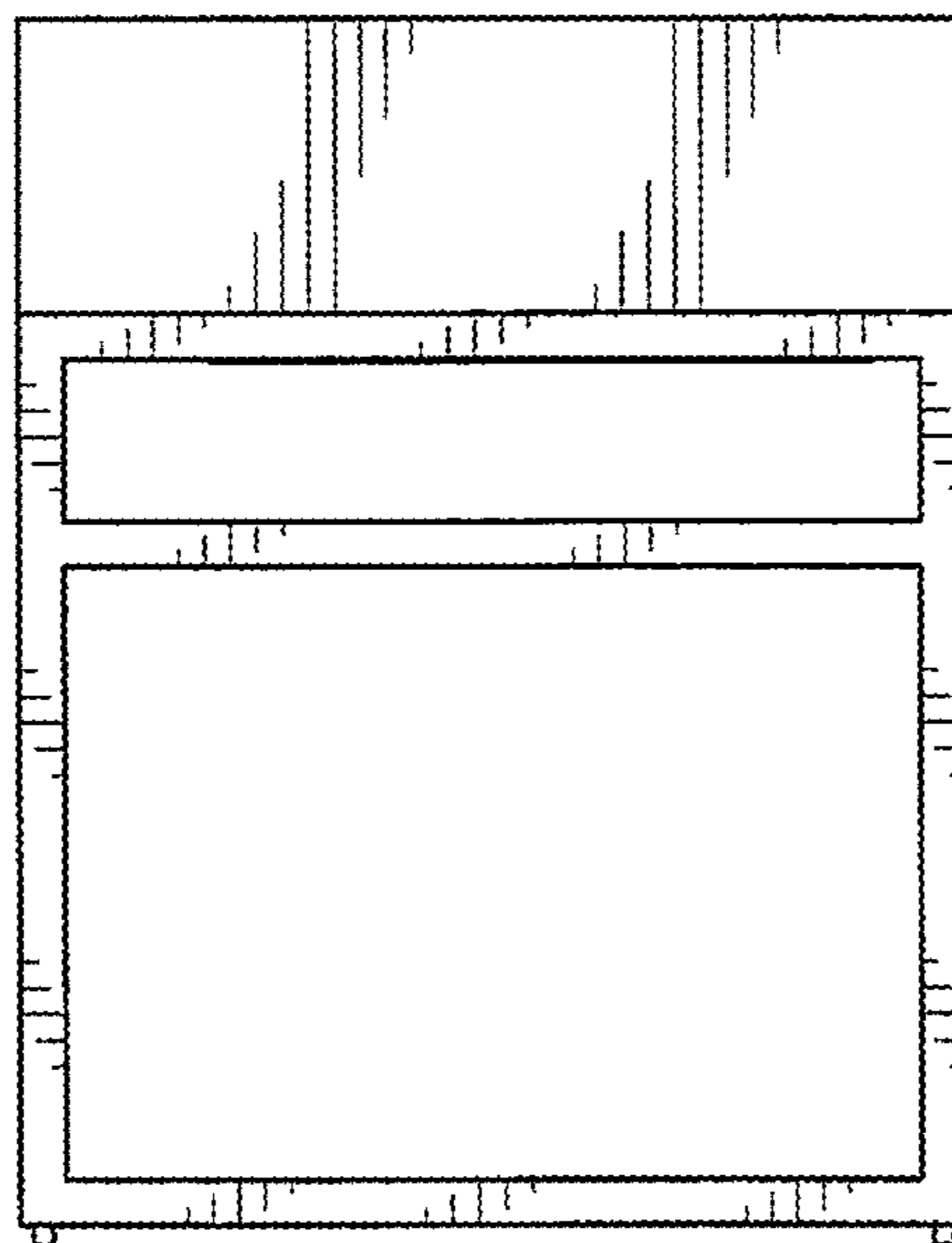


FIG. 3

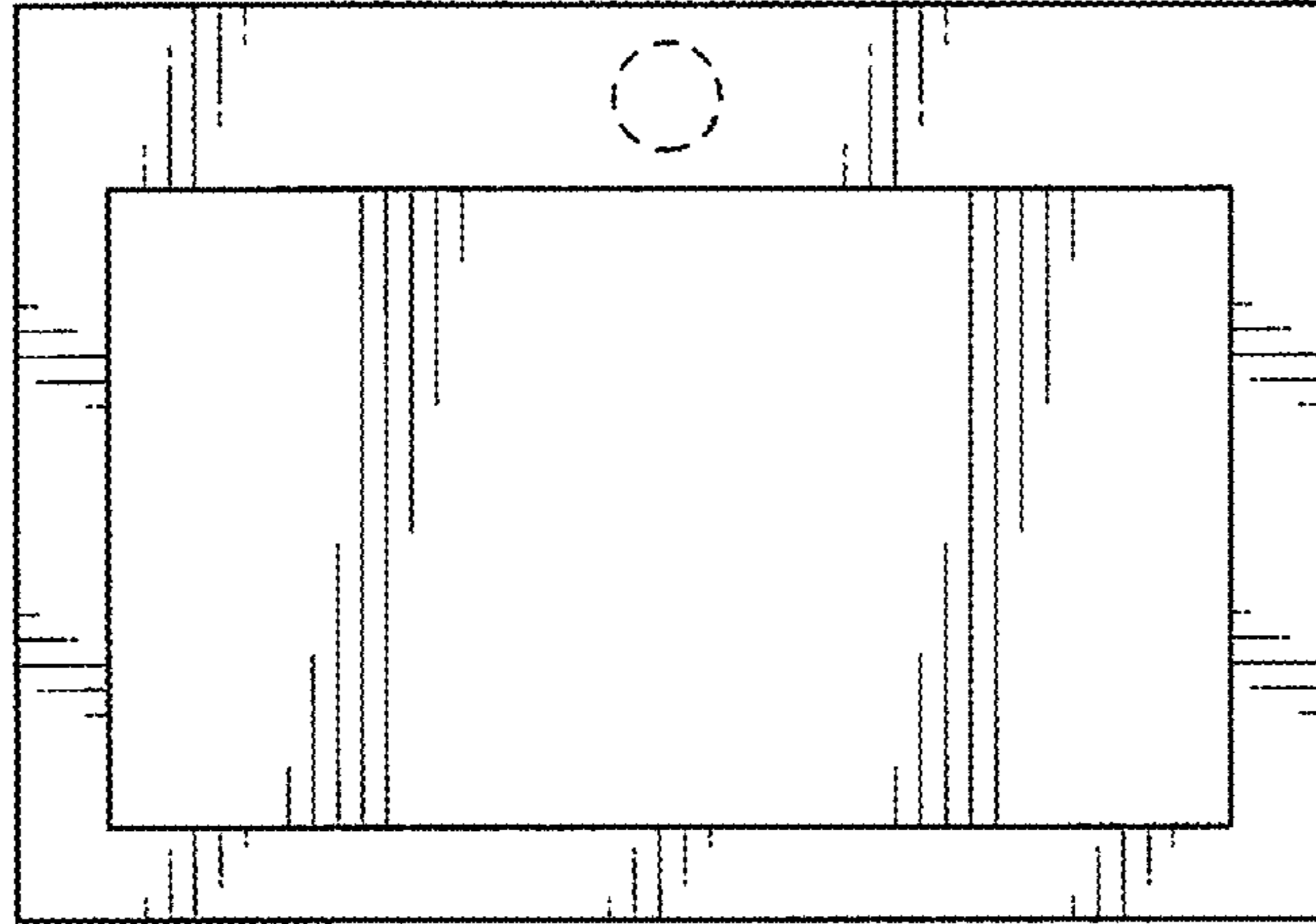


FIG. 4

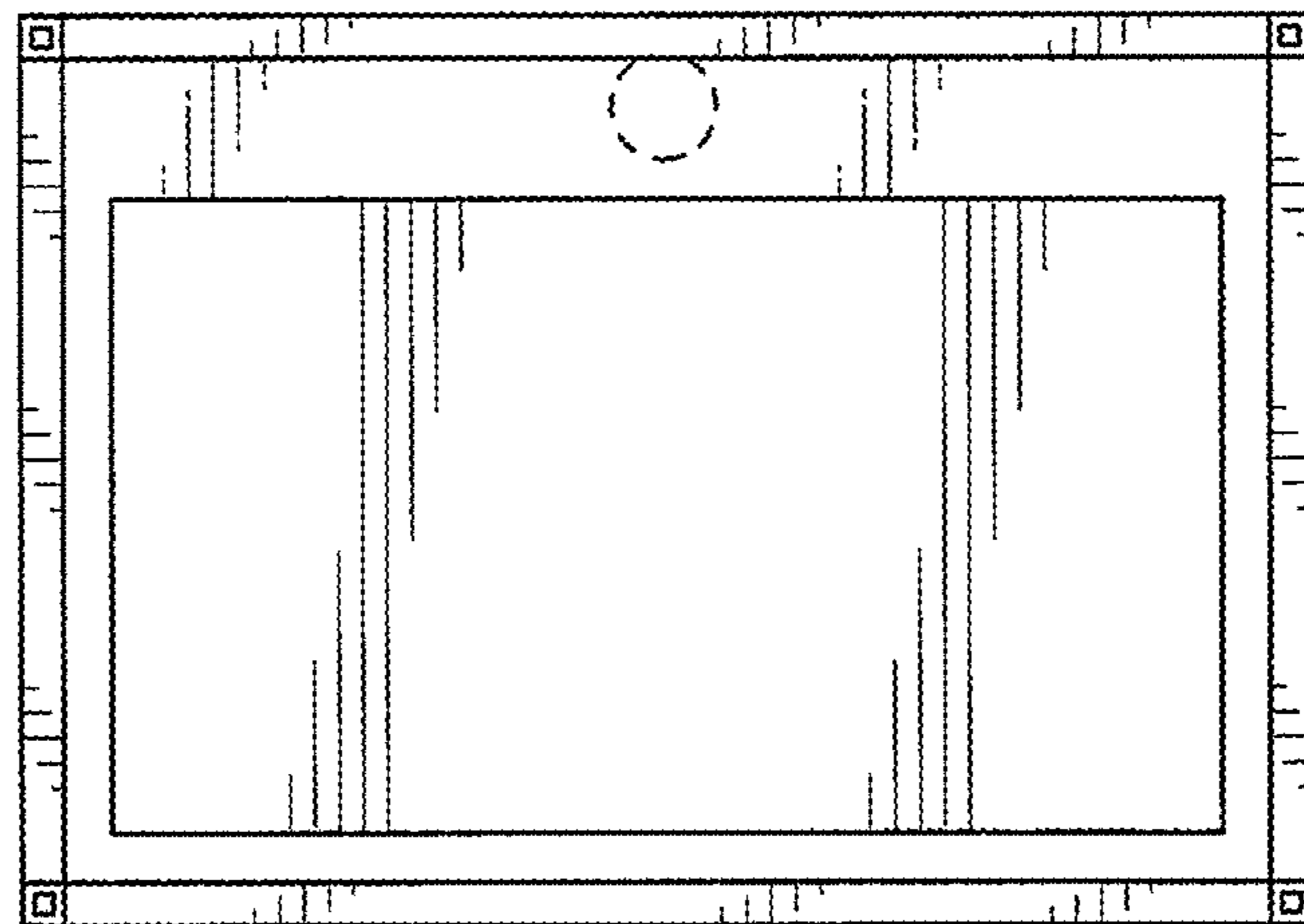


FIG. 5

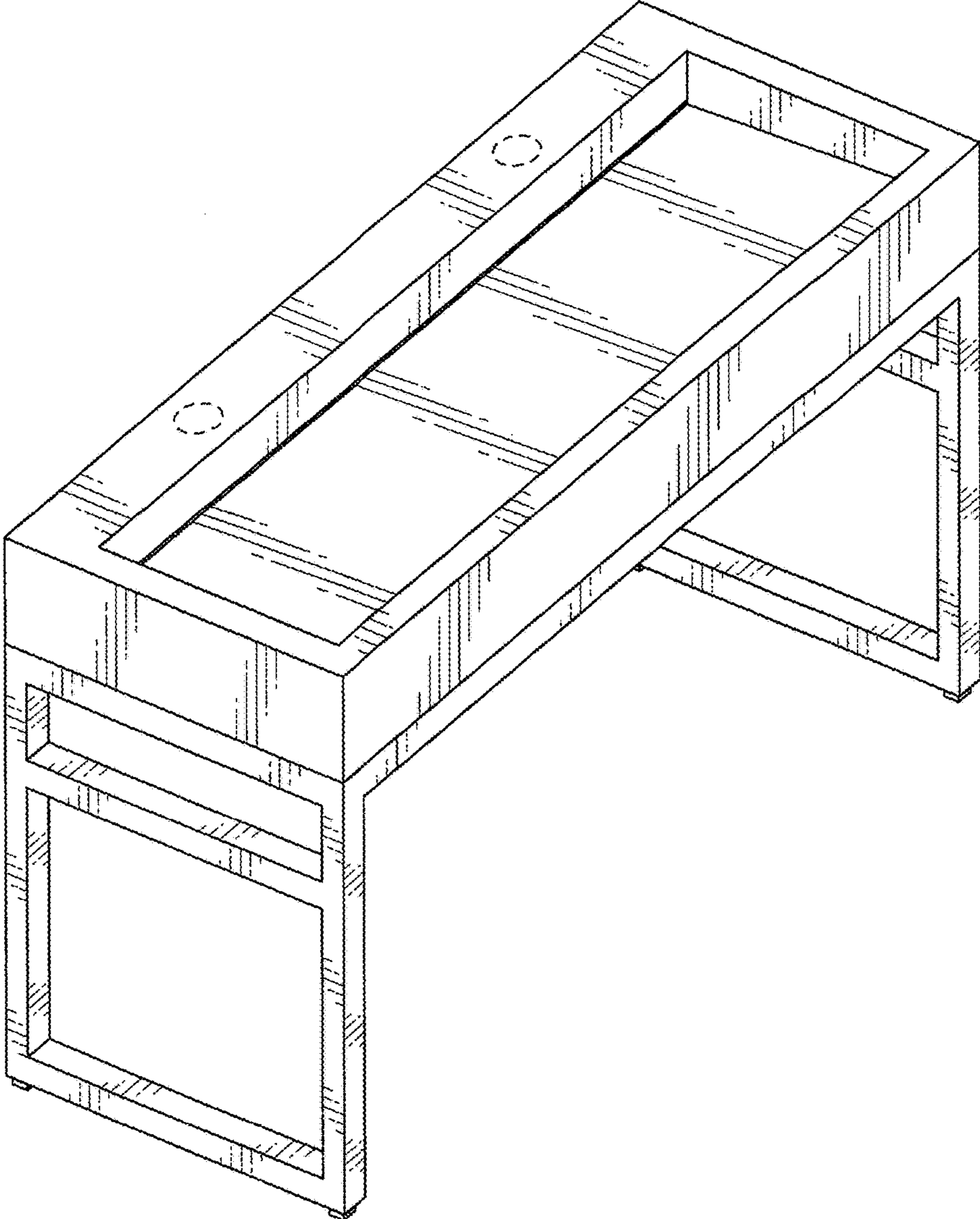


FIG. 6

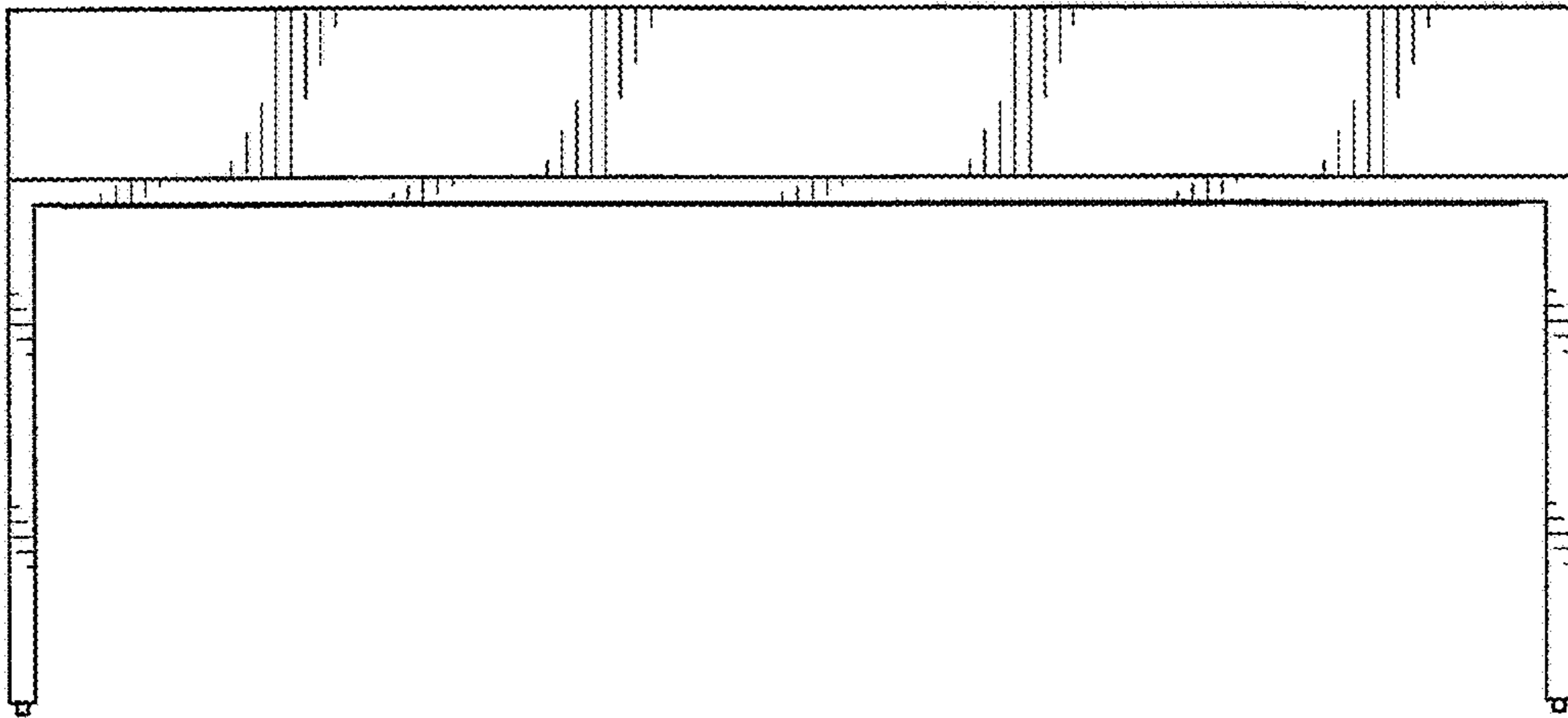


FIG. 7

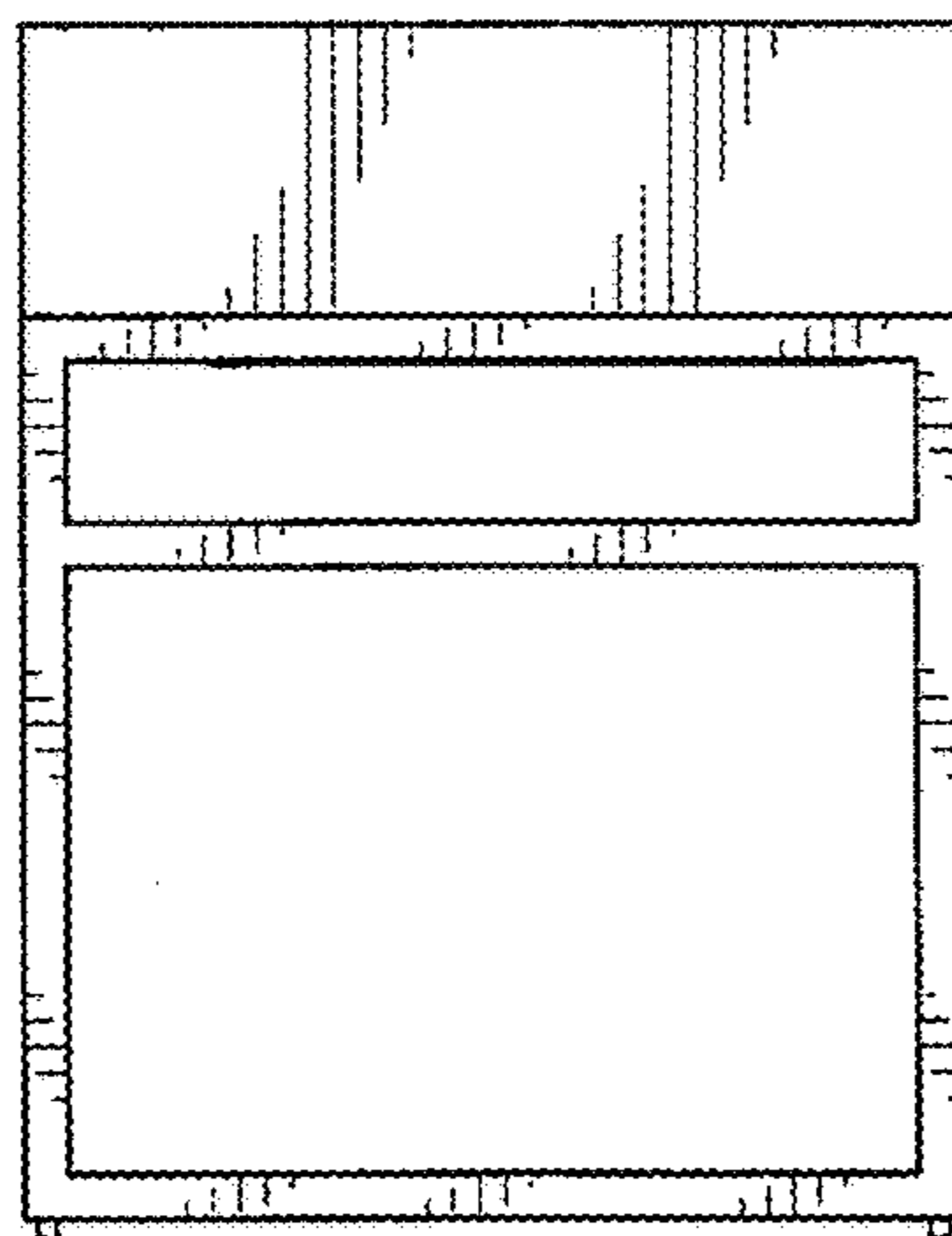


FIG. 8

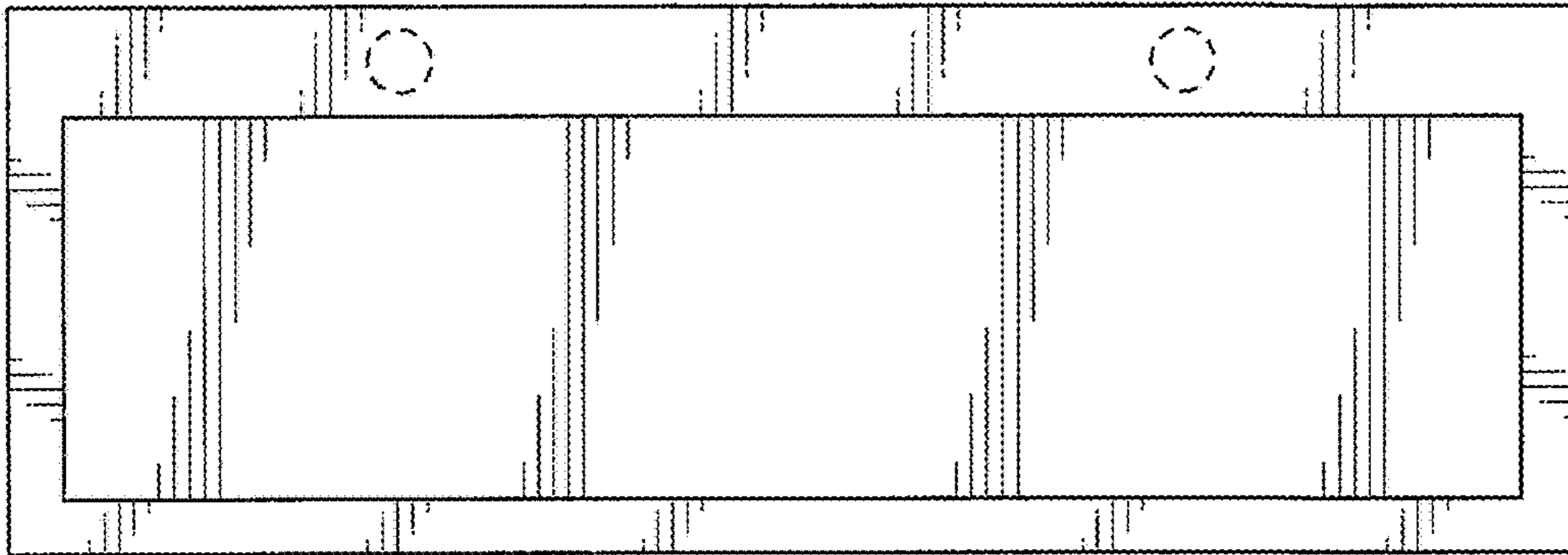


FIG. 9

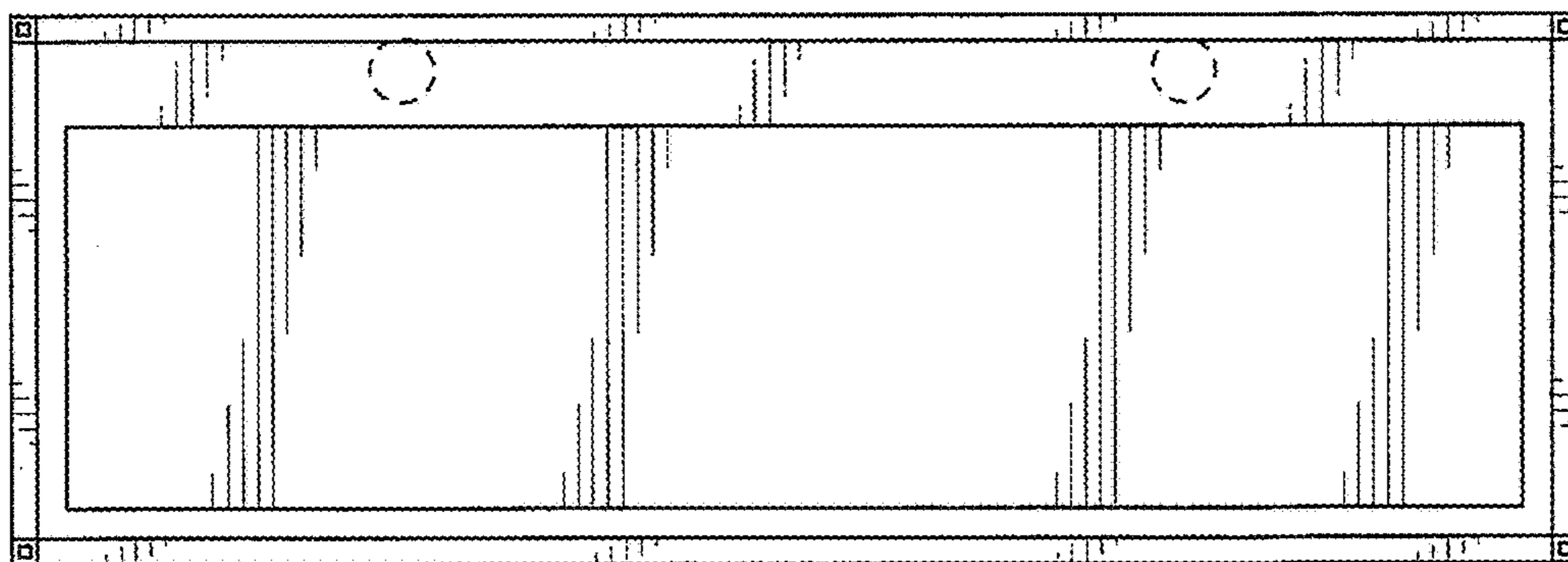


FIG. 10