



US00D777303S

(12) **United States Design Patent**
Henry-Offor

(10) **Patent No.:** **US D777,303 S**
(45) **Date of Patent:** **** Jan. 24, 2017**

- (54) **BATH**
- (71) Applicant: **Brenda Henry-Offor**, Brooklyn, NY
(US)
- (72) Inventor: **Brenda Henry-Offor**, Brooklyn, NY
(US)
- (**) Term: **15 Years**
- (21) Appl. No.: **29/530,416**
- (22) Filed: **Jun. 16, 2015**
- (51) **LOC (10) Cl.** **23-02**
- (52) **U.S. Cl.**
USPC **D23/277**
- (58) **Field of Classification Search**
USPC D23/277-278, 280.1, 303-304; D24/234
CPC A47K 3/001; A47K 3/06; A47K 3/062;
A61G 7/0005; A47C 1/14; A47C
1/54; E04H 4/0025; E04H 4/03
See application file for complete search history.

(56) **References Cited**

U.S. PATENT DOCUMENTS

2,471,302	A *	5/1949	Boward	A47K 3/06 4/547
4,312,084	A	1/1982	Browning		
D293,363	S *	12/1987	Everard	D23/304
4,964,183	A *	10/1990	LaForce, Jr.	A47C 1/14 4/538
5,101,823	A *	4/1992	Smith	A47C 1/14 5/284
5,247,712	A *	9/1993	Williams	A61G 7/0005 4/538
5,341,526	A *	8/1994	Kennedy	A47K 3/062 4/455
6,209,150	B1 *	4/2001	Hsu	E04H 4/0025 4/499

6,543,068	B1	4/2003	Penninger		
D478,971	S	8/2003	Jones et al.		
D498,828	S	11/2004	Chiu		
D545,407	S *	6/2007	Chiu	D23/284
D743,514	S *	11/2015	Kuipers	D23/277
2010/0293707	A1	11/2010	Dean		

* cited by examiner

Primary Examiner — Robert Delehanty
(74) *Attorney, Agent, or Firm* — Ladas & Parry LLP

(57) **CLAIM**

I claim the ornamental design for a bath, as shown and described.

DESCRIPTION

FIG. 1 is a perspective view showing my new design for a bath.

FIG. 2 is a front view thereof.

FIG. 3 is a rear view thereof.

FIG. 4 is a right side view thereof.

FIG. 5 is a left side view thereof.

FIG. 6 is a top view thereof.

FIG. 7 is a bottom view thereof; and,

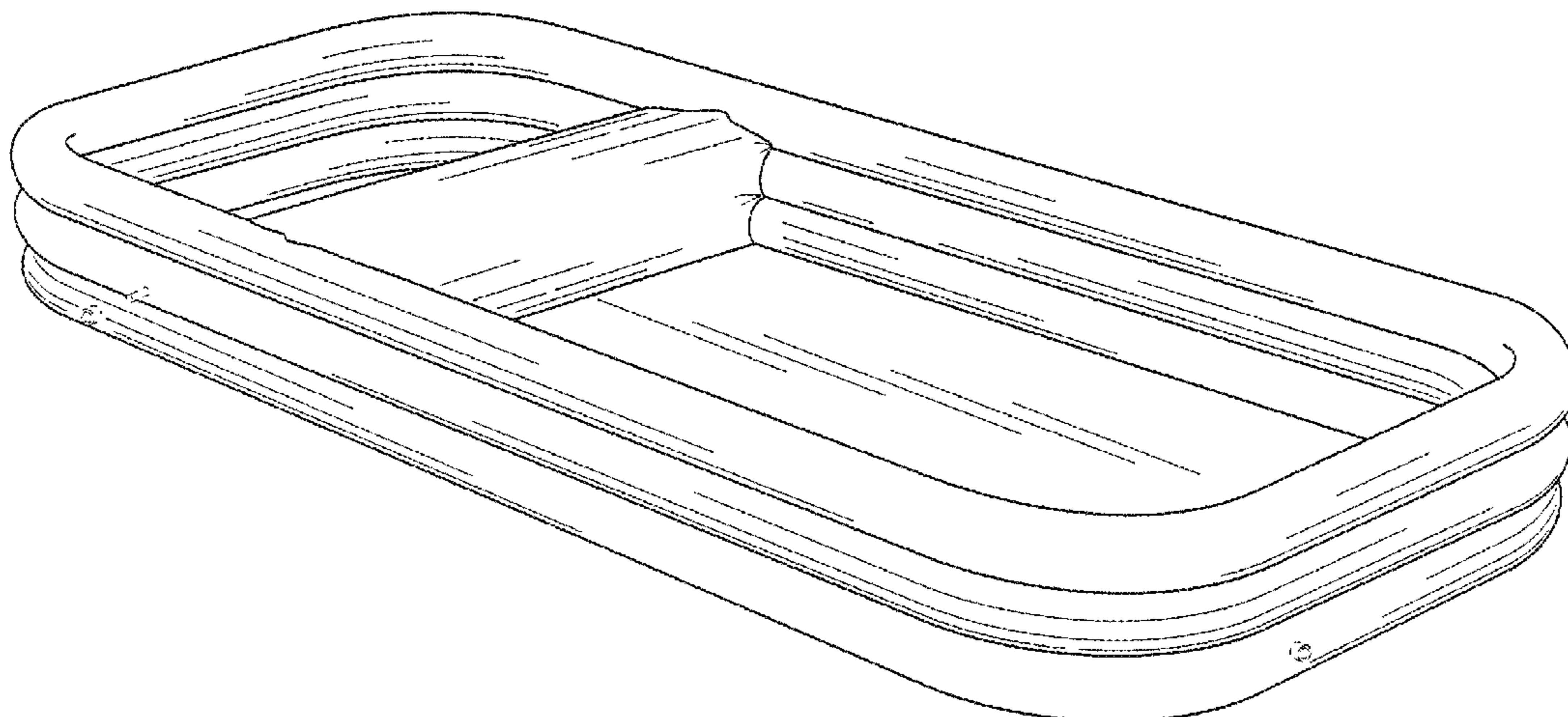
FIG. 8 is a perspective view showing environmental structure for my new design for a bath.

The broken lines in the drawings showing inflatable valves on the sides of the bath represent portions of the bath that form no part of the claimed design.

The water bag, hose, shower head, and metal rolling rack shown in broken lines in the drawings illustrate environmental items that form no part of the claimed design.

The characteristic feature of the design resides in an inflatable bath that may be used on top of a bed for washing bedridden persons or other patients for example.

1 Claim, 6 Drawing Sheets



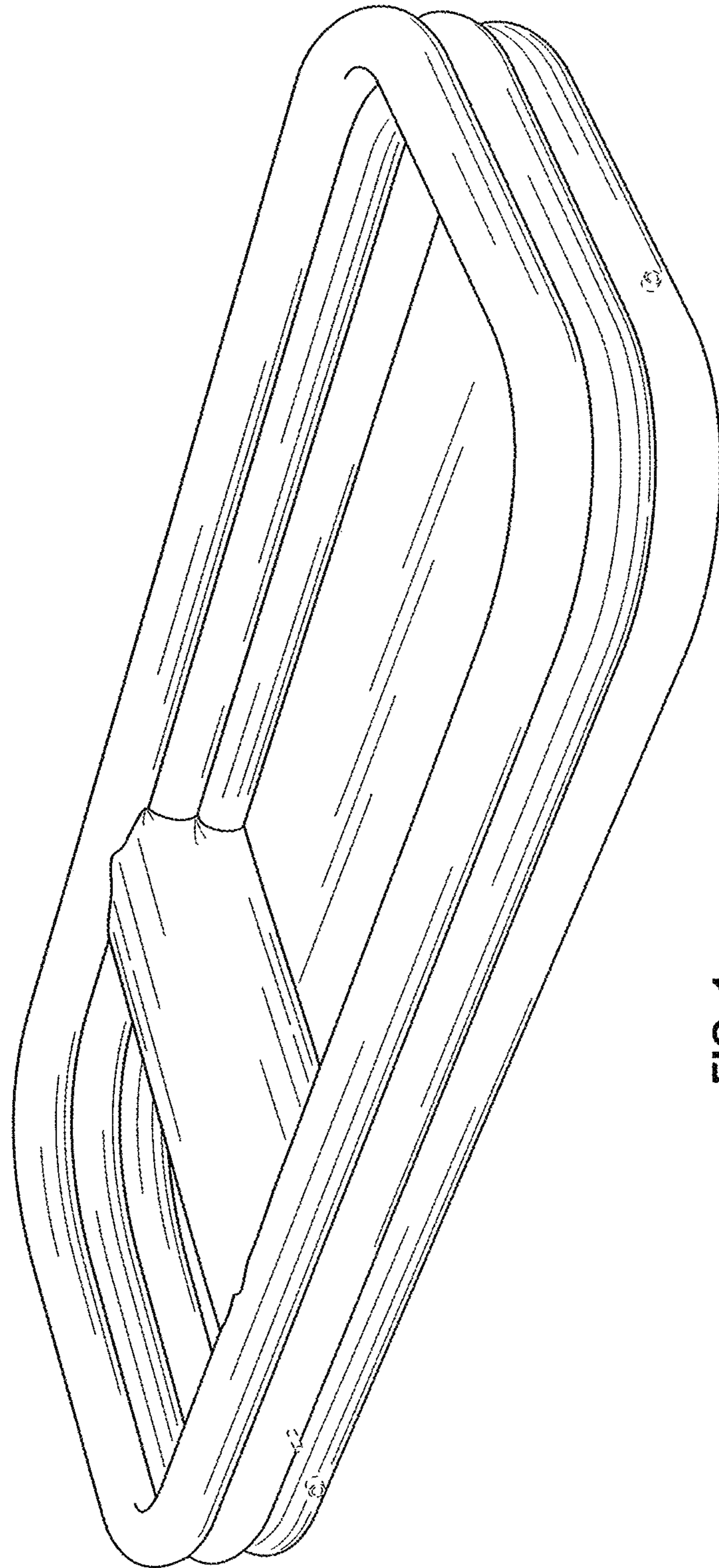


FIG. 1

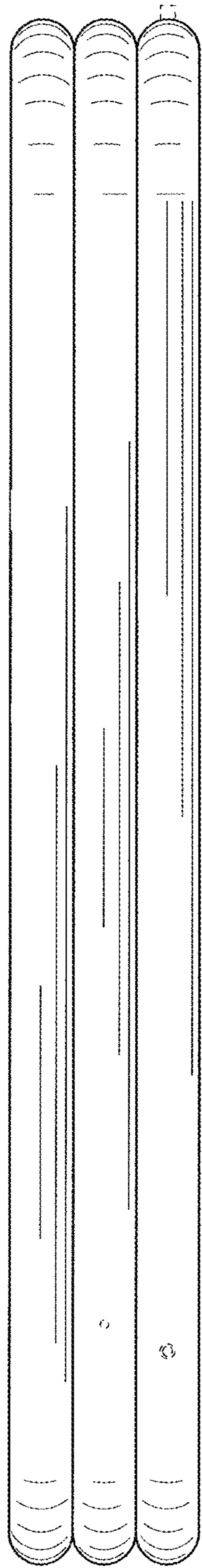


FIG. 2

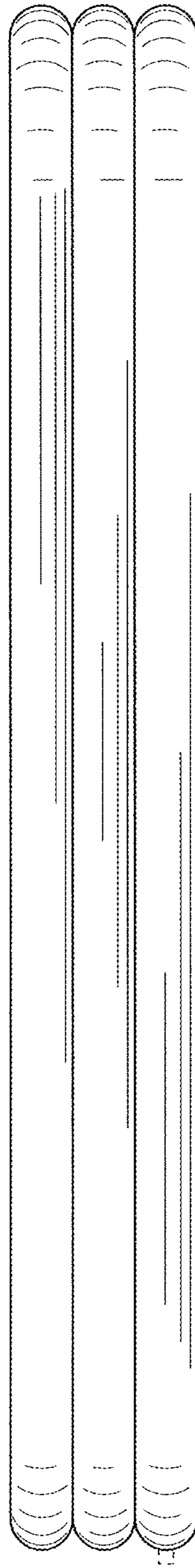


FIG. 3

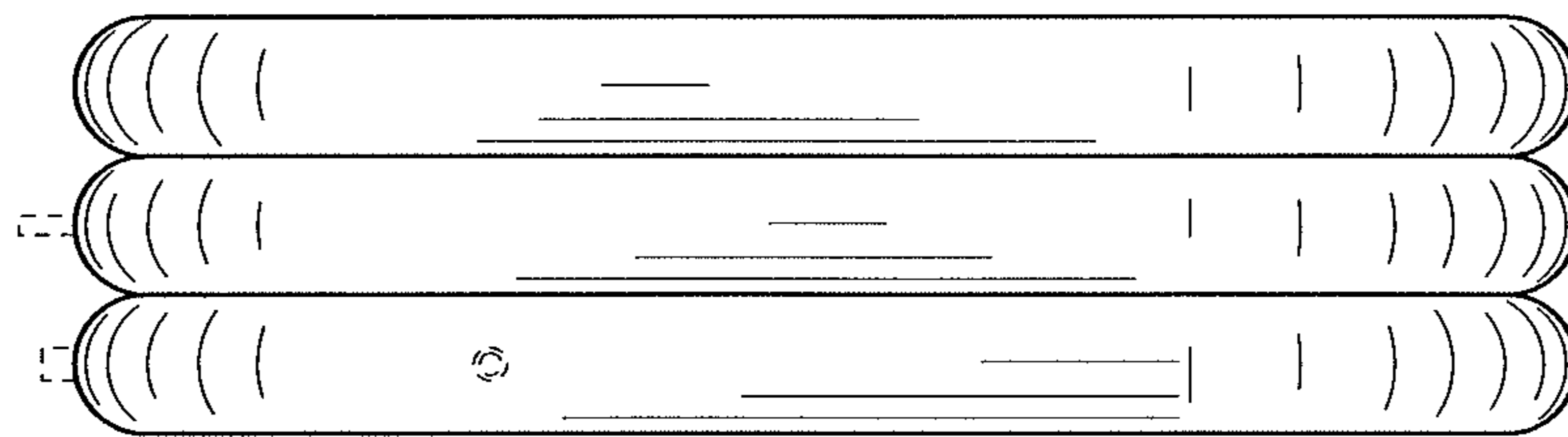


FIG. 4

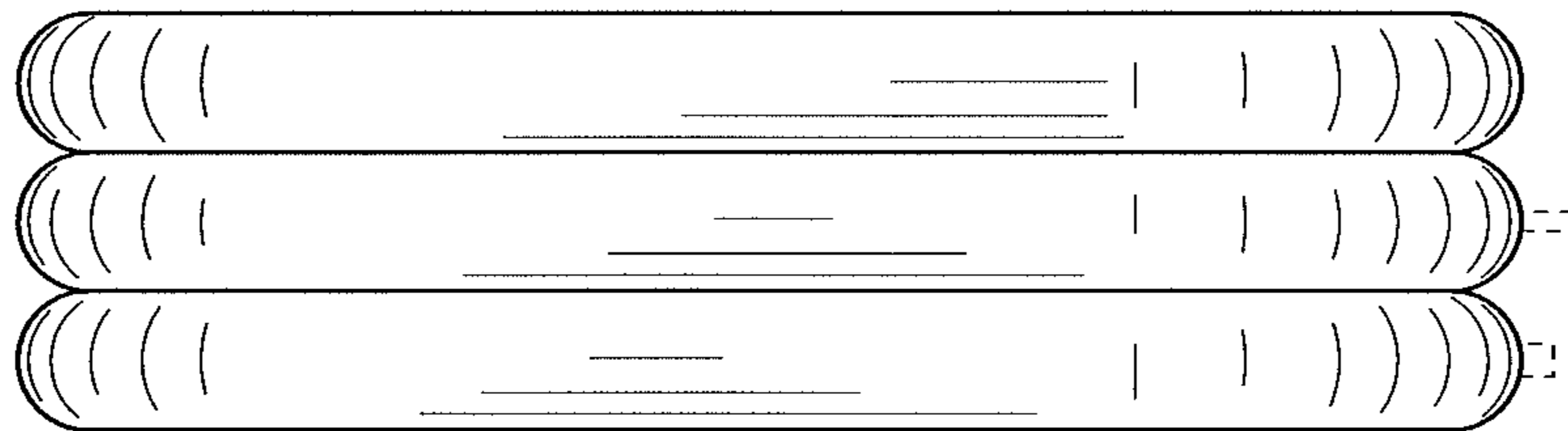


FIG. 5

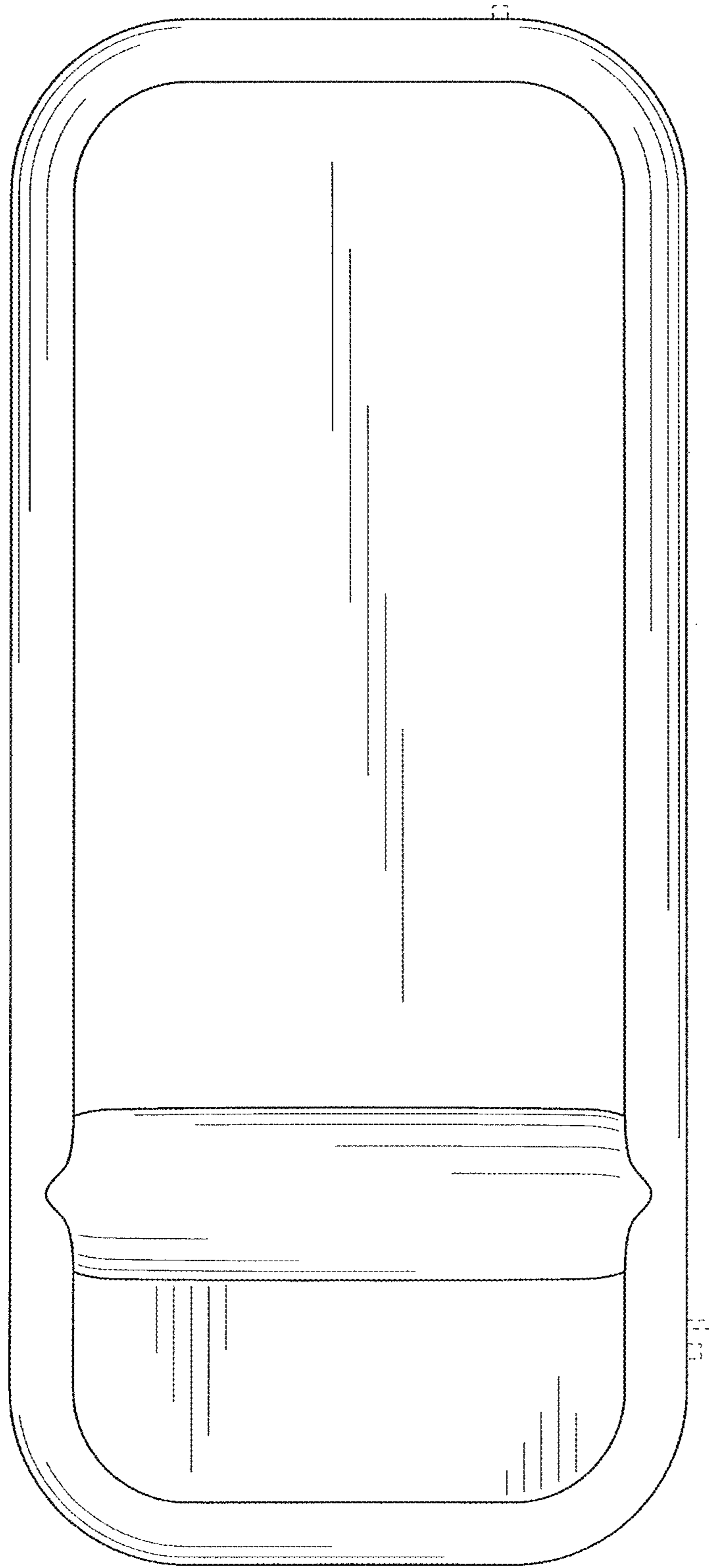


FIG. 6

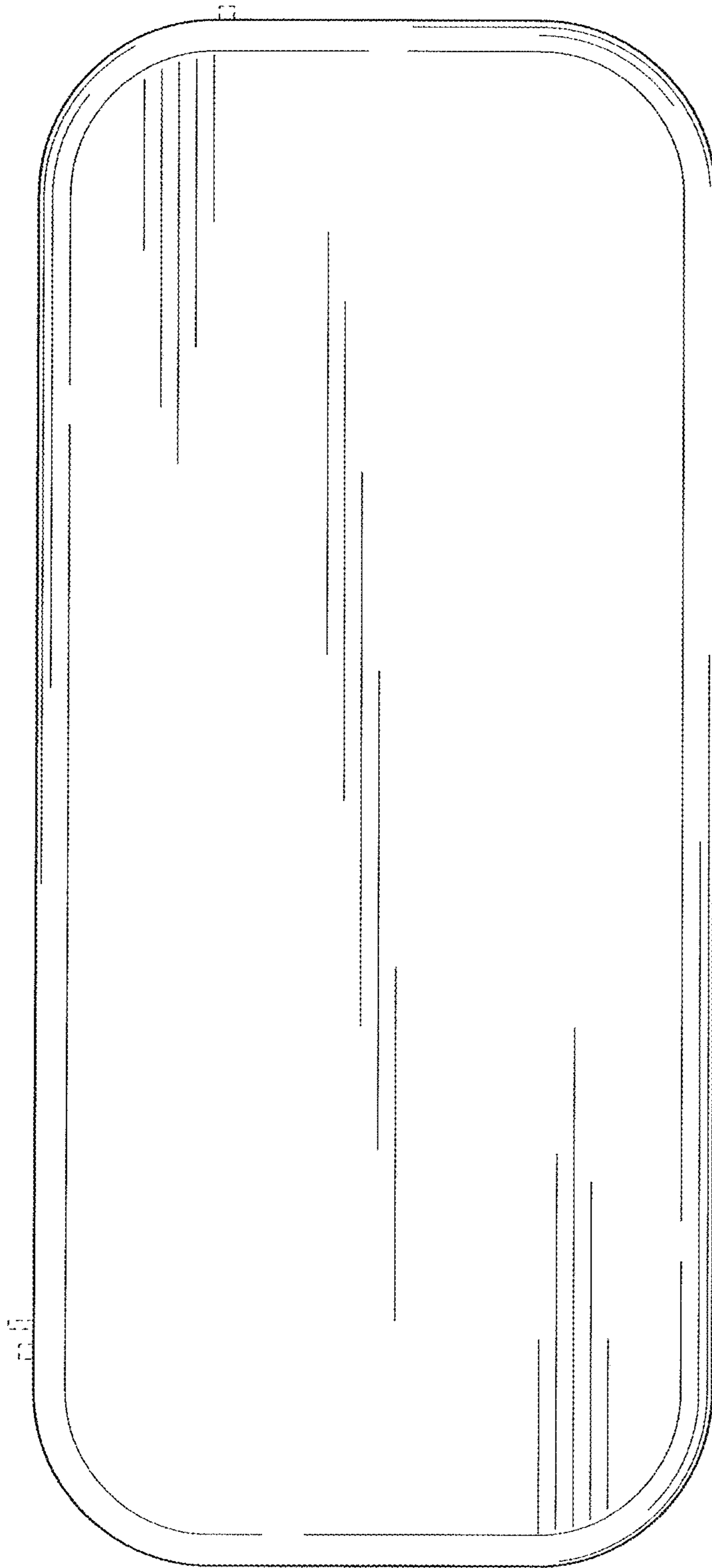


FIG. 7

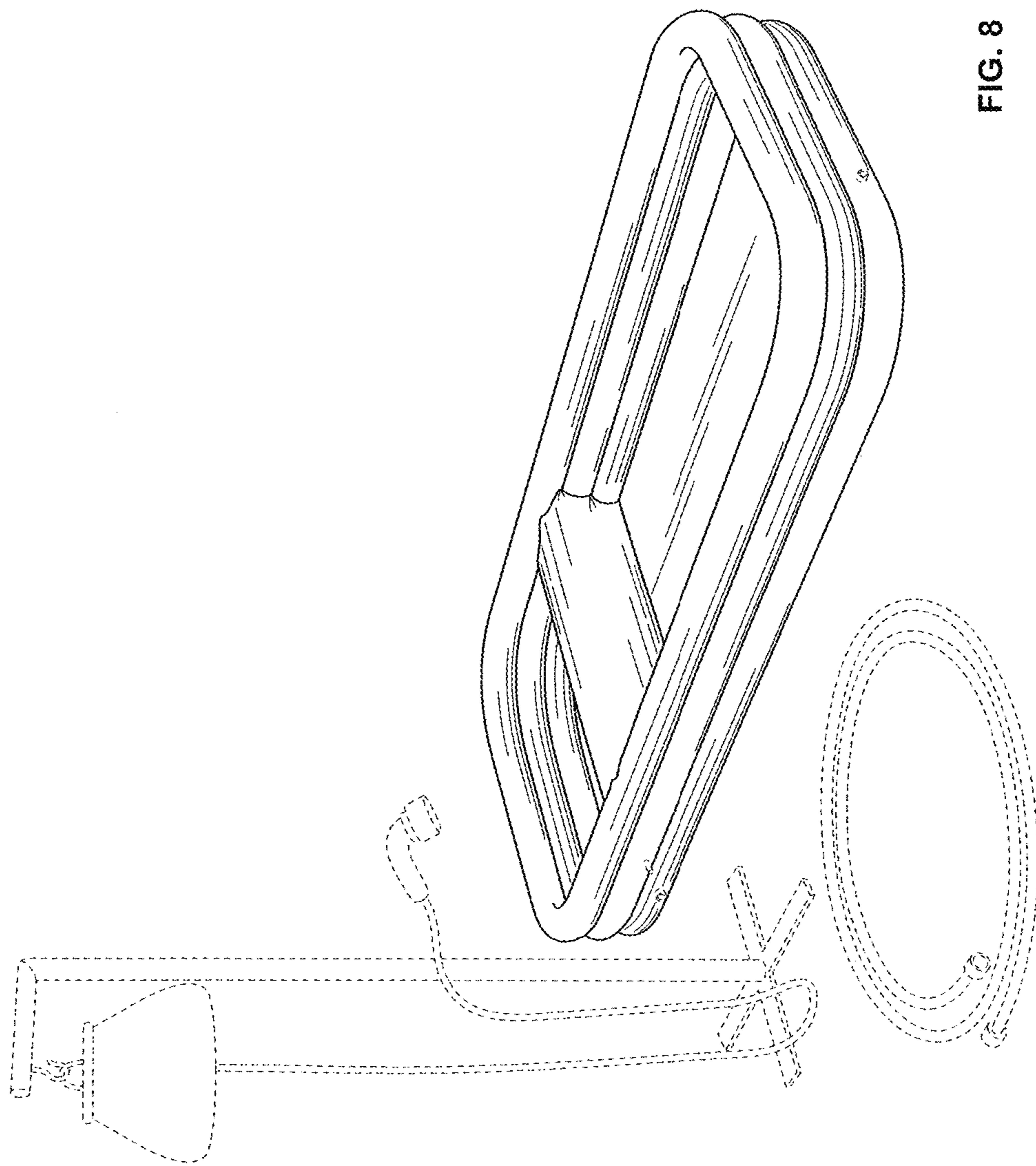


FIG. 8