



US00D777299S

(12) **United States Design Patent**
Eaton et al.

(10) **Patent No.:** **US D777,299 S**

(45) **Date of Patent:** **** Jan. 24, 2017**

(54) **HAND TIGHTENED HYDRAULIC FITTING**

(71) Applicant: **GATES CORPORATION**, Denver, CO (US)

(72) Inventors: **Richard A. Eaton**, Sedalia, CO (US);
Keith E. Zulauf, Castle Rock, CO (US); **Donald R. Gilbreath**, Castle Rock, CO (US)

(73) Assignee: **Gates Corporation**, Denver, CO (US)

(**) Term: **15 Years**

(21) Appl. No.: **29/533,972**

(22) Filed: **Jul. 23, 2015**

Related U.S. Application Data

(60) Division of application No. 29/449,856, filed on Mar. 15, 2013, now Pat. No. Des. 738,470, which is a (Continued)

(51) **LOC (10) Cl.** **23-01**

(52) **U.S. Cl.**
USPC **D23/259**

(58) **Field of Classification Search**
USPC D23/233, 245, 259-269; 285/86-93
See application file for complete search history.

(56) **References Cited**

U.S. PATENT DOCUMENTS

D32,963 S * 7/1900 Levering D23/262
D118,575 S * 1/1940 Thomas, Jr. D23/262
(Continued)

Primary Examiner — Kevin Rudzinski

Assistant Examiner — John Reickel

(74) *Attorney, Agent, or Firm* — Paul N. Dunlap, Esq.;
Jeffrey A. Thurnau, Esq.

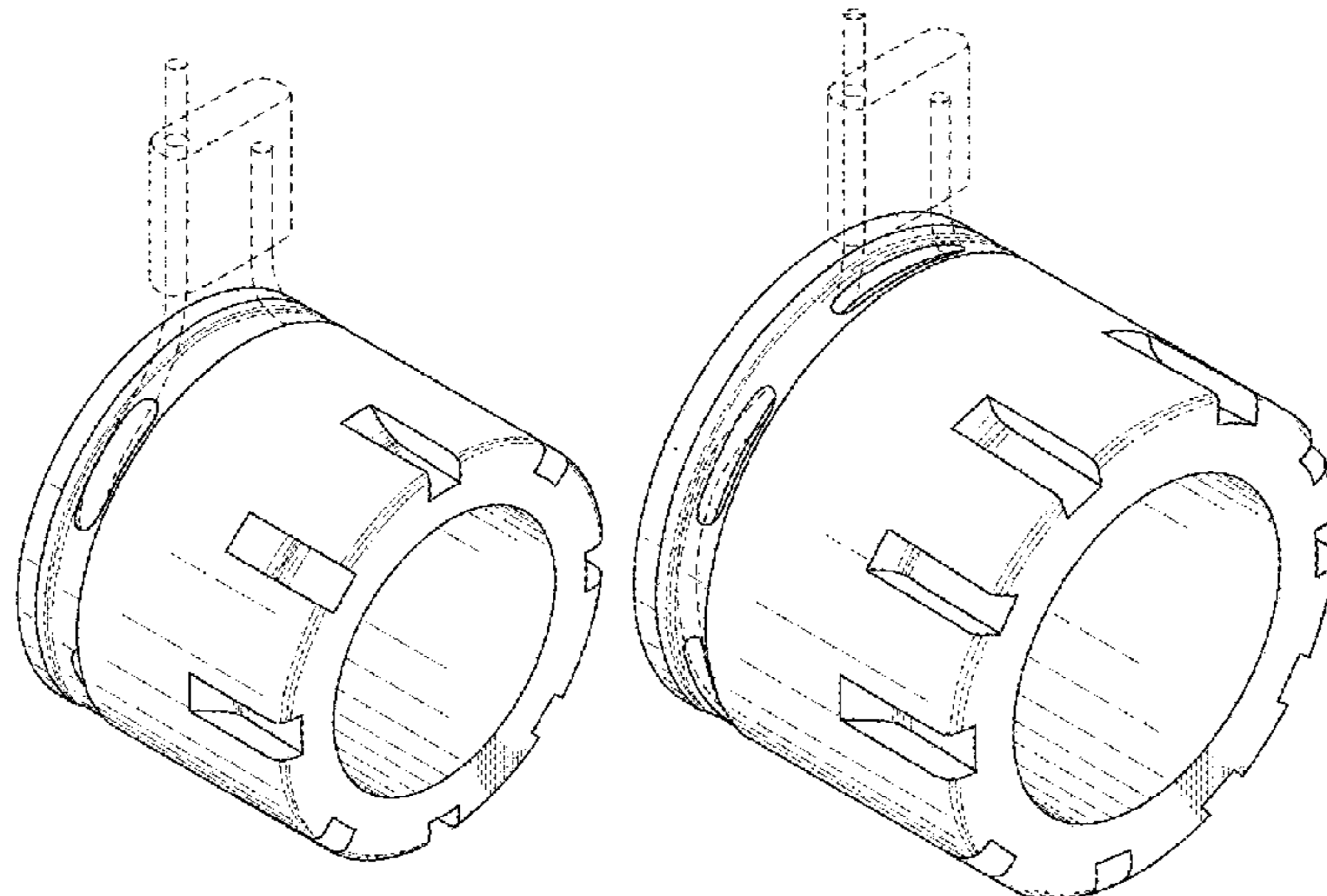
(57) **CLAIM**

The ornamental design for a hand tightened hydraulic fitting, as shown and described.

DESCRIPTION

FIG. 1 is a front perspective view of a first embodiment of a hand tightened hydraulic fitting.
FIG. 2 is a rear perspective view of the first embodiment of a hand tightened hydraulic fitting.
FIG. 3 is a front elevation view of the first embodiment of a hand tightened hydraulic fitting.
FIG. 4 is a rear elevation view of the first embodiment of a hand tightened hydraulic fitting.
FIG. 5 is a top plan view of the first embodiment of a hand tightened hydraulic fitting.
FIG. 6 is a bottom plan view of the first embodiment of a hand tightened hydraulic fitting.
FIG. 7 is a left side elevation view of the first embodiment of a hand tightened hydraulic fitting.
FIG. 8 is a right side elevation view of the first embodiment of a hand tightened hydraulic fitting.
FIG. 9 is a cross-sectional view of the first embodiment of a hand tightened hydraulic fitting taken at line 9-9 in FIG. 3.
FIG. 10 is a front perspective view a second embodiment of a hand tightened hydraulic fitting.
FIG. 11 is a rear perspective view of the second embodiment of a hand tightened hydraulic fitting.
FIG. 12 is a front elevation view of the second embodiment of a hand tightened hydraulic fitting.
FIG. 13 is a rear elevation view of the second embodiment of a hand tightened hydraulic fitting.
FIG. 14 is a top plan view of the second embodiment of a hand tightened hydraulic fitting.
FIG. 15 is a bottom plan view of the second embodiment of a hand tightened hydraulic fitting.
FIG. 16 is a left side elevation view of the second embodiment of a hand tightened hydraulic fitting.
FIG. 17 is a right side elevation view of the second embodiment of a hand tightened hydraulic fitting; and,
FIG. 18 is a cross-sectional view of the second embodiment of a hand tightened hydraulic fitting at line 18-18 in FIG. 12. Broken lines illustrate the environment in which the hand tightened hydraulic fitting is used and form no part of the claimed design.

1 Claim, 5 Drawing Sheets



Related U.S. Application Data

continuation of application No. 13/675,109, filed on
Nov. 13, 2012.

(56)

References Cited

U.S. PATENT DOCUMENTS

D206,045 S 10/1966 Baker
3,446,245 A 5/1969 Snyder, Jr.
D221,432 S * 8/1971 Dunlap D23/262
D296,530 S 7/1988 Nowacki et al.
D296,581 S * 7/1988 Hattori D23/262
4,776,618 A 10/1988 Barree
D299,267 S 1/1989 Roman
4,802,695 A 2/1989 Weinhold
D325,775 S 4/1992 Hayes
D327,314 S * 6/1992 Hayes D23/262

D347,263 S * 5/1994 Phillips D23/231
D410,529 S 6/1999 Taylor
5,957,509 A 9/1999 Komolrochanaporn
D419,652 S * 1/2000 Hall D23/259
D433,928 S 11/2000 Alcone
D439,637 S * 3/2001 Davies D23/262
D595,750 S 7/2009 Ericksson et al.
D648,005 S * 11/2011 Morishita D23/259
D648,006 S * 11/2011 Morishita D23/259
8,657,343 B2 * 2/2014 Rodenberg F16L 37/0915
285/319
D711,516 S * 8/2014 Guest D23/262
8,857,863 B1 10/2014 Patin et al.
D736,358 S * 8/2015 Melo D23/262
2004/0061331 A1 4/2004 Murken
2009/0315324 A1 12/2009 Molloy
2012/0085443 A1 4/2012 Ellis et al.
2012/0086201 A1 4/2012 Murken
2013/0161941 A1 6/2013 Zulauf et al.

* cited by examiner

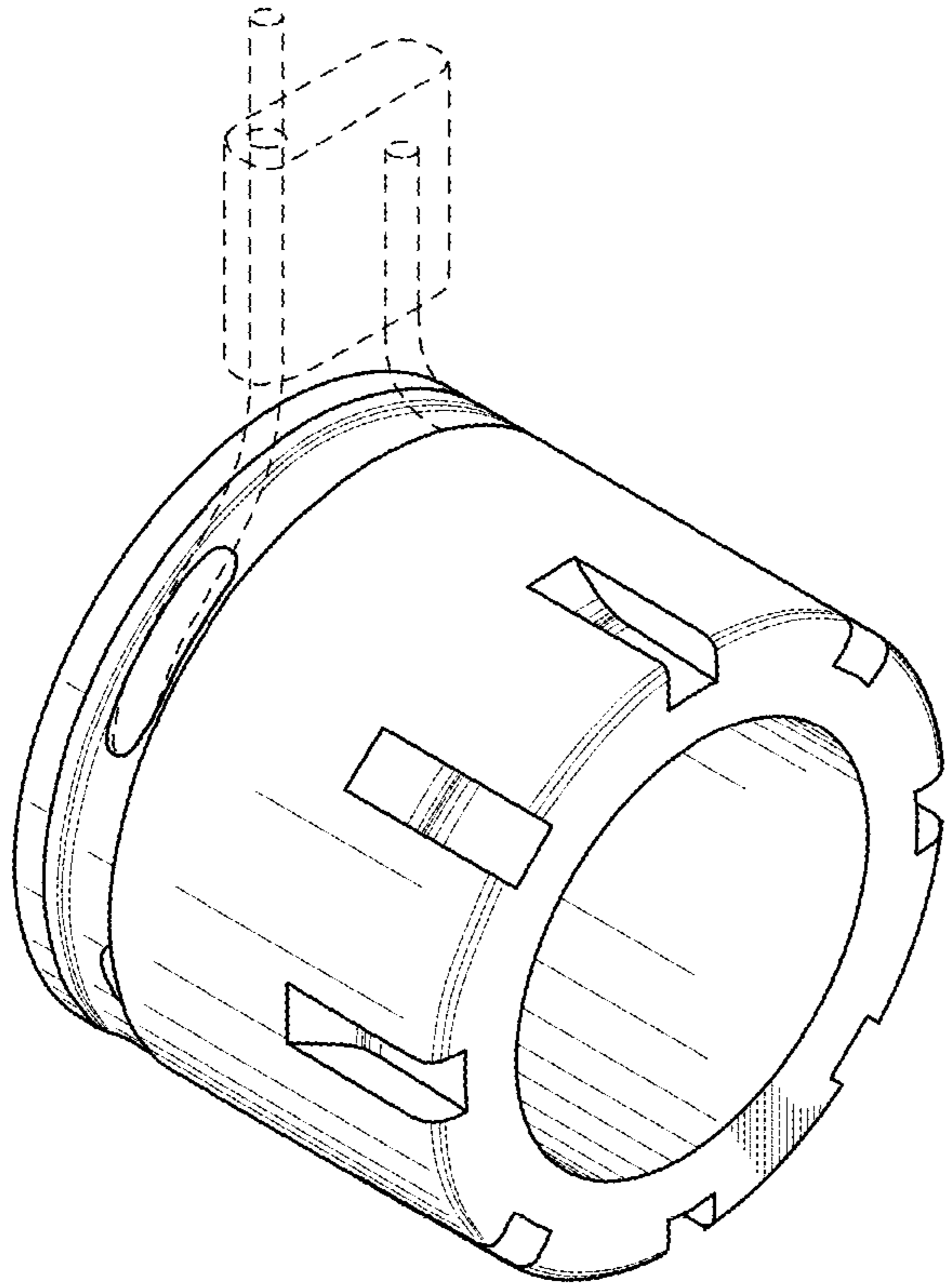


FIG. 1

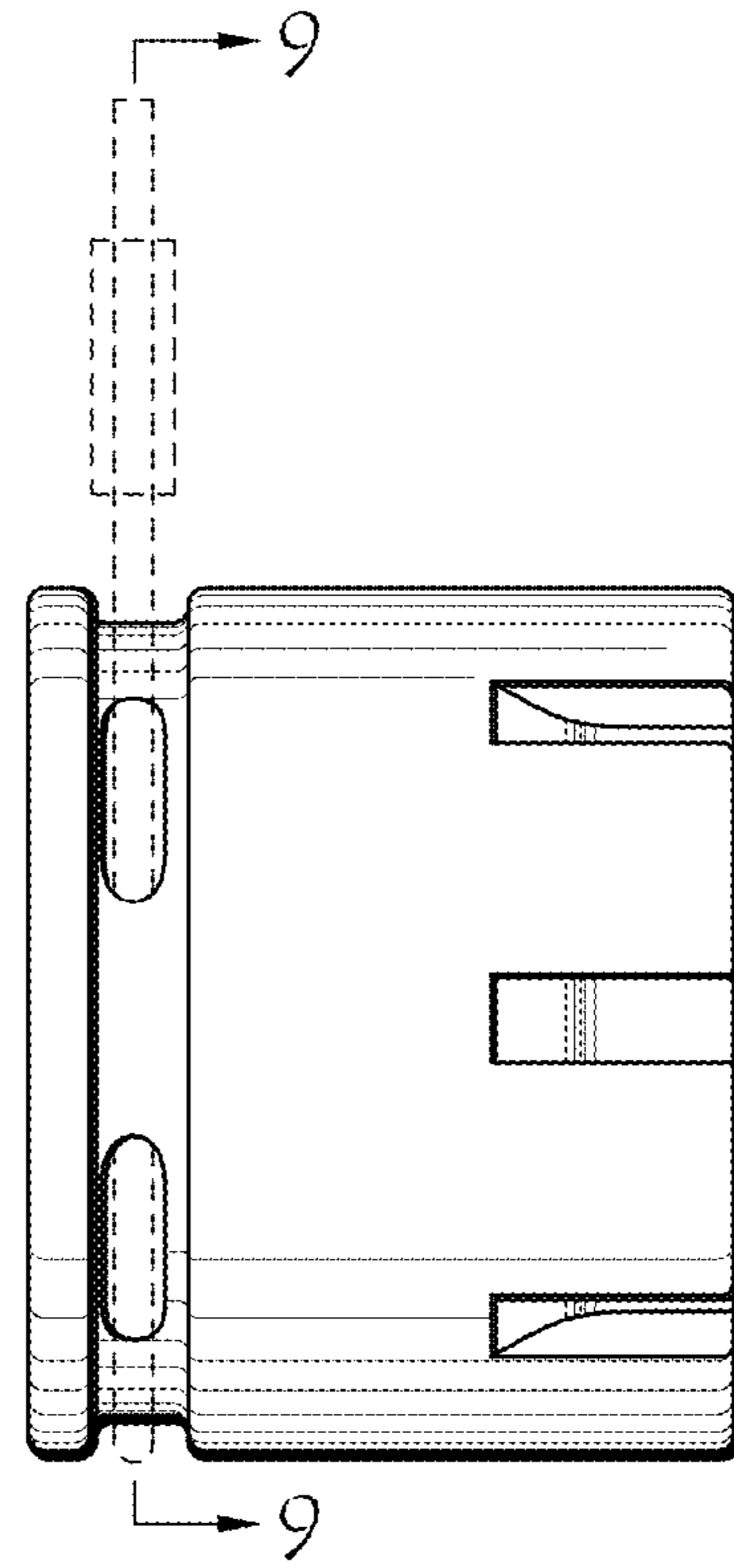


FIG. 3

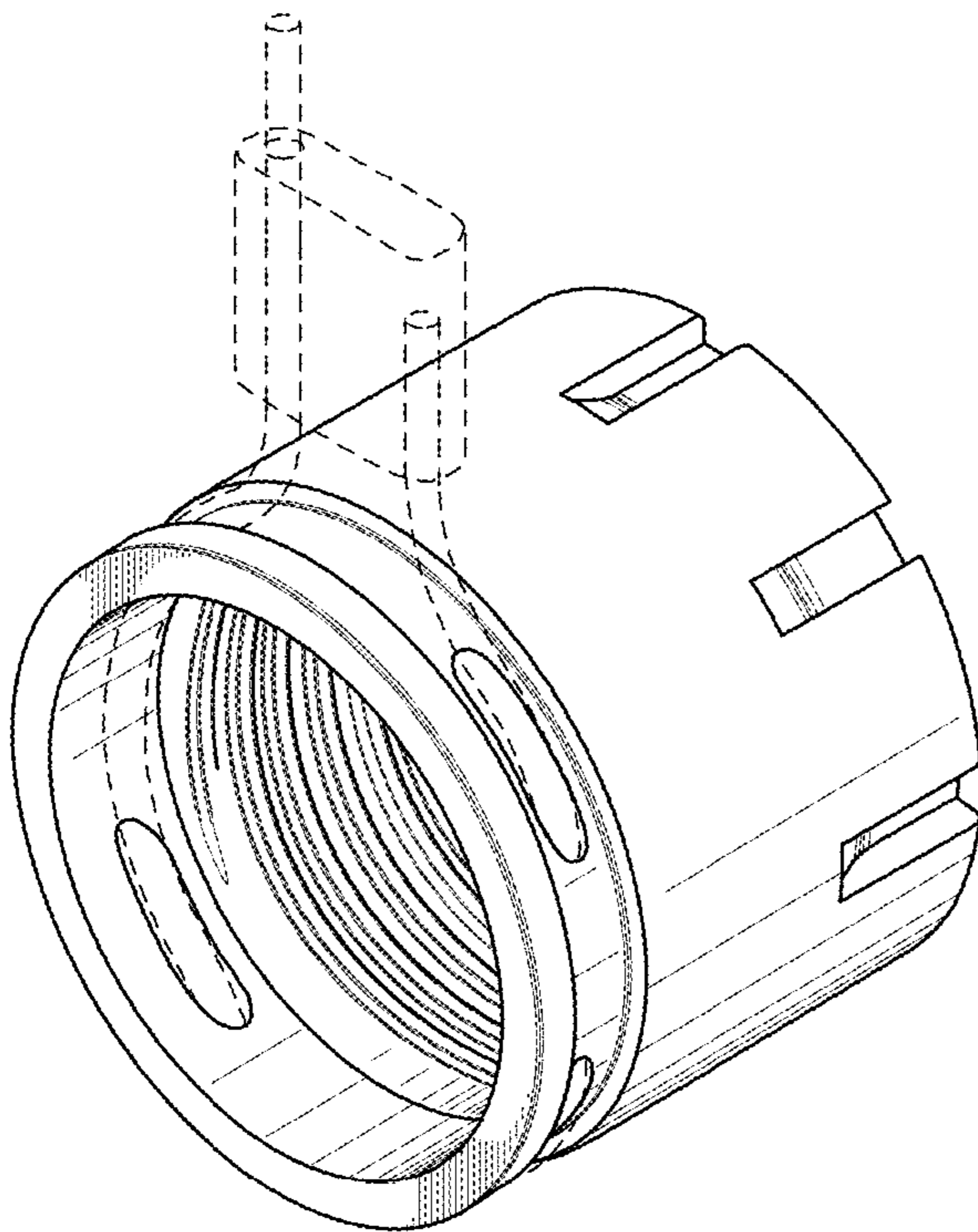


FIG. 2

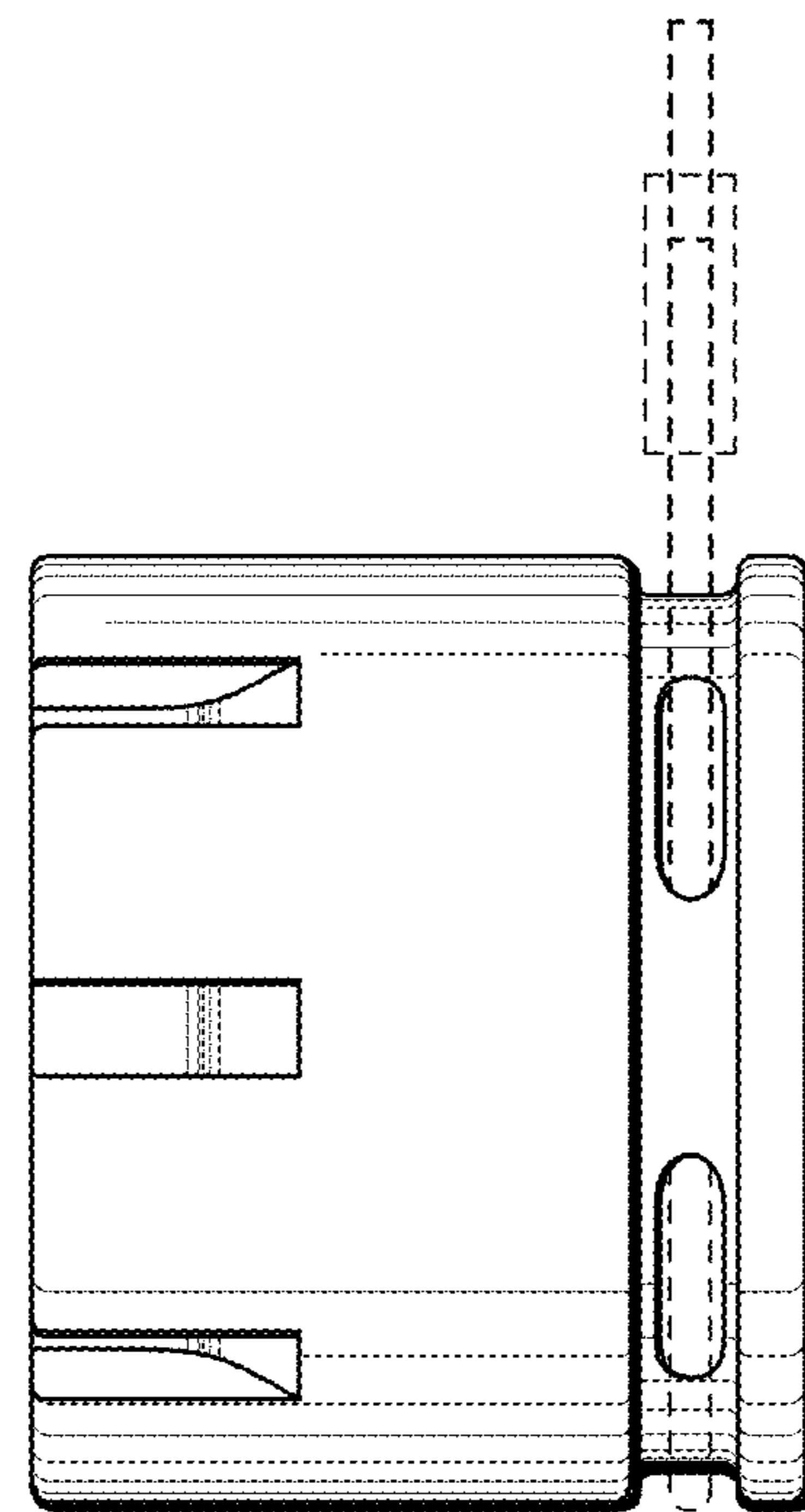


FIG. 4

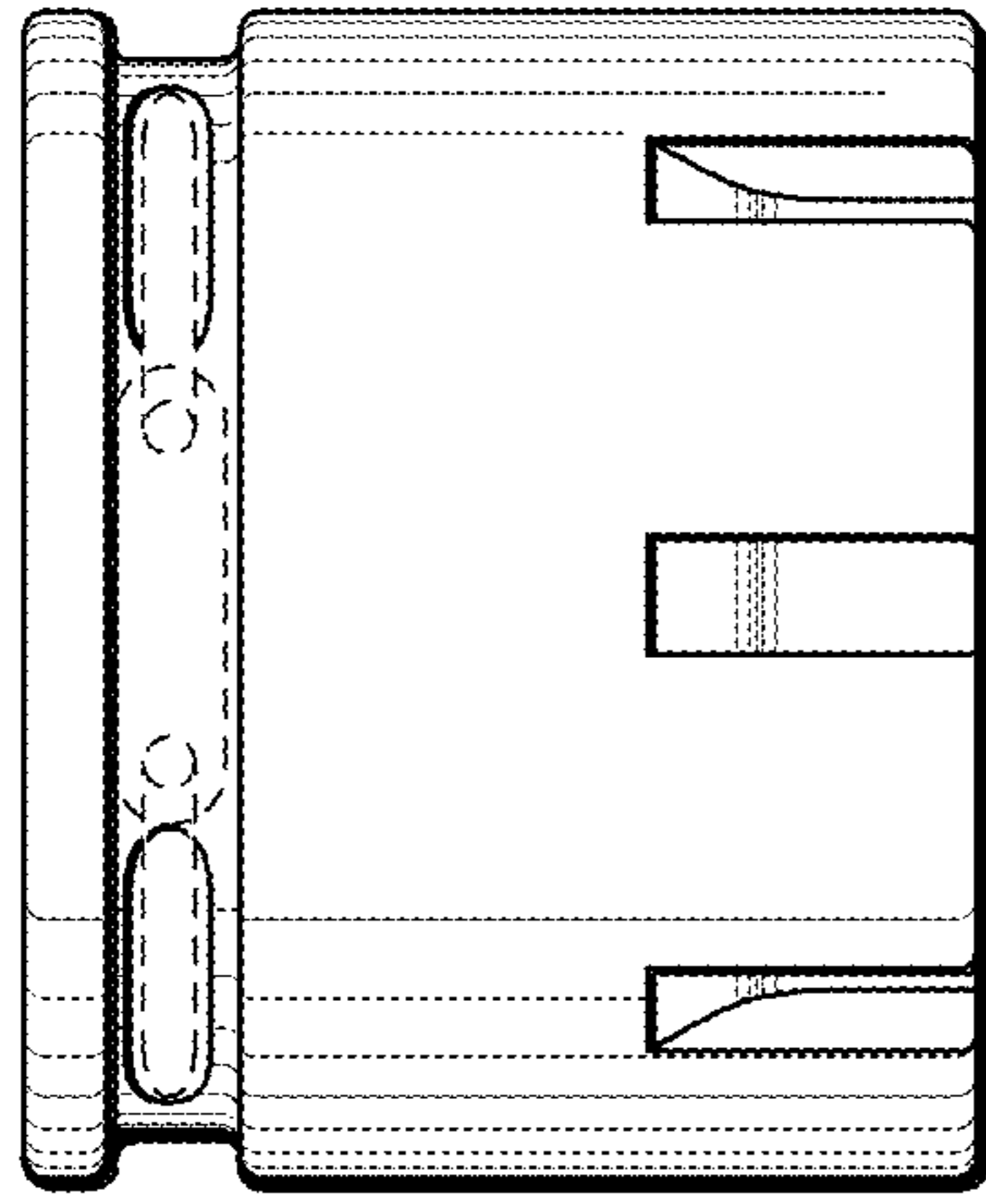


FIG. 5

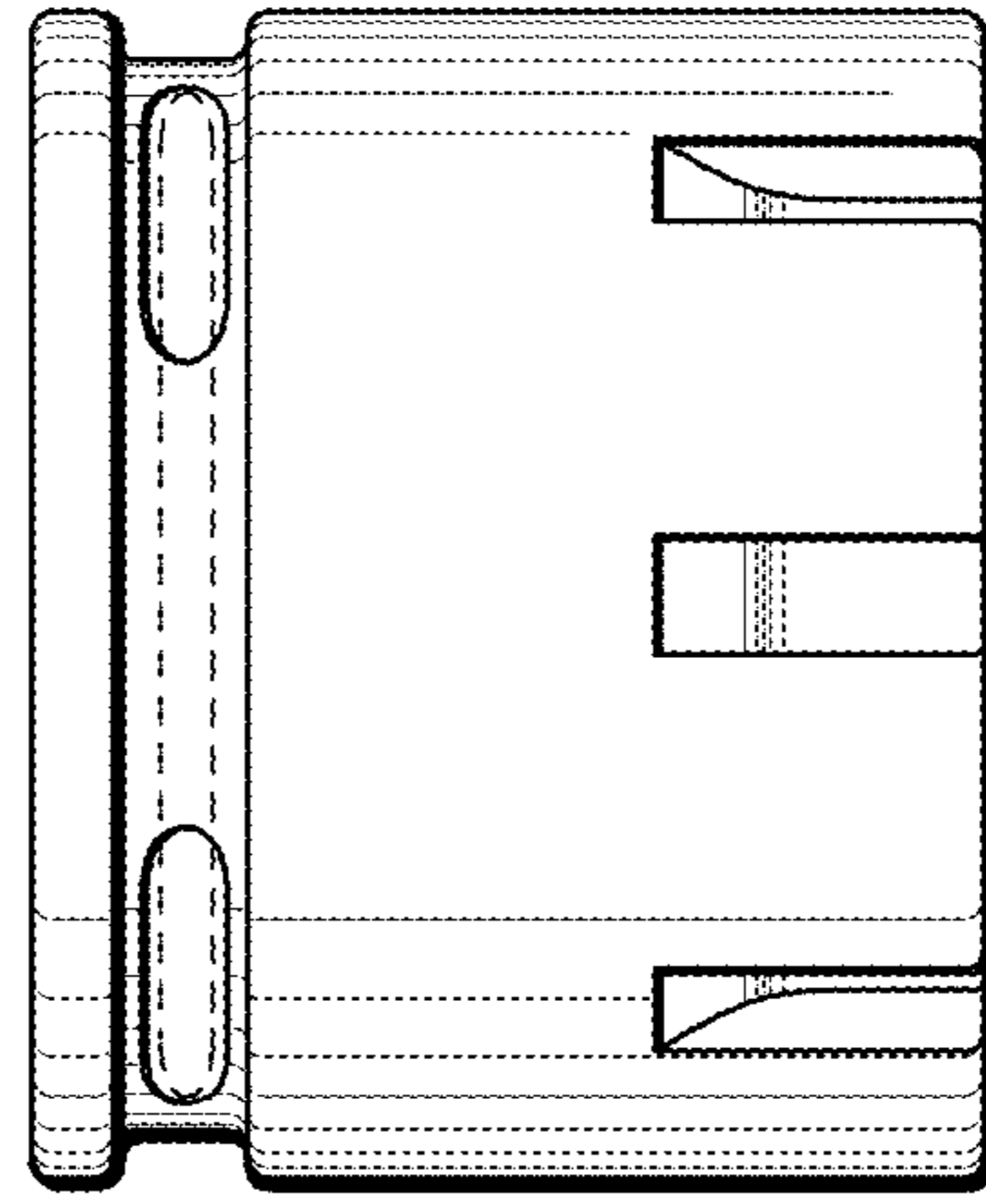


FIG. 6

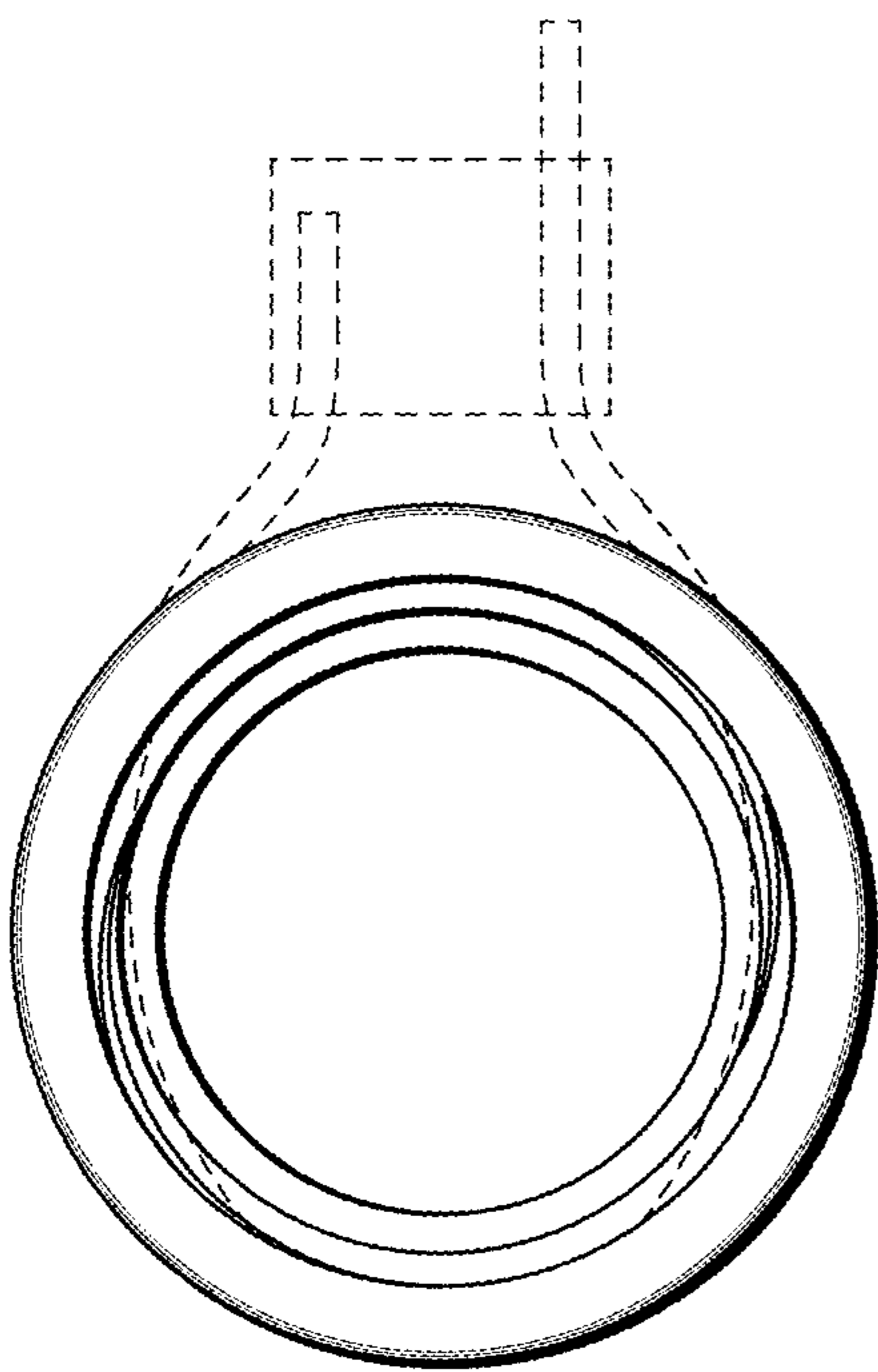


FIG. 7

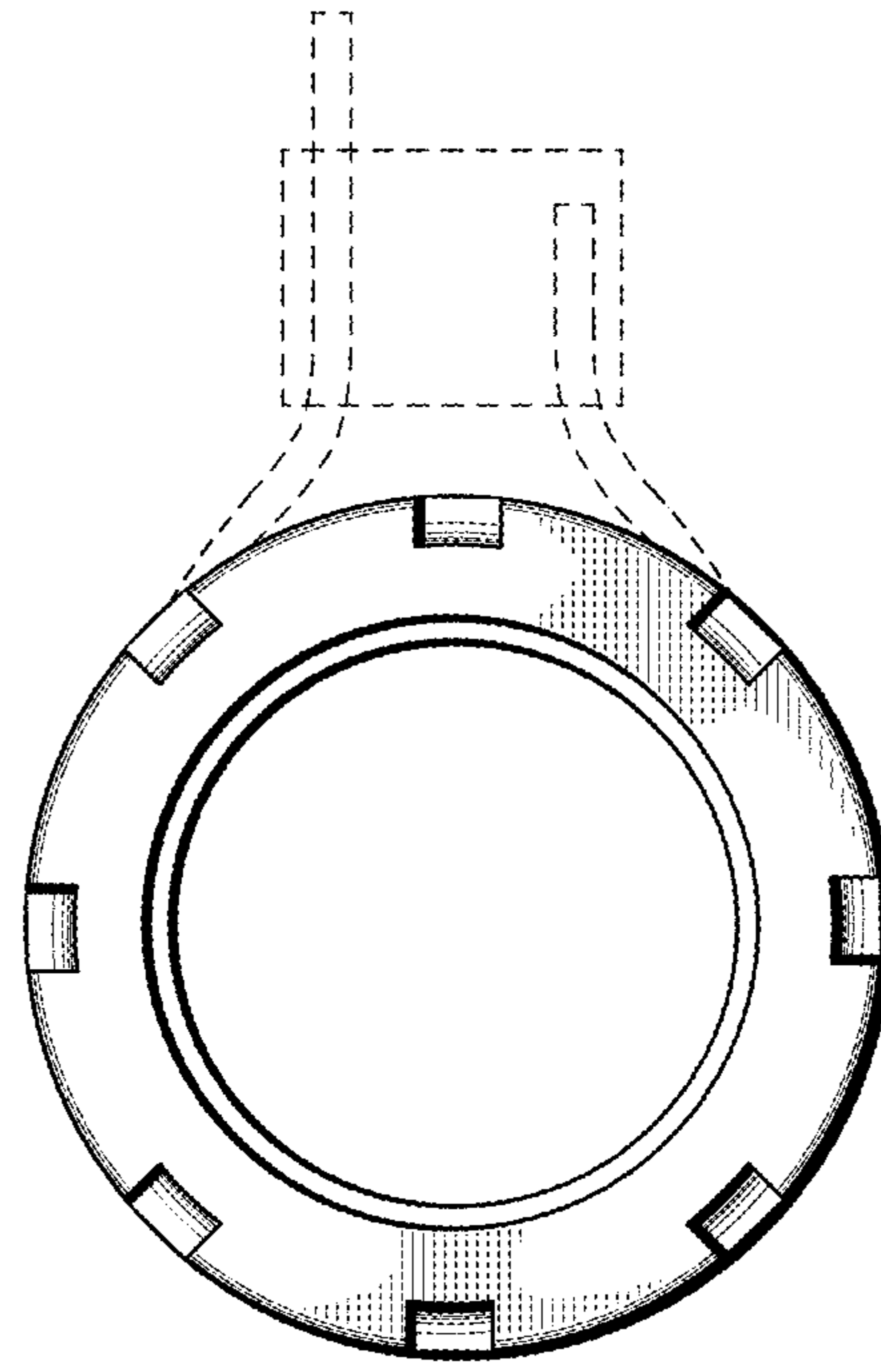


FIG. 8

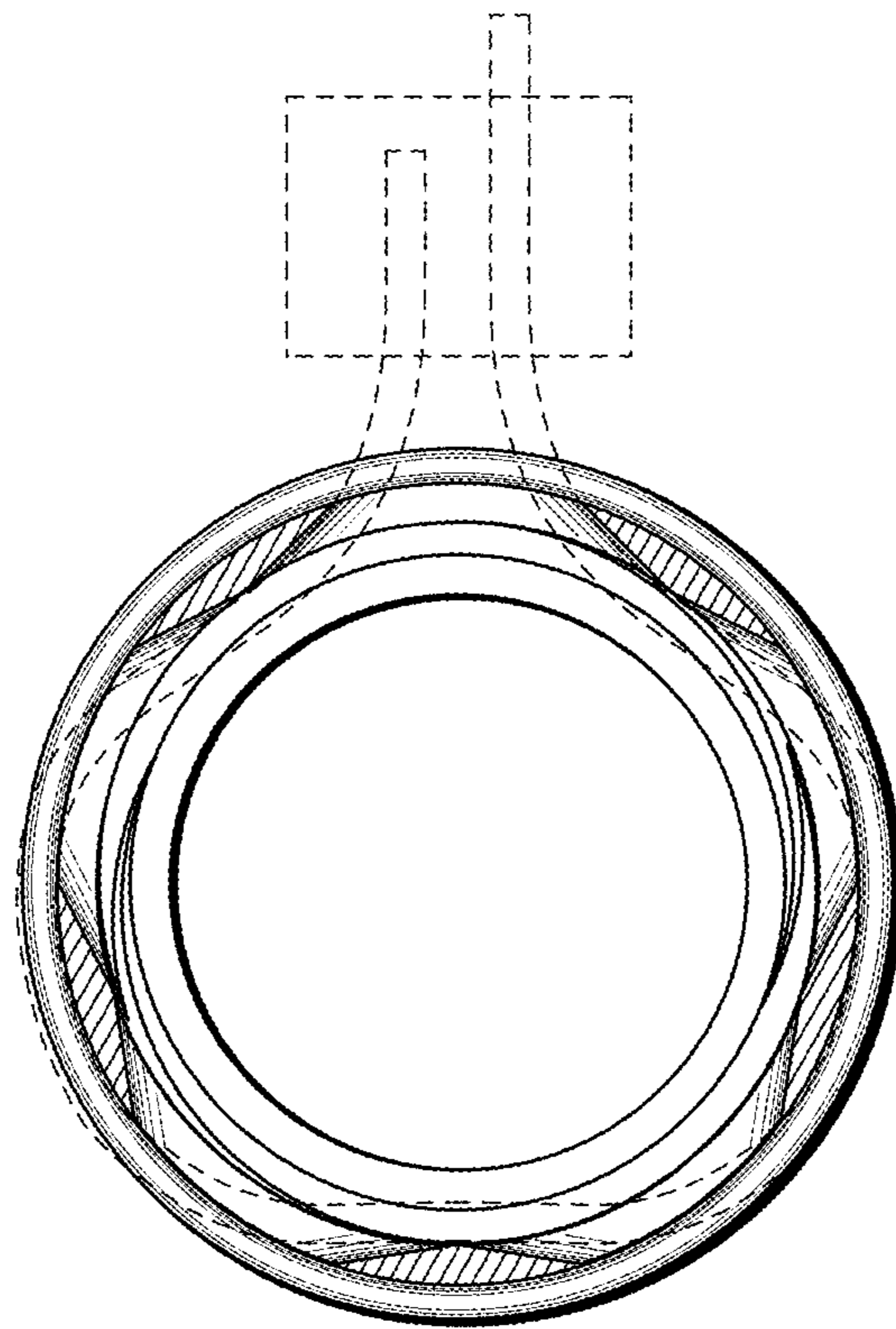


FIG. 18

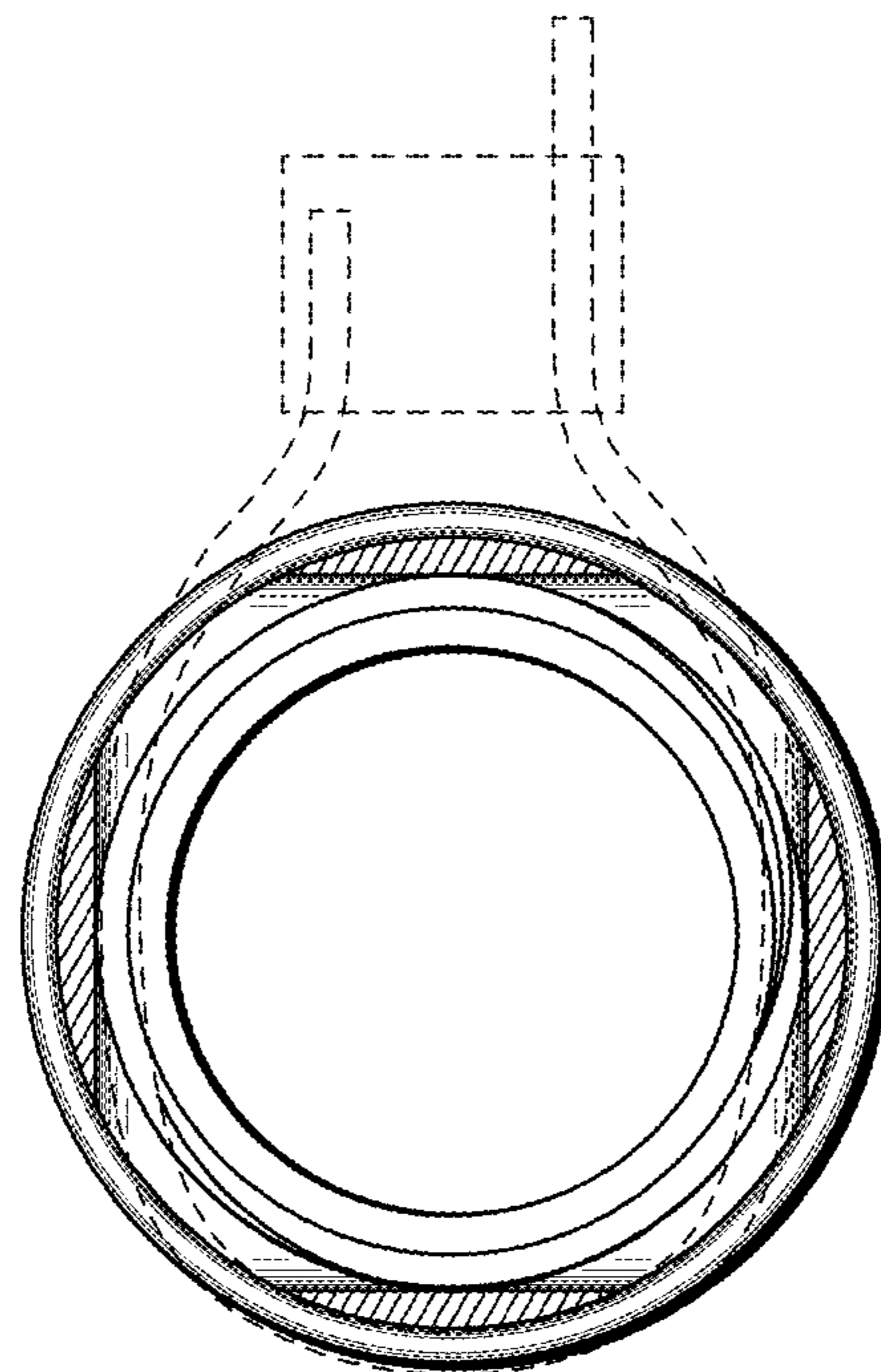


FIG. 9

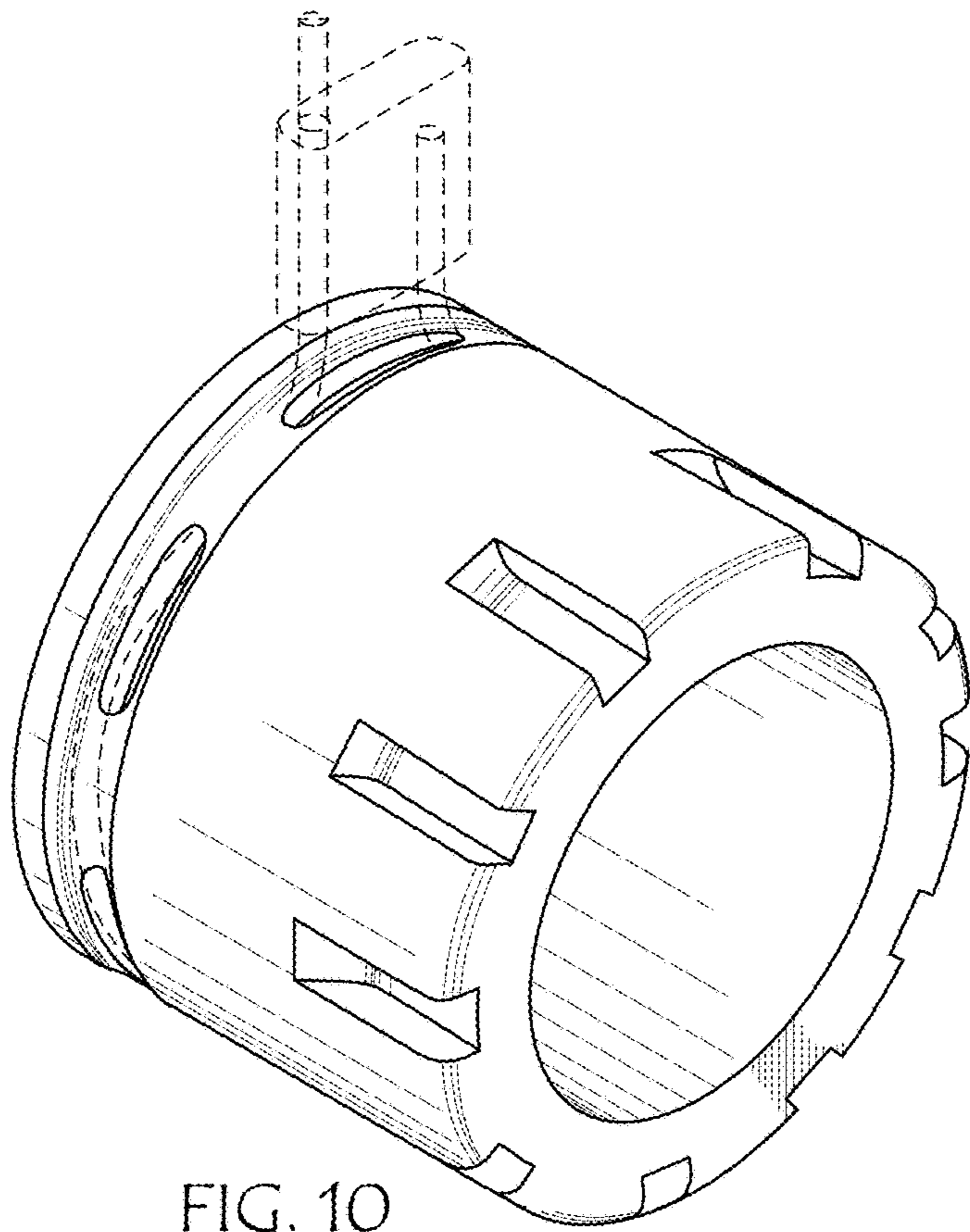


FIG. 10

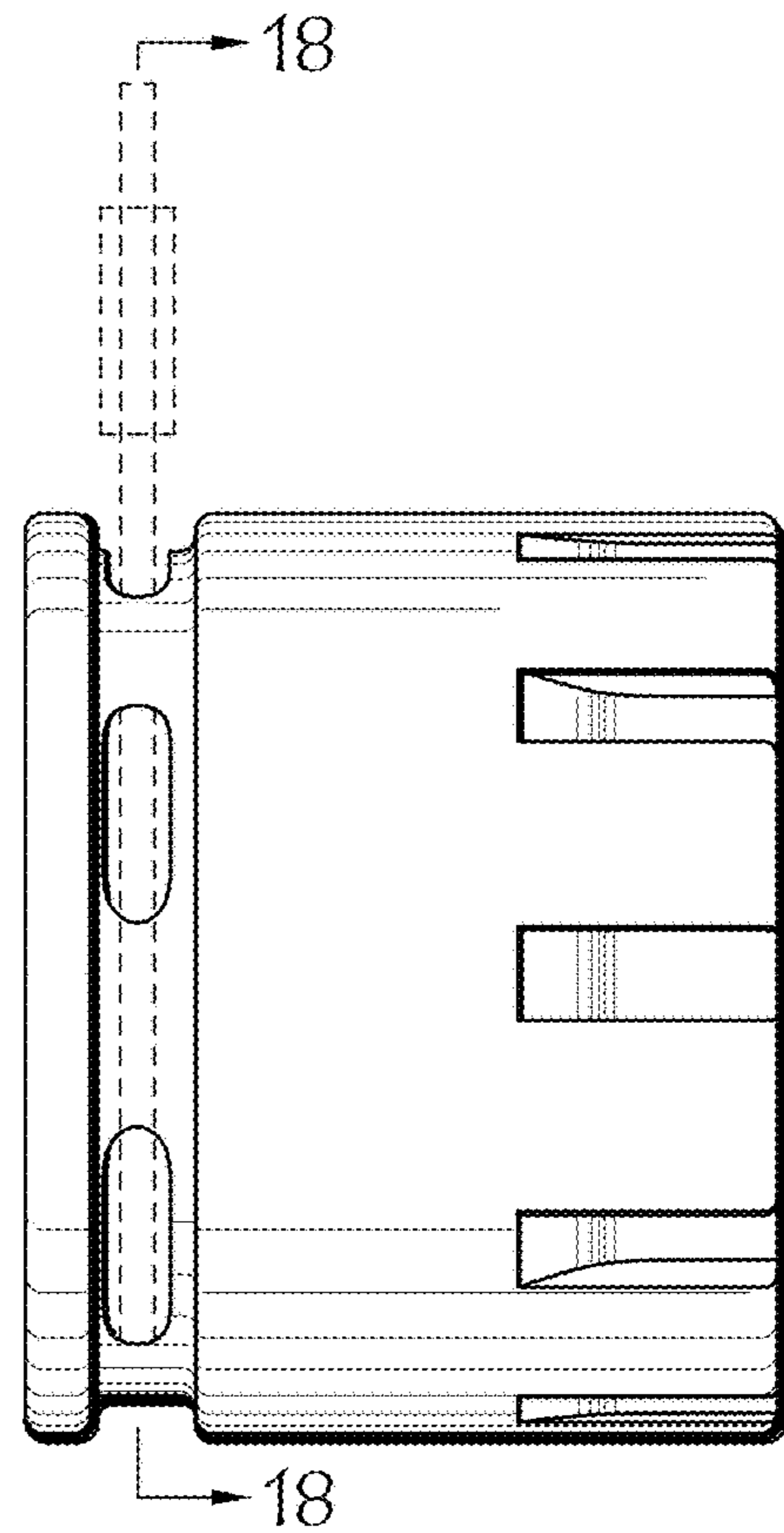


FIG. 12

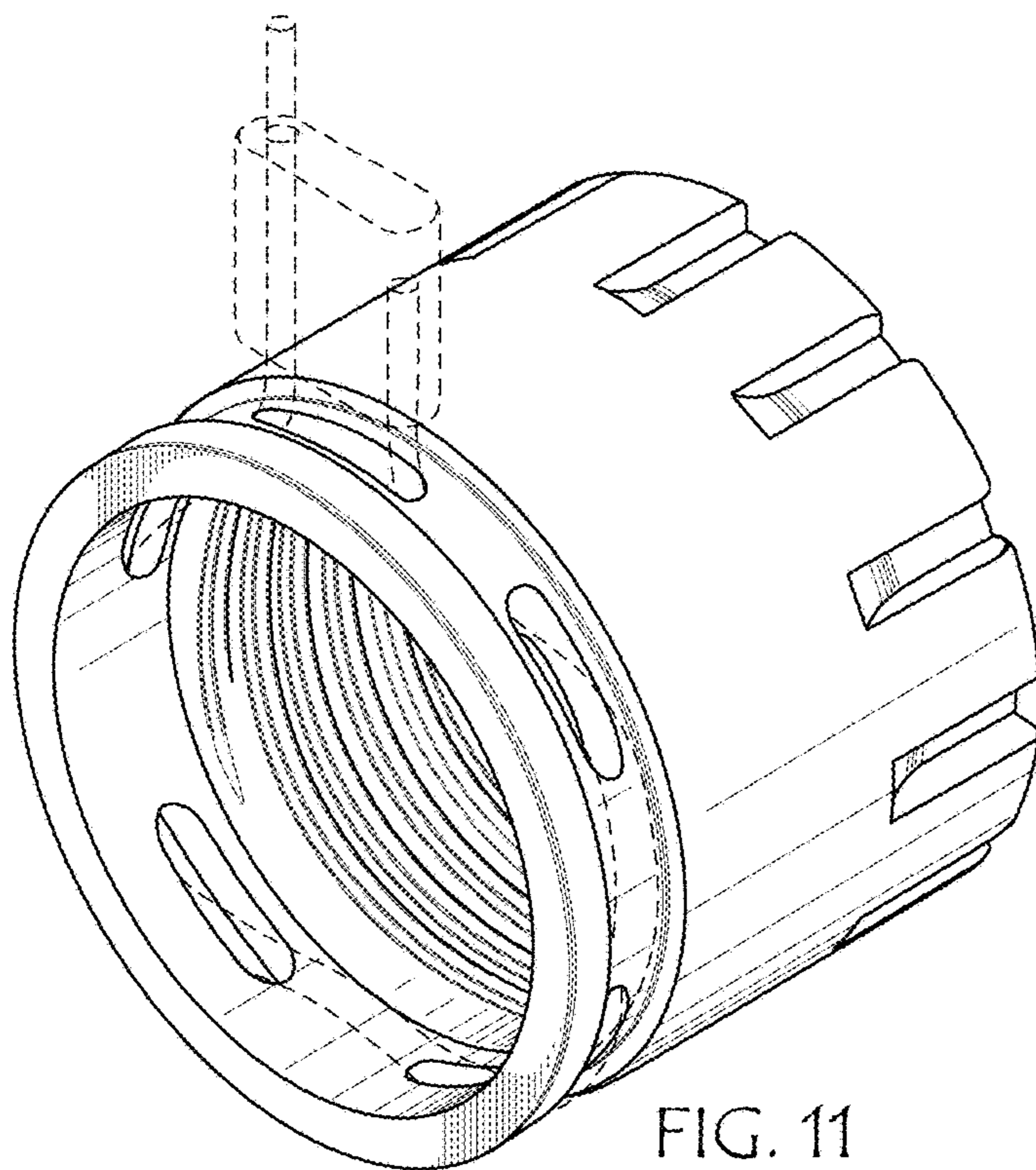


FIG. 11

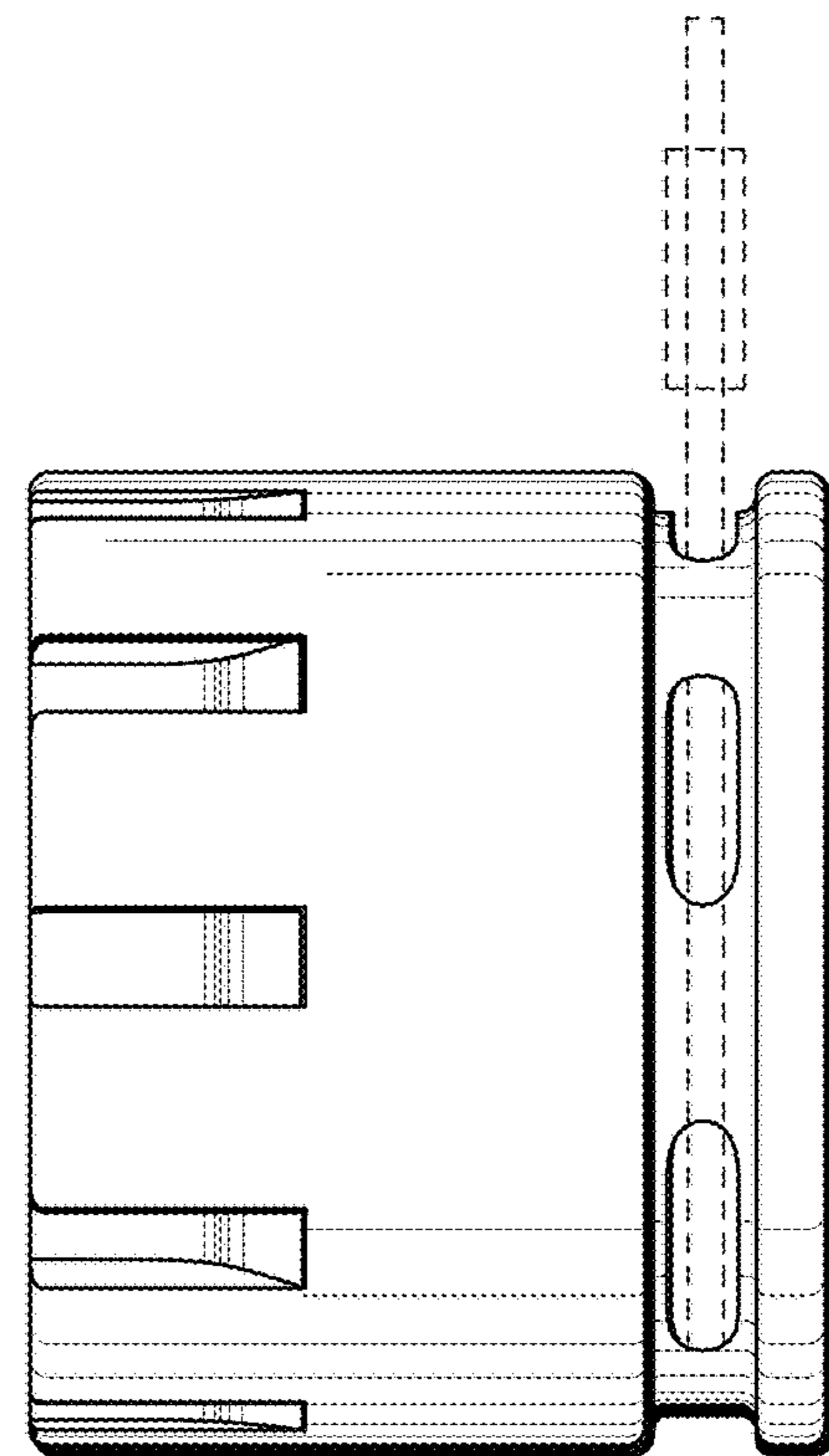


FIG. 13

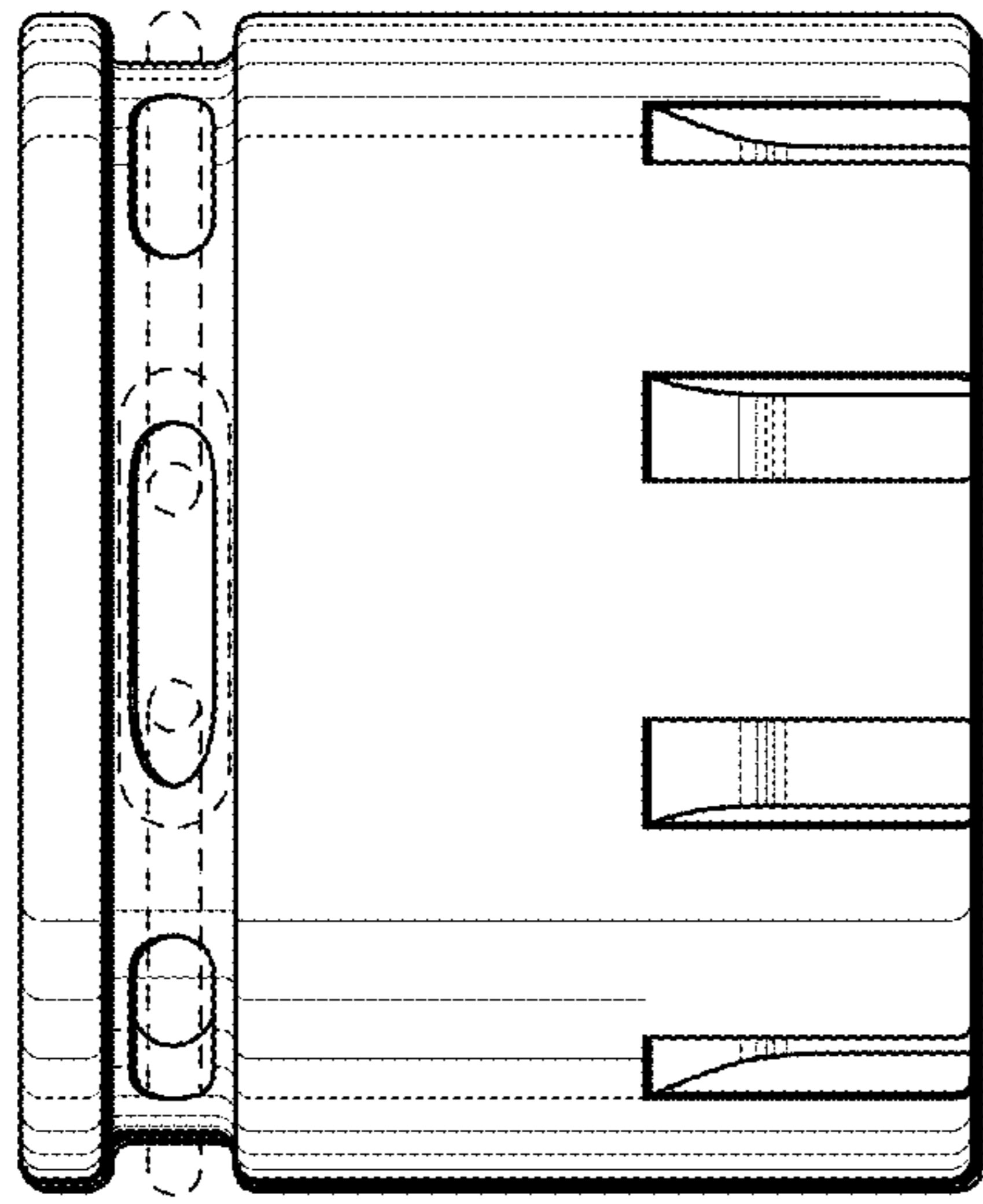


FIG. 14

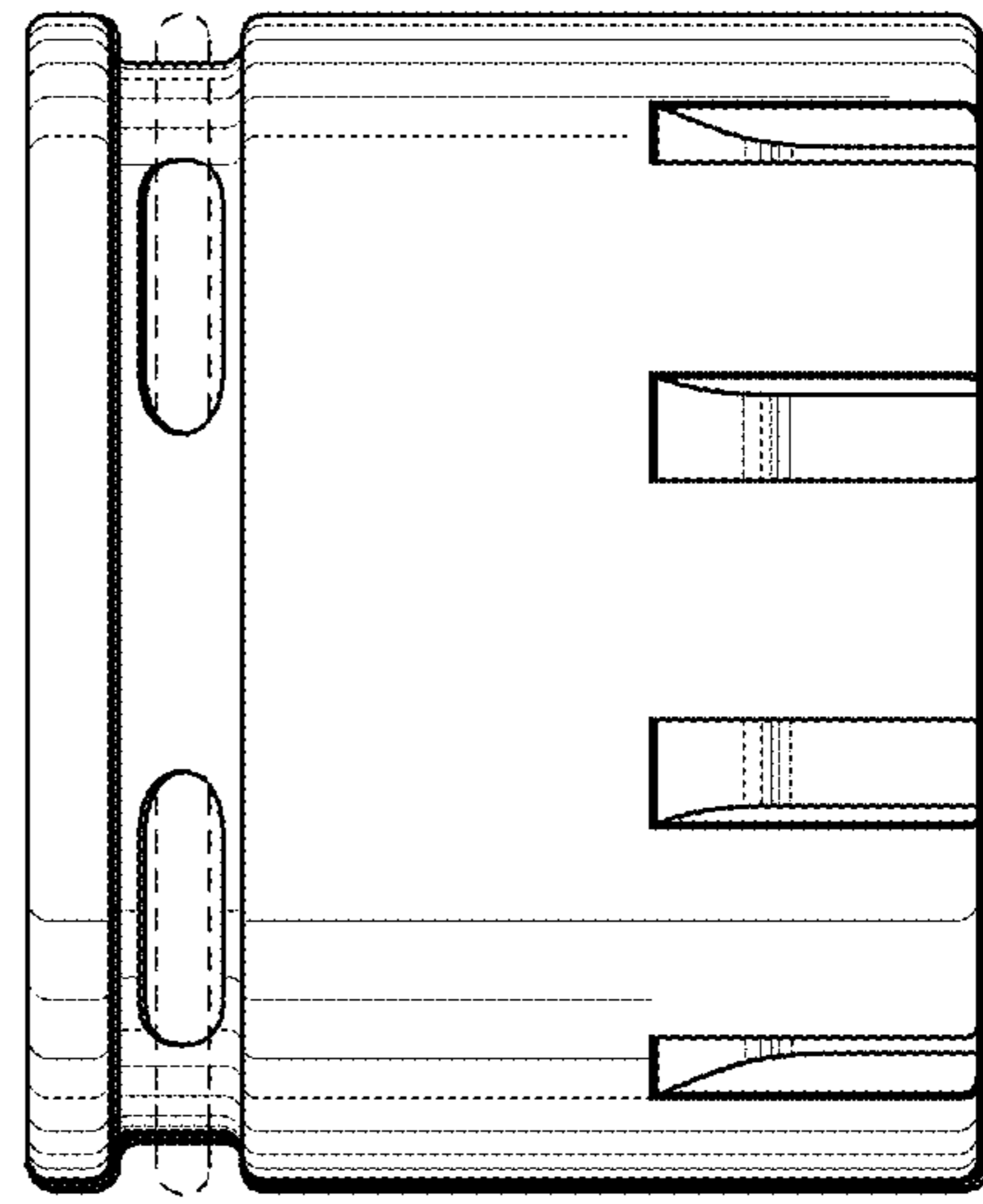


FIG. 15

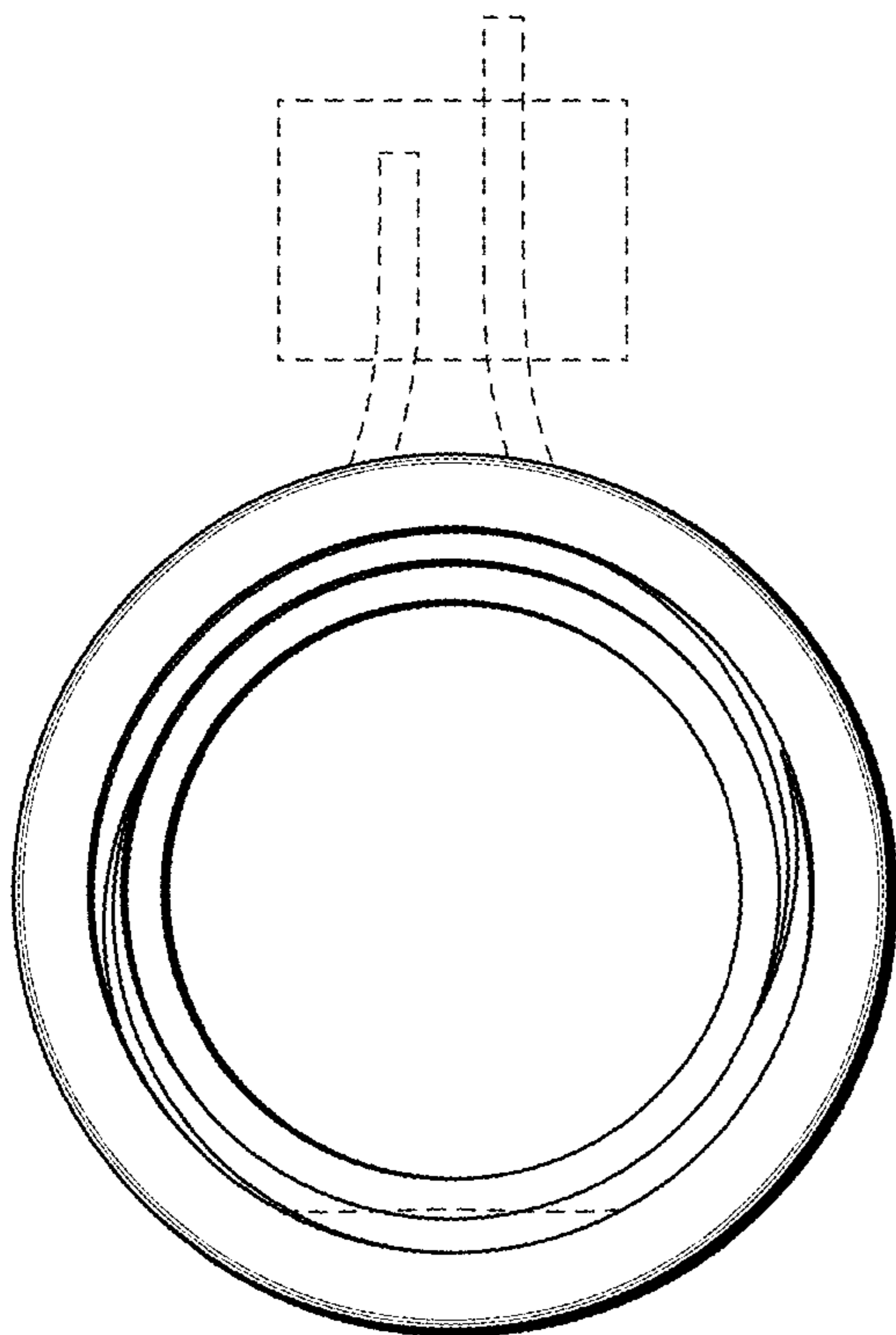


FIG. 16

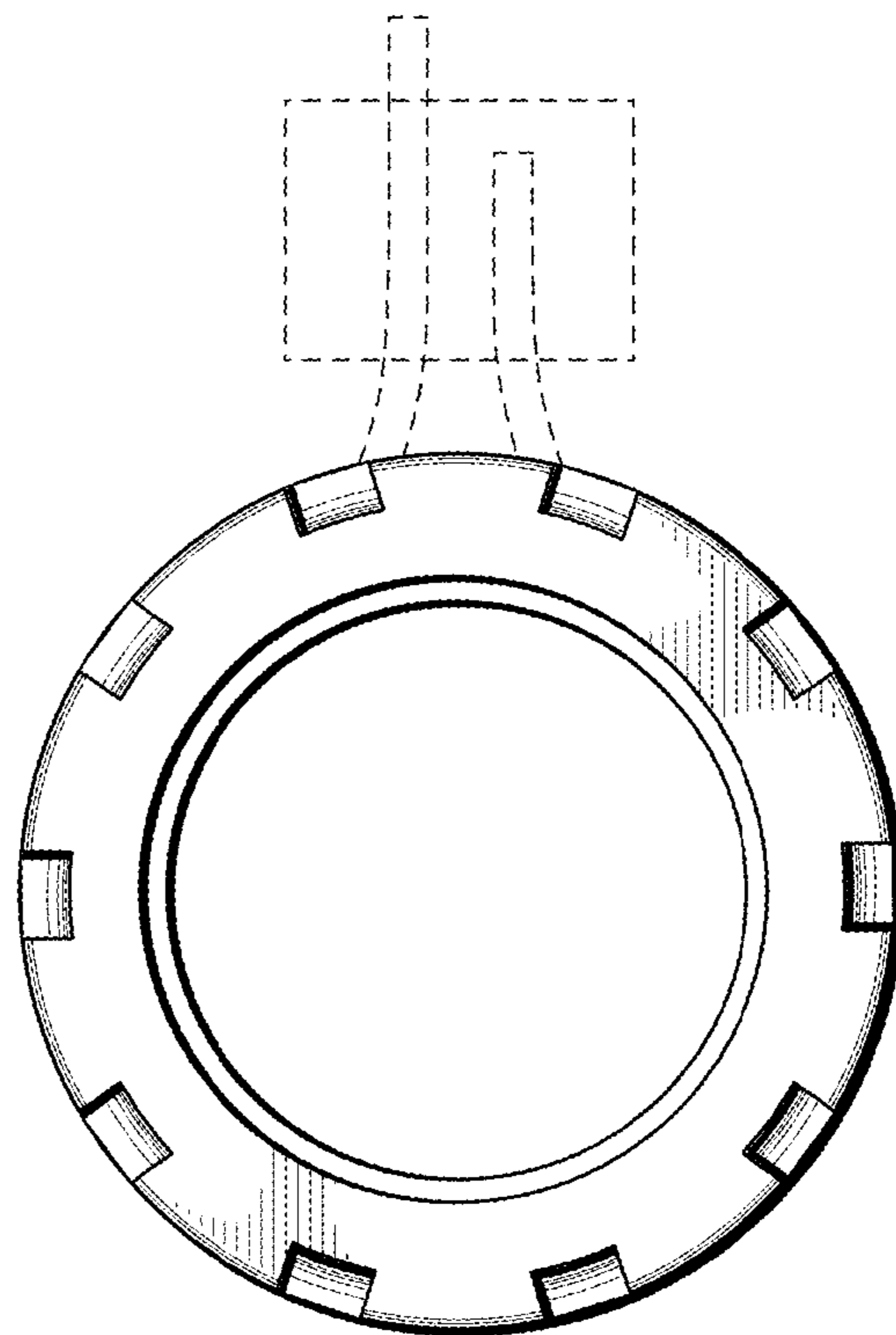


FIG. 17