



US00D777298S

(12) **United States Design Patent** (10) **Patent No.:** **US D777,298 S**
Van Schijndel et al. (45) **Date of Patent:** **** Jan. 24, 2017**

(54) **VALVE**
 (71) Applicant: **Asco Controls B.V.**, Scherpenzeel (NL)
 (72) Inventors: **Stefanus Theodorus Maria Van Schijndel**, Leersum (NL); **Marcel Petrus Wilhelmus Linnenbank**, Leusden (NL)

D558,859 S *	1/2008	Kato	D23/233
D562,436 S *	2/2008	Kato	D23/233
D609,307 S *	2/2010	Moriyama	D23/233
D615,618 S *	5/2010	Someya	D23/233
D633,985 S *	3/2011	Spadotto	D23/233
D720,430 S *	12/2014	Yoshida	D23/233
D738,464 S *	9/2015	Yoshida	D23/233
D738,465 S *	9/2015	Yoshida	D23/233
2015/0108382 A1 *	4/2015	Svensson	F16K 31/02 251/129.19

(73) Assignee: **ASCO CONTROLS B.V.**, Scherpenzeel (NL)

* cited by examiner

(**) Term: **15 Years**

Primary Examiner — Cynthia Ramirez
Assistant Examiner — Gino Colan

(21) Appl. No.: **29/537,511**

(74) *Attorney, Agent, or Firm* — TraskBritt P.C.

(22) Filed: **Aug. 26, 2015**

(30) **Foreign Application Priority Data**

Mar. 31, 2015 (EM) 002673145-0001

(51) **LOC (10) Cl.** **23-01**

(52) **U.S. Cl.**
 USPC **D23/248**

(58) **Field of Classification Search**
 USPC D23/233-250; 137/487.5, 625.48, 12, 137/468, 625.64, 870, 13, 599.07, 625.67, 137/862; 251/129.15, 129.01, 129.09, 251/129.11, 129.16
 CPC F16K 31/0675; F16K 31/06; F16K 27/029; F16K 27/048; F16K 31/402
 See application file for complete search history.

(56) **References Cited**
 U.S. PATENT DOCUMENTS

D416,076 S * 11/1999 Okitsu D23/235

(57) **CLAIM**

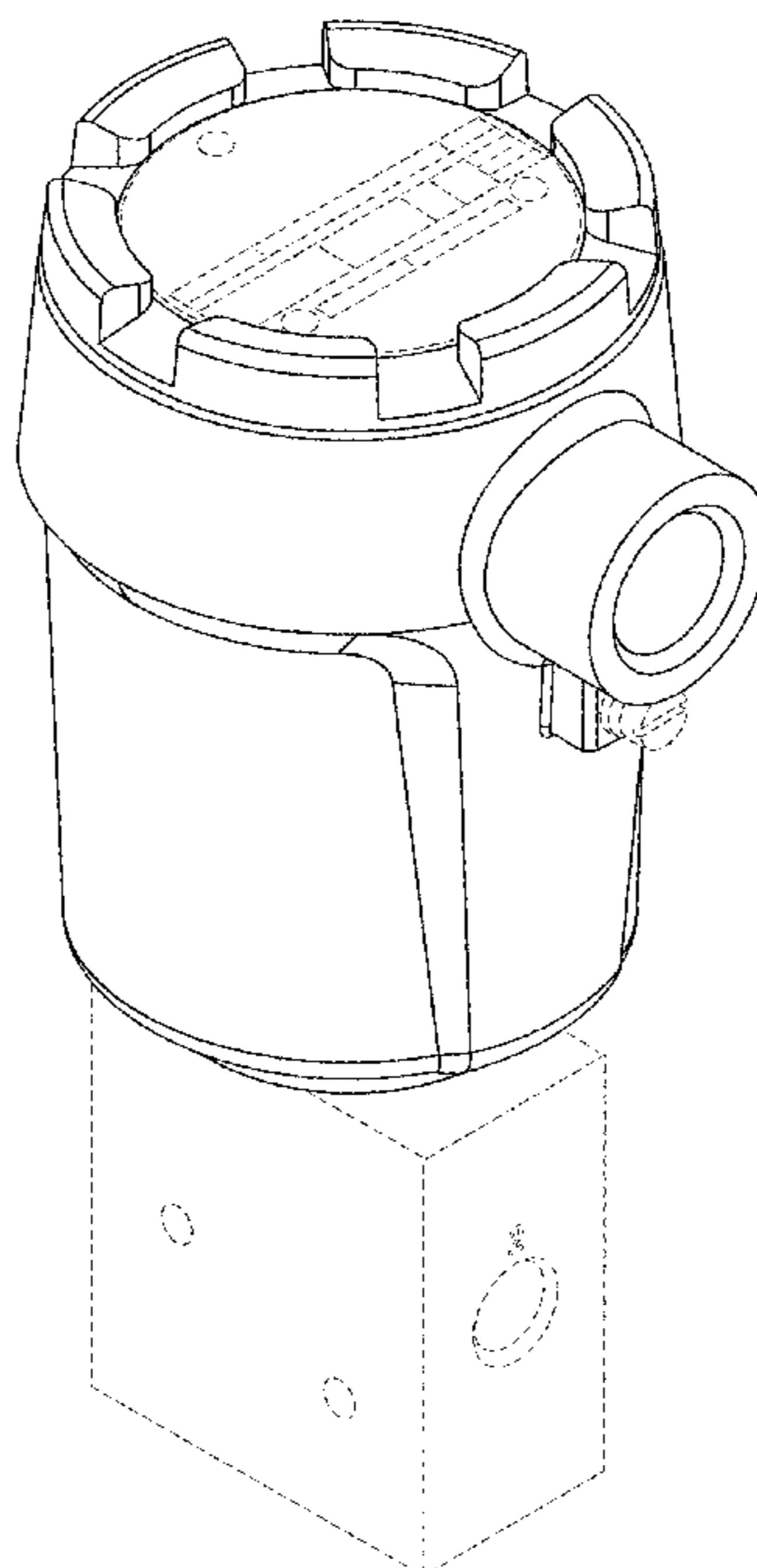
The ornamental design for a valve, as shown and described.

DESCRIPTION

FIG. 1 is a front view of a valve showing our new design; FIG. 2 is a right elevational view thereof; FIG. 3 is a back elevational view thereof; FIG. 4 is a front perspective view thereof; FIG. 5 is a rear perspective view thereof; FIG. 6 is a side perspective view thereof; FIG. 7 is a top plan view thereof; and, FIG. 8 is a bottom plan view thereof.

The broken lines in the drawings are included for the purpose of illustrating portions of the valve and form no part of the claimed design.

1 Claim, 7 Drawing Sheets



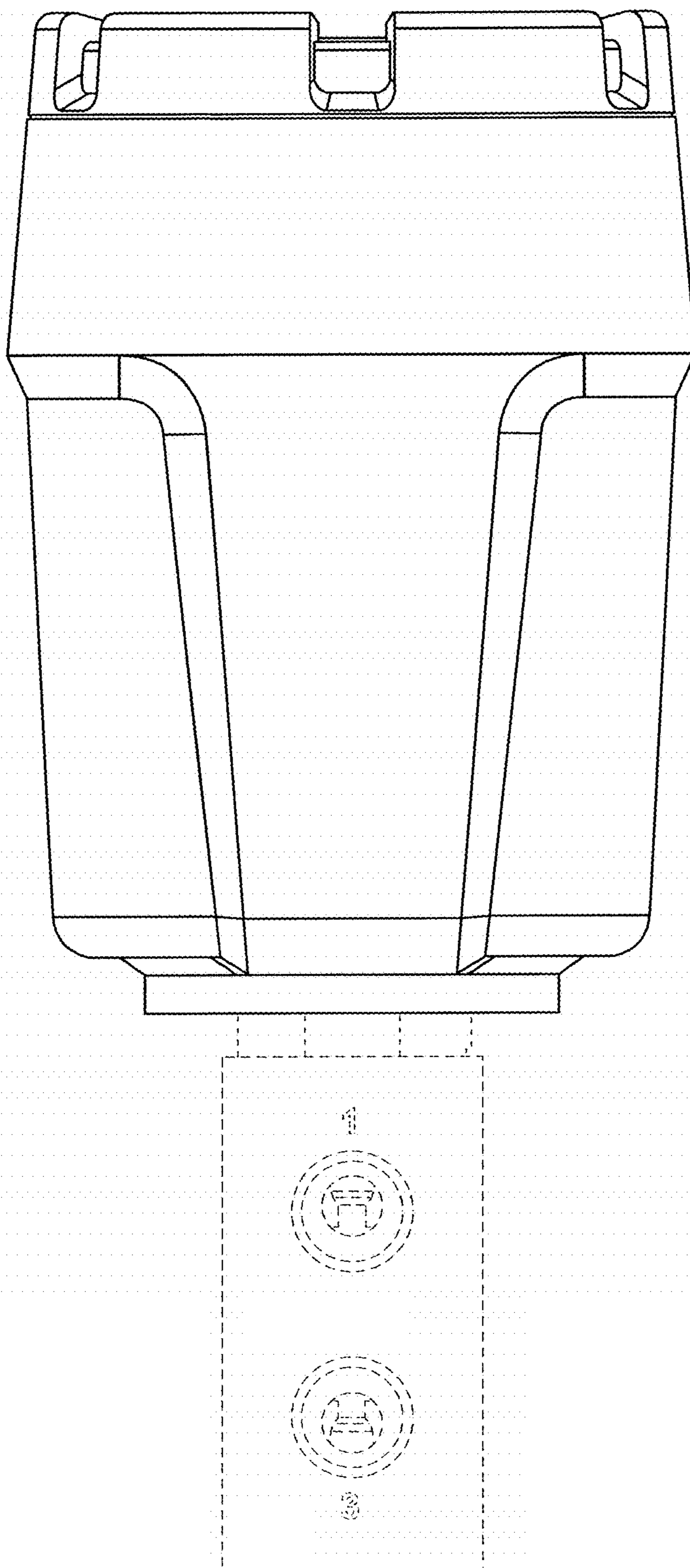


FIG. 1

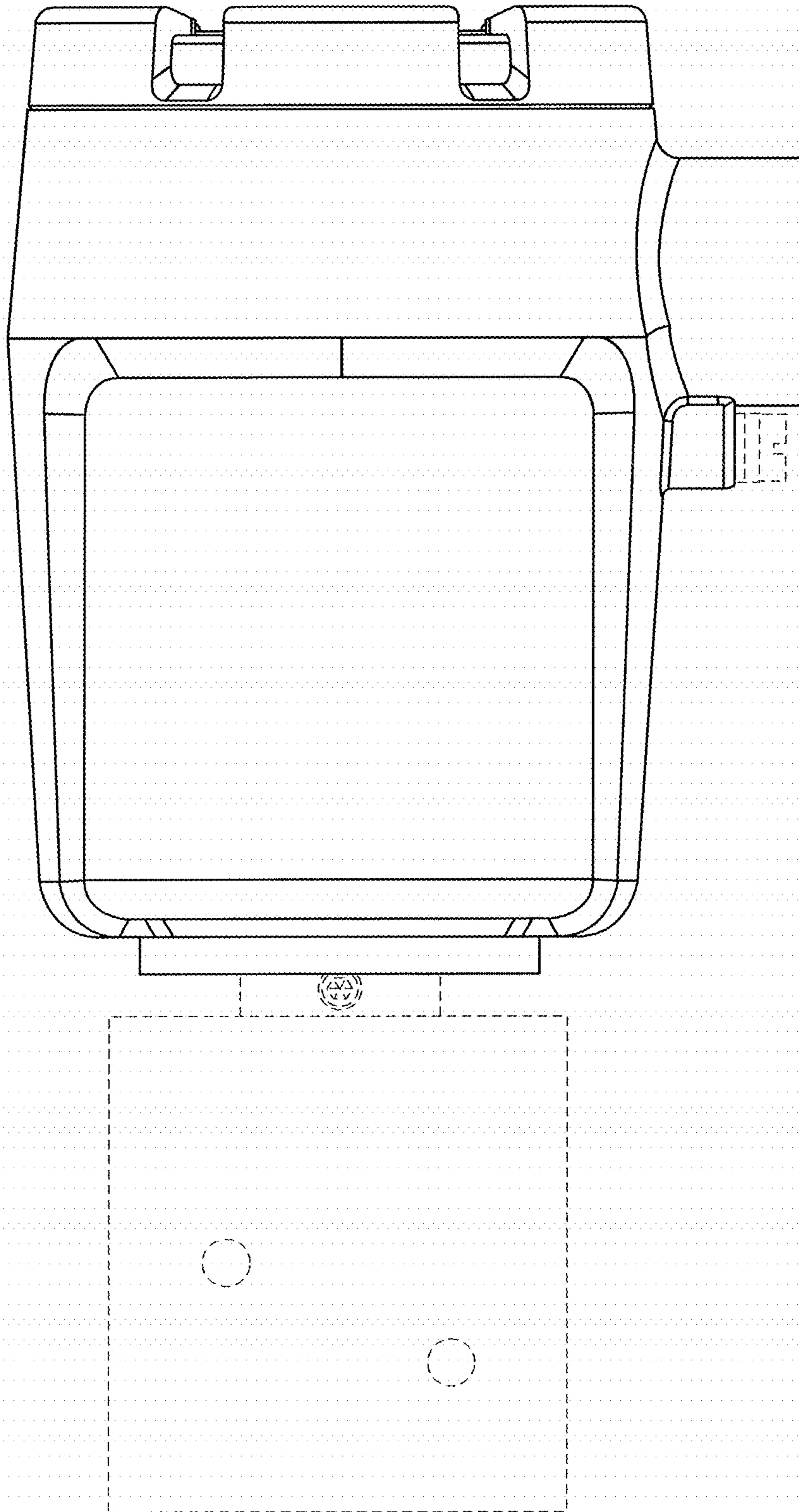


FIG. 2

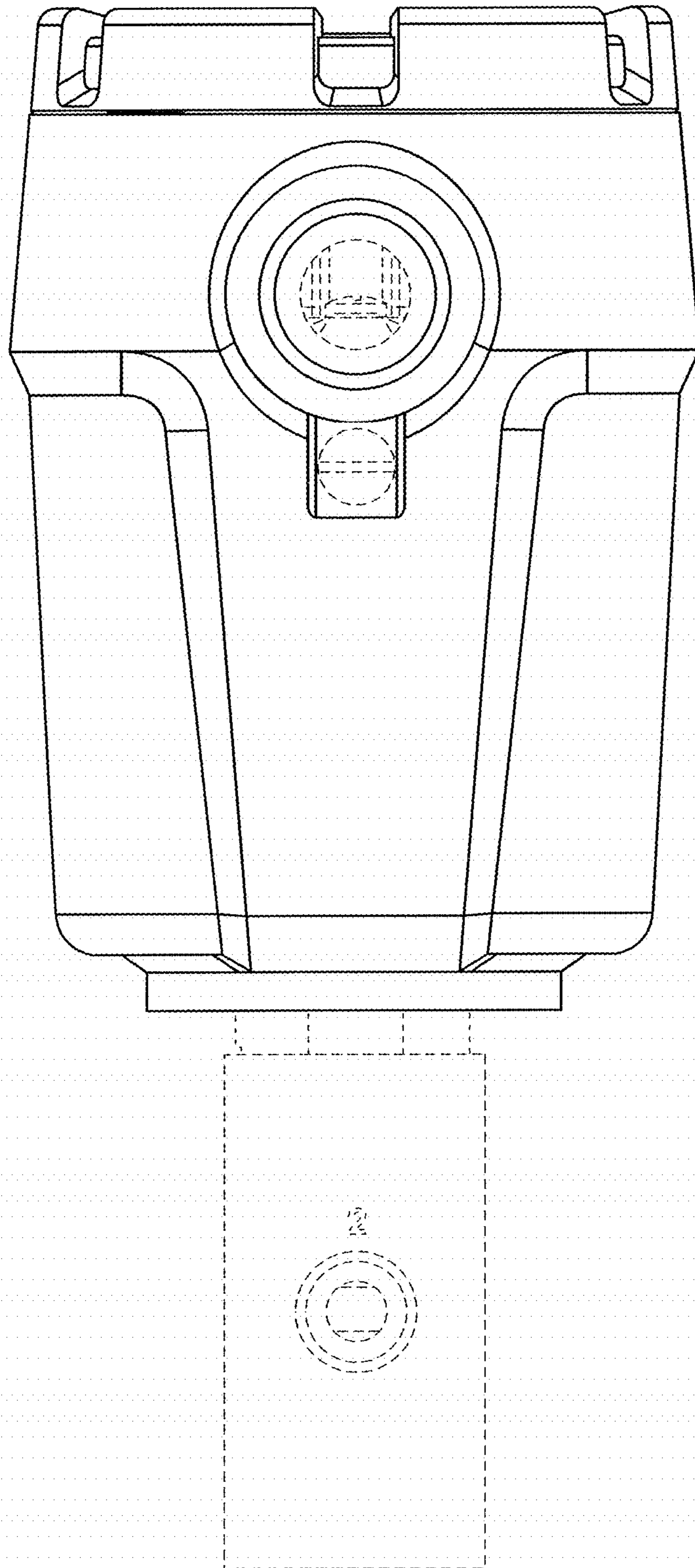


FIG. 3

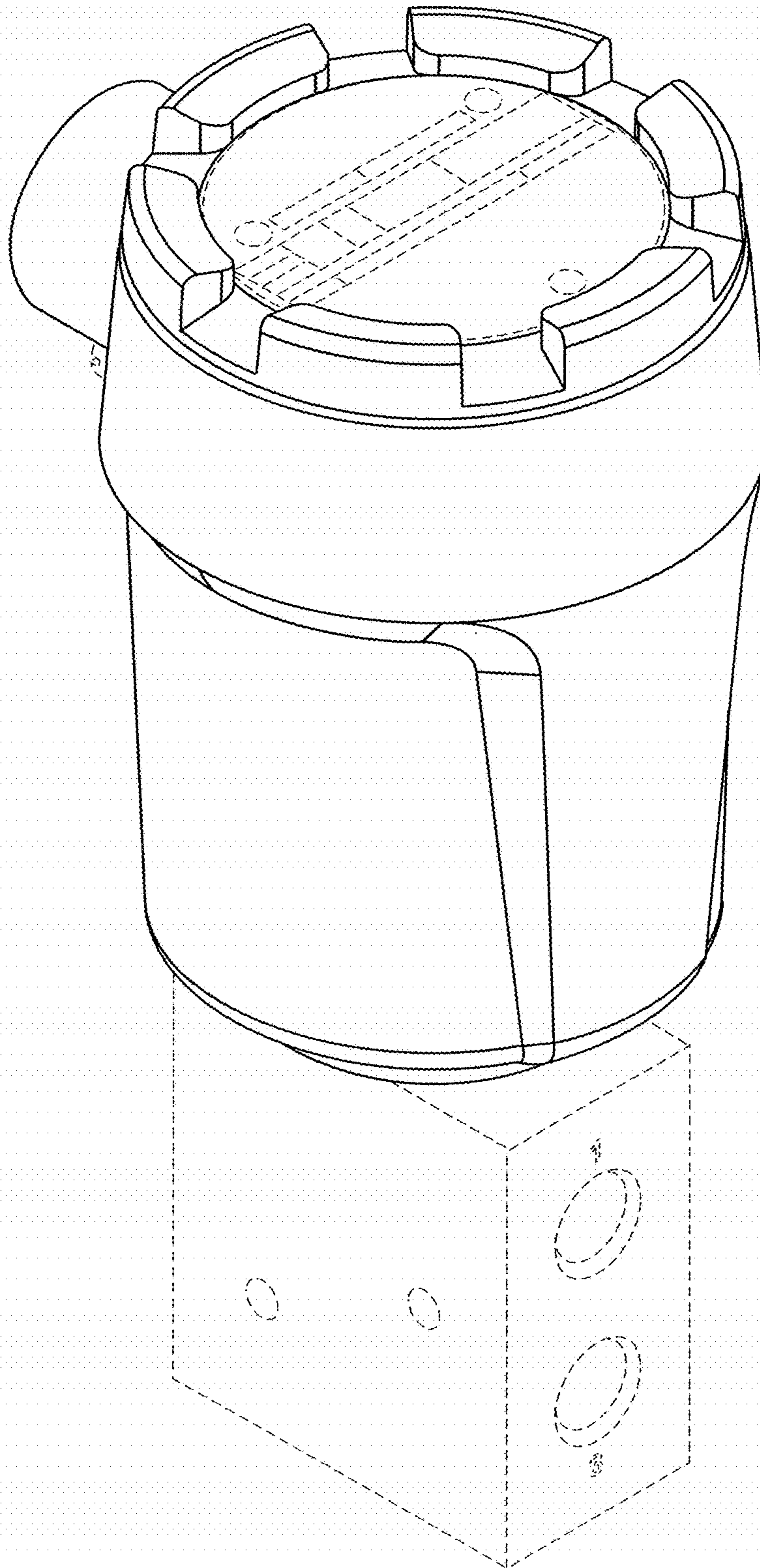


FIG. 4

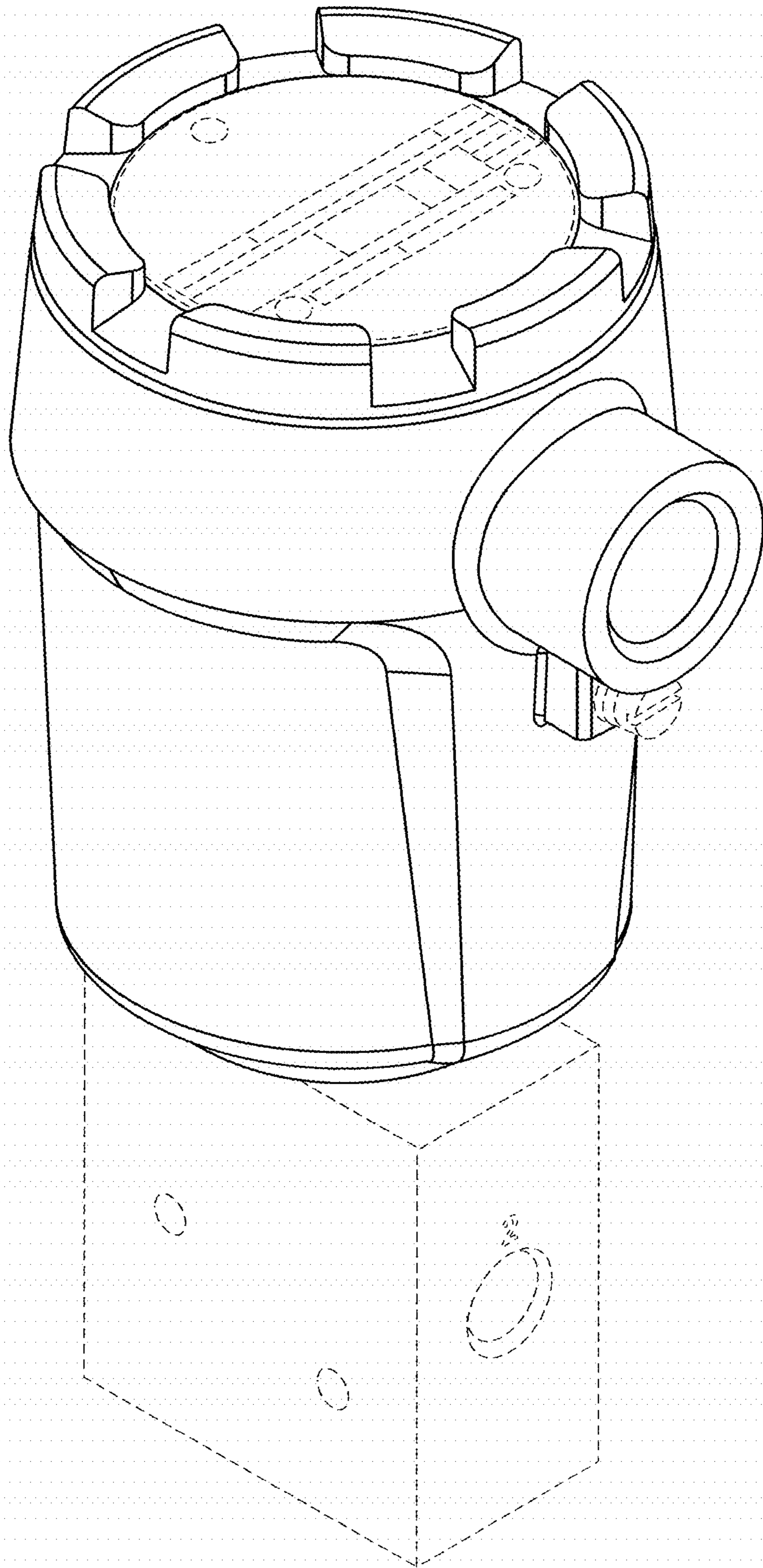


FIG. 5

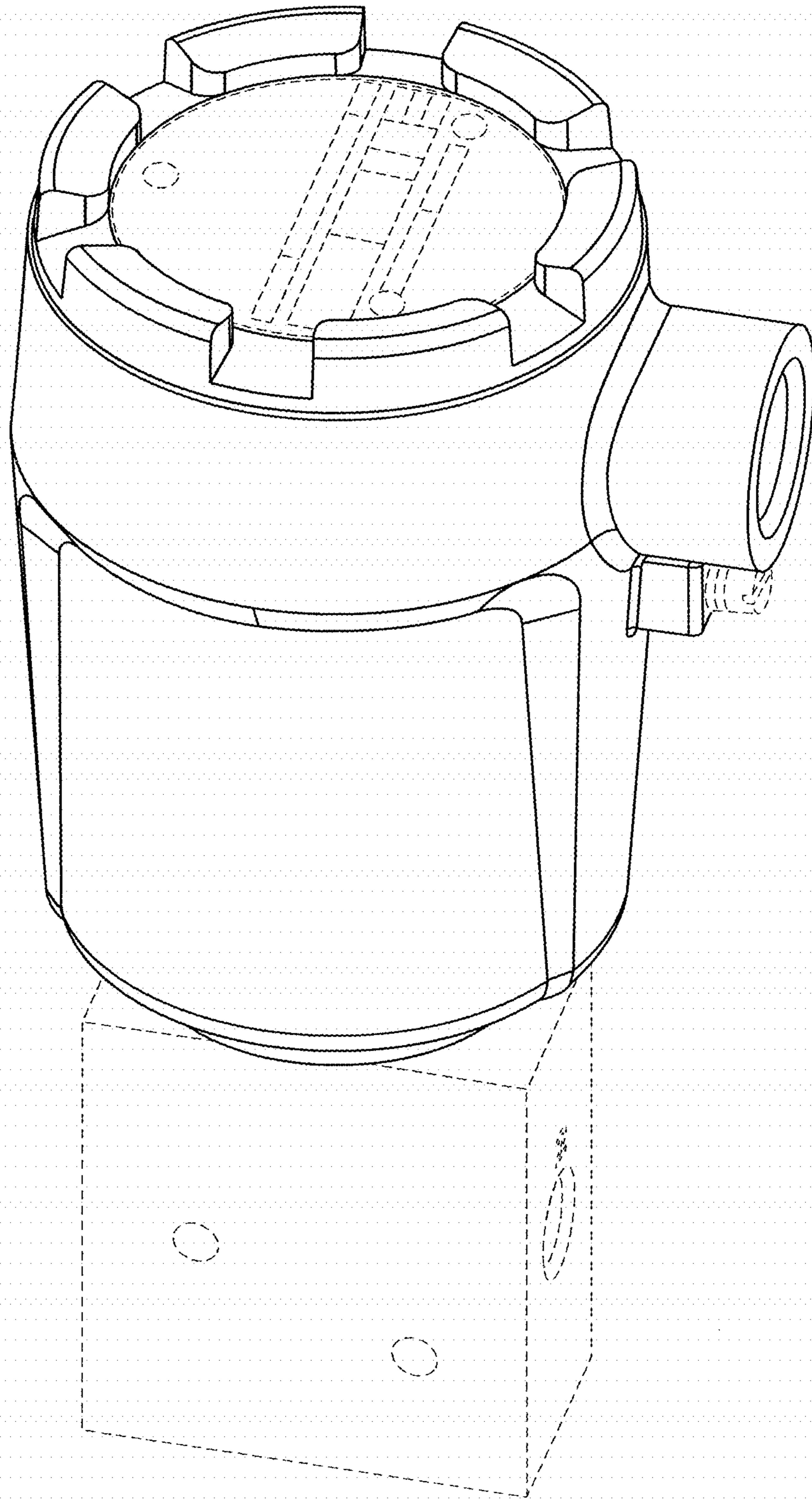


FIG. 6

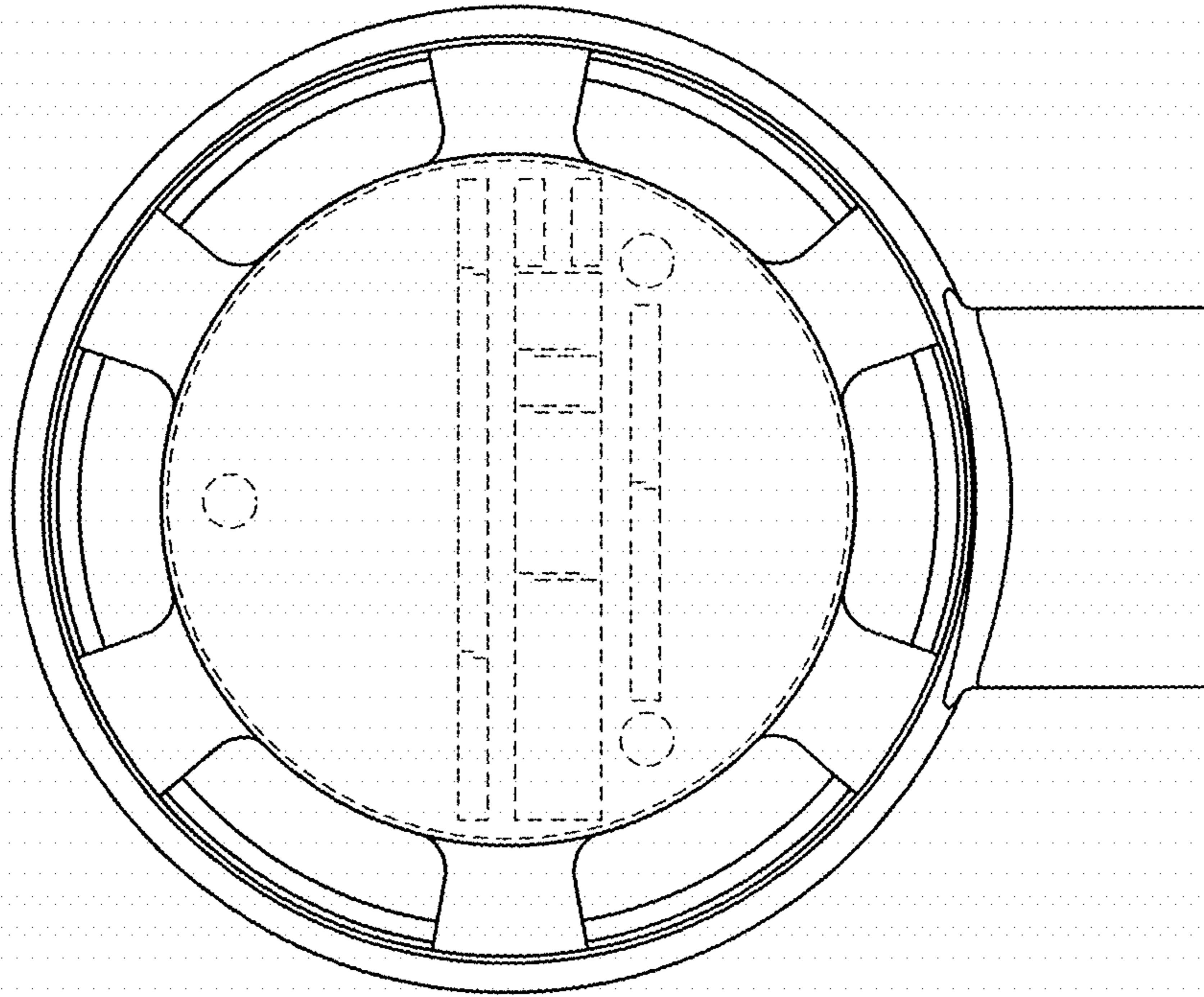


FIG. 7

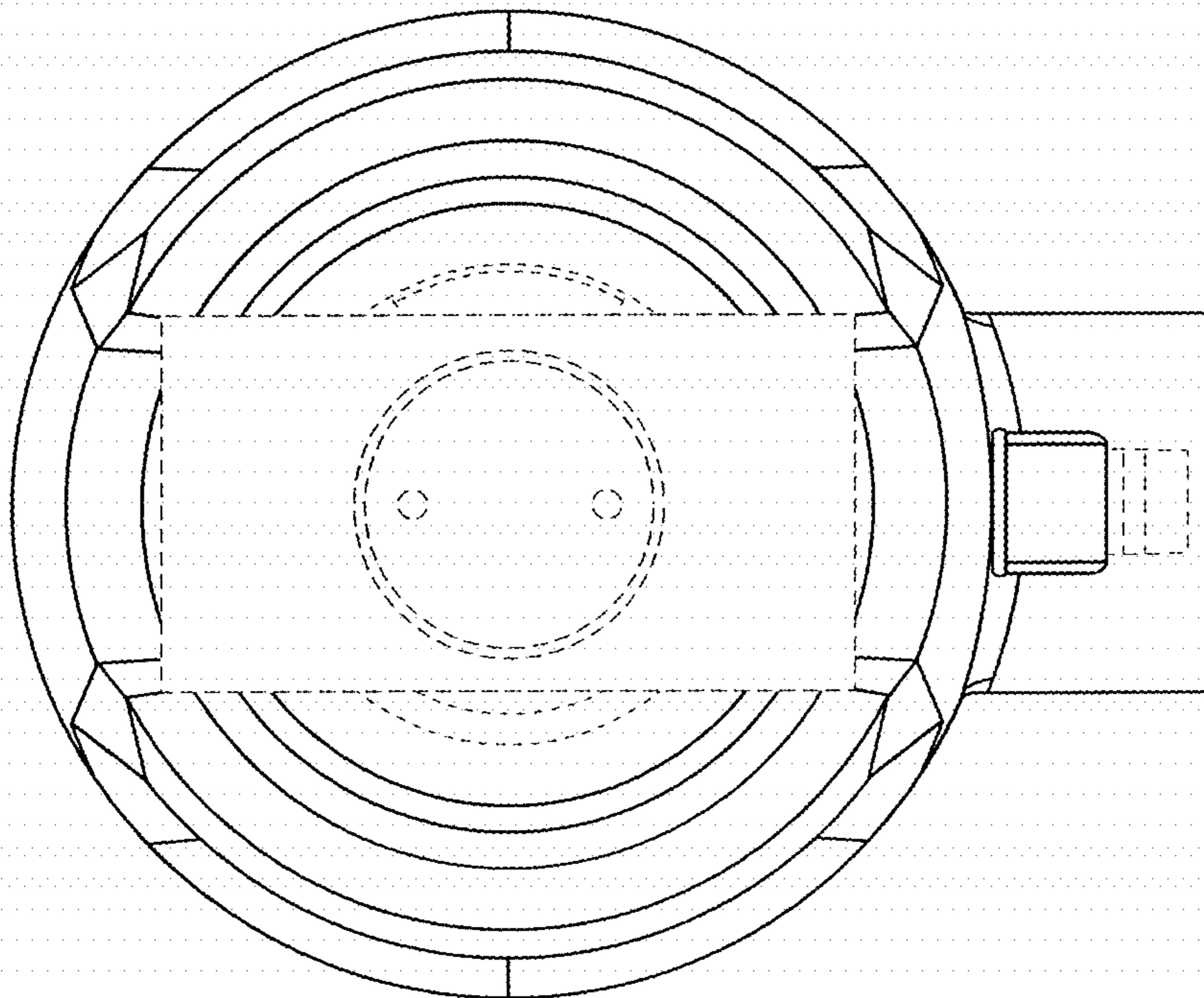


FIG. 8