



US00D777296S

(12) **United States Design Patent**
Huang et al.

(10) **Patent No.:** **US D777,296 S**
(45) **Date of Patent:** **** Jan. 24, 2017**

(54) **PART OF SPRAYER**
(71) Applicant: **Fiskars Garden Oy Ab**, Billnäs (FI)
(72) Inventors: **Chao Huang**, Espoo (FI); **Petteri Masalin**, Helsinki (FI)
(73) Assignee: **Fiskars Garden Oy Ab**, Billnäs (FI)
(**) Term: **15 Years**
(21) Appl. No.: **29/530,130**
(22) Filed: **Jun. 12, 2015**

(30) **Foreign Application Priority Data**
Dec. 17, 2014 (EM) 002600064-0002
(51) **LOC (10) Cl.** **23-01**
(52) **U.S. Cl.**
USPC **D23/225**; D9/520; D9/556
(58) **Field of Classification Search**
USPC D23/213, 202, 225; 239/302, 308, 310,
239/332-3; D9/520, 556, 516, 682
CPC B05B 7/2408; B05B 7/2421; B05B 9/0861
See application file for complete search history.

(56) **References Cited**
U.S. PATENT DOCUMENTS
2,995,308 A * 8/1961 Ashkenaz A61M 19/00
239/302
D214,049 S * 5/1969 Gatley D23/225

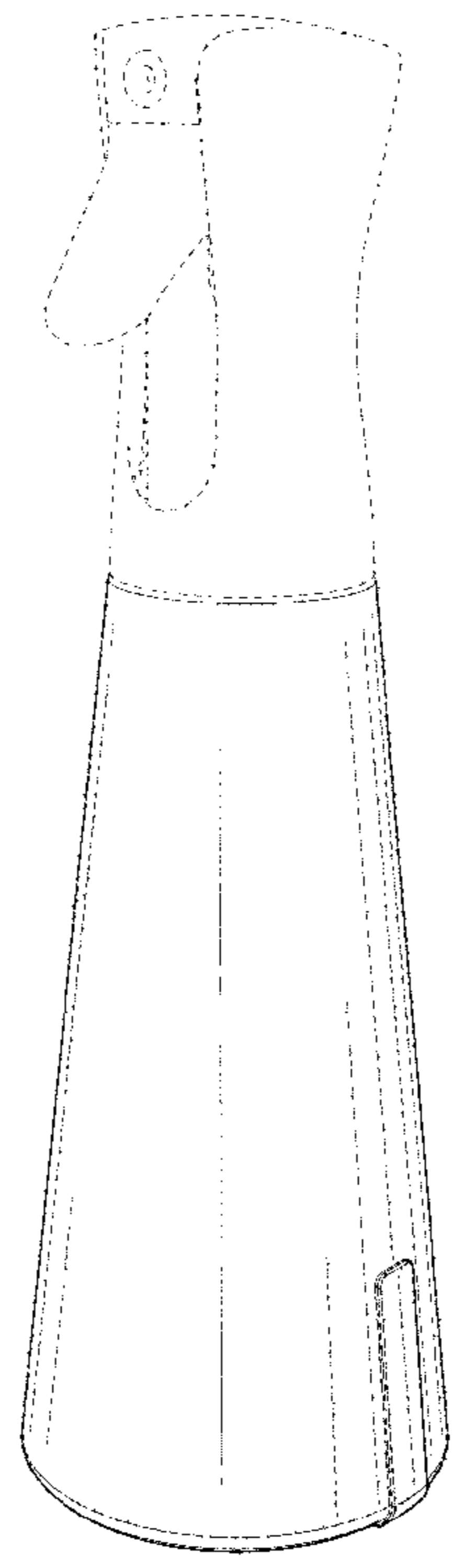
D244,531 S * 5/1977 Klingaman D23/225
7,059,540 B2 * 6/2006 King B01F 1/0027
239/302
D543,607 S * 5/2007 Meyhoefer D23/225
D614,032 S * 4/2010 Handy D9/503
D614,503 S * 4/2010 Kuzma D9/556
D691,488 S * 10/2013 Broen D9/682
D727,741 S * 4/2015 Handy D9/520

* cited by examiner
Primary Examiner — Robin V Webster
(74) *Attorney, Agent, or Firm* — Foley & Lardner LLP

(57) **CLAIM**
We claim the ornamental design for a part of sprayer, as shown and described.

DESCRIPTION
FIG. 1 is a top, front, right perspective view of the claimed design;
FIG. 2 is a bottom, front, right perspective view thereof;
FIG. 3 is a front elevation view thereof;
FIG. 4 is a right elevation view thereof;
FIG. 5 is a left elevation view thereof;
FIG. 6 is a top view thereof;
FIG. 7 is a bottom view thereof;
FIG. 8 is a rear elevation view thereof; and,
FIG. 9 is a bottom, rear perspective view thereof.
The ornamental design which is claimed is shown in solid lines in the drawings. The broken lines in the drawings show unclaimed subject matter.

1 Claim, 9 Drawing Sheets



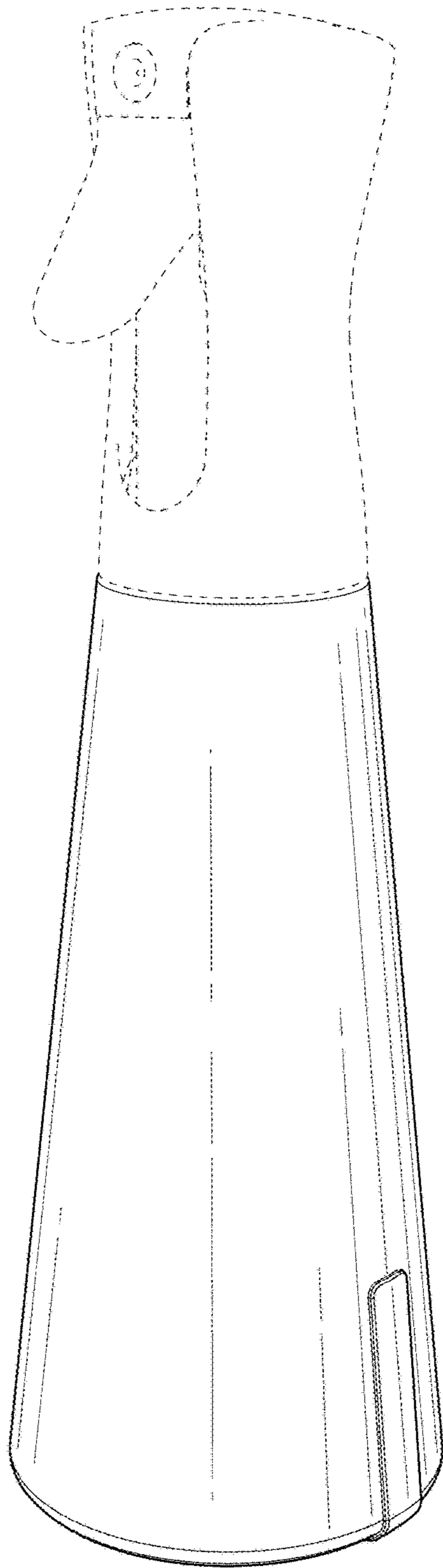


FIG. 1

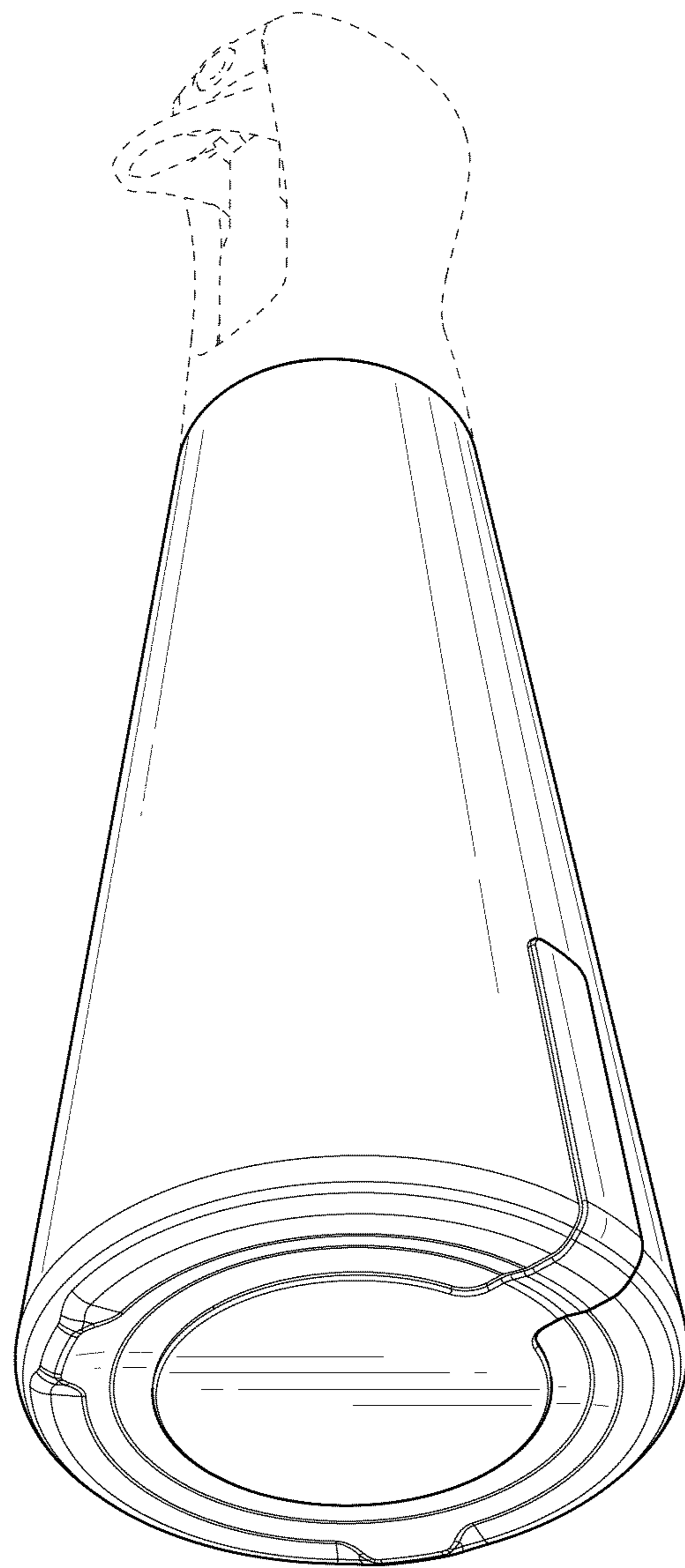


FIG. 2

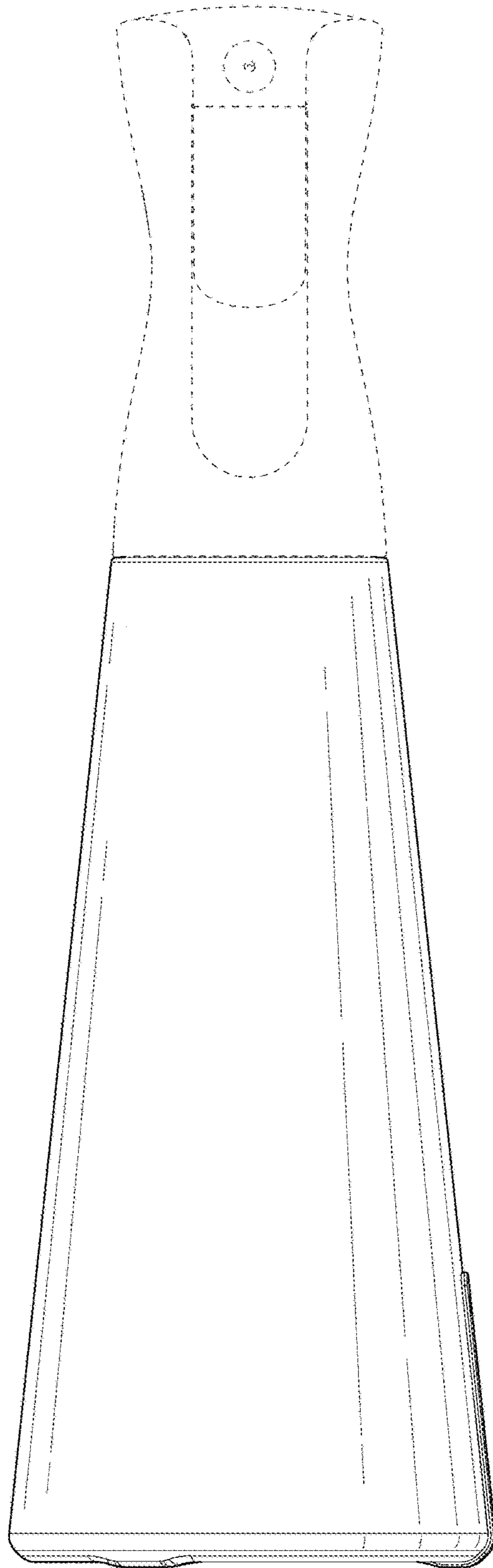


FIG. 3

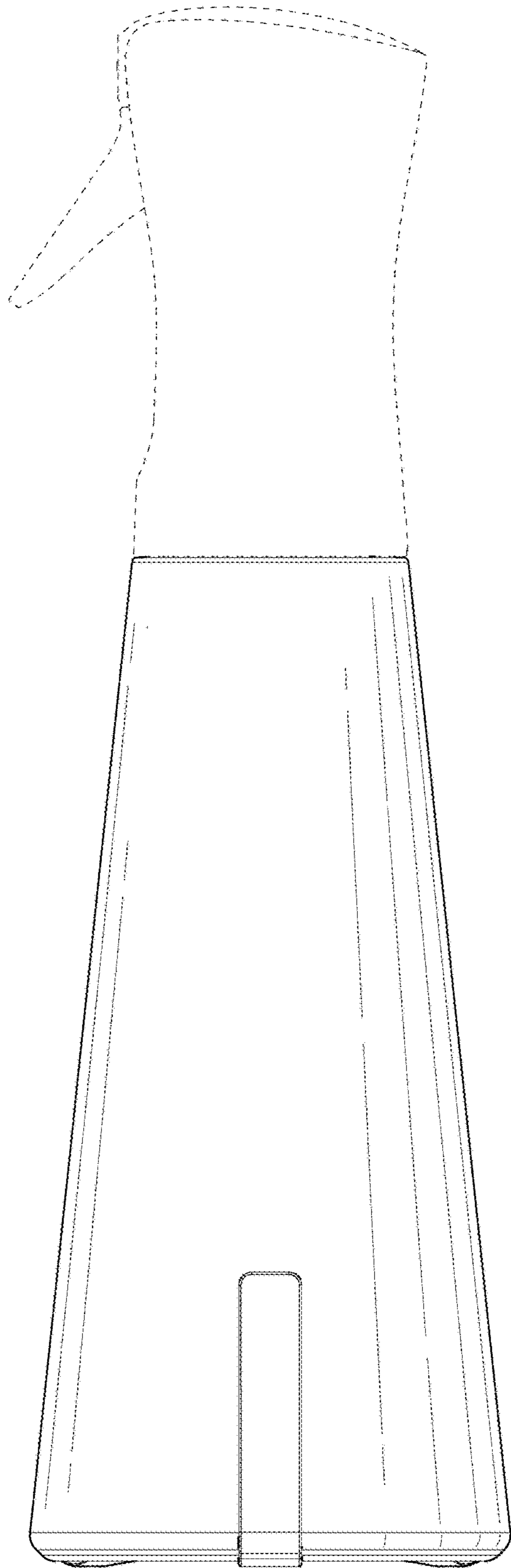


FIG. 4

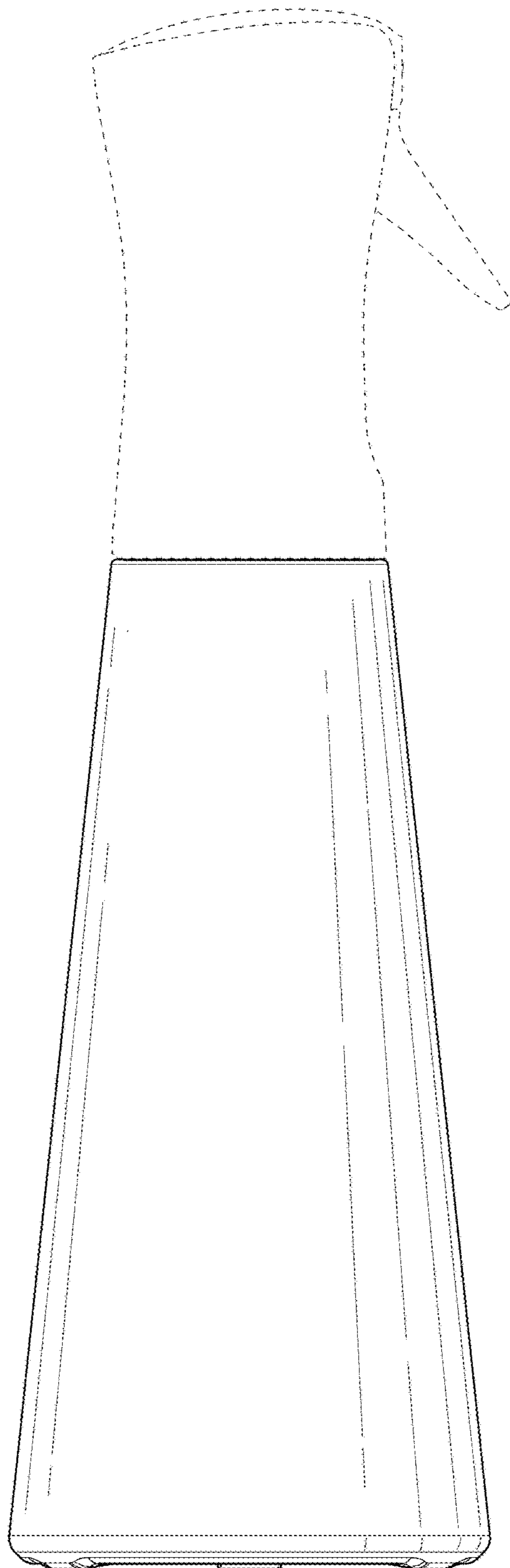


FIG. 5

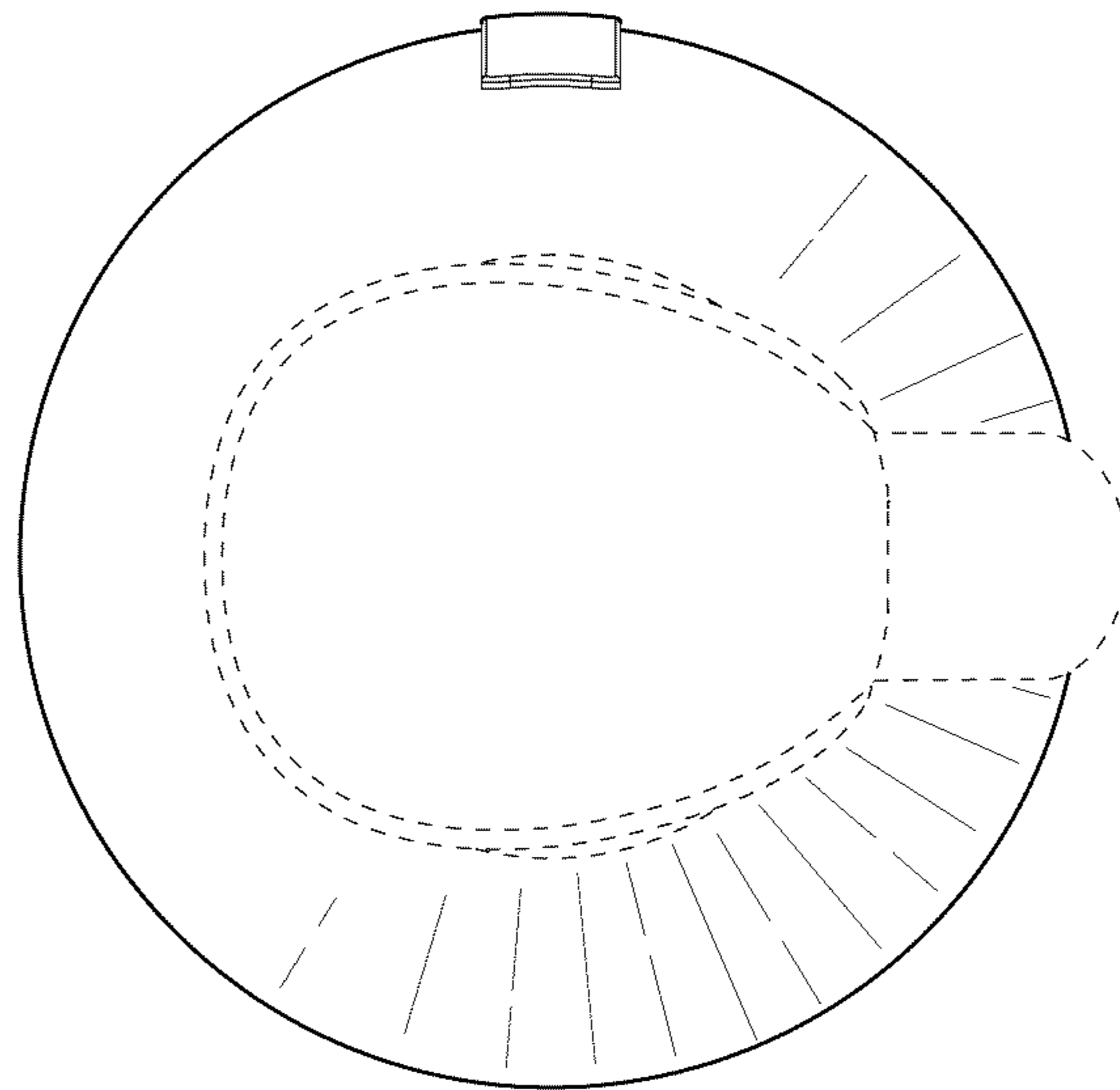


FIG. 6

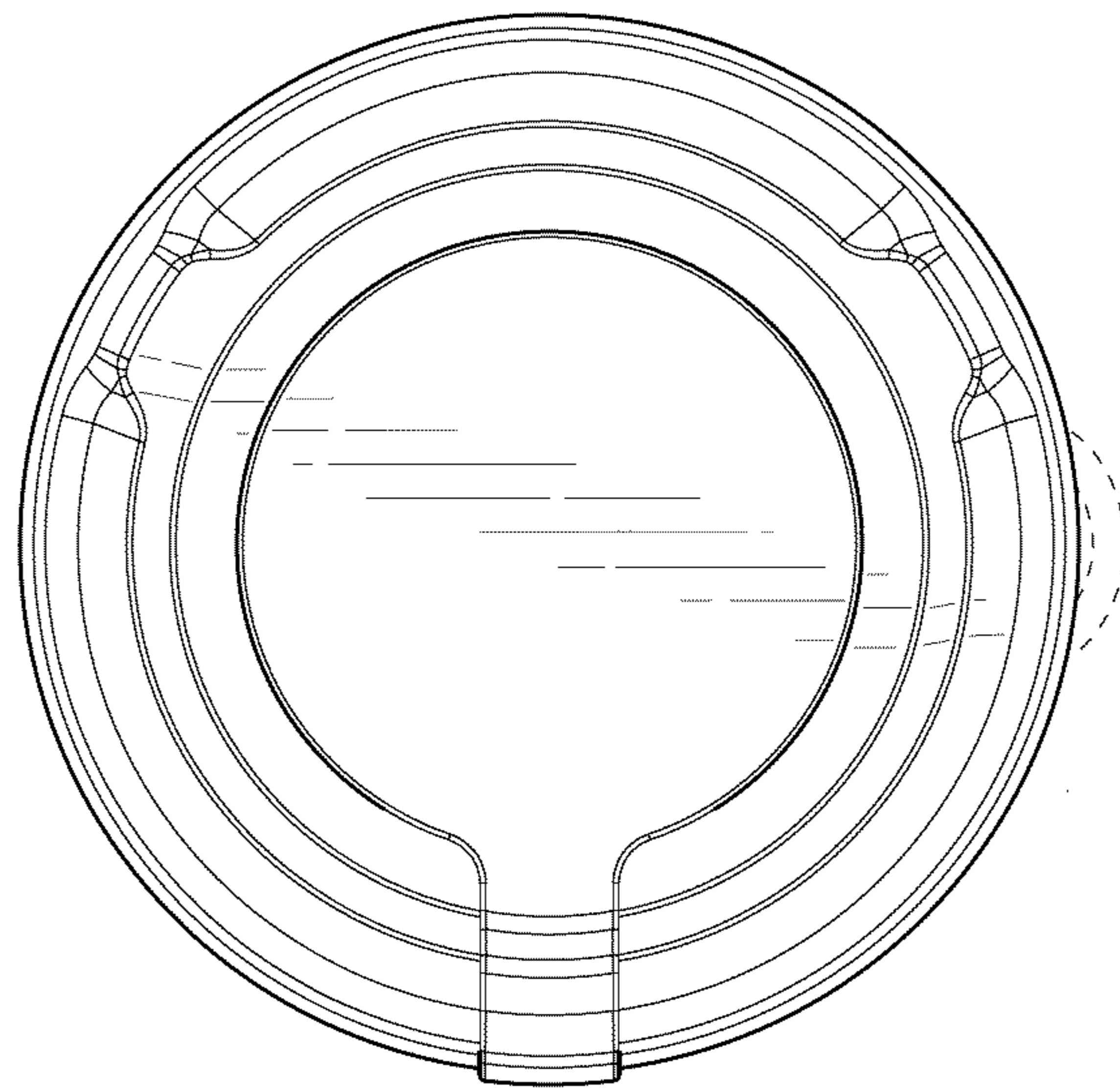


FIG. 7

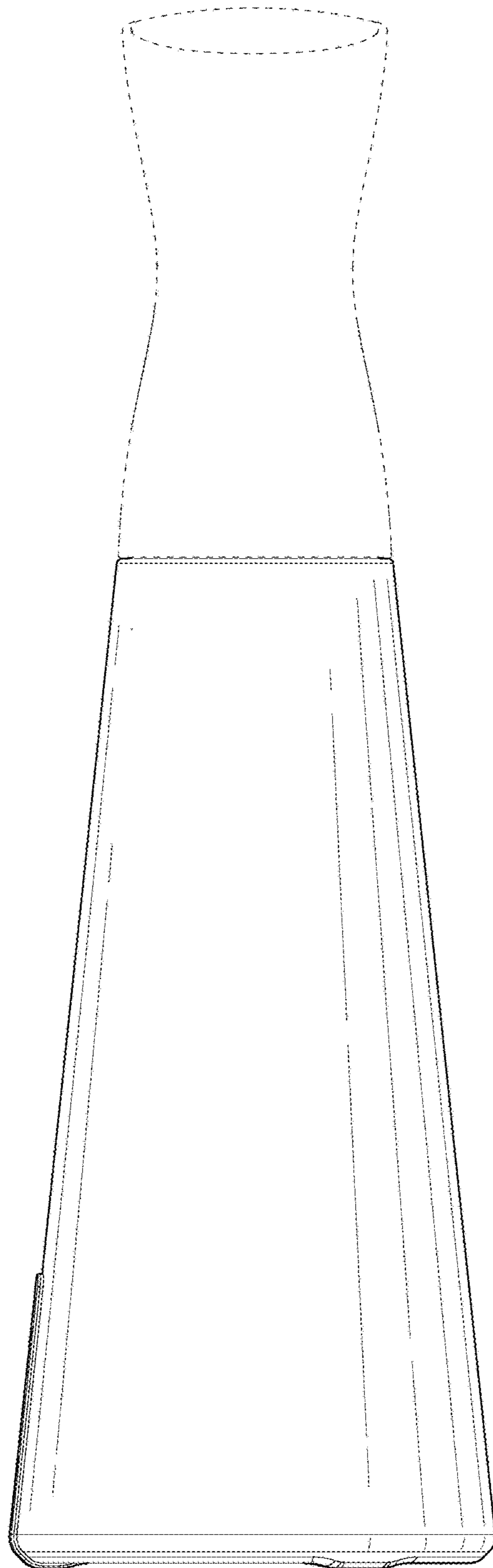


FIG. 8

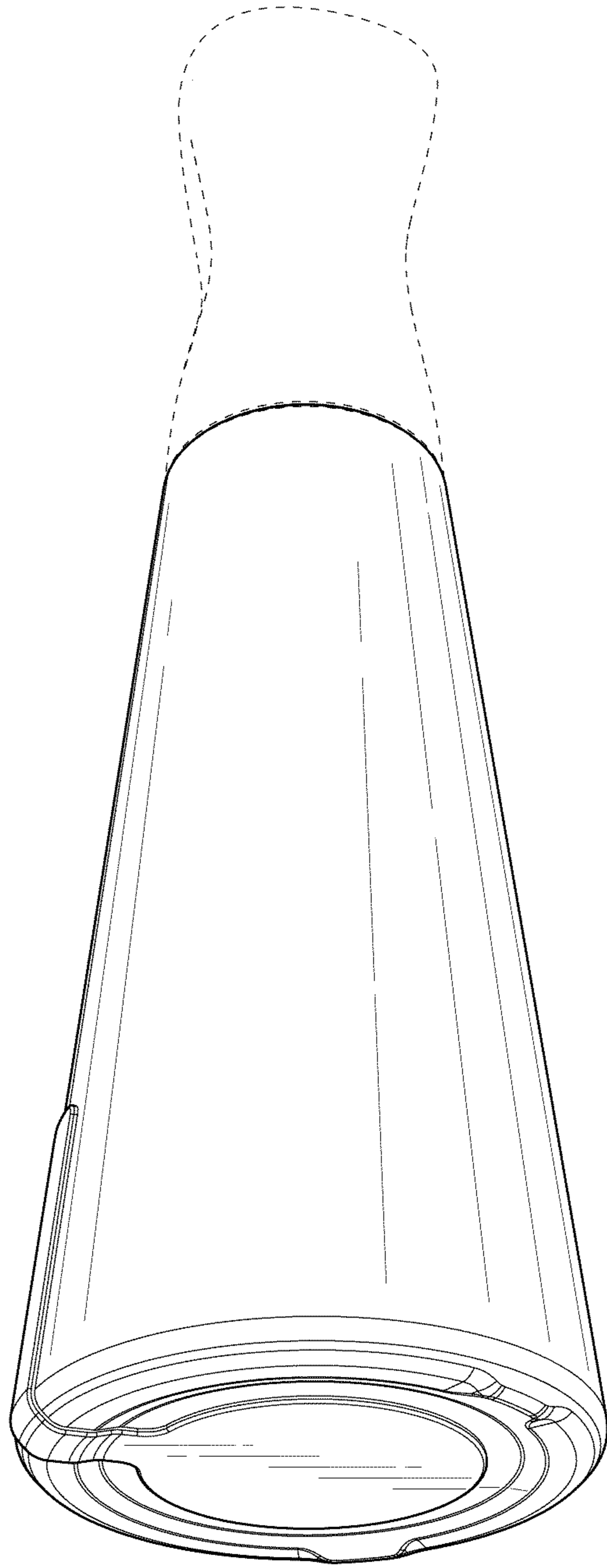


FIG. 9