



US00D777295S

(12) **United States Design Patent**
Griffis et al.

(10) **Patent No.:** **US D777,295 S**

(45) **Date of Patent:** **** Jan. 24, 2017**

(54) **CROSS FLOW ELECTRODIALYSIS CASSETTE**

(56) **References Cited**

U.S. PATENT DOCUMENTS

(71) Applicant: **Evoqua Water Technologies LLC**,
Warrendale, PA (US)

D340,983 S * 11/1993 Spielberg D24/162
D731,619 S * 6/2015 Smith D23/209

(72) Inventors: **Joshua Griffis**, Ashburnham, MA (US);
Jacob Telepciak, Littleton, MA (US);
Peter Farrell, Mansfield, MA (US);
Charles Buzzell, Londonderry, NH
(US)

* cited by examiner

Primary Examiner — Robin V Webster

(**) Term: **15 Years**

(57) **CLAIM**

We claim the ornamental design for a cross flow electrodi-
alysis cassette, as shown and described.

(21) Appl. No.: **29/526,921**

DESCRIPTION

(22) Filed: **May 14, 2015**

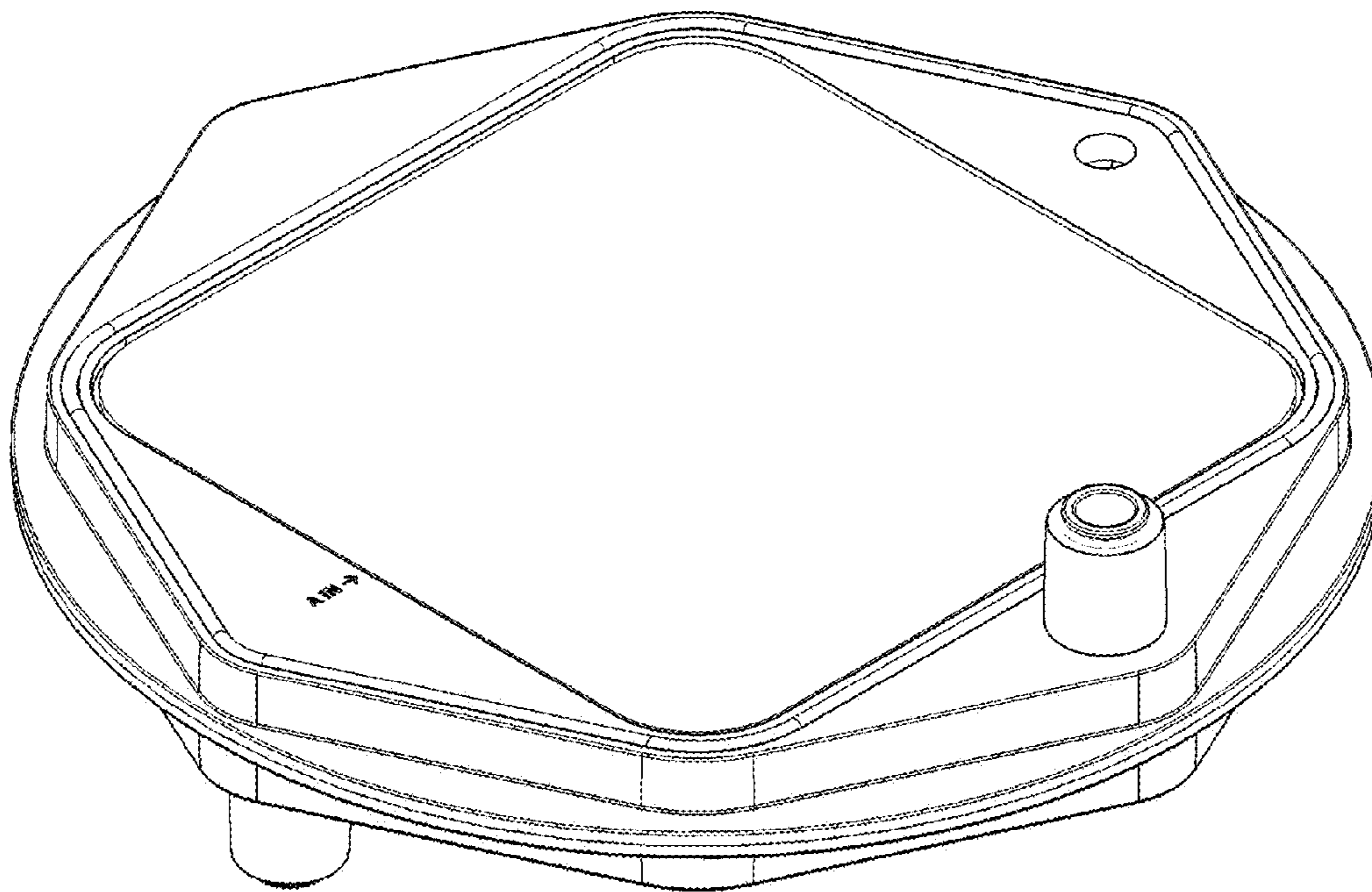
(51) **LOC (10) Cl.** **23-01**

(52) **U.S. Cl.**
USPC **D23/209**

(58) **Field of Classification Search**
USPC D23/207, 209; D24/162; 204/520, 627,
204/640; 210/243, 748.01
CPC B01D 35/02; B01D 61/42
See application file for complete search history.

FIG. 1 is an isometric view from top;
FIG. 2 is a plan view from top;
FIG. 3 is a plan view from bottom;
FIG. 4 is a plan view from front;
FIG. 5 is a plan view from back;
FIG. 6 is a plan view from left; and,
FIG. 7 is a plan view from right.

1 Claim, 7 Drawing Sheets



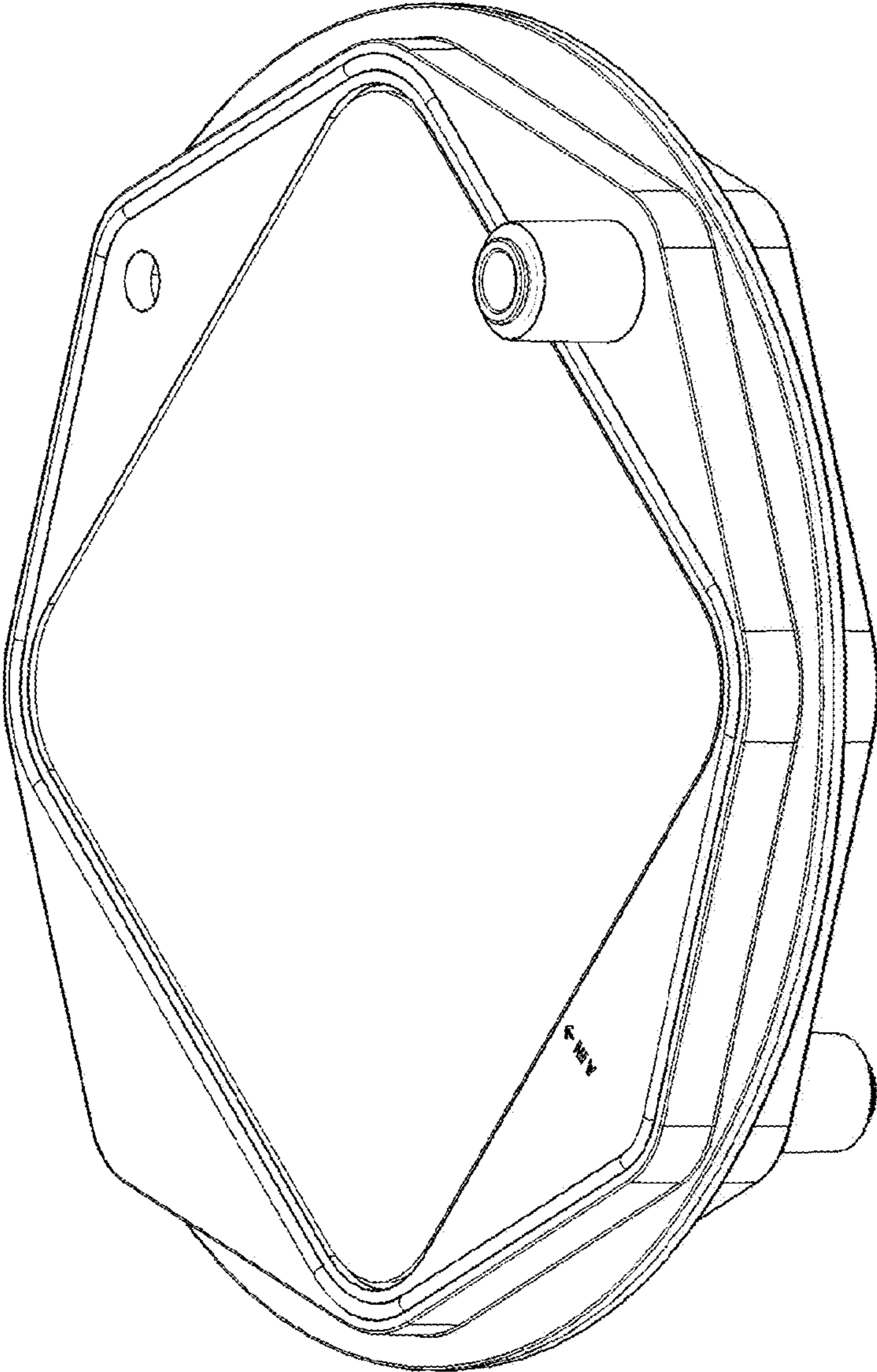


FIGURE 1

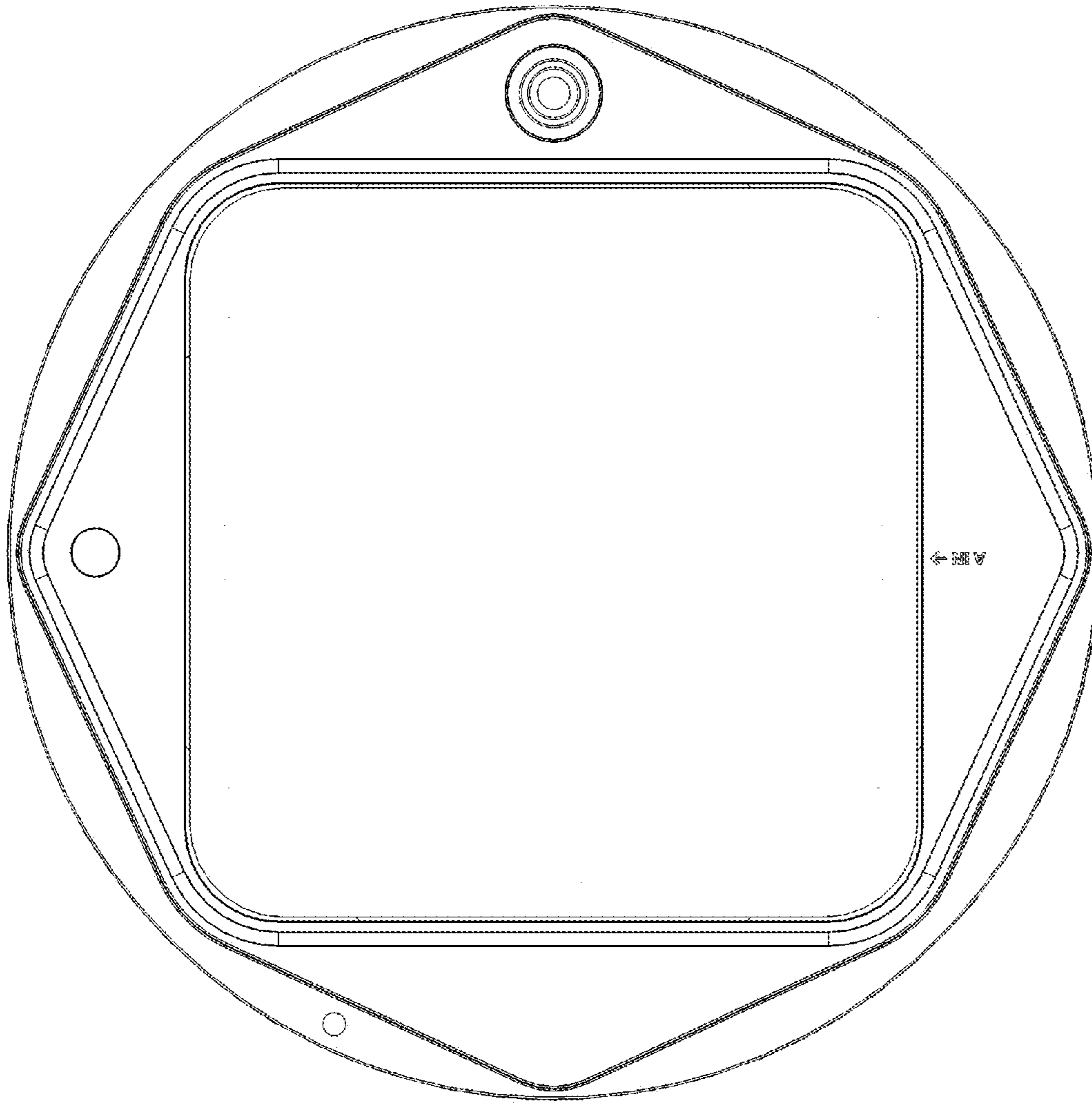


FIGURE 2

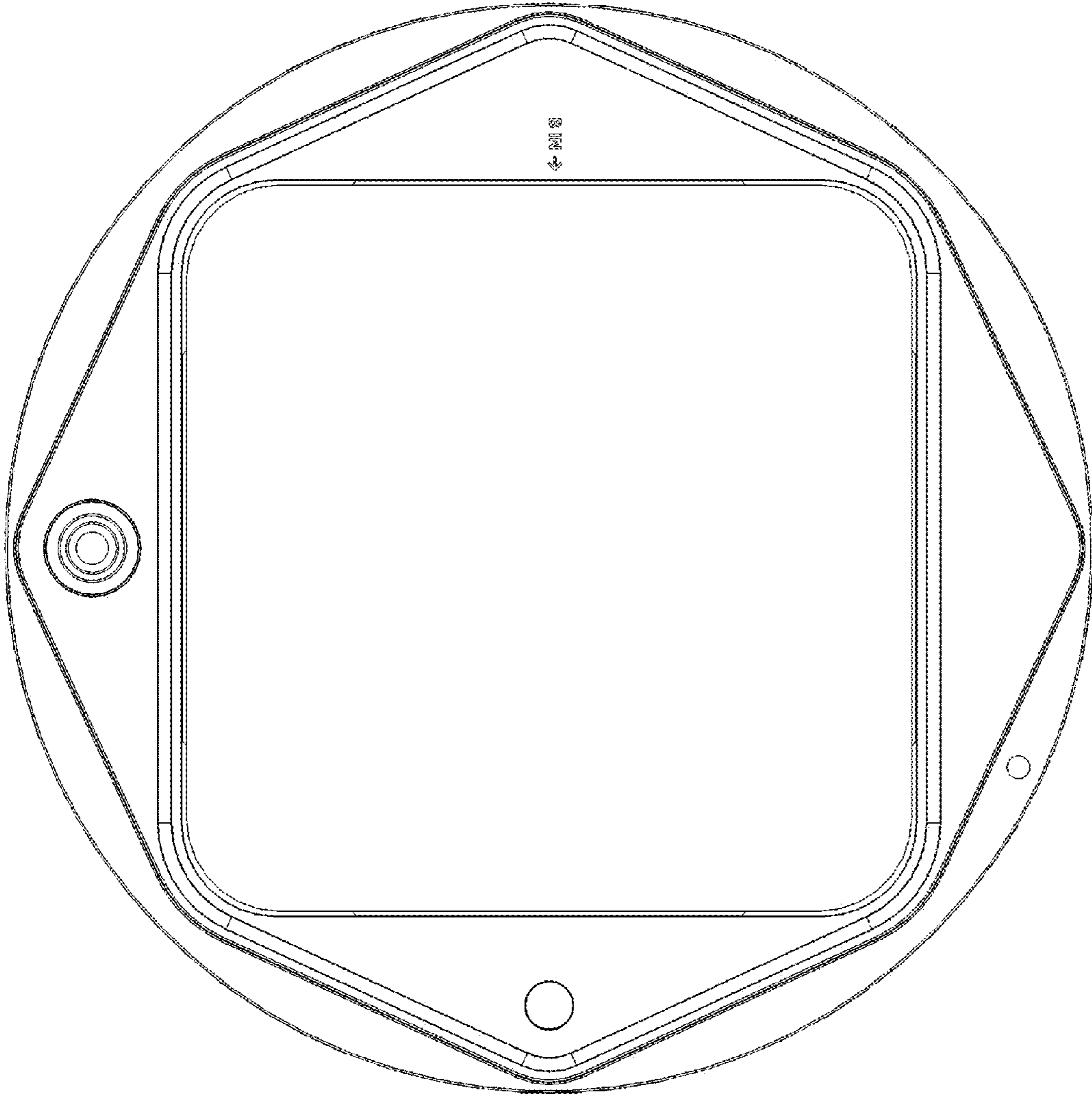


FIGURE 3

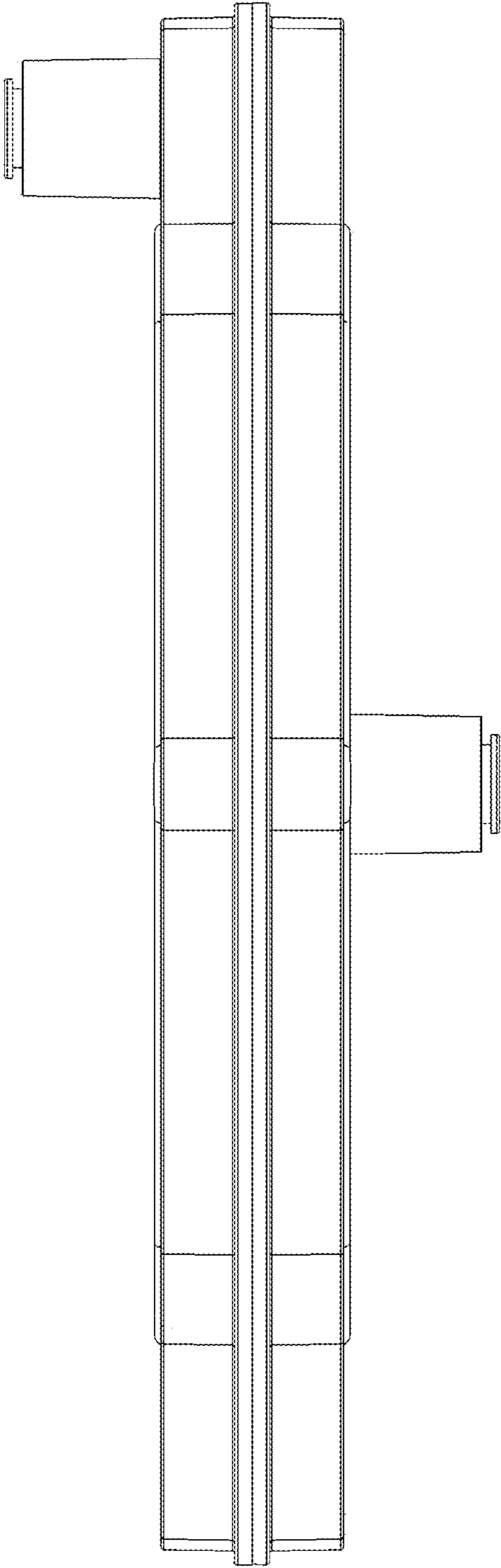


FIGURE 4

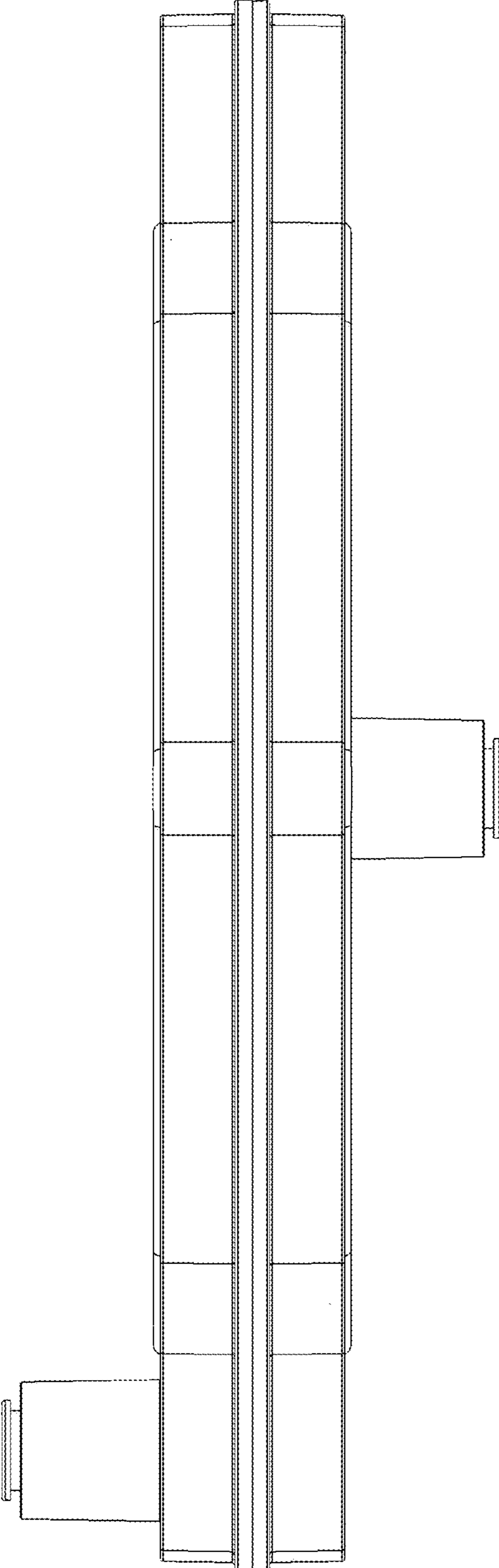


FIGURE 5

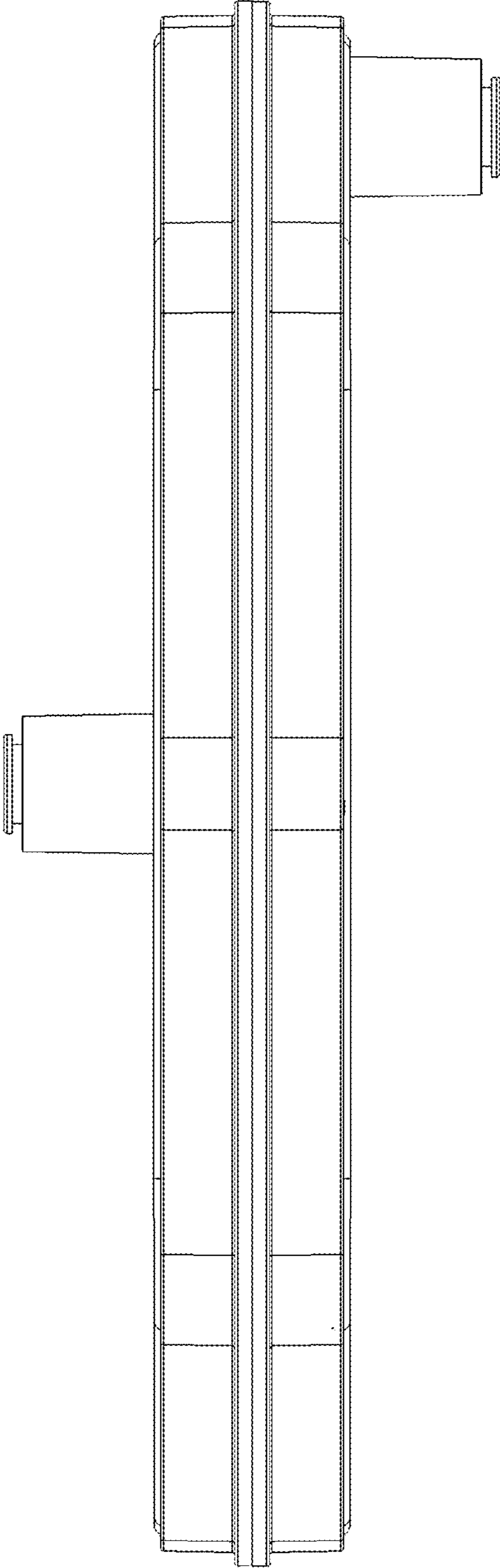


FIGURE 6

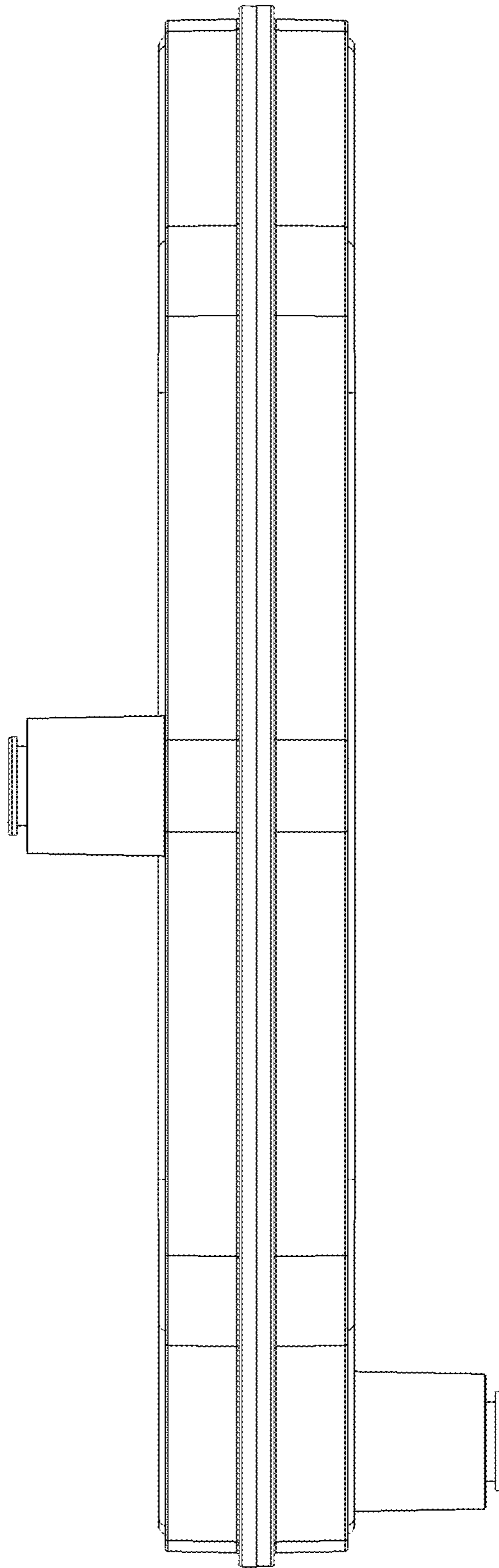


FIGURE 7