



US00D777294S

(12) **United States Design Patent**  
**Bell**

(10) **Patent No.:** **US D777,294 S**

(45) **Date of Patent:** **\*\* Jan. 24, 2017**

(54) **FISHING ROD HOLDER THAT ATTACHES TO A SQUARE TUBE**

(71) Applicant: **Michael J. Bell**, Worden, IL (US)

(72) Inventor: **Michael J. Bell**, Worden, IL (US)

(\*\*) Term: **14 Years**

(21) Appl. No.: **29/504,759**

(22) Filed: **Oct. 9, 2014**

(51) **LOC (10) Cl.** ..... **22-05**

(52) **U.S. Cl.**  
USPC ..... **D22/147**

(58) **Field of Classification Search**  
USPC . D22/147, 199; 224/558, 567, 922; 43/21.2,  
25  
CPC ..... A01K 97/10  
See application file for complete search history.

(56) **References Cited**

**U.S. PATENT DOCUMENTS**

D106,536 S \* 10/1937 Heim ..... D22/147  
4,877,165 A \* 10/1989 Behrle ..... A01K 97/10  
224/558

D416,071 S \* 11/1999 Sizer ..... D22/147  
D416,976 S \* 11/1999 Sizer ..... D22/147  
D480,781 S \* 10/2003 Pastor ..... D22/147  
D489,118 S \* 4/2004 Preiss ..... D22/147  
D691,697 S \* 10/2013 Purser ..... D22/147

\* cited by examiner

*Primary Examiner* — Catheri Oliver-Garcia

(74) *Attorney, Agent, or Firm* — Charles McCloskey

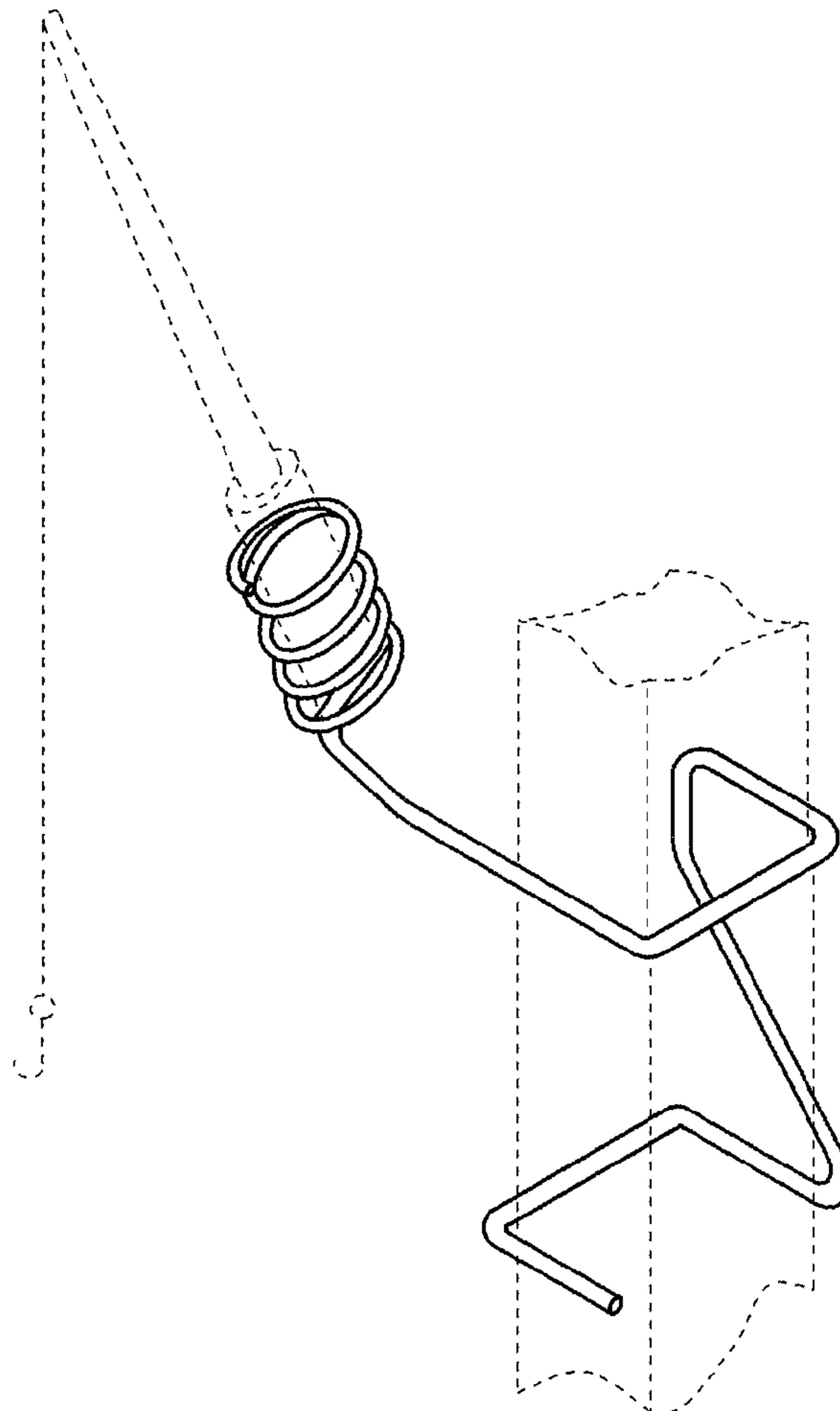
(57) **CLAIM**

The ornamental design for a fishing rod holder that attaches to a square tube, as shown.

**DESCRIPTION**

FIG. 1 is a perspective view;  
FIG. 2 is a front view thereof;  
FIG. 3 is a side view thereof;  
FIG. 4 is a back view thereof;  
FIG. 5 is a side view thereof;  
FIG. 6 is a top view thereof; and,  
FIG. 7 is a bottom view thereof.

**1 Claim, 2 Drawing Sheets**



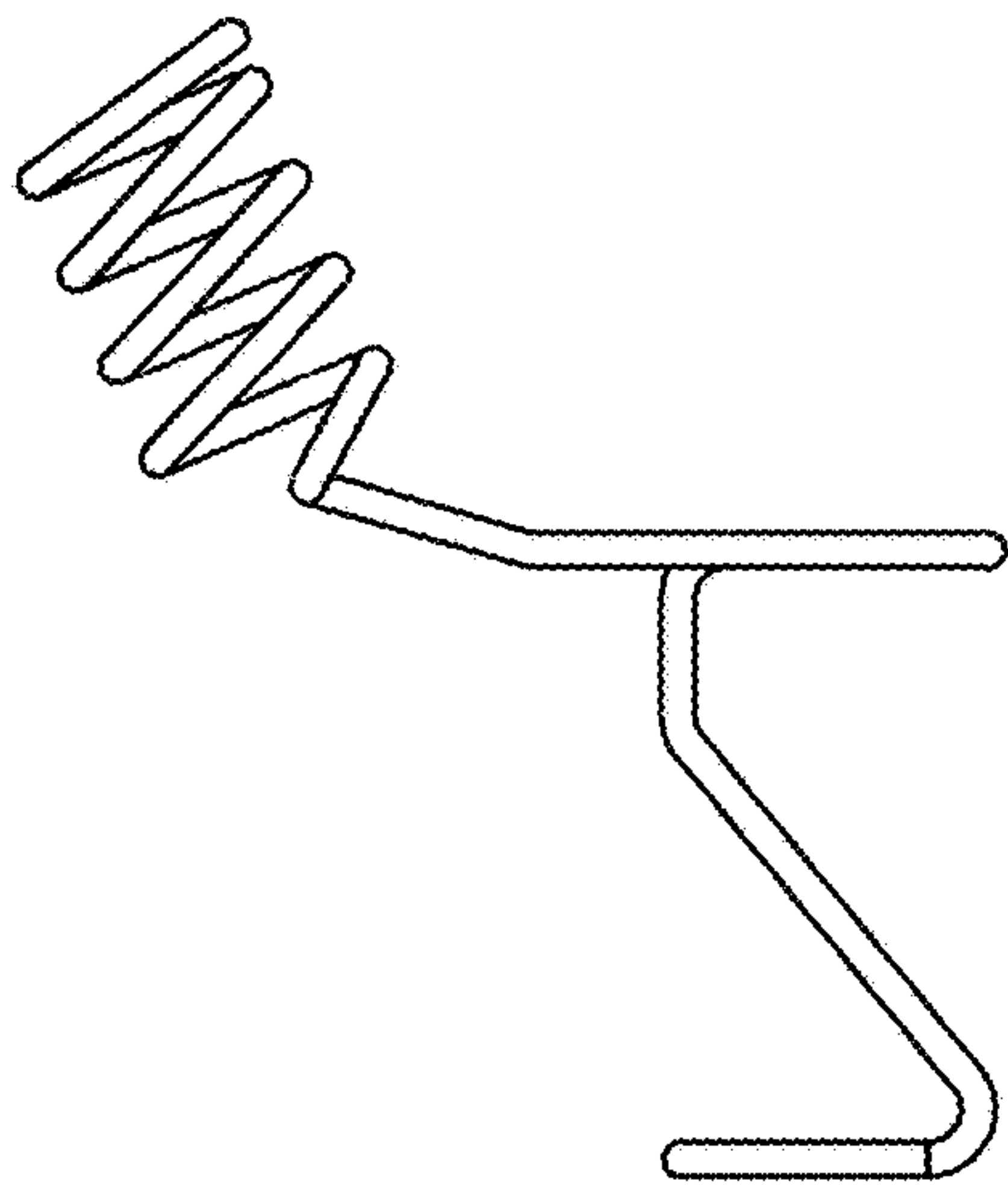


FIG. 2

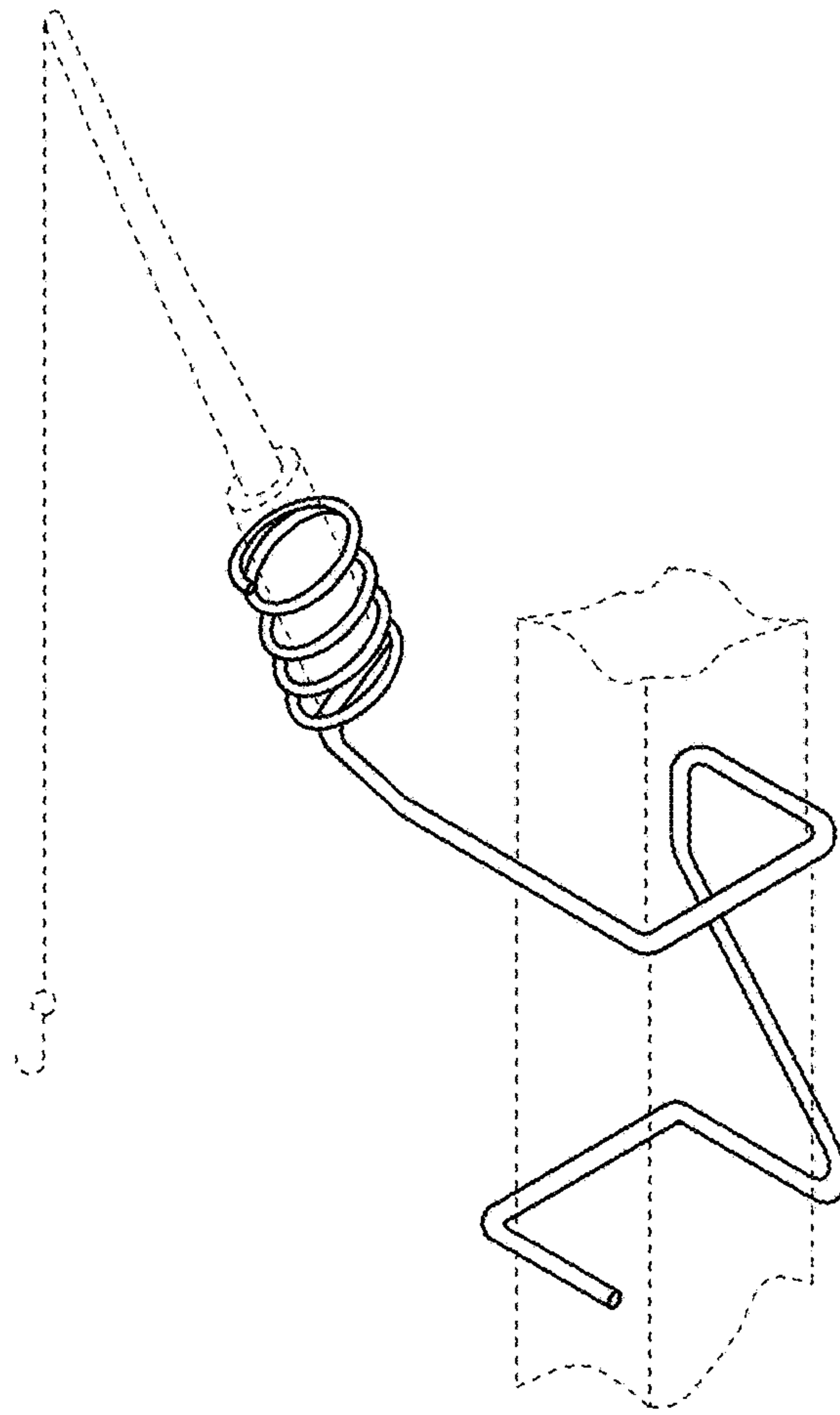


FIG. 1

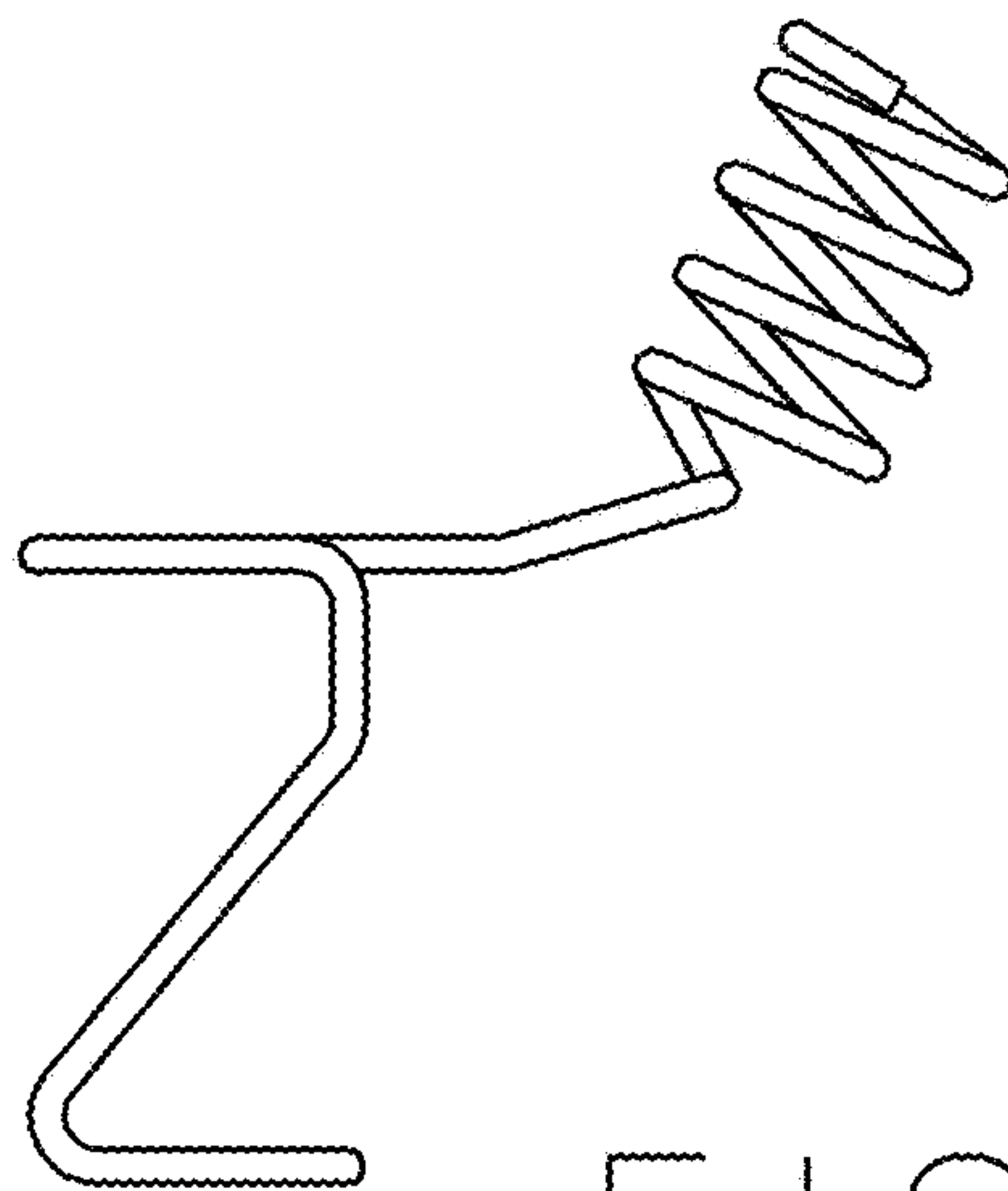


FIG. 3

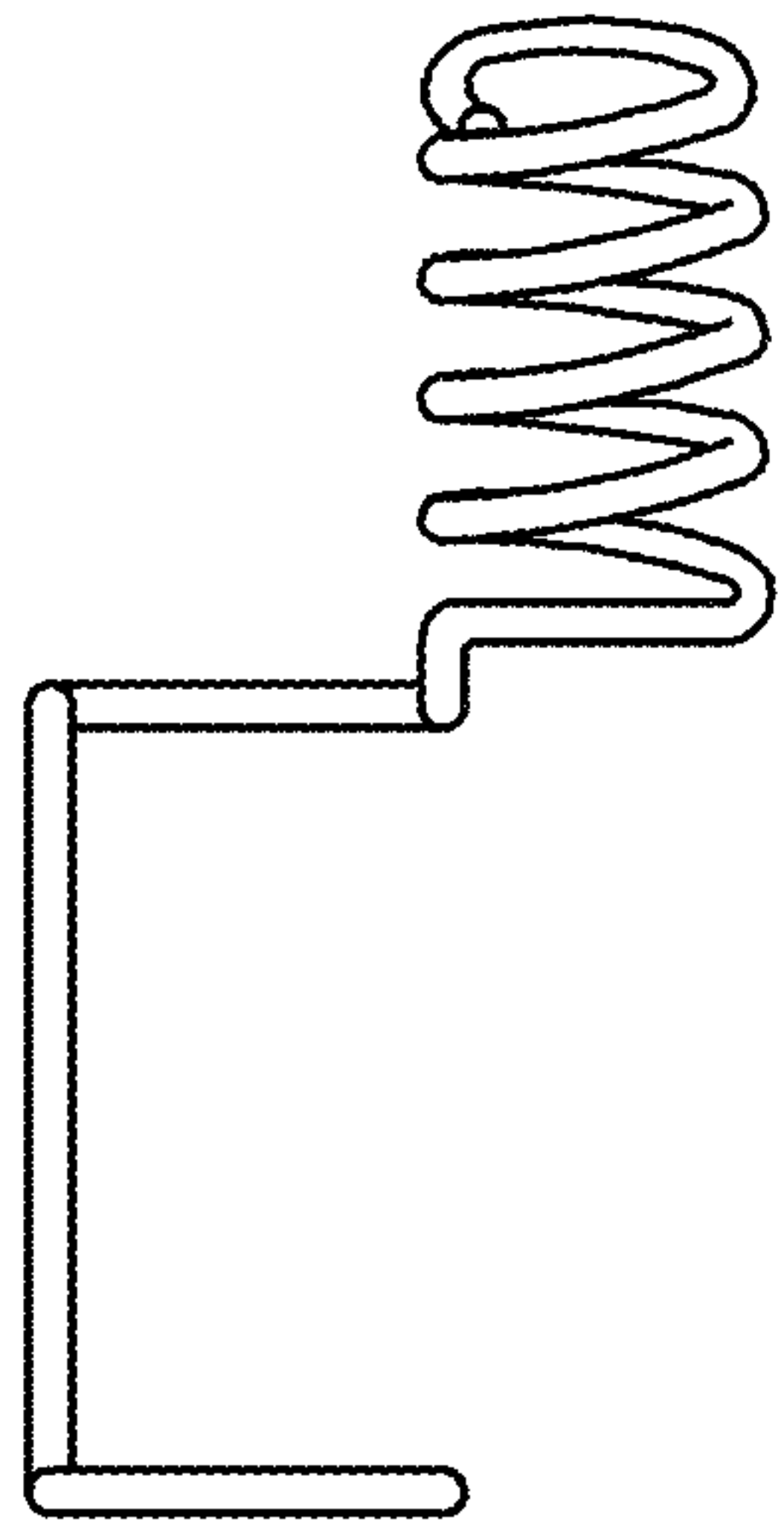


FIG. 4

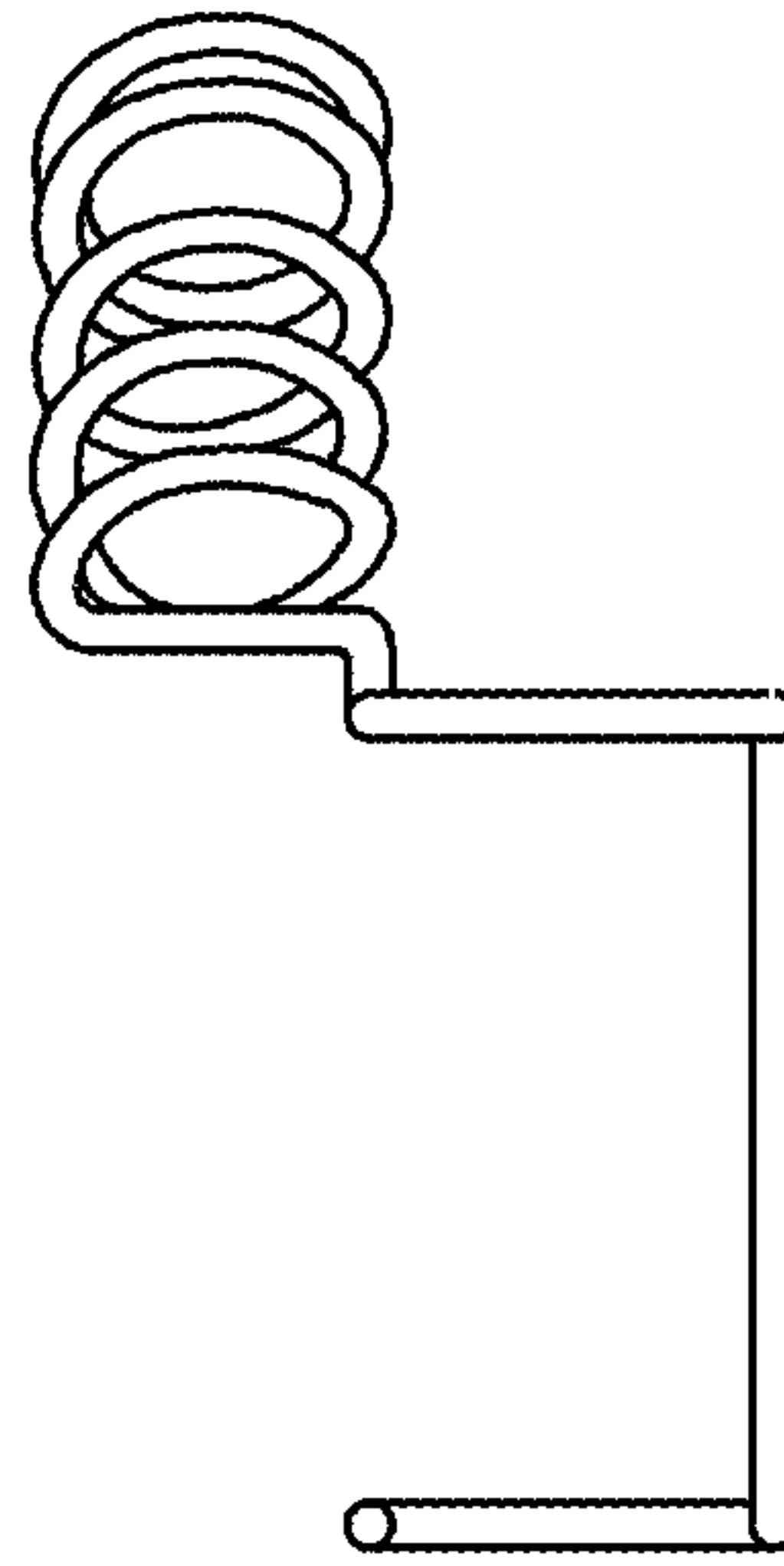


FIG. 5

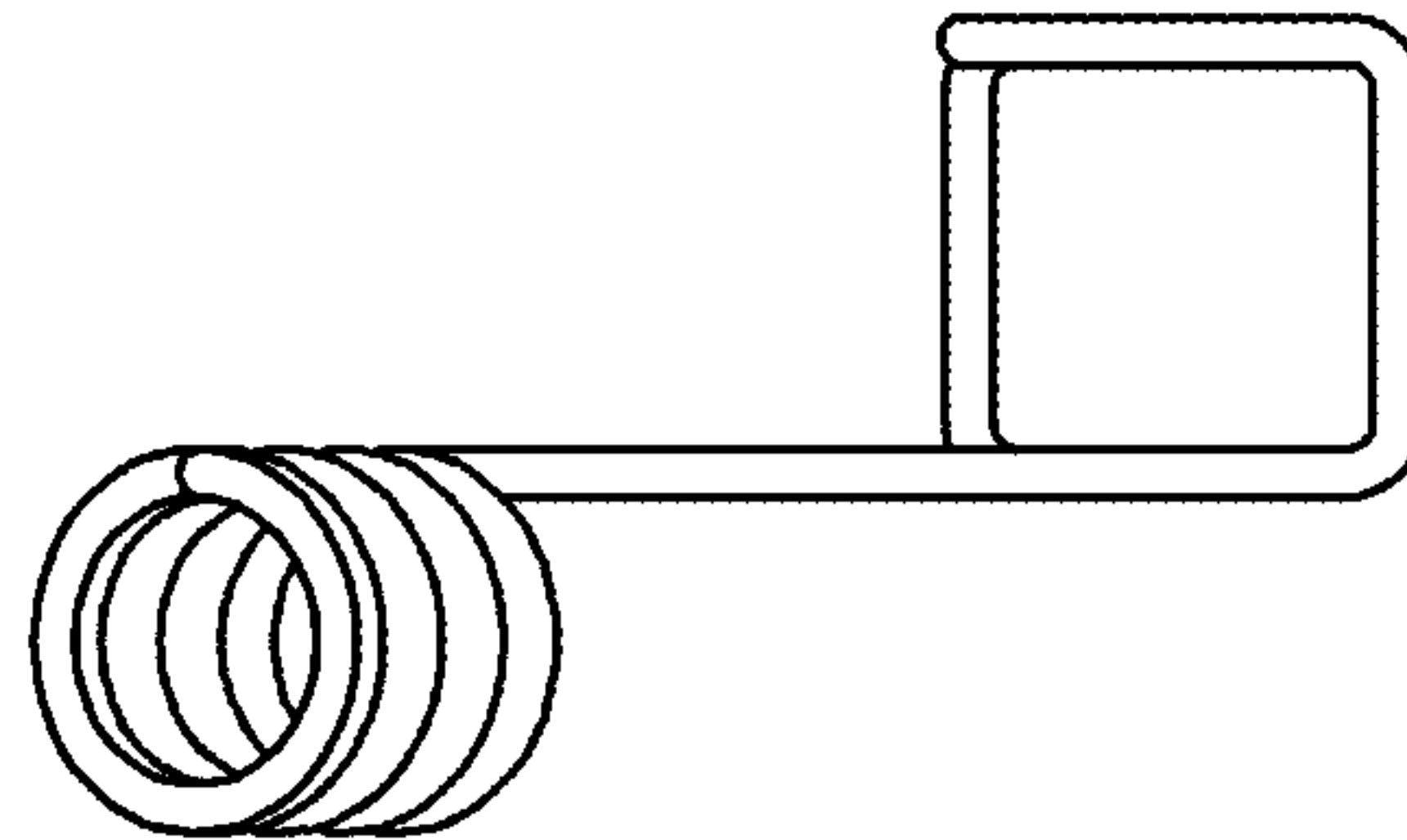


FIG. 6

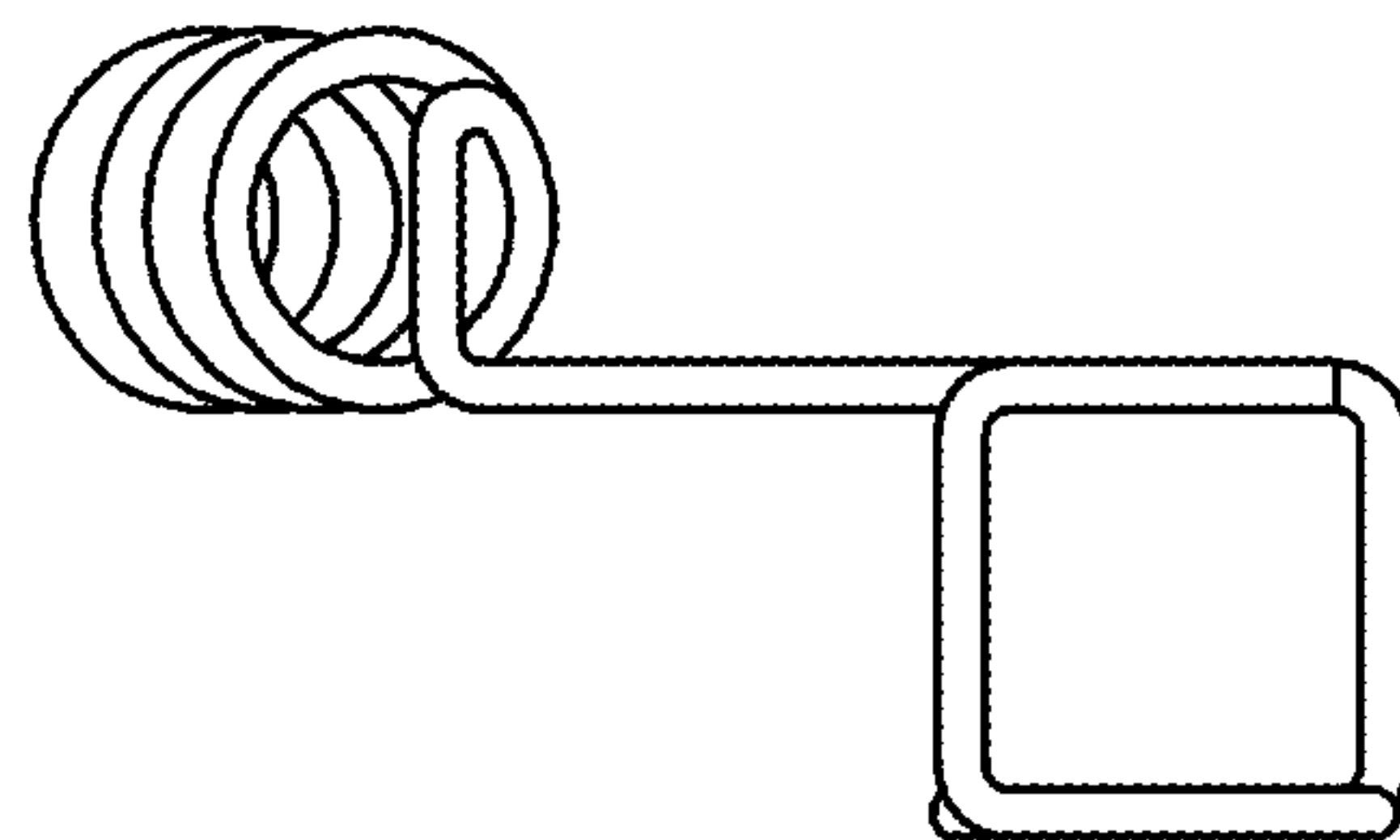


FIG. 7