



US00D777289S

(12) **United States Design Patent** (10) **Patent No.:** **US D777,289 S**
Cheng et al. (45) **Date of Patent:** **** Jan. 24, 2017**

(54) **HUNTING RING**

(71) Applicants: **Carson Cheng**, City of Industry, CA (US); **Changan Tian**, City of Industry, CA (US)

(72) Inventors: **Carson Cheng**, City of Industry, CA (US); **Changan Tian**, City of Industry, CA (US)

(73) Assignee: **NcSTAR, Inc.**, City of Industry, CA (US)

(**) Term: **14 Years**

(21) Appl. No.: **29/525,906**

(22) Filed: **May 4, 2015**

(51) **LOC (10) Cl.** **22-01**

(52) **U.S. Cl.**
USPC **D22/109**

(58) **Field of Classification Search**
USPC D22/109-110; D16/132, 130, 133, 330, D16/134

(Continued)

(56) **References Cited**

U.S. PATENT DOCUMENTS

D220,483 S * 4/1971 Rubin D22/110
D221,649 S * 8/1971 Rubin D22/110

(Continued)

Primary Examiner — Michael A Pratt

(74) *Attorney, Agent, or Firm* — Raymond Y. Chan;
David and Raymond Patent Firm

(57) **CLAIM**

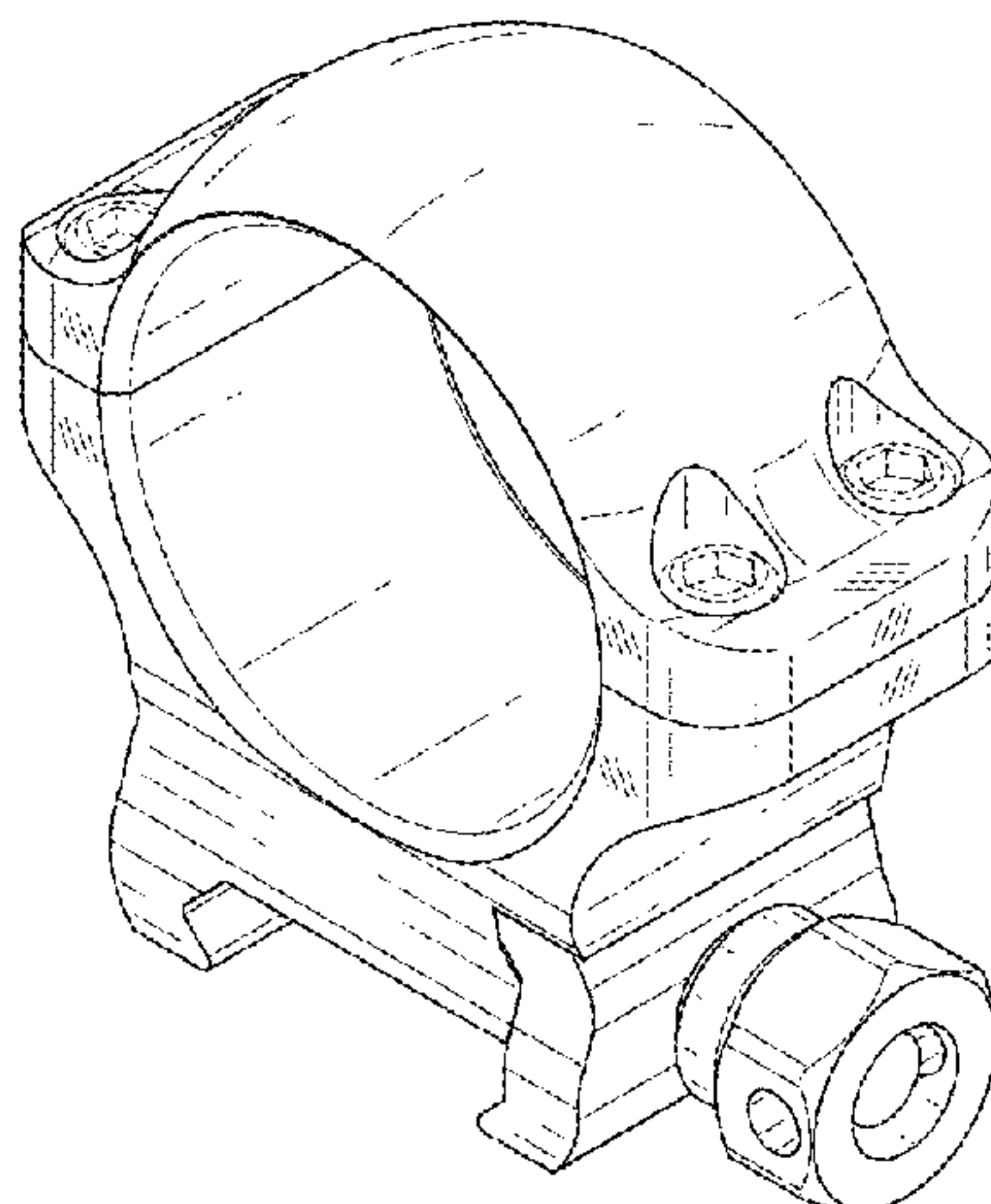
The ornamental design for a hunting ring, as shown and described.

DESCRIPTION

FIG. 1 is a perspective view of a hunting ring our new design.

FIG. 2 is a rear view of the hunting ring.
FIG. 3 is a front view of the hunting ring.
FIG. 4 is a right view of the hunting ring.
FIG. 5 is a left view of the hunting ring.
FIG. 6 is a top view of the hunting ring.
FIG. 7 is a bottom view of the hunting ring. ps FIG. 8 is a rear view of the hunting ring, illustrating an insert coupled at a coupling slot of the hunting ring.
FIG. 9 is a perspective view of a first modification of the hunting ring our new design, illustrating the elongated neck portion.
FIG. 10 is a rear view of the first modification of the hunting ring.
FIG. 11 is a front view of the first modification of the hunting ring.
FIG. 12 is a right view of the first modification of the hunting ring.
FIG. 13 is a left view of the first modification of the hunting ring.
FIG. 14 is a top view of the first modification of the hunting ring.
FIG. 15 is a bottom view of the first modification of the hunting ring.
FIG. 16 is a rear view of the first modification of the hunting ring, illustrating an insert coupled at a coupling slot of the hunting ring.
FIG. 17 is a perspective view of a second modification of the hunting ring our new design, illustrating the extended neck portion.
FIG. 18 is a rear view of the second modification of the hunting ring.
FIG. 19 is a front view of the second modification of the hunting ring.
FIG. 20 is a right view of the second modification of the hunting ring.
FIG. 21 is a left view of the second modification of the hunting ring.
FIG. 22 is a top view of the second modification of the hunting ring.
FIG. 23 is a bottom view of the second modification of the hunting ring; and,
FIG. 24 is a rear view of the second modification of the hunting ring, illustrating an insert coupled at a coupling slot of the hunting ring.

(Continued)



The broken lines are included for the purpose of illustrating environment and forms no part of the claimed design.

1 Claim, 24 Drawing Sheets

(58) Field of Classification Search

CPC F41G 11/001; F41G 11/003; F41G 11/004;
F41G 1/00; F41G 1/38; F41G 11/005
See application file for complete search history.

(56) References Cited

U.S. PATENT DOCUMENTS

D226,430	S	*	3/1973	Johannsen	D22/110
D231,674	S	*	5/1974	Jimenez	D22/110
D232,633	S	*	9/1974	Weast	D22/109
D403,393	S	*	12/1998	Weast	D22/108
6,629,381	B1	*	10/2003	Keng	F41G 11/003 42/124
D638,089	S	*	5/2011	Ding	D22/109
D681,767	S	*	5/2013	Li	D22/108
D685,052	S	*	6/2013	Mok	D22/109
D698,000	S	*	1/2014	Beckett	D22/109
D755,342	S	*	5/2016	Ding	D22/109

* cited by examiner

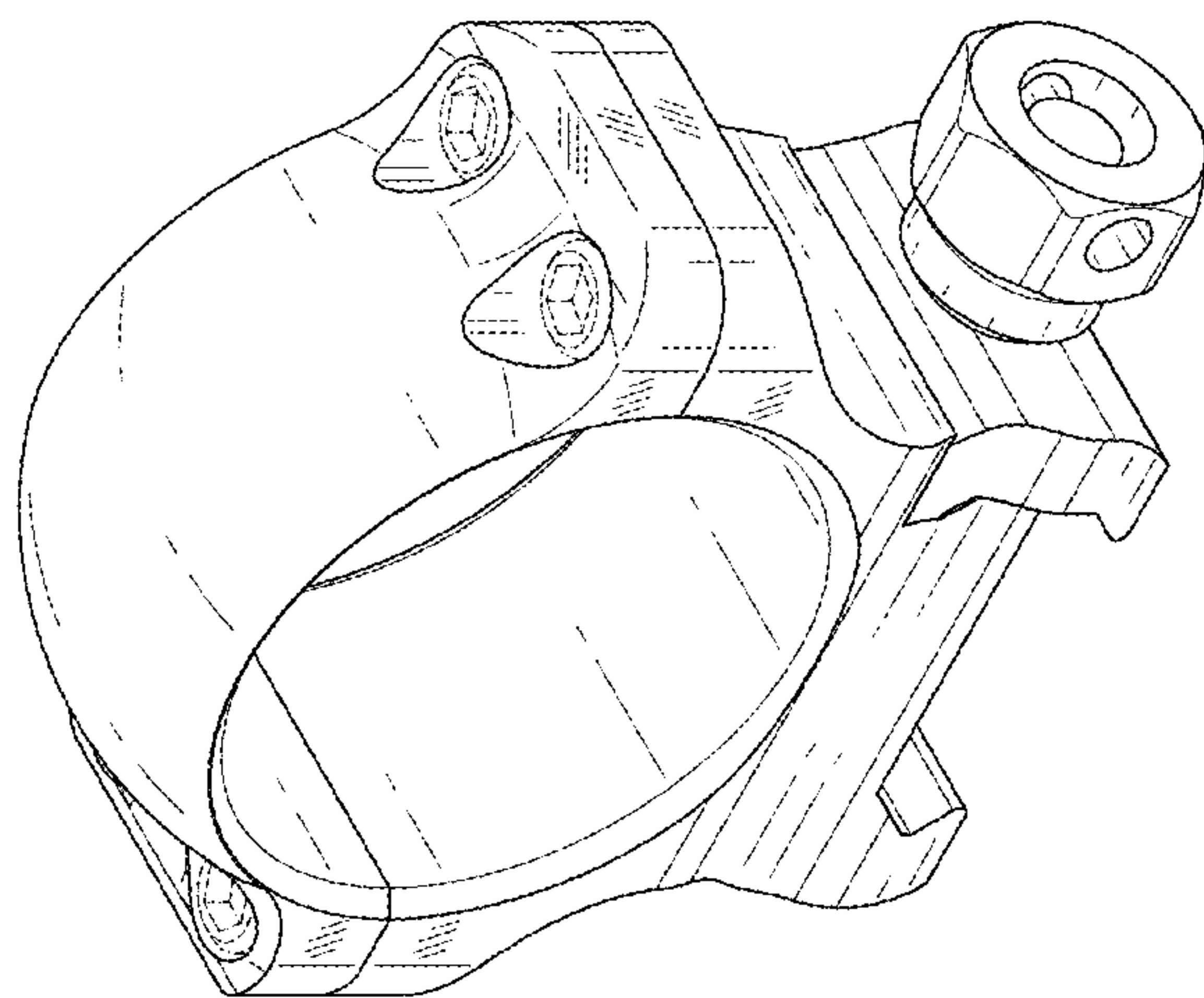


FIG. 1

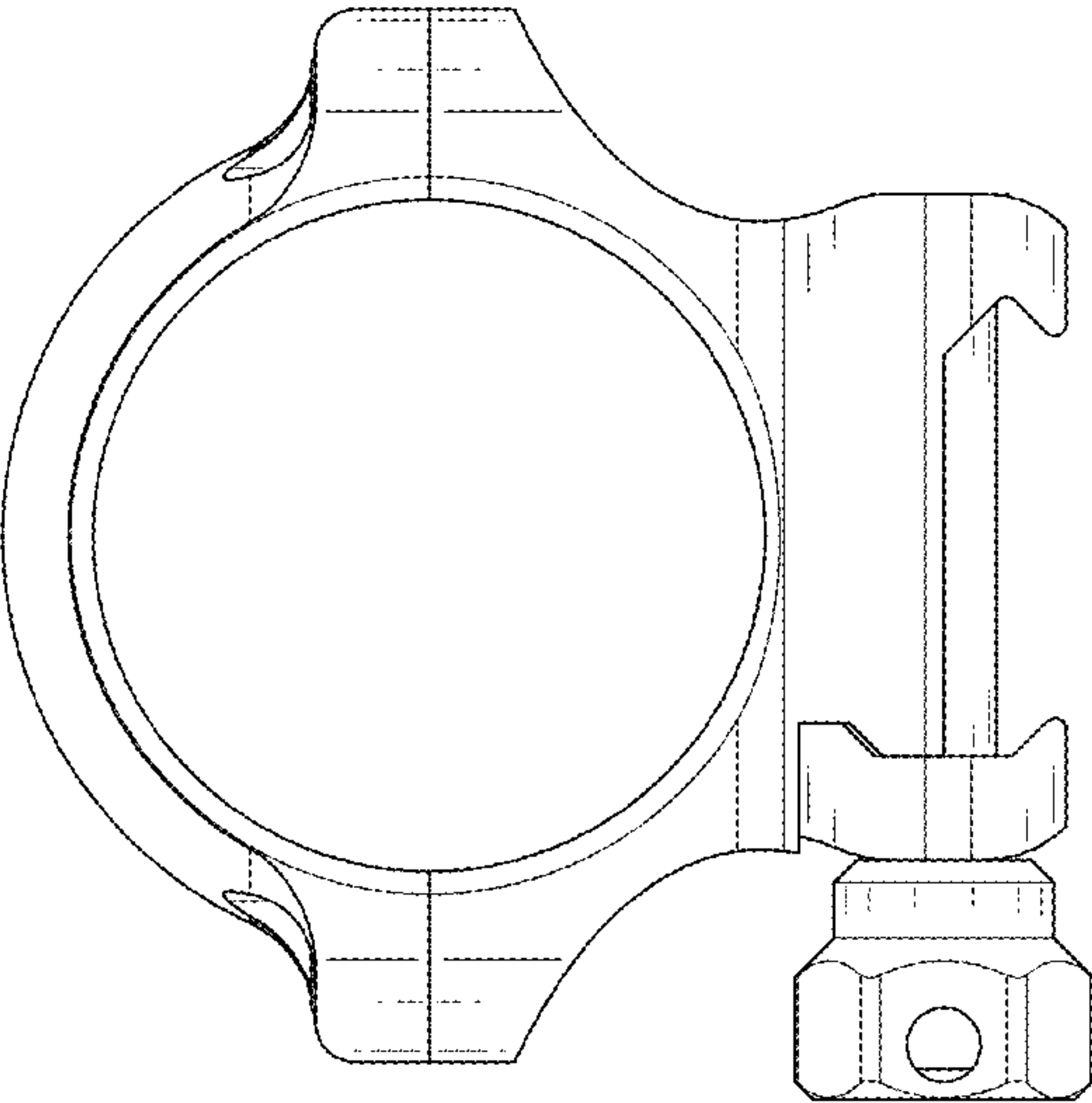


FIG.2

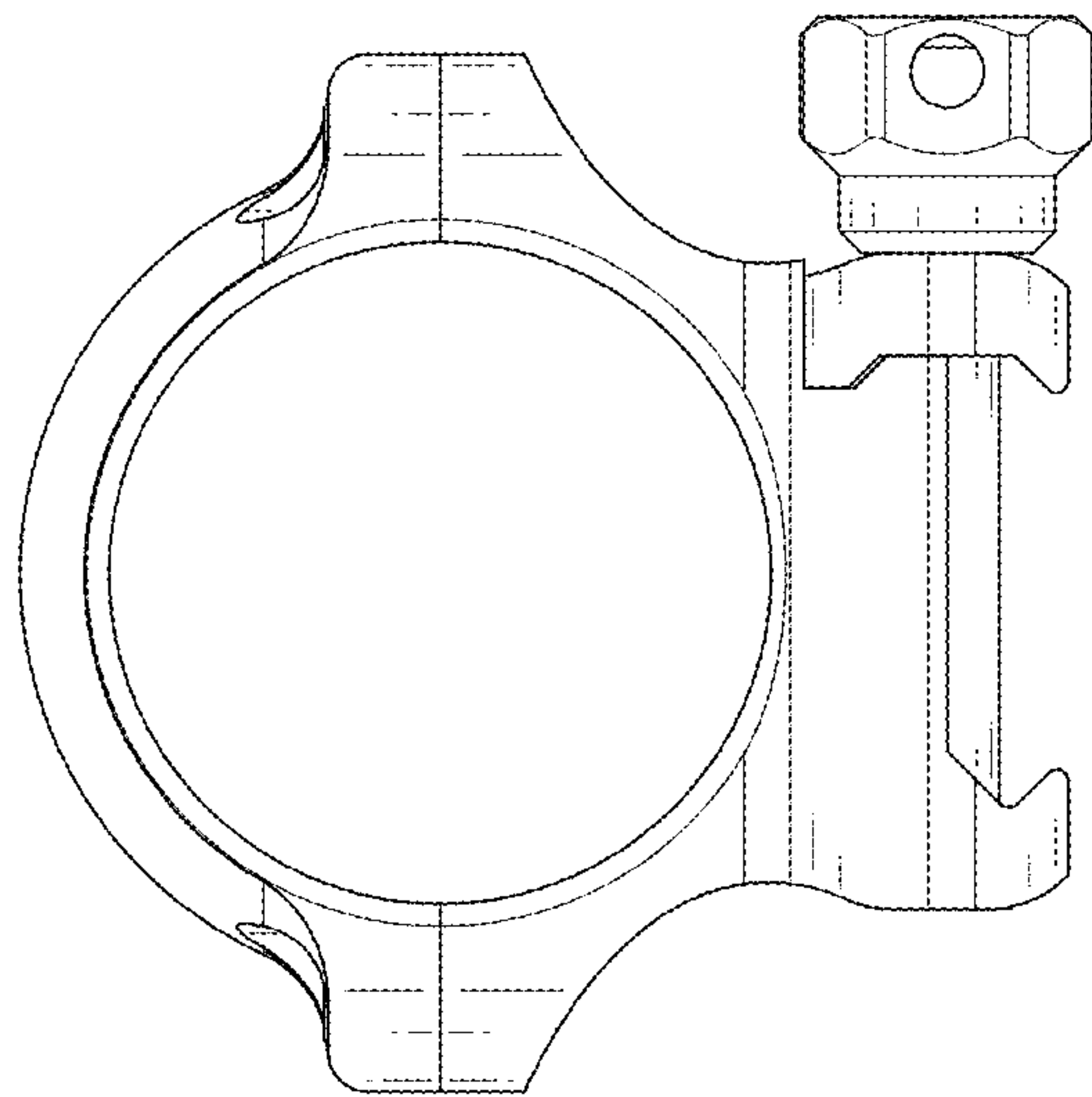


FIG.3

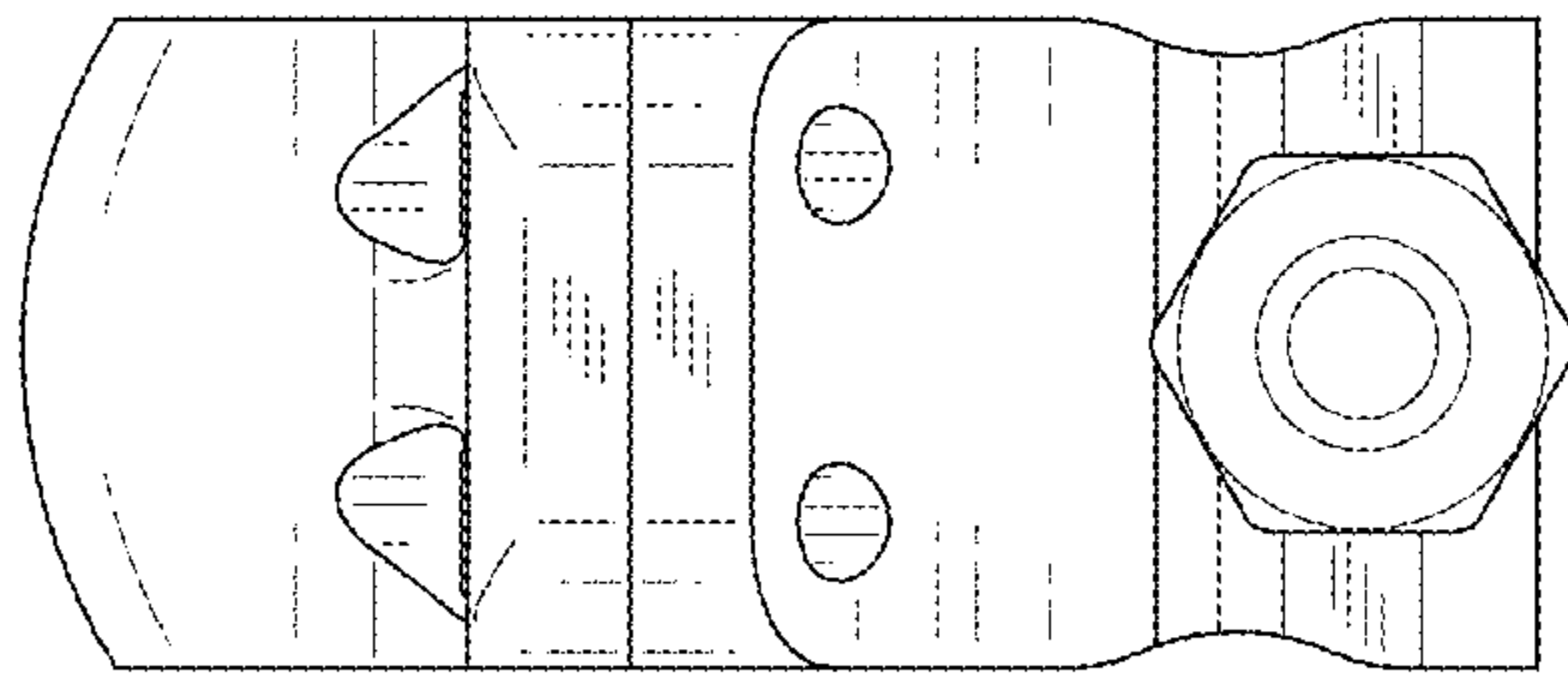


FIG.4

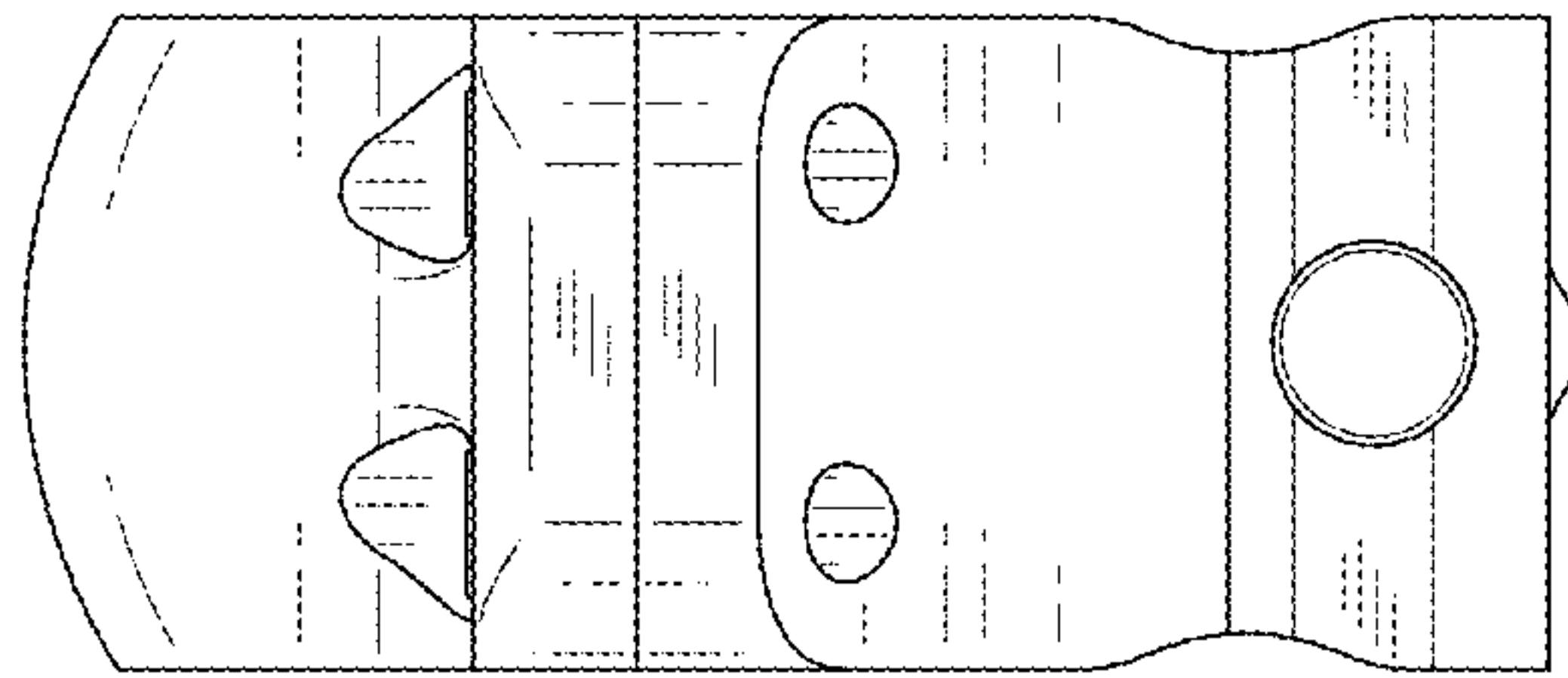


FIG.5

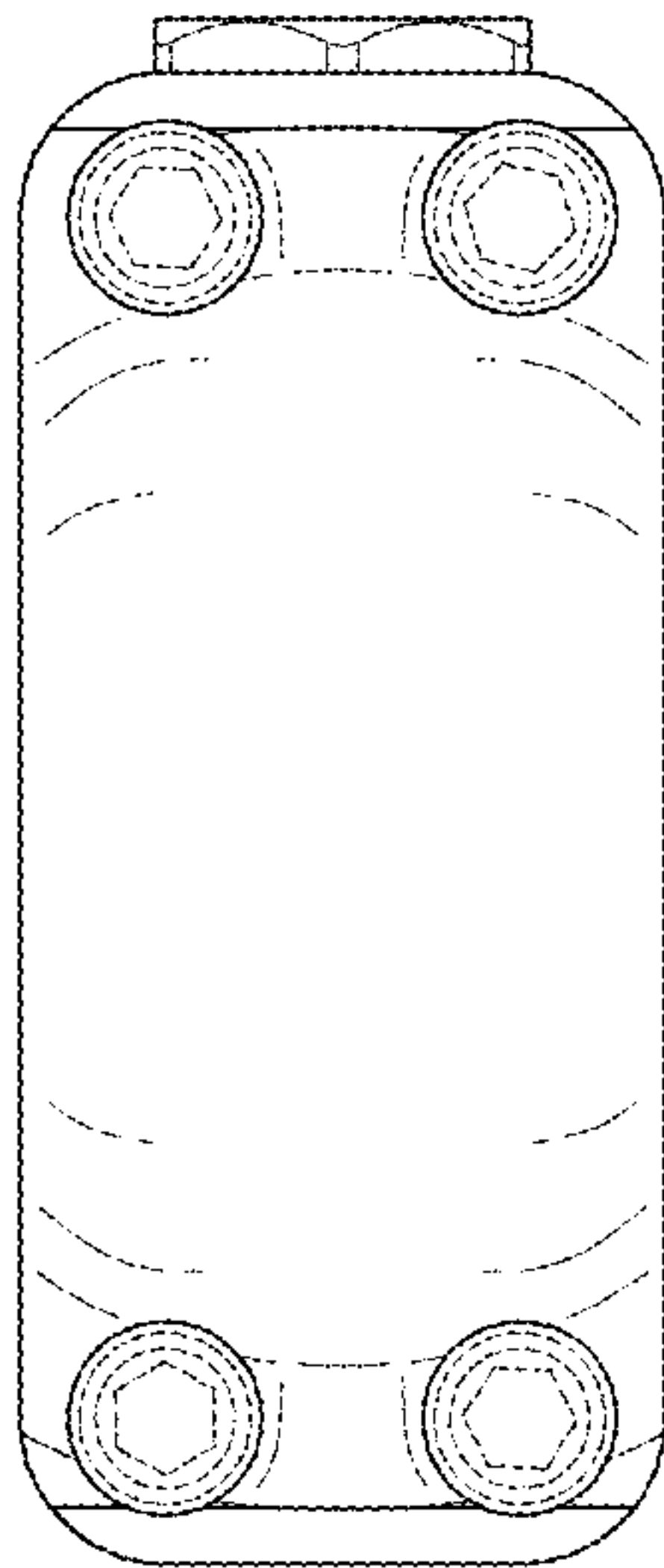


FIG.6

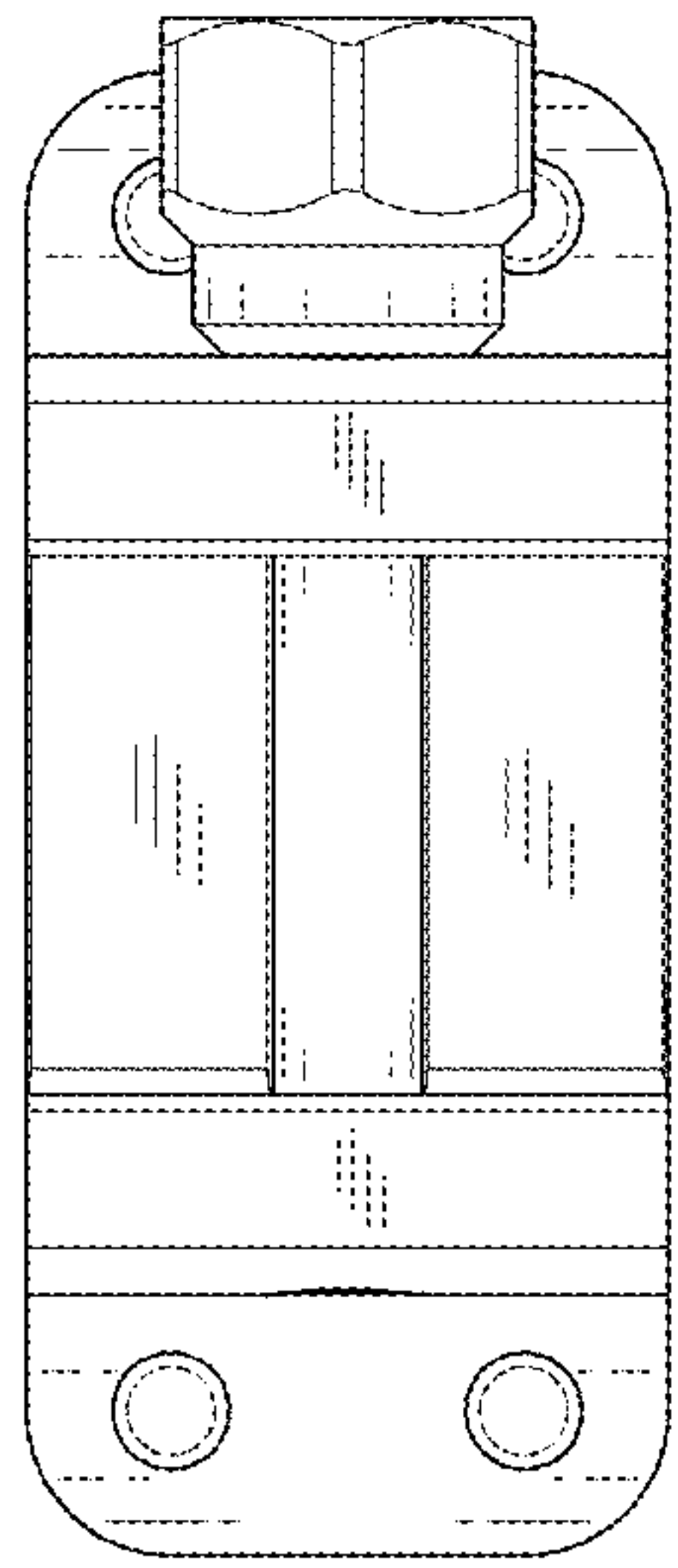


FIG.7

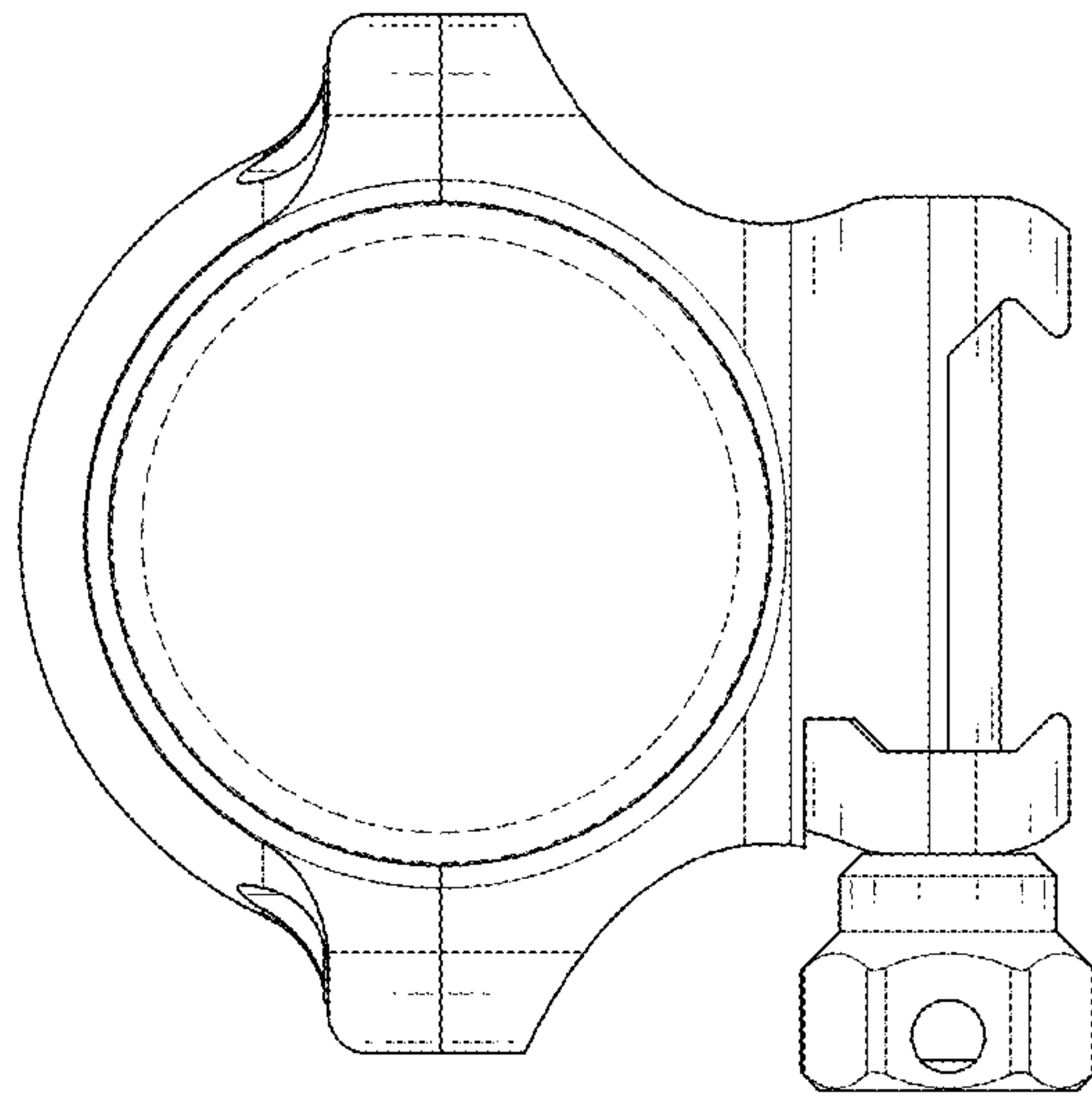


FIG.8

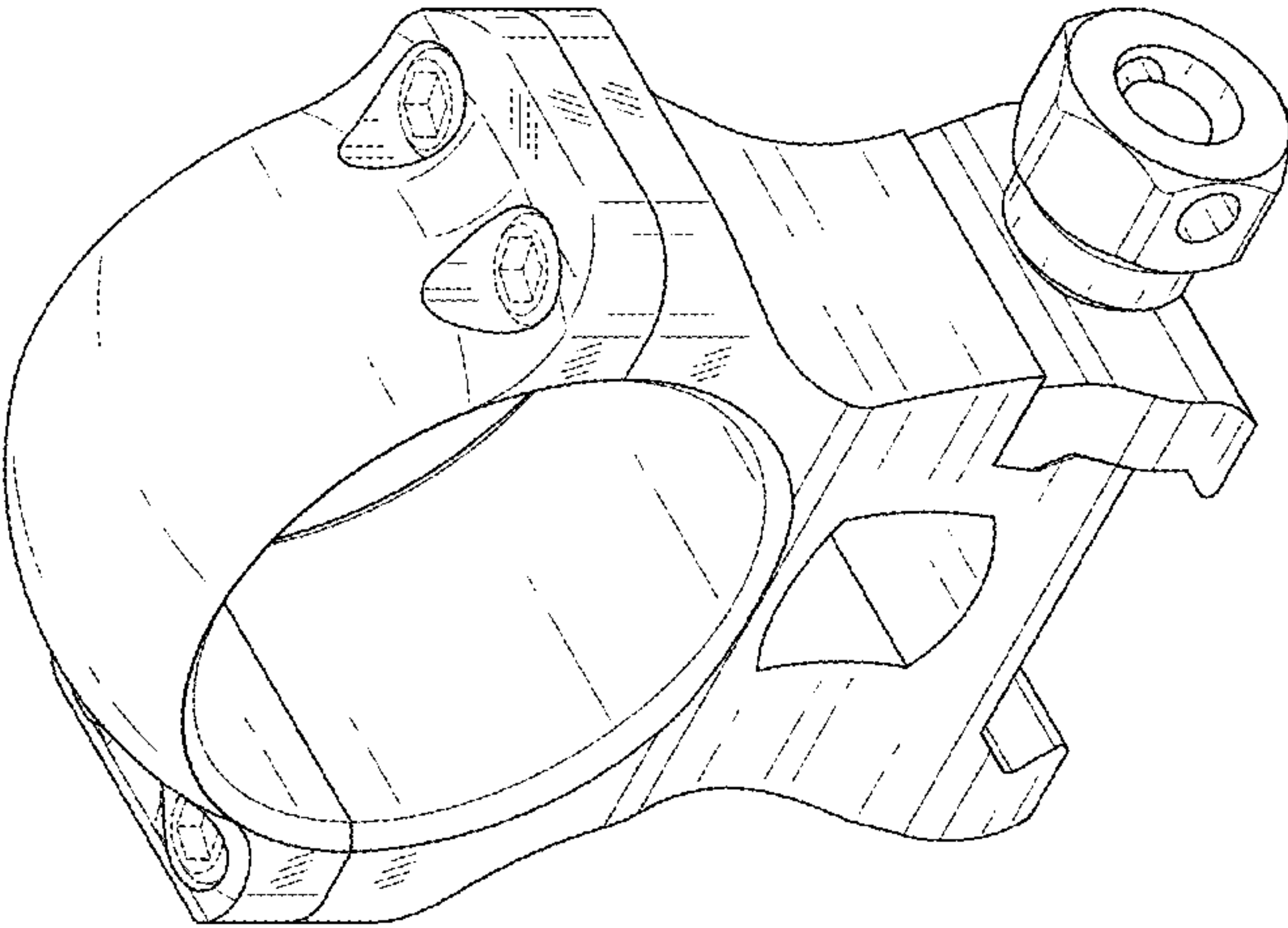


FIG. 9

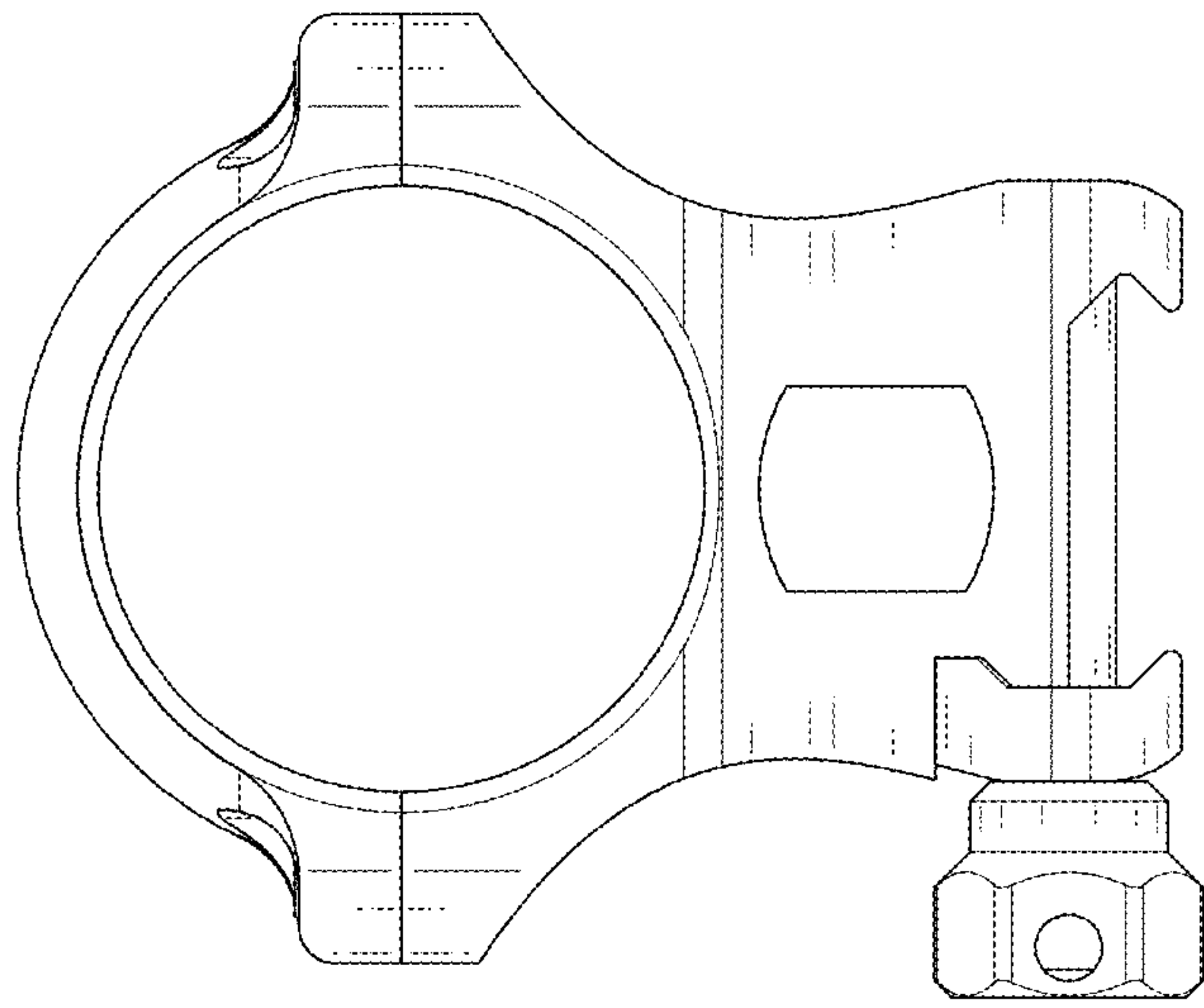


FIG.10

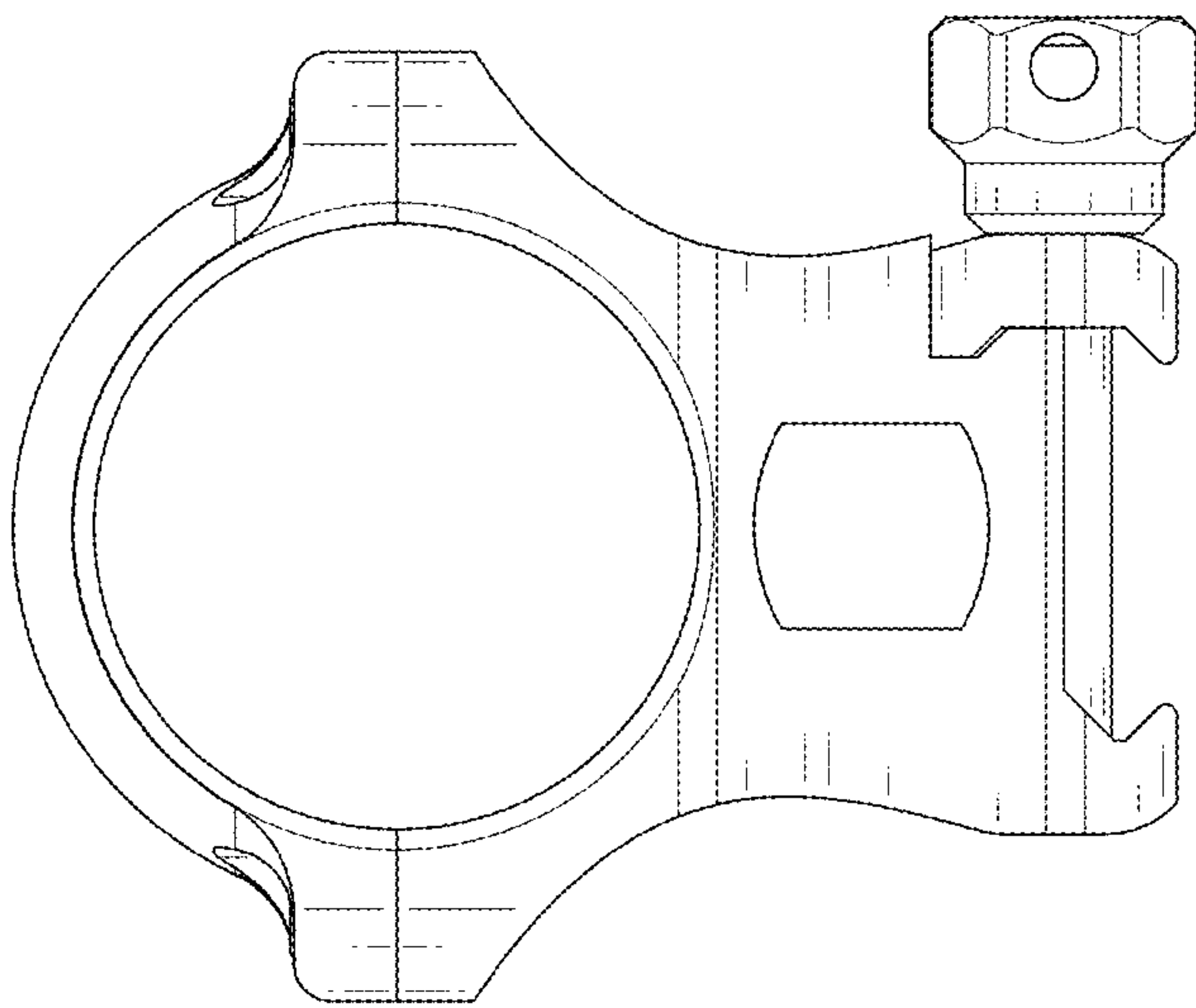


FIG.11

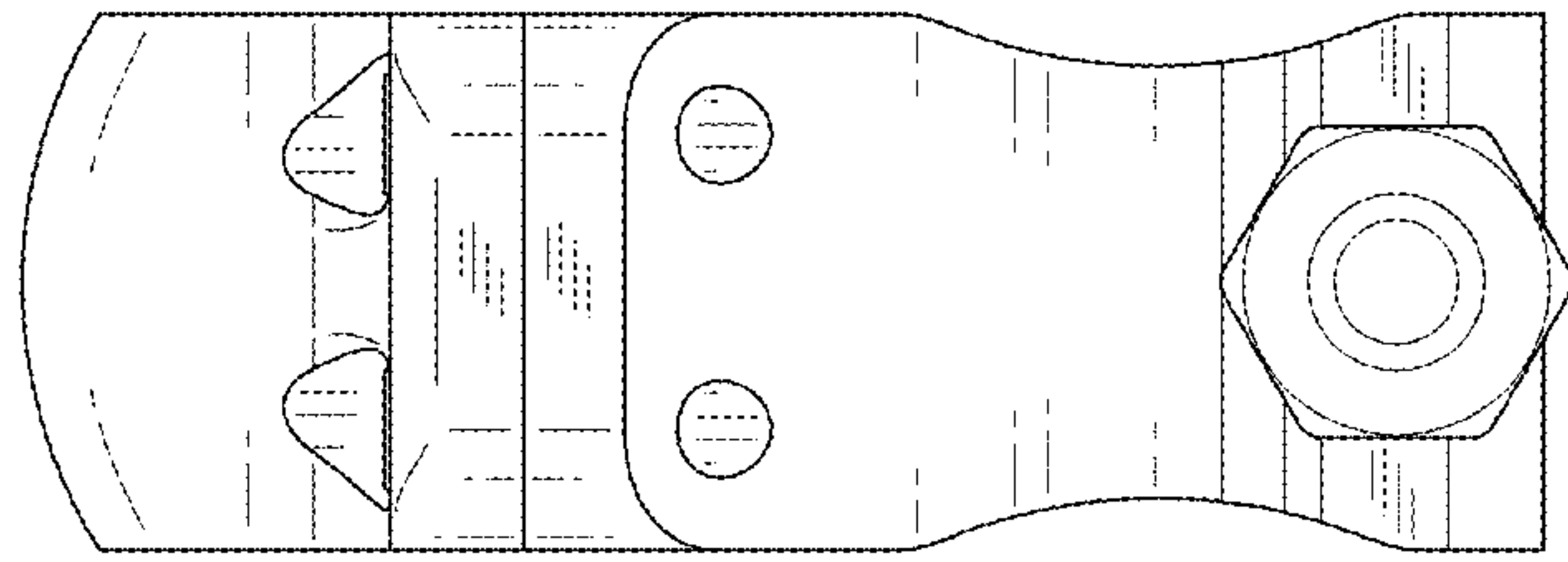


FIG.12

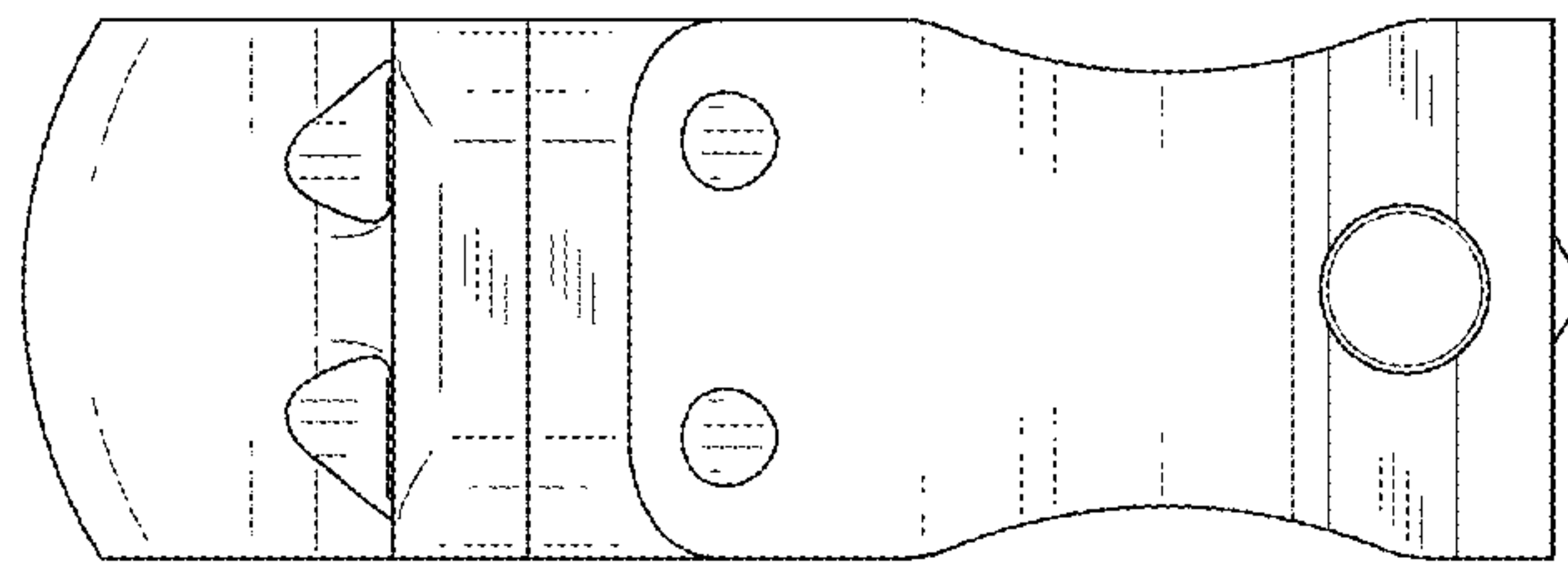


FIG.13

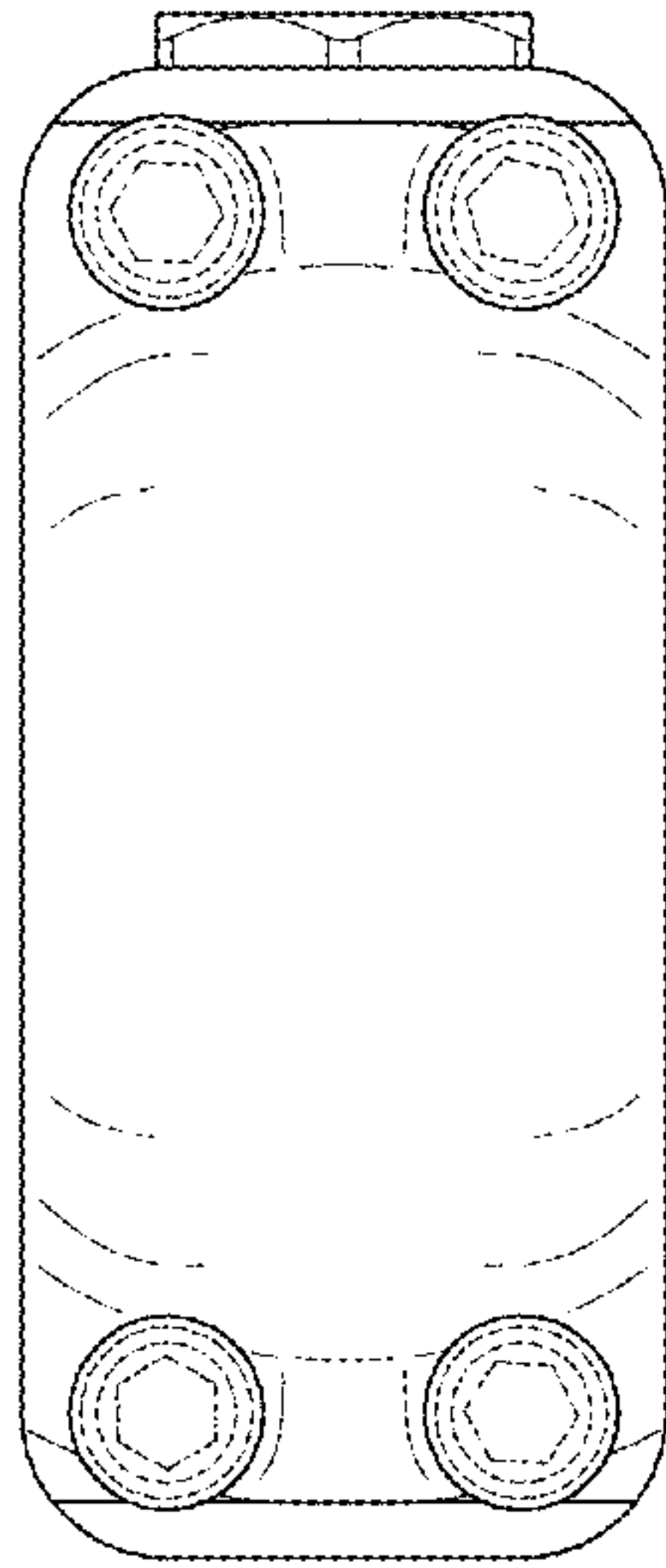


FIG.14

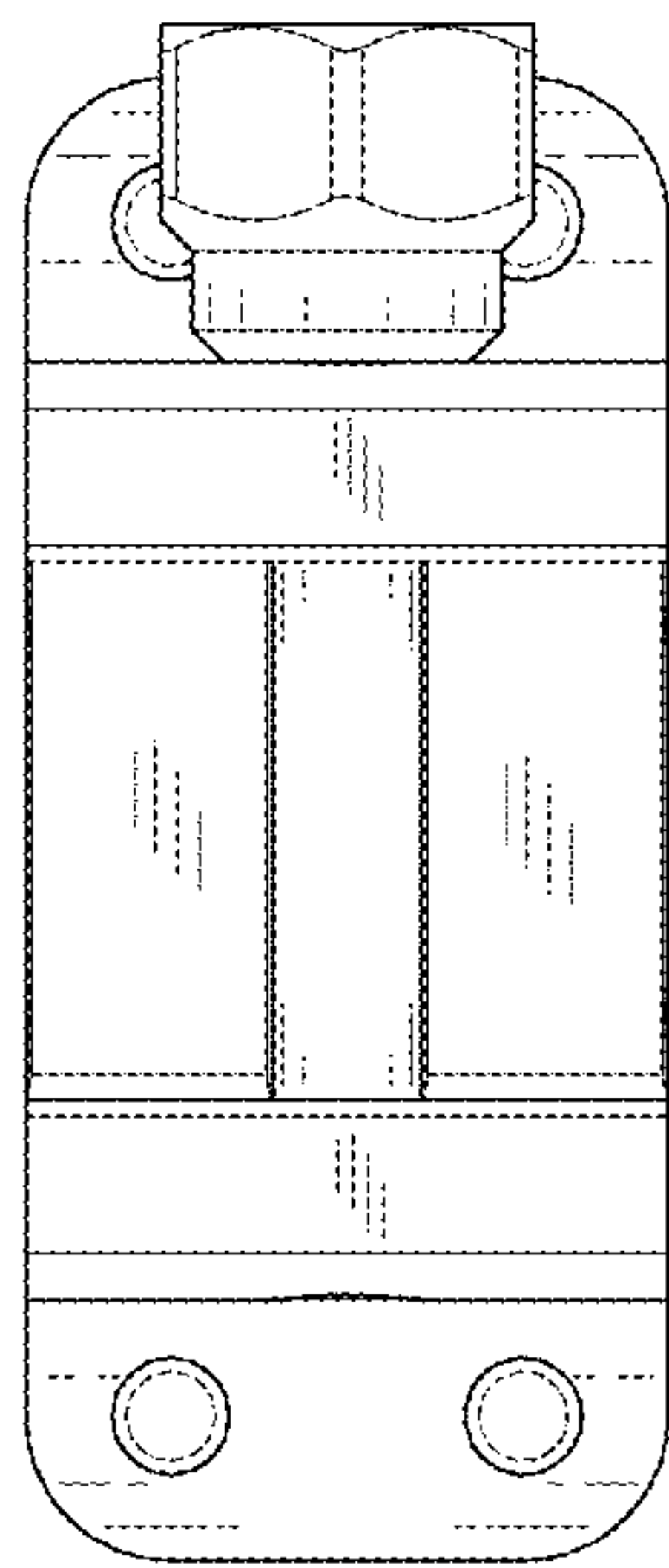


FIG.15

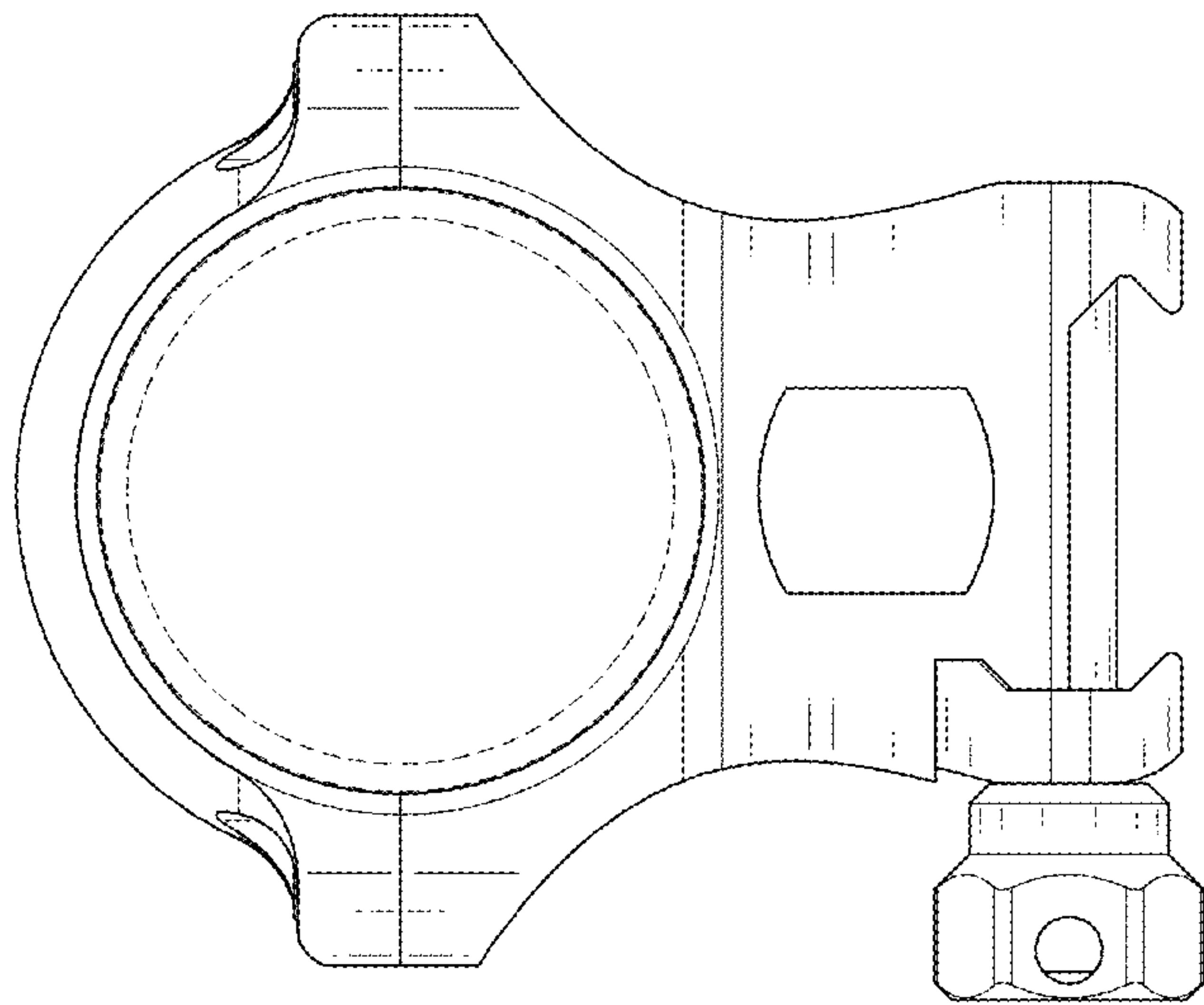


FIG.16

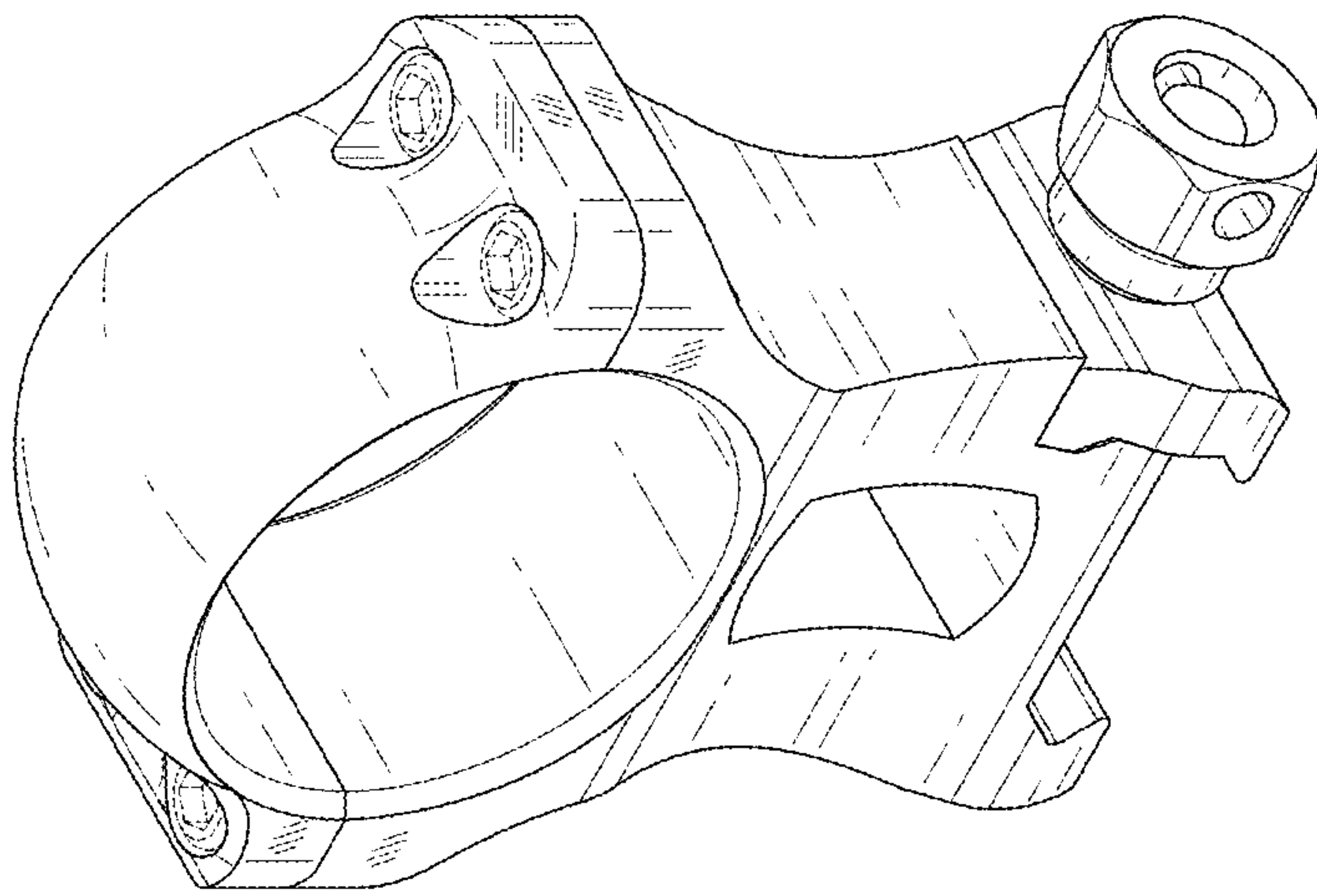


FIG.17

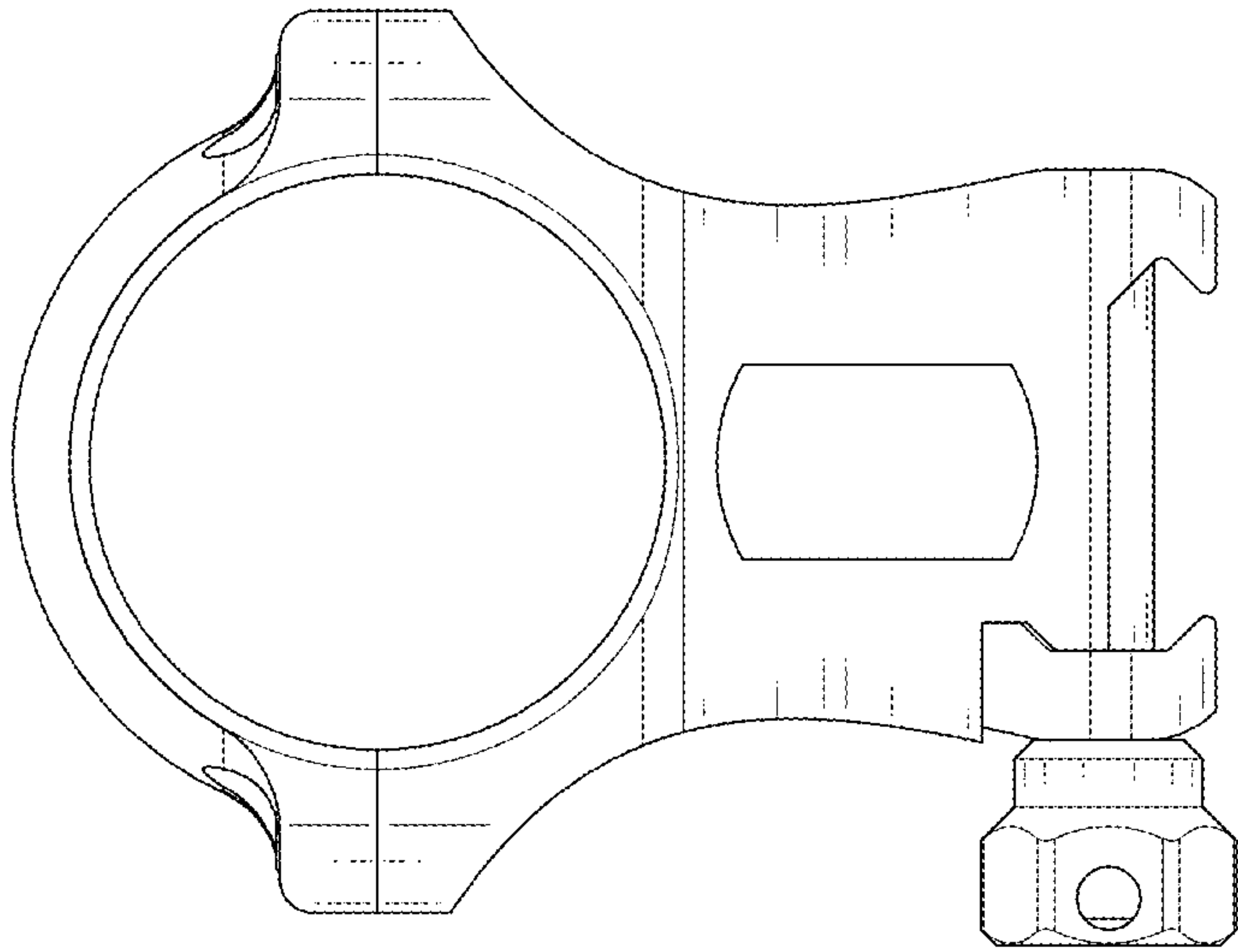


FIG.18

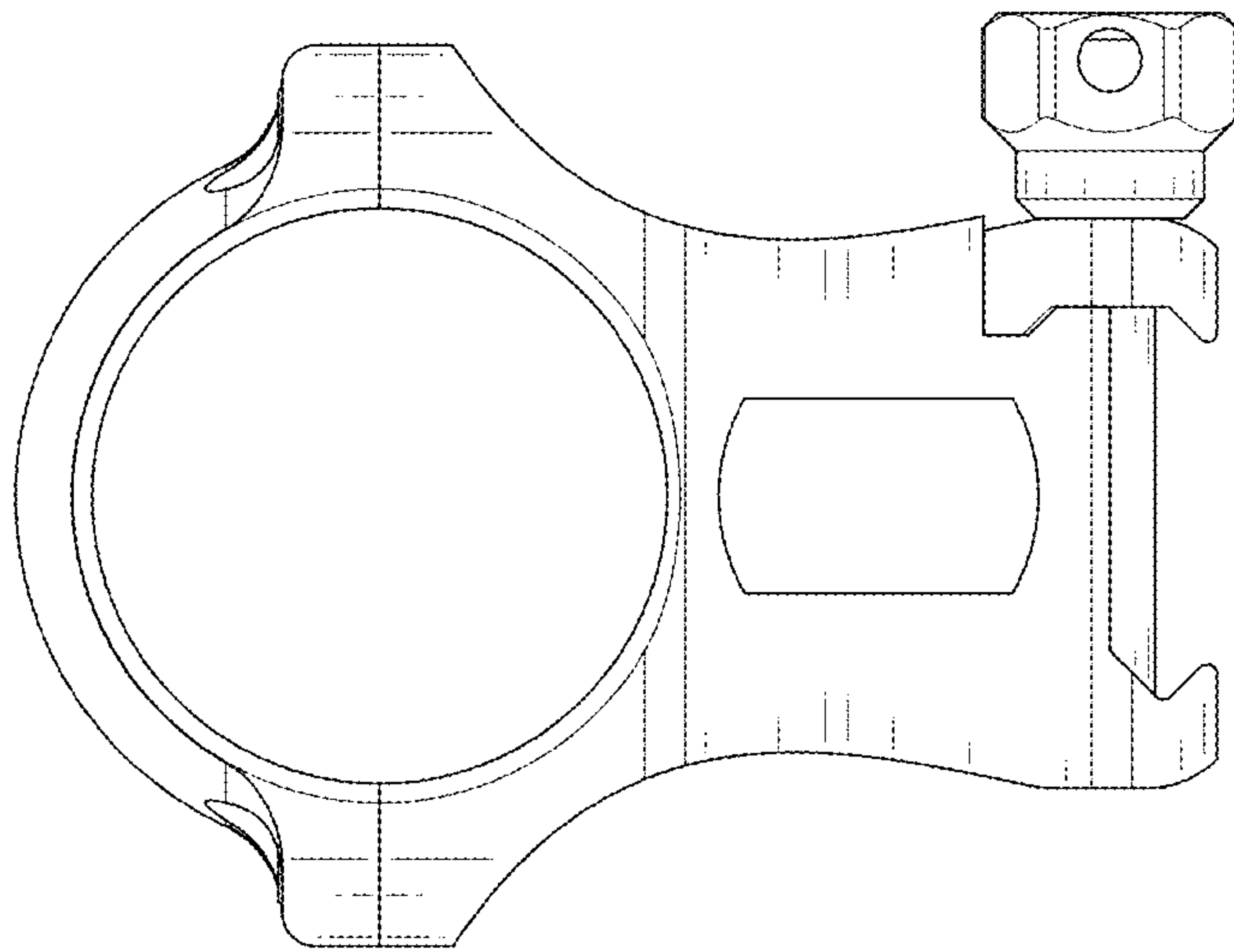


FIG.19

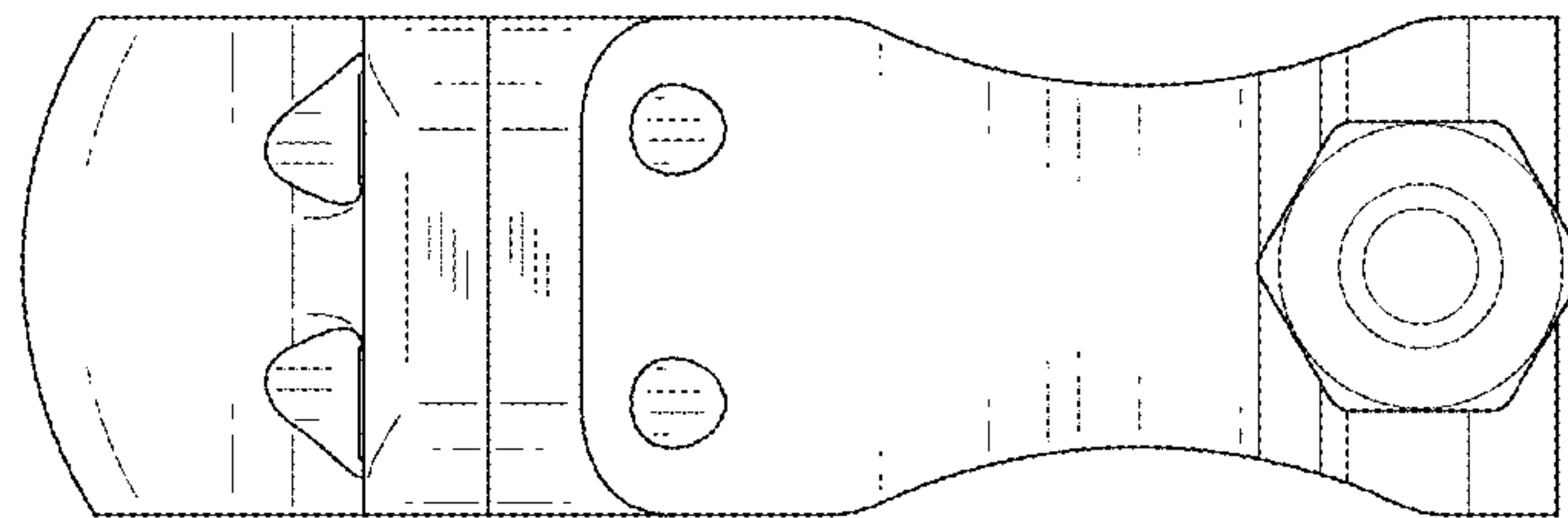


FIG. 20

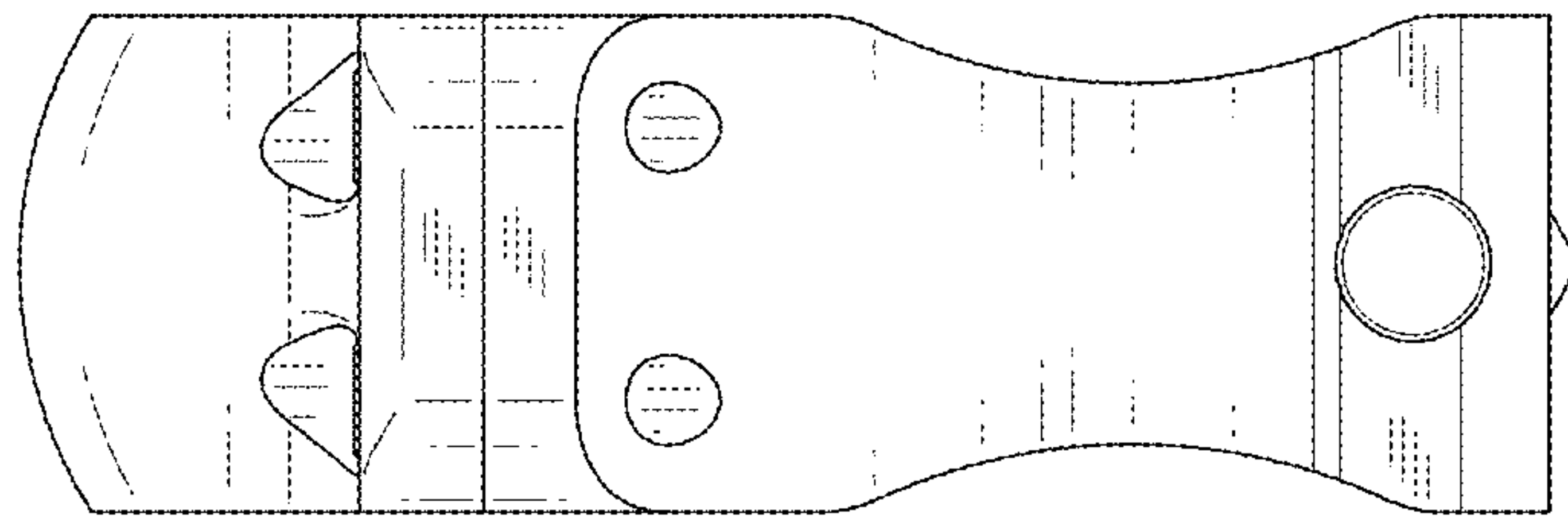


FIG.21

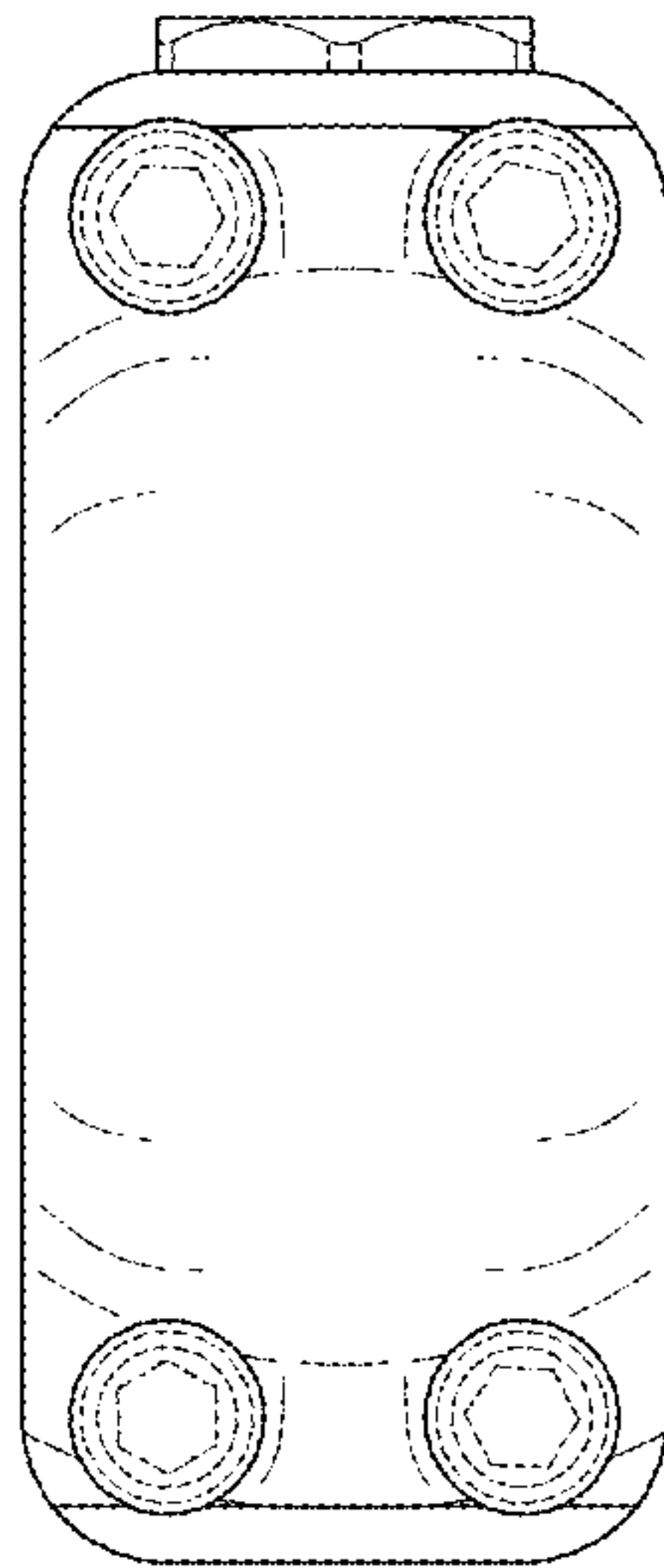


FIG.22

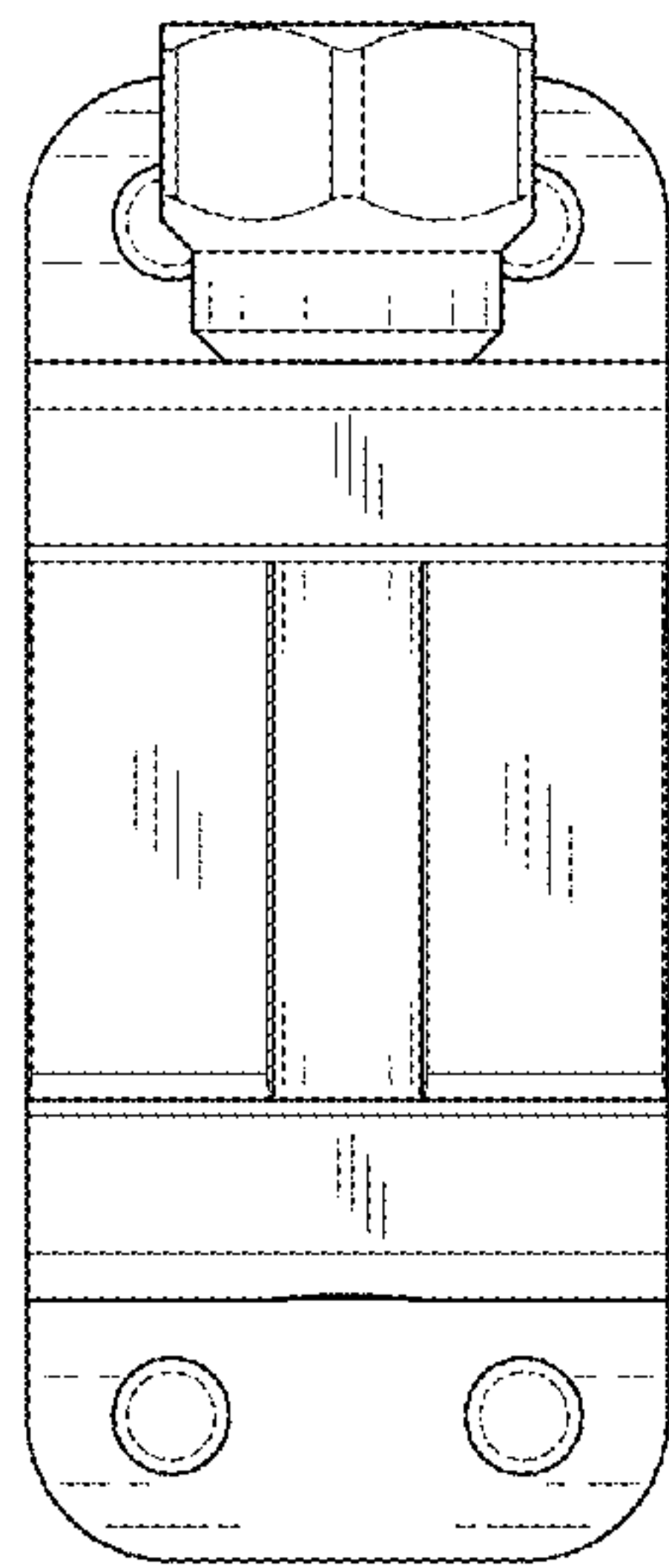


FIG. 23

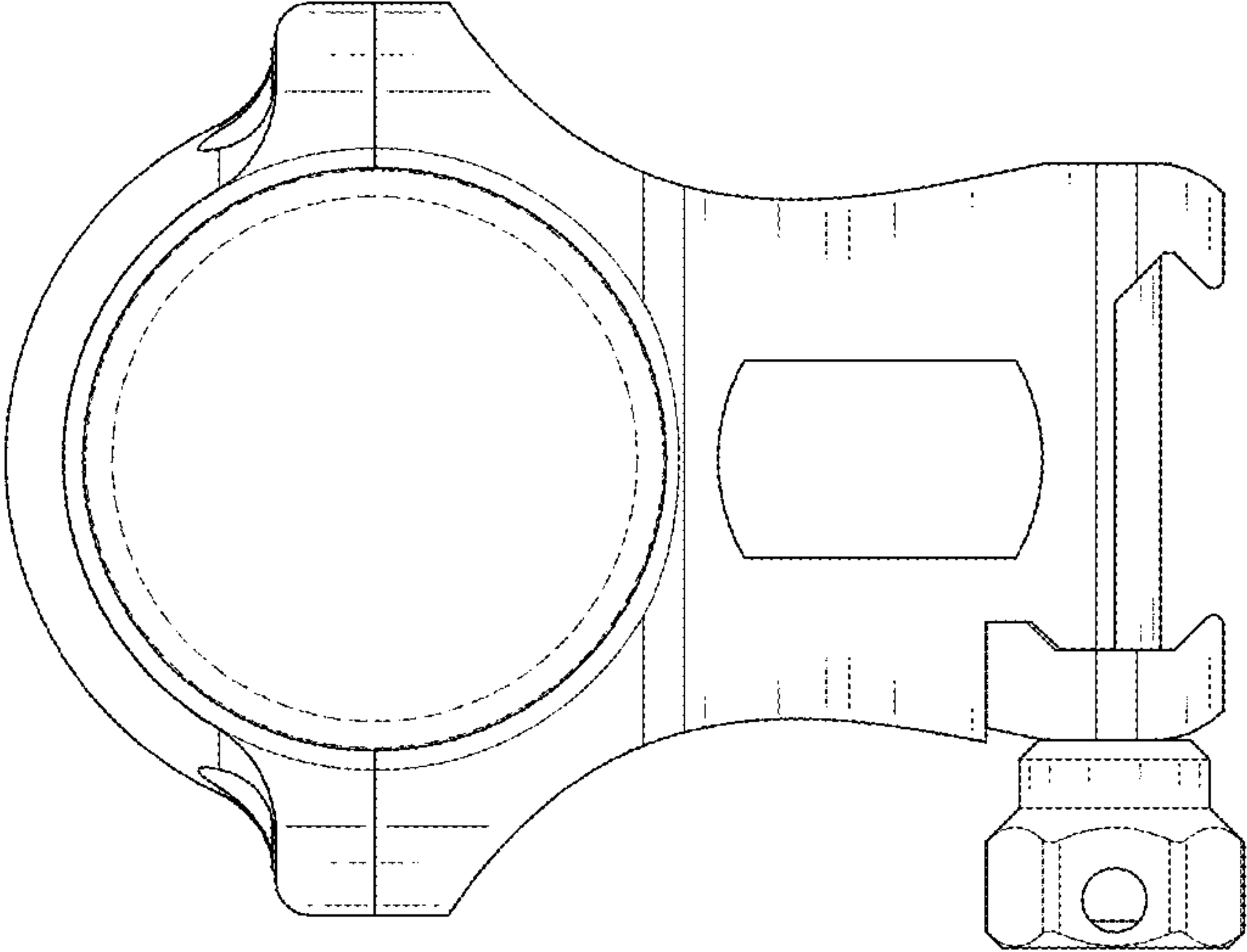


FIG.24