



US00D777288S

(12) **United States Design Patent** (10) **Patent No.:** **US D777,288 S**
Scott (45) **Date of Patent:** **** Jan. 24, 2017**

(54) **1911 HANDGUN SLIDE PROTECTIVE COVER**

OTHER PUBLICATIONS

(71) Applicant: **Gunhugger Enterprises LLC**, San Tan Valley, AZ (US)

Scopecoat, Slideboot, publication date unknown, [site visited Oct. 12, 2016], Available on the Internet URL:<http://shop.scopecoat.com/Slideboot_c10.htm>.*

(72) Inventor: **Michael David Scott**, San Tan Valley, AZ (US)

* cited by examiner

(73) Assignee: **Gunhugger LLC**, San Tan Valley, AZ (US)

Primary Examiner — Susan Bennett Hattan

Assistant Examiner — S. Bryan Reinholdt, Jr.

(**) Term: **15 Years**

(74) *Attorney, Agent, or Firm* — Von Hellens & Bycer Law; Matthew L. Bycer

(21) Appl. No.: **29/539,119**

(57) **CLAIM**

(22) Filed: **Sep. 10, 2015**

I claim the ornamental design for 1911 handgun slide protective cover, as shown and described.

(51) **LOC (10) Cl.** **22-01**

(52) **U.S. Cl.**

USPC **D22/108**

(58) **Field of Classification Search**

DESCRIPTION

USPC D3/218, 255, 273, 276, 290, 299, 303, D3/902; D7/607, 608; D22/108, 199; D29/25, 129, 130; 42/96; 150/154, 165, 150/901; 206/317; 220/480, 481
CPC B65D 25/24; B65D 85/00; B65D 65/02; F41A 35/04
See application file for complete search history.

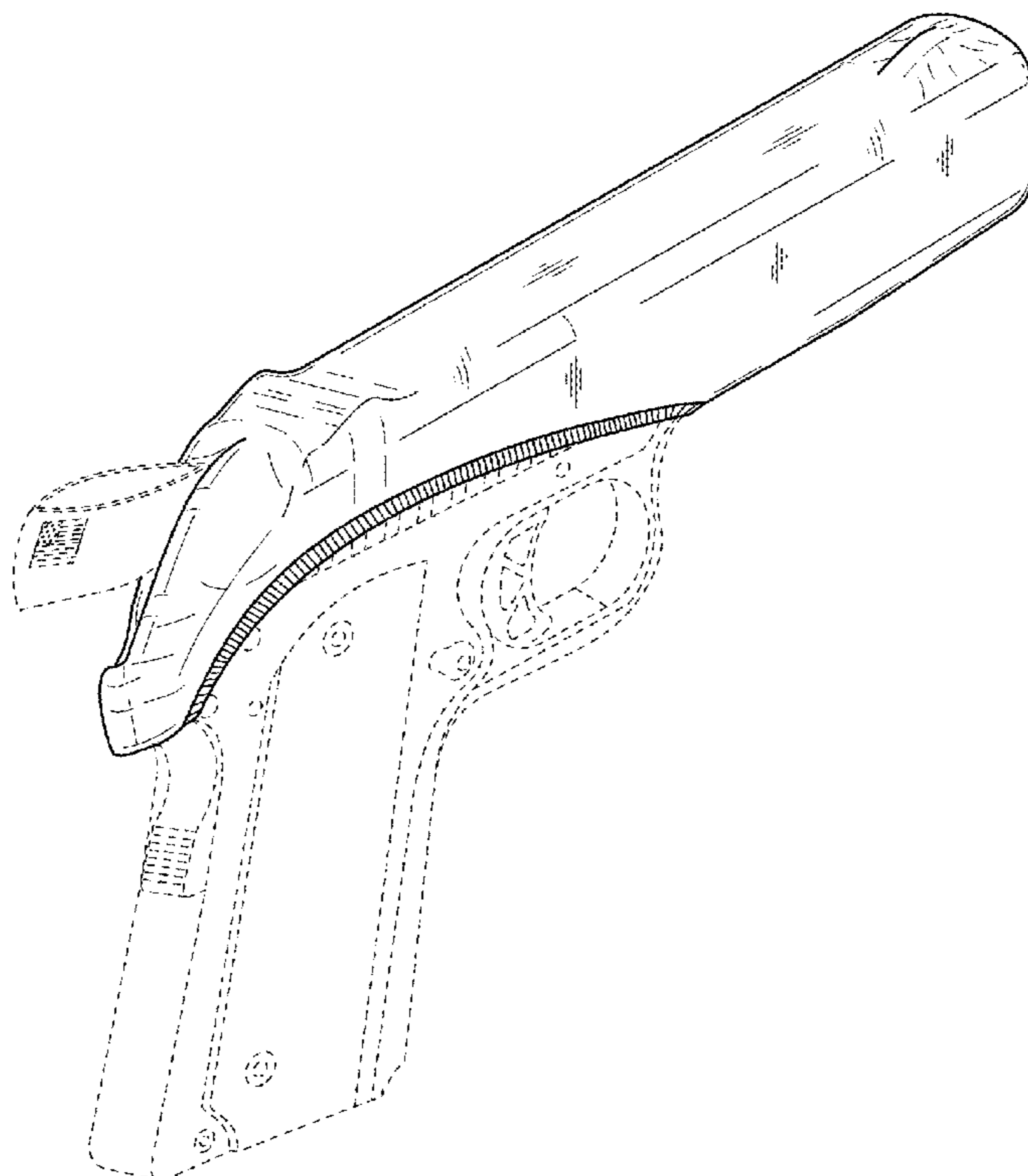
FIG. 1 is a perspective view of a 1911 handgun slide protective cover showing my new design; FIG. 2 is a left side view thereof; FIG. 3 is a right side view of the design; FIG. 4 is a frontal view of the design; FIG. 5 is a back view of the design; FIG. 6 is a top view of the design; and, FIG. 7 is a bottom view of the design. The broken lines shown in the drawings represent portions of the 1911 handgun slide protective cover that form no part of the claimed design.

(56) **References Cited**

U.S. PATENT DOCUMENTS

D652,469 S * 1/2012 Sayre D22/108
2005/0279789 A1 * 12/2005 Lowe F41C 33/0263
224/244

1 Claim, 7 Drawing Sheets



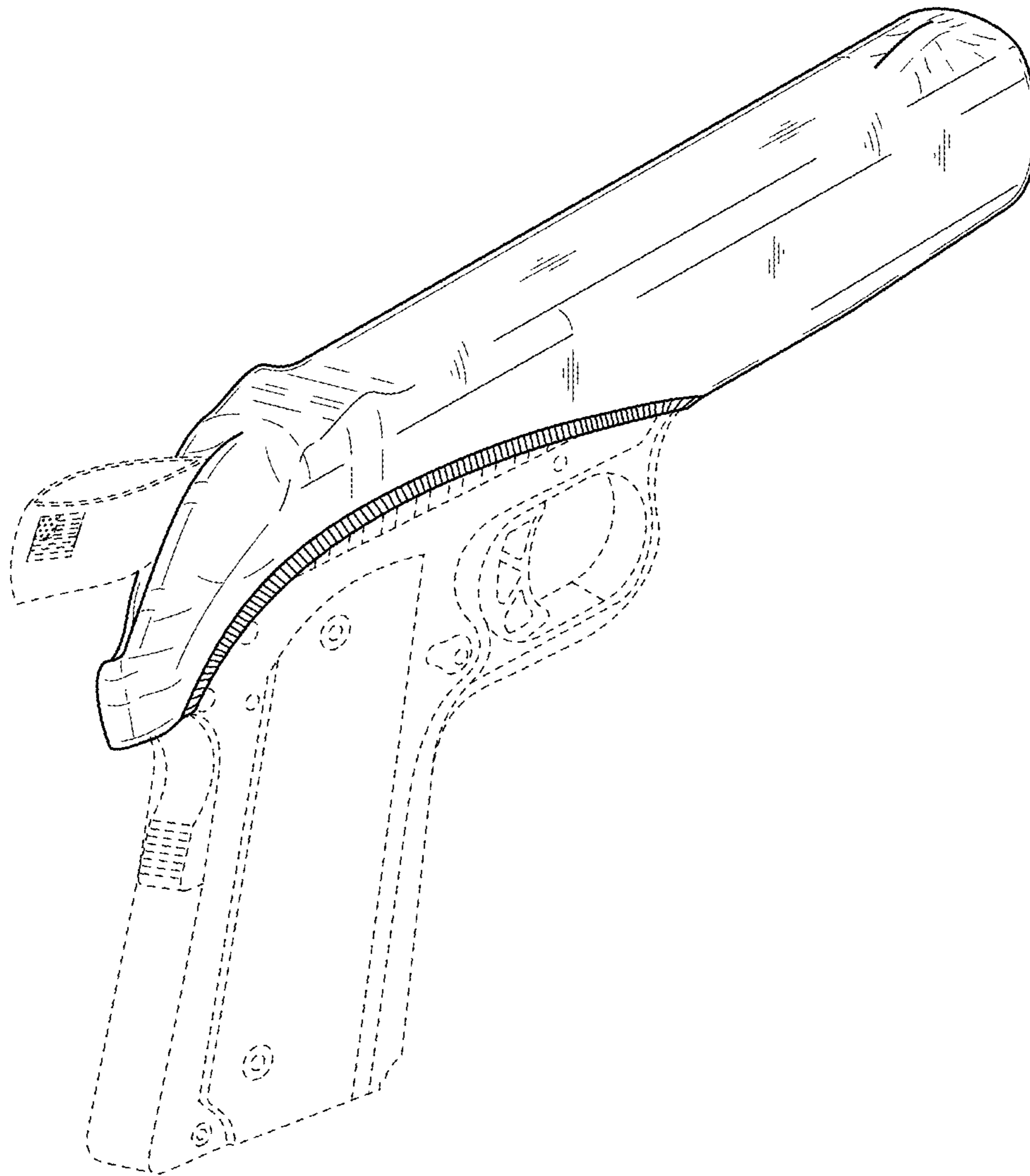


FIG. 1

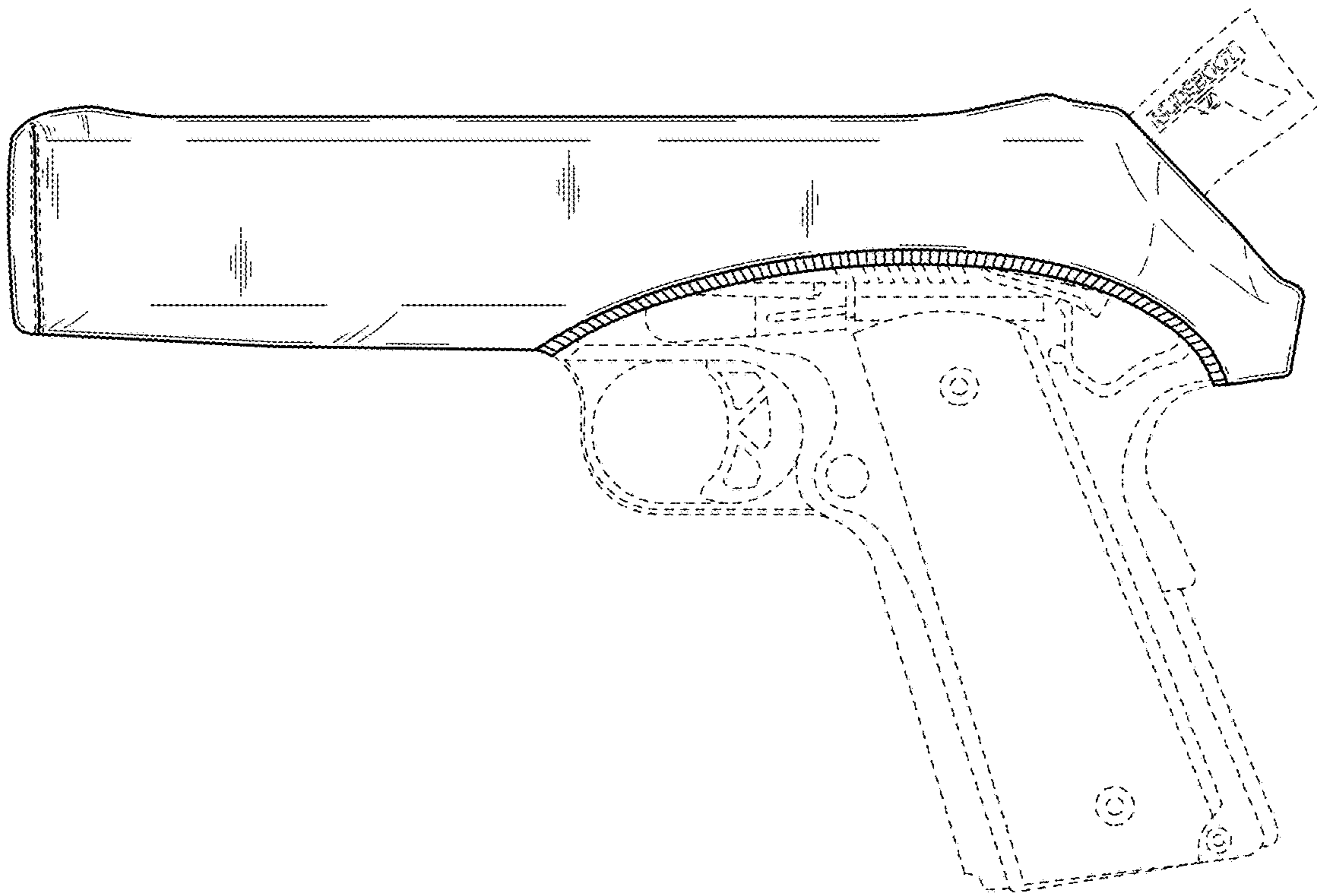


FIG. 2

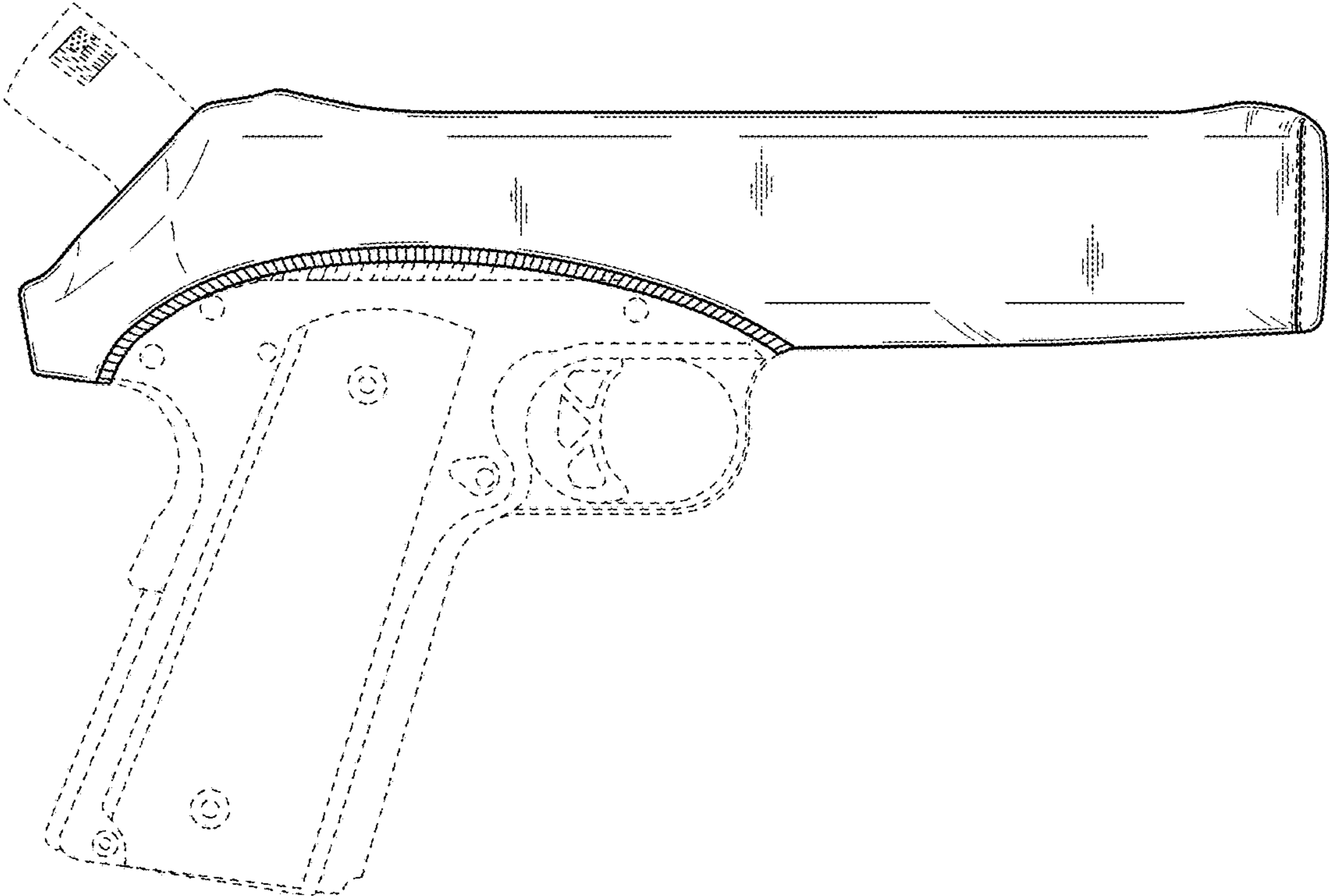


FIG. 3

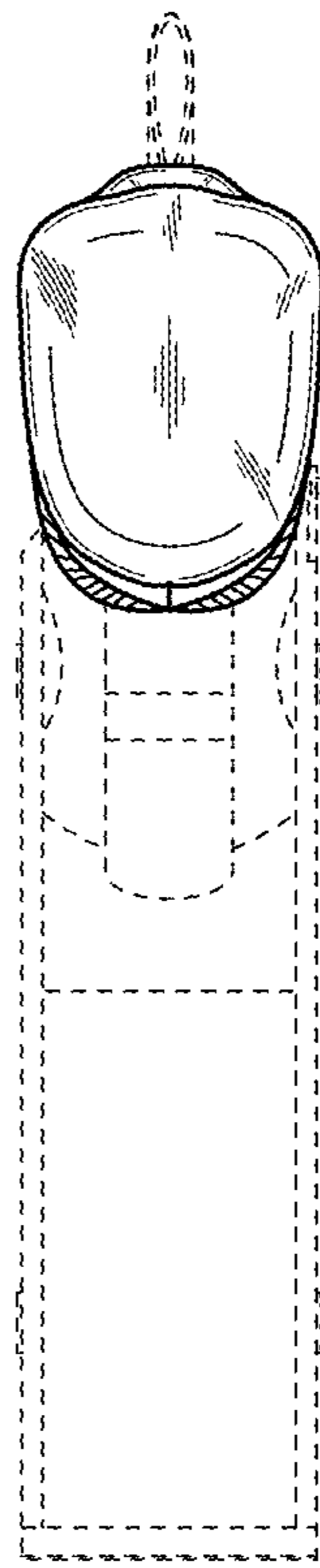


FIG. 4

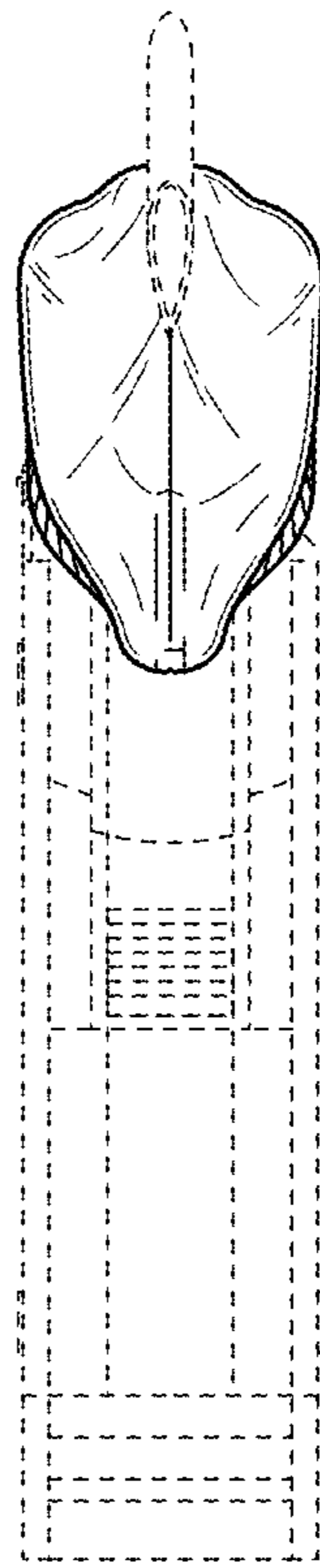


FIG. 5



FIG. 6

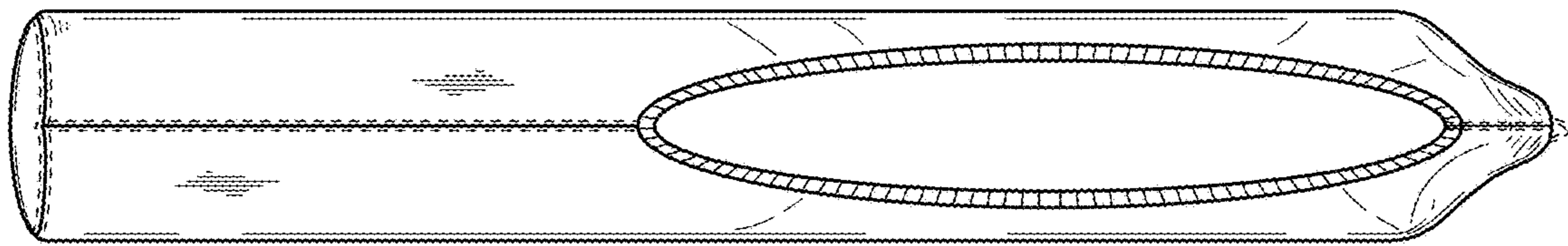


FIG. 7