

US00D777287S

(12) **United States Design Patent**
Scott

(10) **Patent No.:** **US D777,287 S**
(45) **Date of Patent:** **** Jan. 24, 2017**

(54) **HANDGUN SLIDE PROTECTIVE COVER**

(71) Applicant: **Gunhugger Enterprises LLC**, San Tan Valley, AZ (US)

(72) Inventor: **Michael David Scott**, San Tan Valley, AZ (US)

(73) Assignee: **Gunhugger LLC**, San Tan Valley, AZ (US)

(**) Term: **15 Years**

(21) Appl. No.: **29/539,118**

(22) Filed: **Sep. 10, 2015**

(51) **LOC (10) Cl.** **22-01**

(52) **U.S. Cl.**
USPC **D22/108**

(58) **Field of Classification Search**
USPC D3/218, 255, 273, 276, 290, 299, 303,
D3/902; D7/607, 608; D22/108, 199;
D29/25, 129, 130; 42/96; 150/154, 165,
150/901; 206/317; 220/480, 481
CPC B65D 25/24; B65D 85/00; B65D 65/02;
F41A 35/04
See application file for complete search history.

(56) **References Cited**

U.S. PATENT DOCUMENTS

D652,469 S * 1/2012 Sayre D22/108
2005/0279789 A1 * 12/2005 Lowe F41C 33/0263
224/244

OTHER PUBLICATIONS

Torqued Magazine, Scopecoat Acquires Slideboot, publication date unknown, [site visited Oct. 12, 2016], Available on the Internet URL:<<http://www.torquedmag.com/scopecoatacquireslideboot/>>.*

* cited by examiner

Primary Examiner — Susan Bennett Hattan

Assistant Examiner — S. Bryan Reinholdt, Jr.

(74) *Attorney, Agent, or Firm* — Von Hellens & Bycer Law; Matthew L. Bycer

(57) **CLAIM**

I claim the ornamental design for handgun slide protective cover, as shown and described.

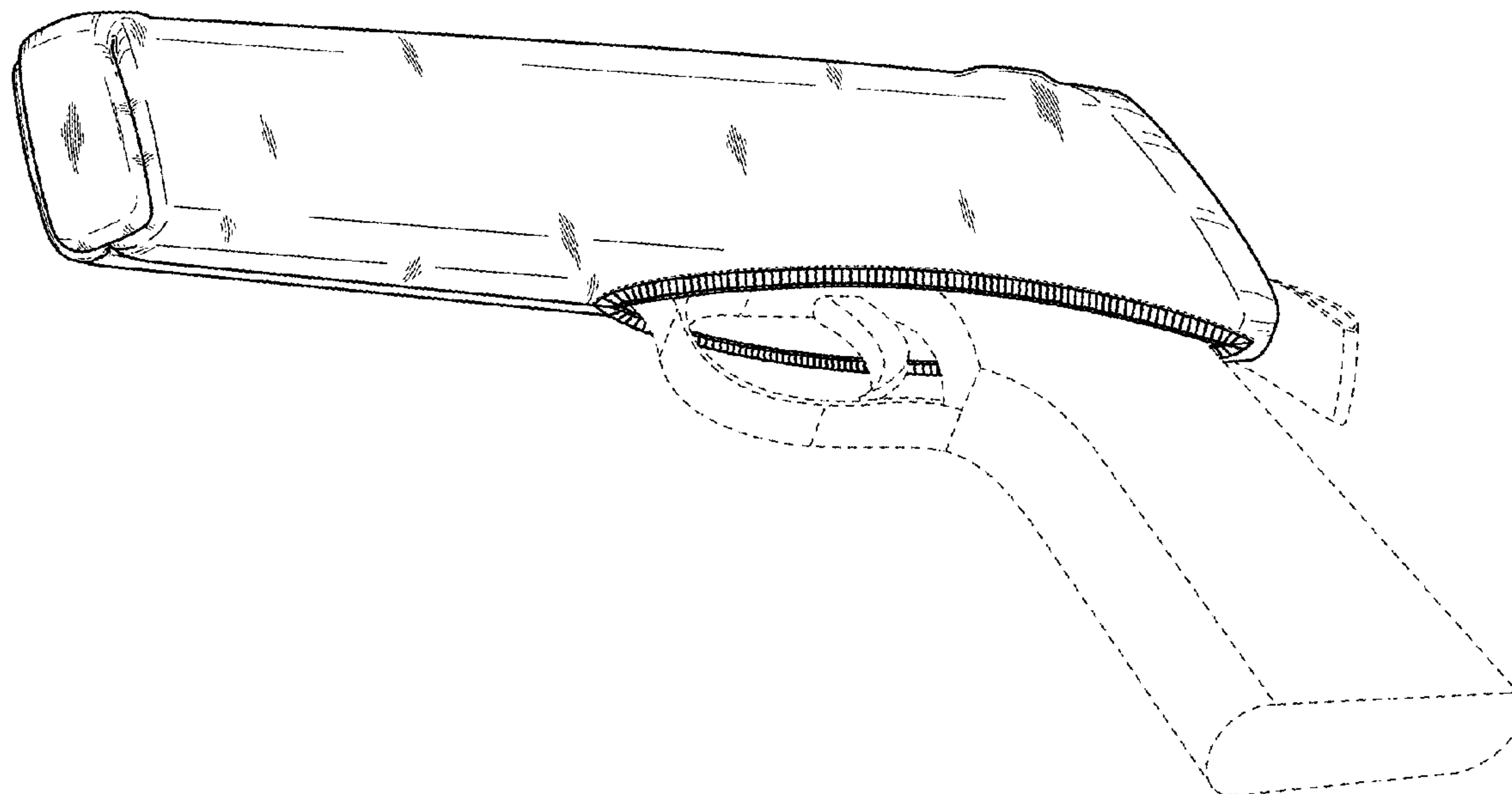
DESCRIPTION

FIG. 1 is a perspective view of a handgun slide protective cover showing my new design; FIG. 2 is a left side view thereof; FIG. 3 is a right side view of the design; FIG. 4 is a frontal view of the design; FIG. 5 is a back view of the design; FIG. 6 is a top view of the design; and, FIG. 7 is a bottom view of the design.

The drawings set forth a unique design for the handgun slide protective cover.

The broken lines shown in the drawings represent portions of the handgun slide protective cover that form no part of the claimed design.

1 Claim, 7 Drawing Sheets



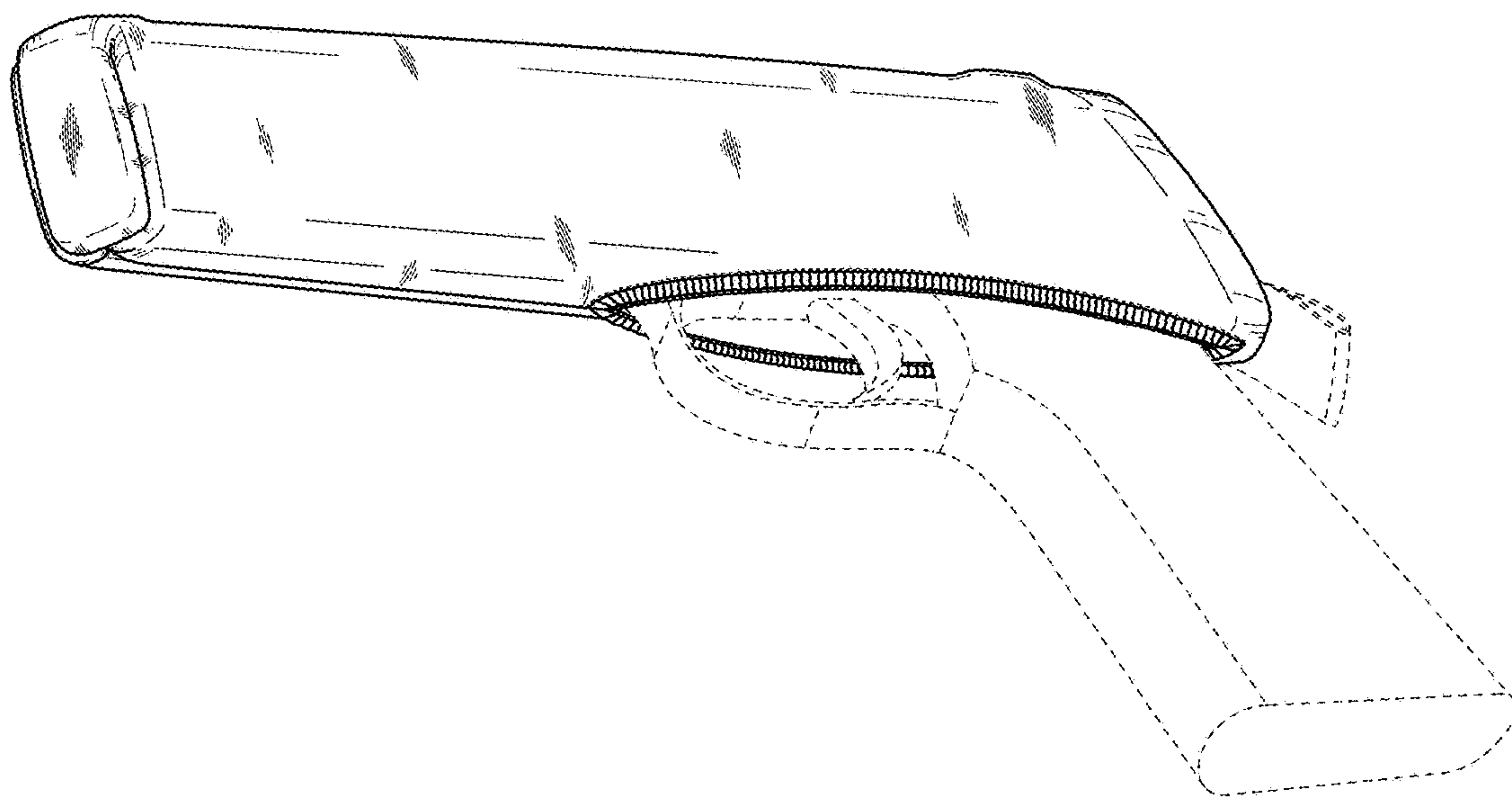


FIG. 1

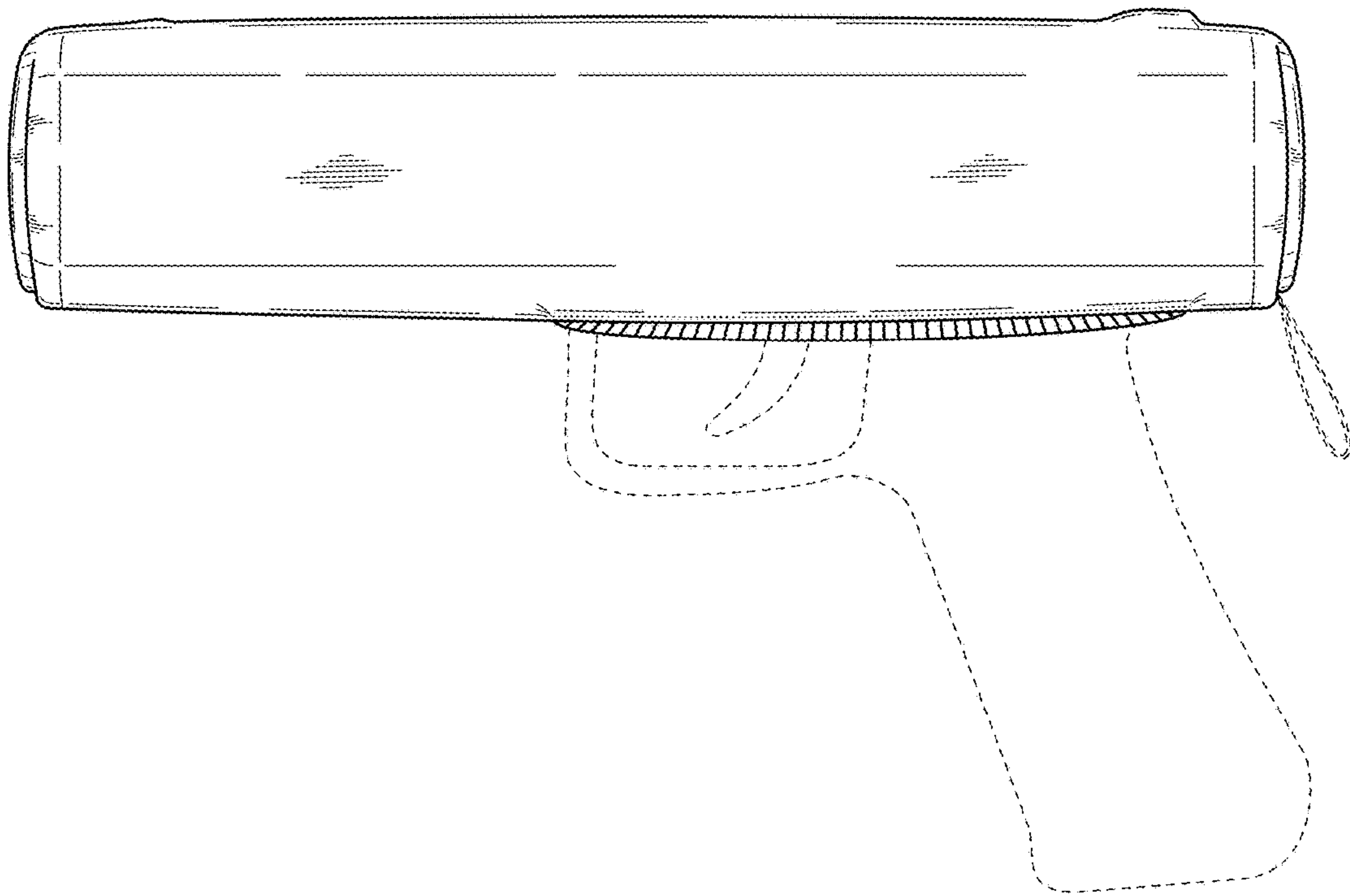


FIG. 2

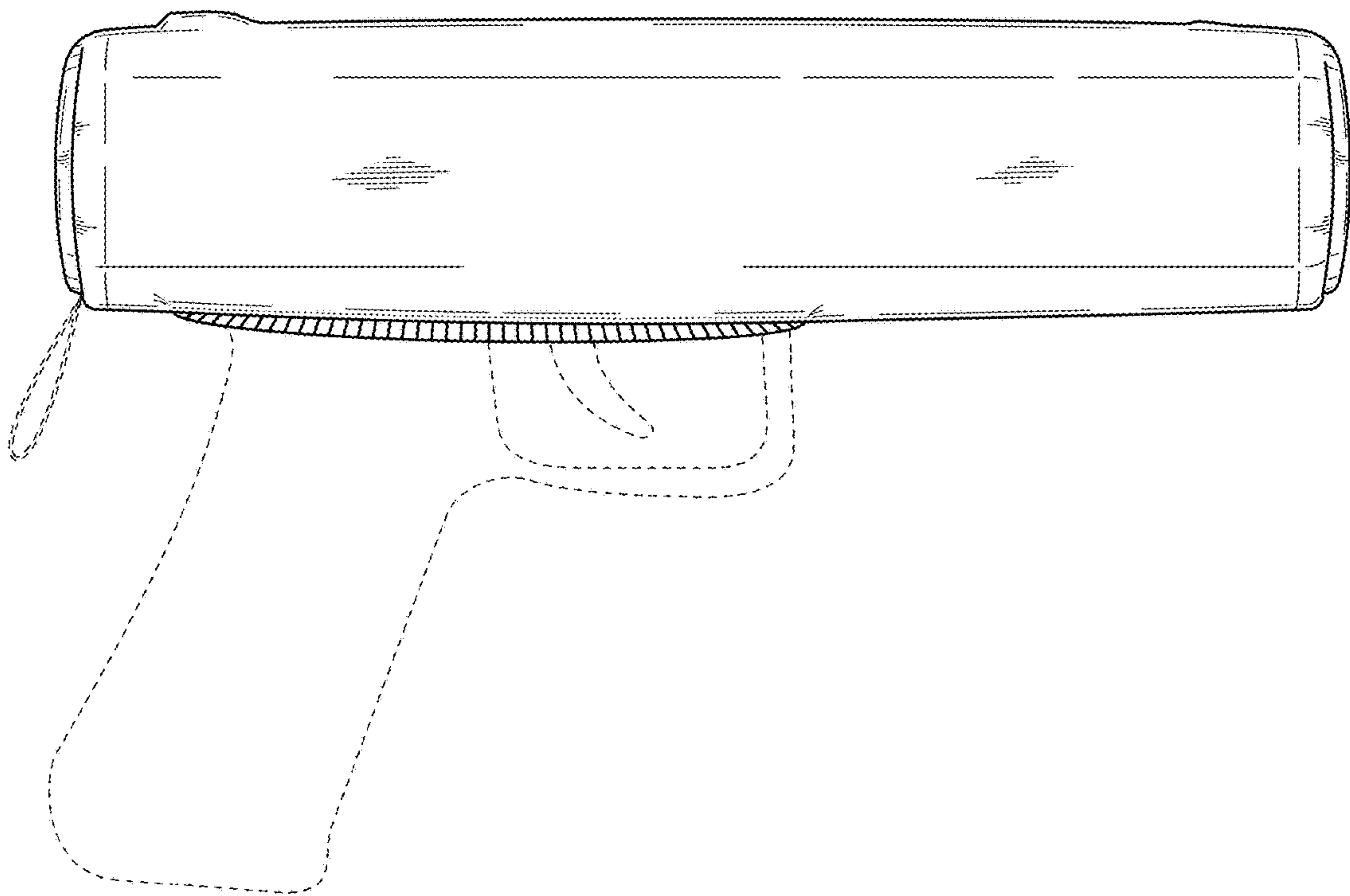


FIG. 3

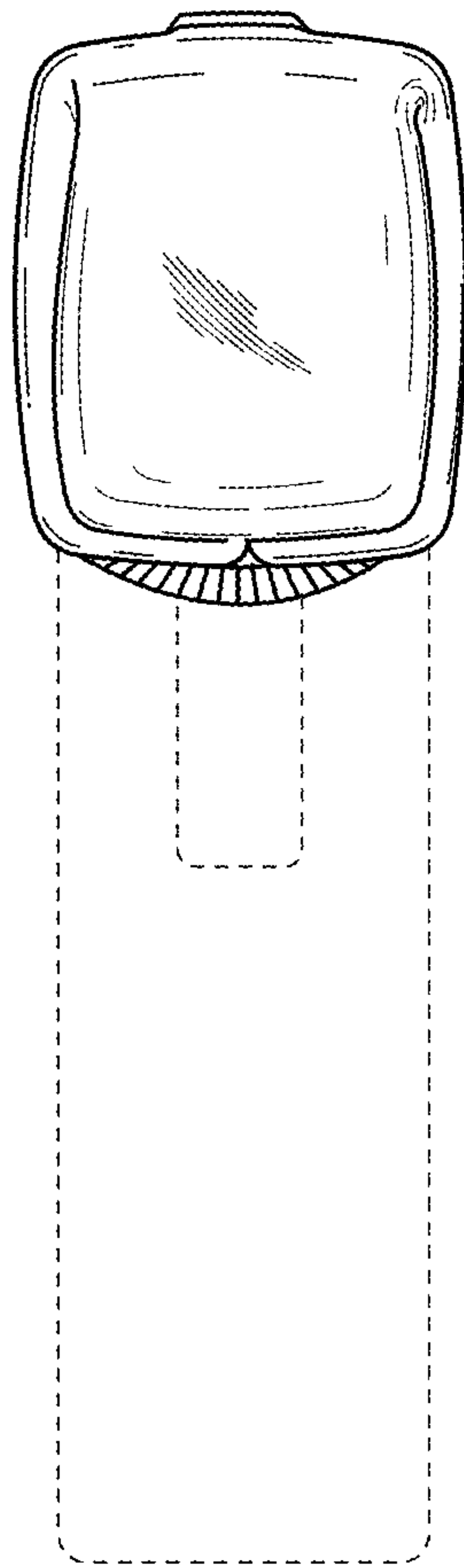


FIG. 4

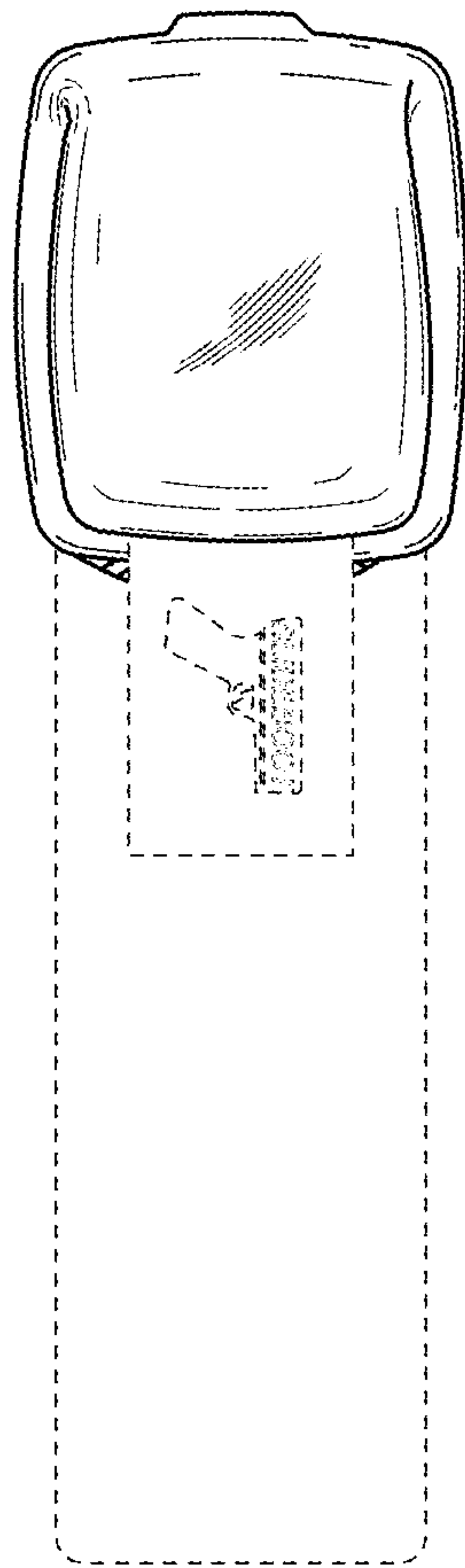


FIG. 5

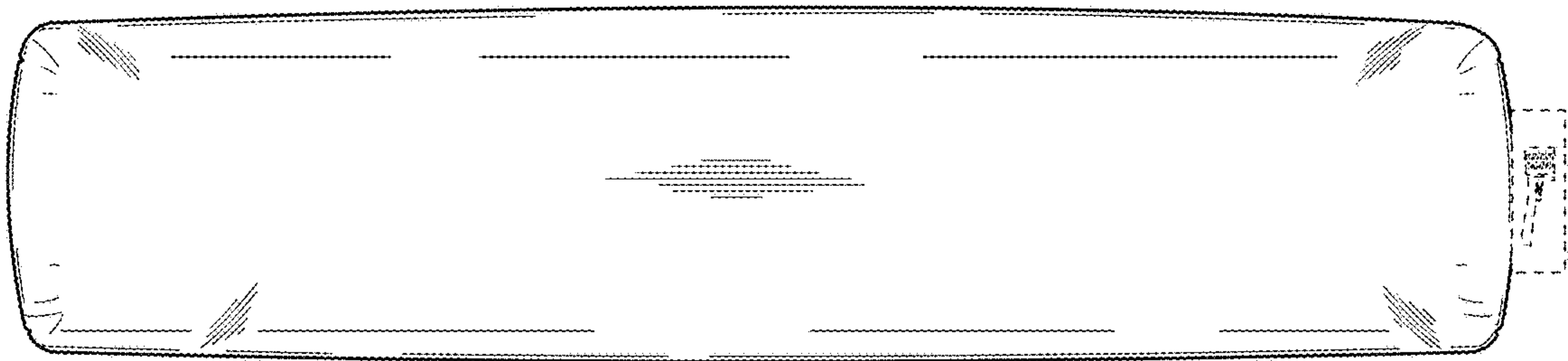


FIG. 6

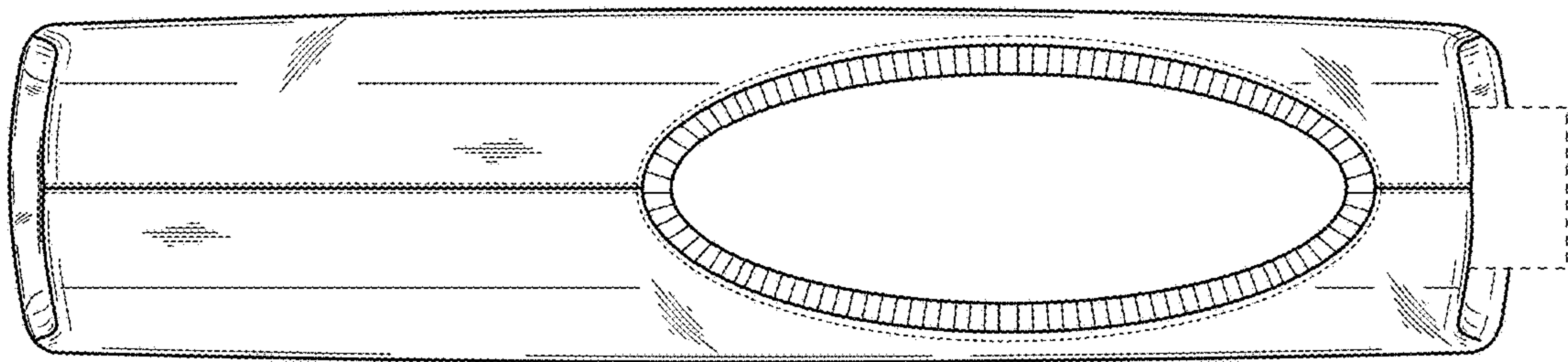


FIG. 7