



US00D777286S

(12) **United States Design Patent**
Weigand

(10) **Patent No.:** **US D777,286 S**
(45) **Date of Patent:** **** Jan. 24, 2017**

(54) **FIREARM RECOIL LUG FOR SCOPE MOUNT**

(71) Applicant: **WEIGAND COMBAT HANDGUNS, INC.**, Mountaintop, PA (US)

(72) Inventor: **John C. Weigand**, Mountaintop, PA (US)

(73) Assignee: **WEIGAND COMBAT HANDGUNS INC.**, Mountaintop, PA (US)

(**) Term: **15 Years**

(21) Appl. No.: **29/535,998**

(22) Filed: **Aug. 12, 2015**

(51) **LOC (10) Cl.** **22-01**

(52) **U.S. Cl.**
USPC **D22/108**

(58) **Field of Classification Search**
USPC D22/108-111; D8/16, 18, 19, 29, 366;
42/1.06, 85
CPC F41C 23/02; F41A 21/36
See application file for complete search history.

(56) **References Cited**

U.S. PATENT DOCUMENTS

D502,245 S *	2/2005	Fell	D22/110
D604,383 S *	11/2009	Swan	D22/108
D614,464 S *	4/2010	Wessel, IV	D8/29
D631,123 S *	1/2011	Byers	D22/108
D657,013 S *	4/2012	Swan	D22/109
D702,799 S *	4/2014	Coviello	D22/108
D717,905 S *	11/2014	Prince	D22/108
9,182,186 B1 *	11/2015	Prince	F41A 17/38
D750,190 S *	2/2016	Pittman	D22/108
D757,199 S *	5/2016	Bender	D22/108
2004/0128900 A1 *	7/2004	Chen	F41G 11/003 42/85
2008/0178511 A1 *	7/2008	Storch	F41G 11/003 42/90

(Continued)

OTHER PUBLICATIONS

Buffer Technologies HK 91/93 Recoil Buffer, posted at Mounting Solutions Plus, comment post date Jul. 23, 2013. [online], [site visited Sep. 23, 2016]. Available from Internet, <URL: http://www.mountsplus.com/AR-15_Accessories/AR-15_Scope_Rings/BUFT-HK1.html>.*

(Continued)

Primary Examiner — Kevin Rudzinski

Assistant Examiner — Kathleen Jones

(74) *Attorney, Agent, or Firm* — Rothwell, Figg, Ernst & Manbeck, P.C.

(57) **CLAIM**

The ornamental design for a firearm recoil lug for scope mount, as shown and described.

DESCRIPTION

FIG. 1 shows a top perspective view of the firearm recoil lug for scope mount;

FIG. 2 shows a bottom perspective view thereof;

FIG. 3 shows a bottom perspective view thereof, with environment shown in broken lines;

FIG. 4 shows a front elevation view thereof;

FIG. 5 shows a rear elevation view thereof;

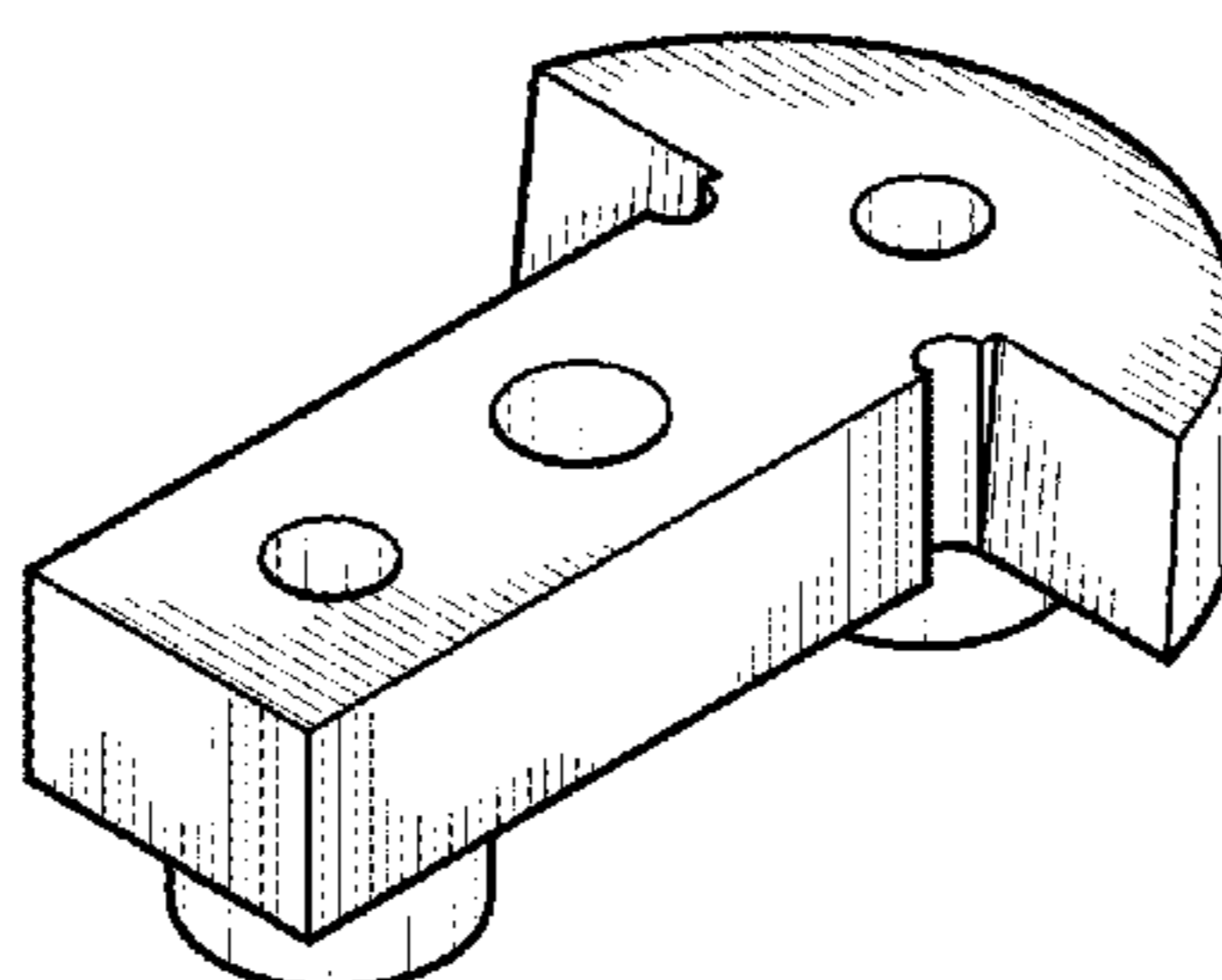
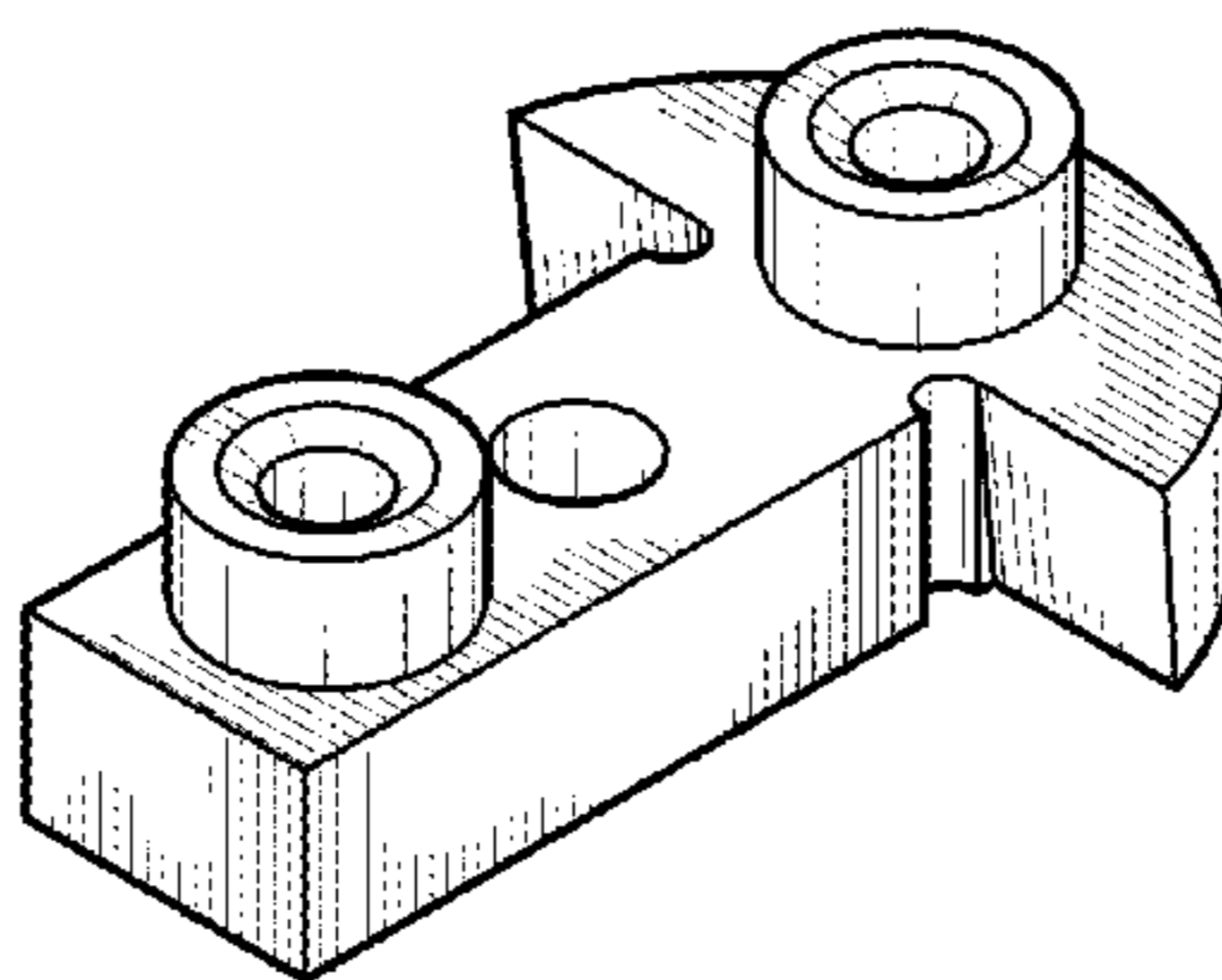
FIG. 6 shows a left side elevation view thereof, with it being understood that the right side view is mirror image hereto;

FIG. 7 shows a top plan view thereof; and,

FIG. 8 shows a bottom plan view thereof.

The broken lines shown in the drawings are for illustrating the environment for the firearm recoil lug for scope mount and form no part of the claimed design. The shading lines shown in the drawings represent the three dimensional contour of the design and are not intended to indicate surface decoration.

1 Claim, 3 Drawing Sheets



(56)

References Cited

U.S. PATENT DOCUMENTS

2011/0088304 A1* 4/2011 Lorenzut F41A 5/12
42/1.06
2012/0011758 A1* 1/2012 Burt F41C 23/02
42/85
2014/0075800 A1* 3/2014 Morris, Jr. F41A 21/36
42/1.06
2015/0040449 A1* 2/2015 Sanzo F41C 23/06
42/1.06

OTHER PUBLICATIONS

HK 91/93 buffer technologies, recoil buffer, posted at DSARMS, posting date not available. [online], [site visited Sep. 23, 2016]. Available from Internet, <URL: <https://www.dsarms.com/p-13682-hk-9193-buffer-technologies-recoil-buffer.aspx>>.*

* cited by examiner

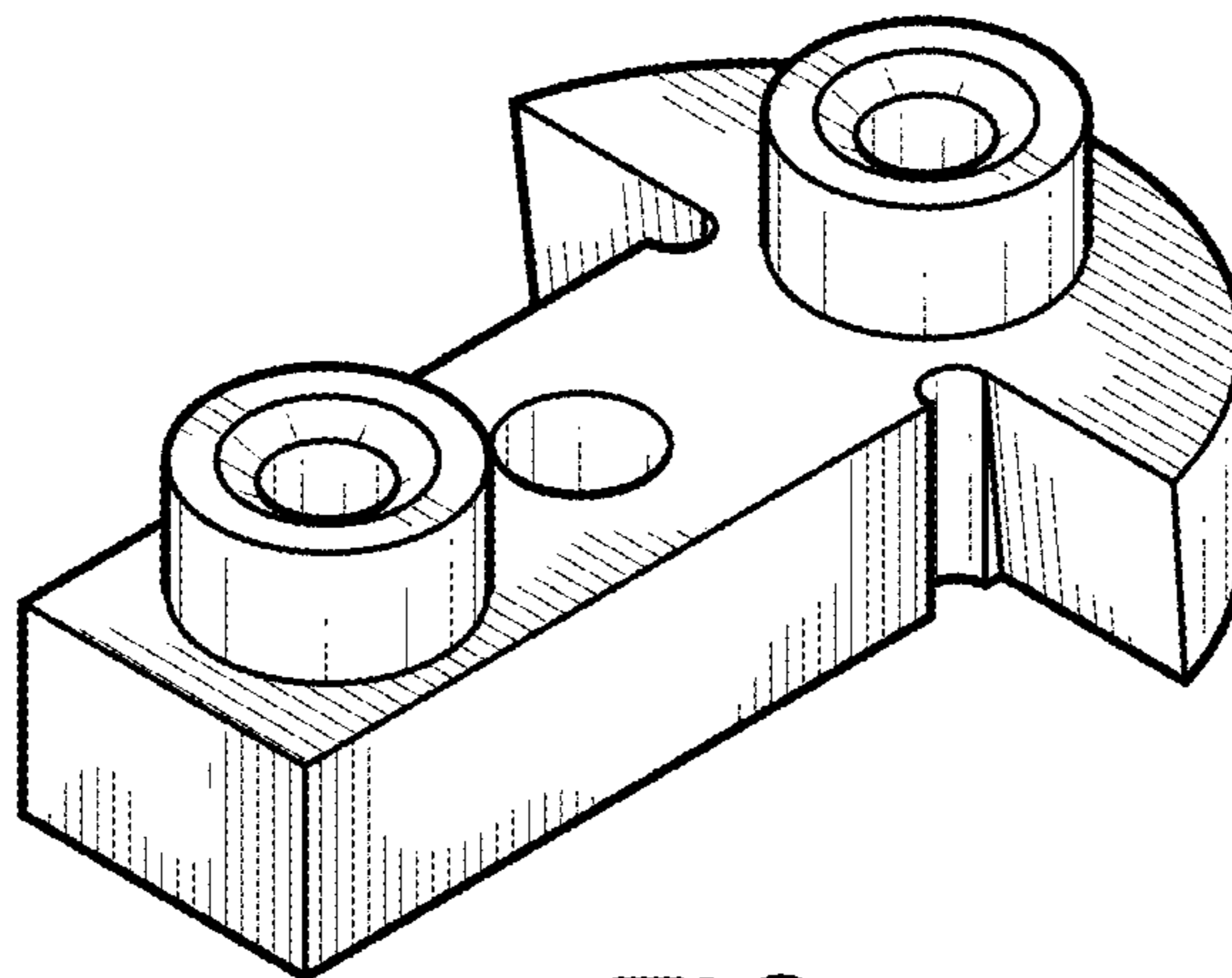


FIG. 1

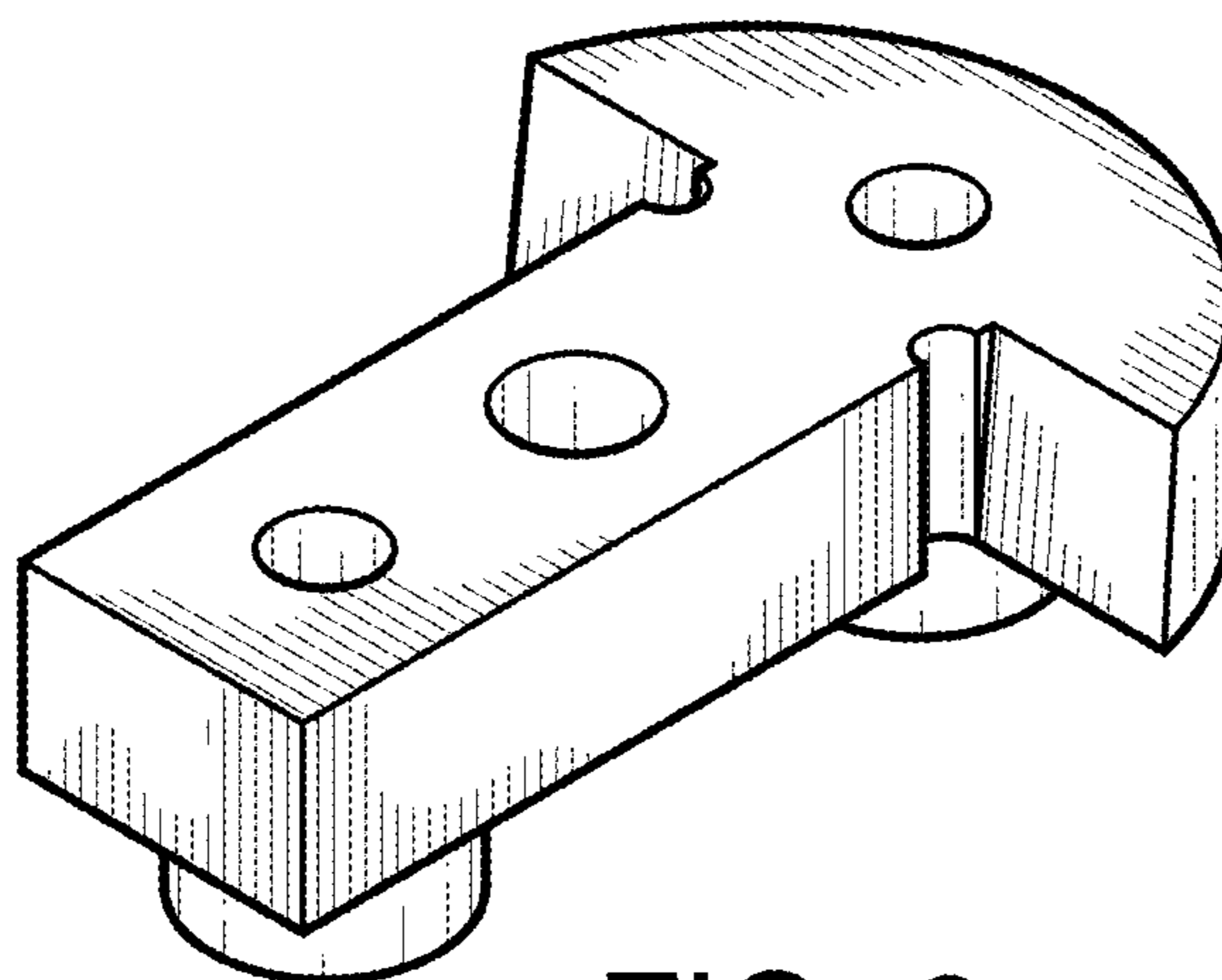


FIG. 2

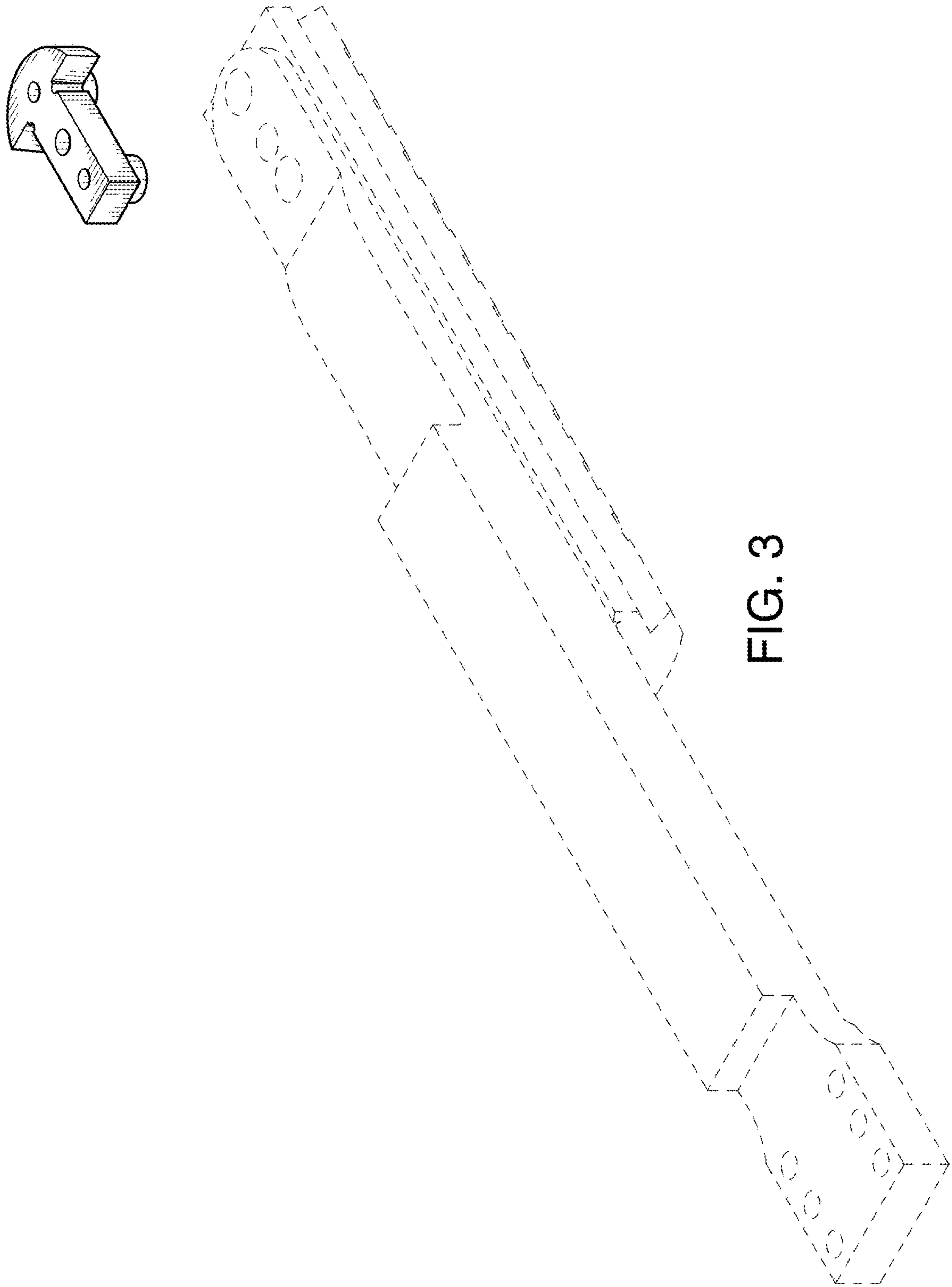


FIG. 3

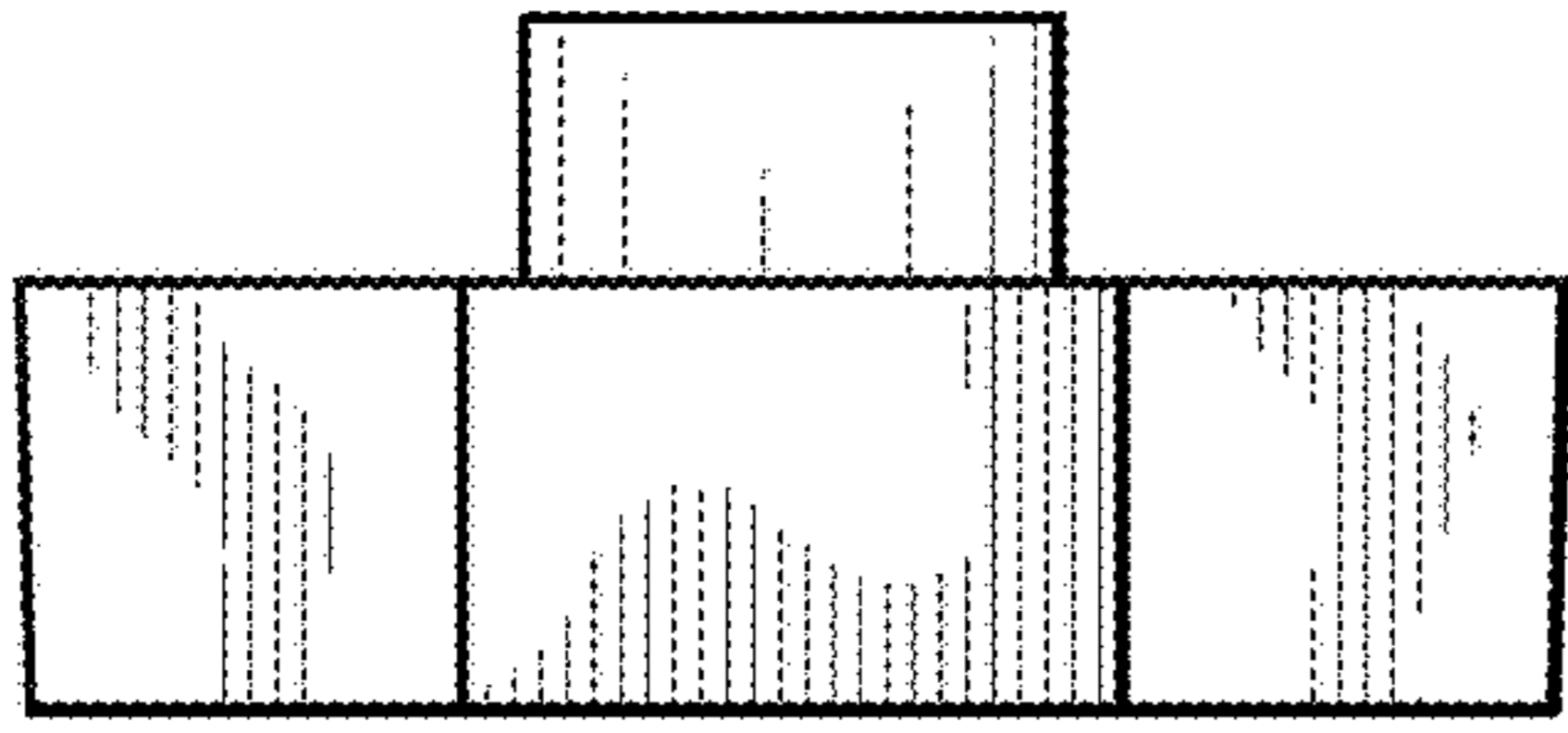


FIG. 4

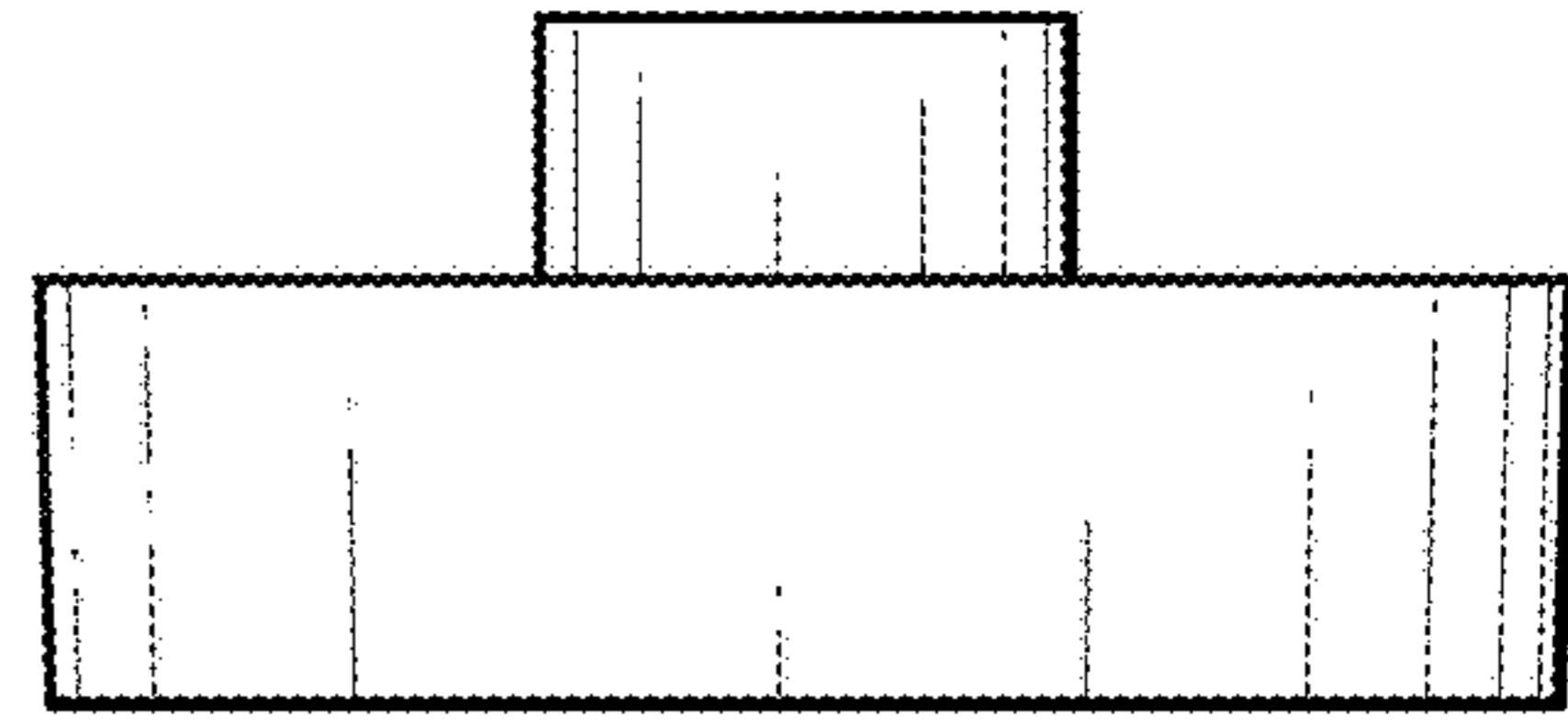


FIG. 5

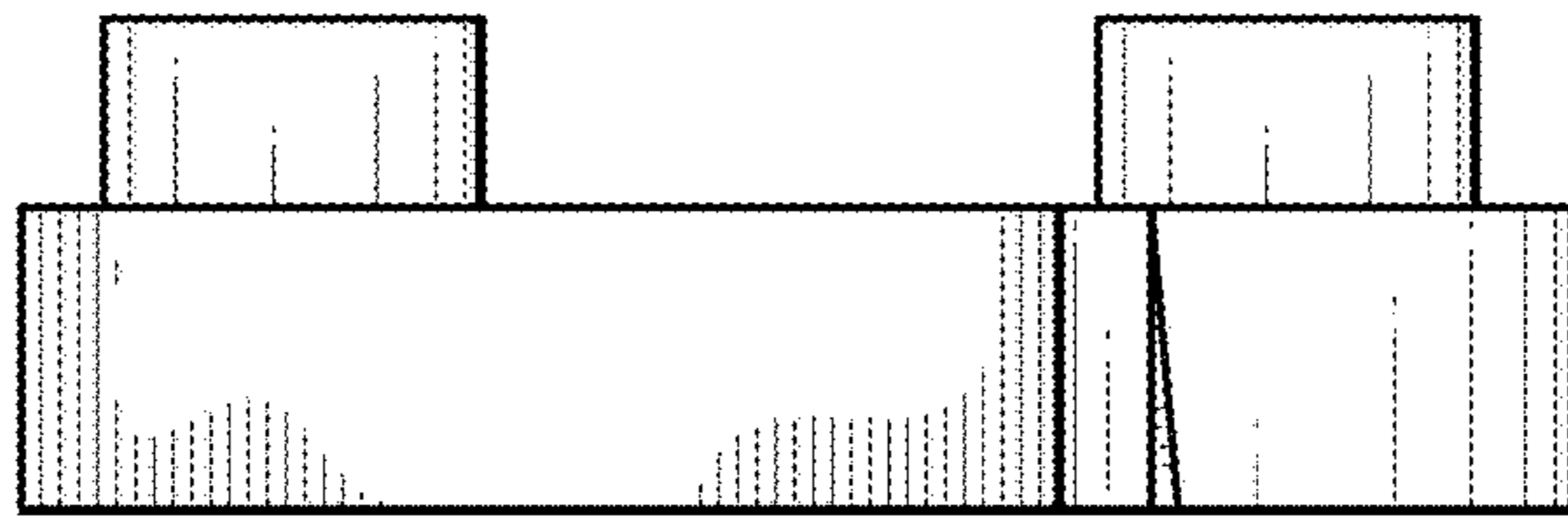


FIG. 6

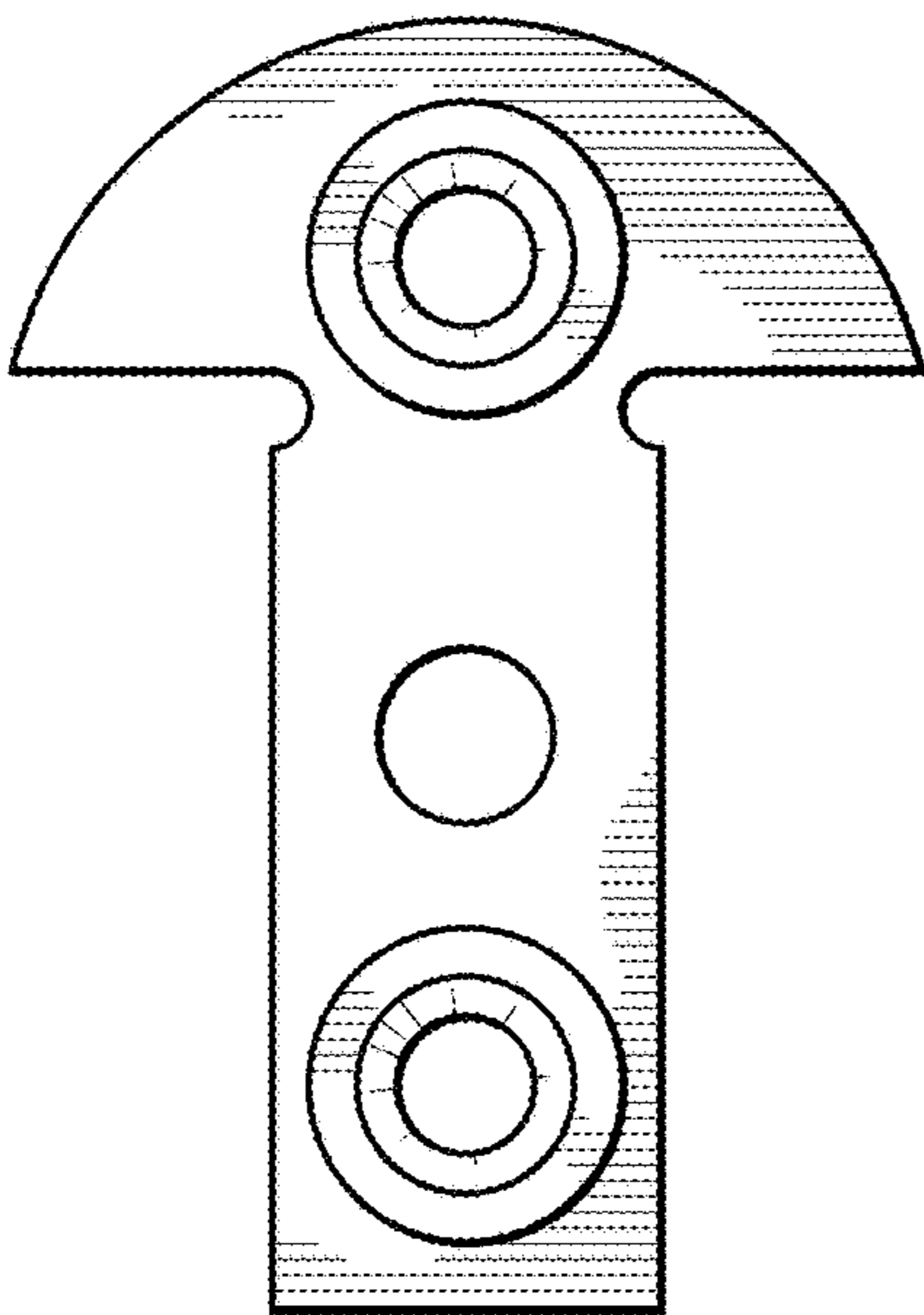


FIG. 7

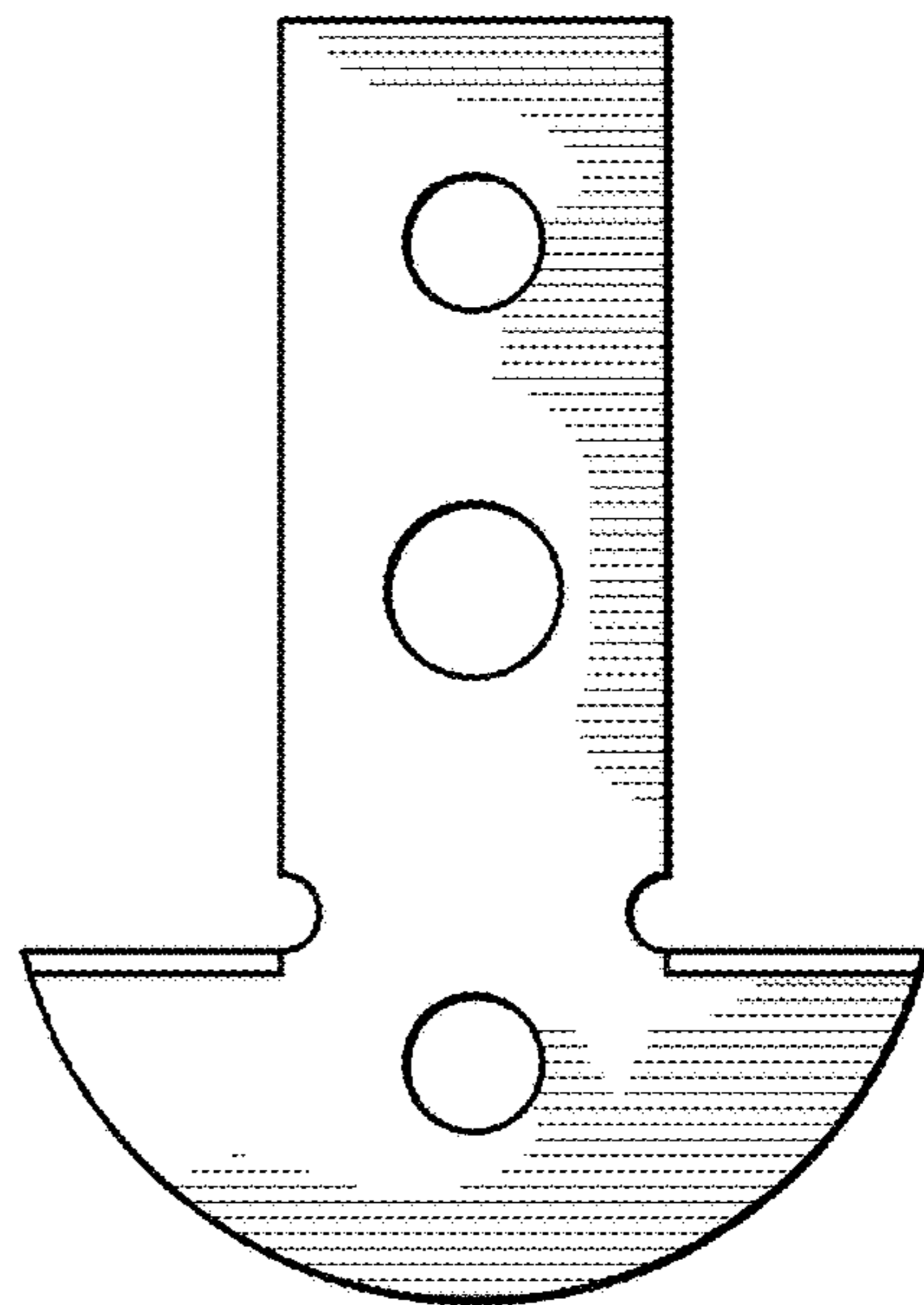


FIG. 8