



US00D777285S

(12) **United States Design Patent**  
**Bender**

(10) **Patent No.:** **US D777,285 S**

(45) **Date of Patent:** **\*\* Jan. 24, 2017**

(54) **TRIGGER**

(71) Applicant: **Terrence Dwight Bender**, Minneapolis, MN (US)

(72) Inventor: **Terrence Dwight Bender**, Minneapolis, MN (US)

(73) Assignee: **In Ovation LLC**, Vadnais Heights, MN (US)

(\*\*) Term: **14 Years**

(21) Appl. No.: **29/525,277**

(22) Filed: **Apr. 28, 2015**

(51) **LOC (10) Cl.** ..... **22-01**

(52) **U.S. Cl.**  
USPC ..... **D22/108**

(58) **Field of Classification Search**  
USPC ..... D22/103, 108; D21/572; D8/68  
CPC ..... F41A 19/10; F41A 17/46; F41A 35/00;  
F41A 19/09; F41A 19/11; F41A  
19/21; F41C 27/00

See application file for complete search history.

(56) **References Cited**

**U.S. PATENT DOCUMENTS**

4,310,981	A	1/1982	Waddell	
5,463,829	A	11/1995	Sprangers	
5,881,485	A	3/1999	Milazzo	
5,904,132	A	5/1999	Biller	
6,131,324	A	10/2000	Jewell	
6,615,527	B1	9/2003	Martin	
6,722,072	B1	4/2004	McCormick	
D504,168	S *	4/2005	McCormick	..... D22/108
7,162,824	B1	1/2007	McCormick	
7,188,561	B1	3/2007	Kelbly	
7,293,385	B2	11/2007	McCormick	

7,331,136	B2	2/2008	Geissele	
7,421,937	B1	9/2008	Gangl	
7,600,338	B2	10/2009	Geissele	
7,661,220	B2	2/2010	Crandall et al.	
7,854,084	B1	12/2010	Rutherford	
D659,790	S *	5/2012	Geissele	..... D22/108
8,572,880	B2	11/2013	Bender	
8,667,881	B1	3/2014	Hawbaker	
D716,404	S *	10/2014	Capps	..... D22/108
D750,725	S *	3/2016	Capps	..... D22/108
D755,339	S *	5/2016	Geissele	..... D22/108
D757,199	S *	5/2016	Bender	..... D22/108

(Continued)

**OTHER PUBLICATIONS**

Zediker, Glenn, AR15 Triggers, Zediker Publishing, 2007, pp. 1-3.  
(Continued)

*Primary Examiner* — Michael A Pratt

(74) *Attorney, Agent, or Firm* — Vidas, Arrett & Steinkraus

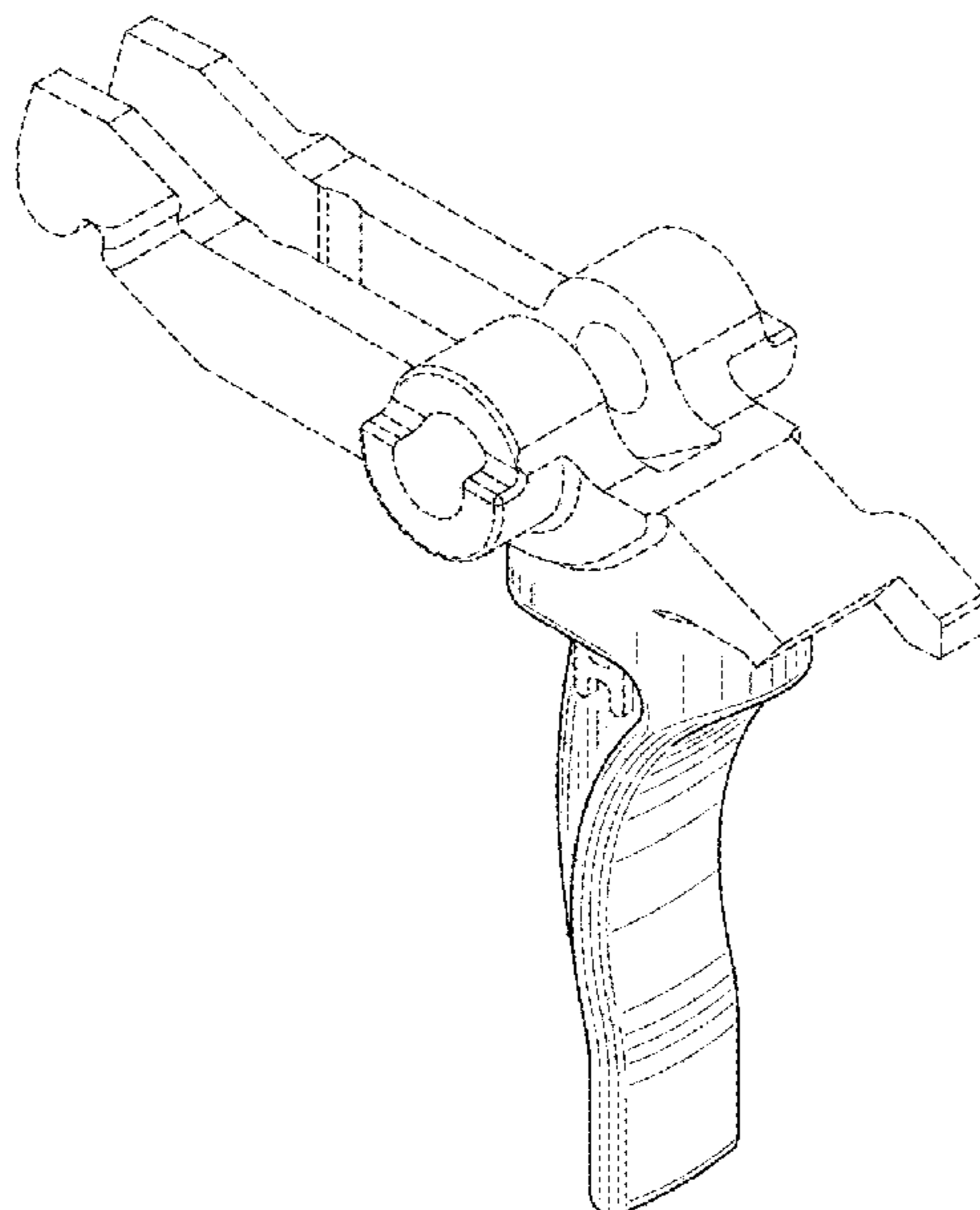
(57) **CLAIM**

The ornamental design for a trigger, as shown and described.

**DESCRIPTION**

FIG. 1 is a front angled isometric view of the trigger.  
FIG. 2 is a rear angled isometric view of the trigger.  
FIG. 3 is a right side view of the trigger.  
FIG. 4 is a left side view of the trigger.  
FIG. 5 is a back view of the trigger.  
FIG. 6 is a front view of the trigger.  
FIG. 7 is a top view of the trigger; and,  
FIG. 8 is a bottom view of the trigger.  
Broken lines in the Figures show boundaries or environmental structure. The broken lines are not part of the claimed design.

**1 Claim, 5 Drawing Sheets**



(56)

**References Cited**

U.S. PATENT DOCUMENTS

D764,004 S \* 8/2016 Bender ..... D22/108  
2006/0101695 A1 5/2006 Longueira  
2008/0010889 A1 1/2008 Metzger et al.  
2009/0183414 A1 7/2009 Geissele  
2010/0281739 A1 11/2010 Geissele  
2014/0075812 A1 3/2014 Johnson  
2016/0131448 A1 \* 5/2016 Bender ..... F41A 19/10  
42/69.01

OTHER PUBLICATIONS

<http://www.snipershide.com/forum/ubbthreads.php?ubb=showthreaded&Number=501733>, Jan. 26, 2012.  
<http://www.compasslake.com/trigger.htm>, Jan. 26, 2012.  
[http://www.jprifiles.com/1.4.8.1\\_ezt.php](http://www.jprifiles.com/1.4.8.1_ezt.php), Jan. 26, 2012.  
<http://cmmginc.secure-mall.com/item/CMMG-Two-Stage-Trigger-1504>, Jan. 26, 2012.  
<http://shopwilsoncombat.com/Tactical-Trigger-Unit-Single-Stage-Semi-Auto/productinfo/TR-TTU/?gclid=CP6b79SY8aYCFYQKgodTRRBBg>, Jan. 26, 2012.  
<http://geissele.com/index.aspx>, Jan. 26, 2012.  
<http://www.midwayusa.com/product/709049/jewell-trigger-assembly-ar-15-small-pin-154-two-stage-matte>, Jan. 26, 2012.  
[http://www.jardinc.com/index.php?option=com\\_content&view=article&id=12:ar-le&catid=18:ar-15-single-stage&Itemid=6](http://www.jardinc.com/index.php?option=com_content&view=article&id=12:ar-le&catid=18:ar-15-single-stage&Itemid=6), Jan. 26, 2012.  
Schematic drawing, Gun Assy, BFG-50A, Serbu Firearms, Inc., Apr. 25, 2011, p. 1.

\* cited by examiner

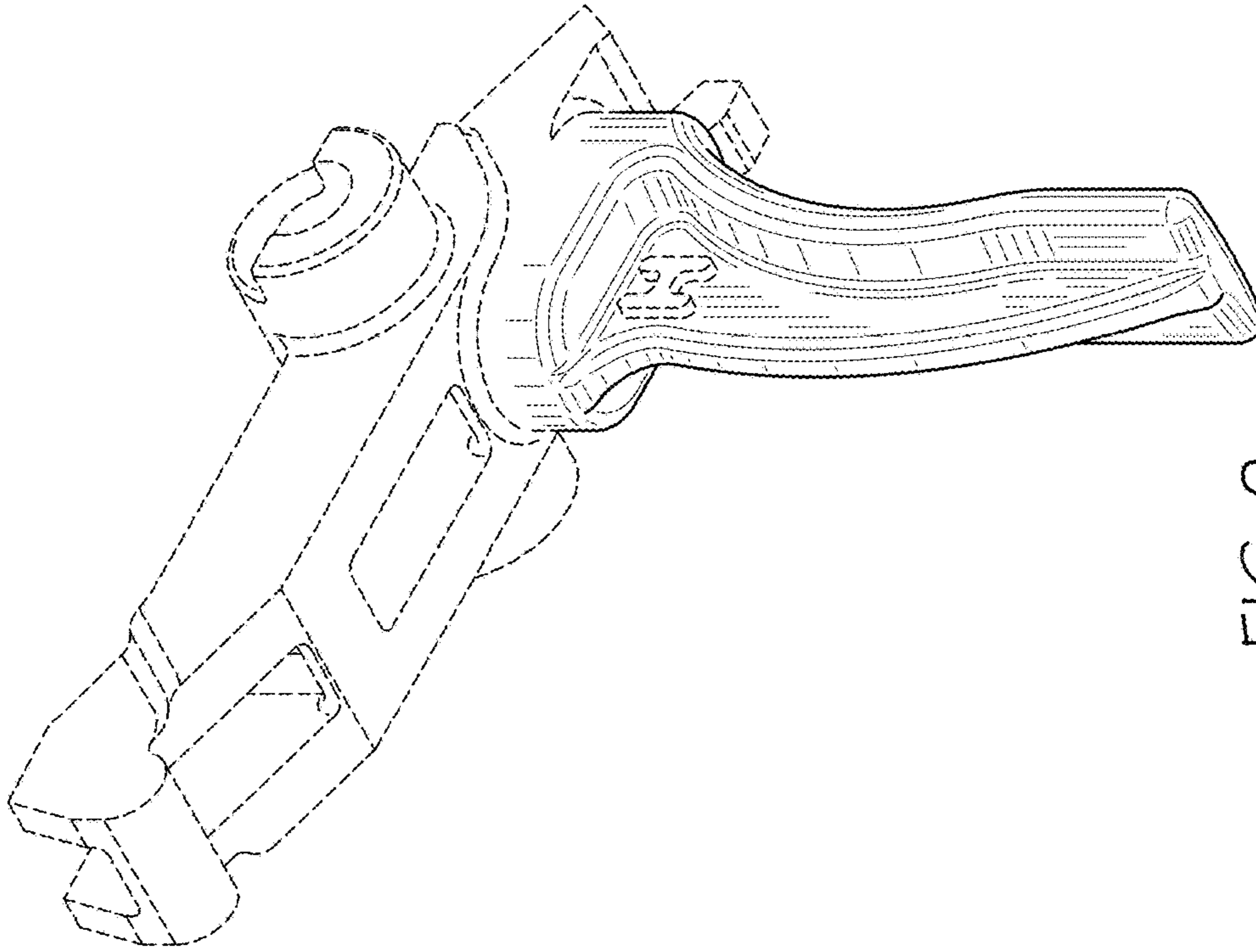


FIG. 2

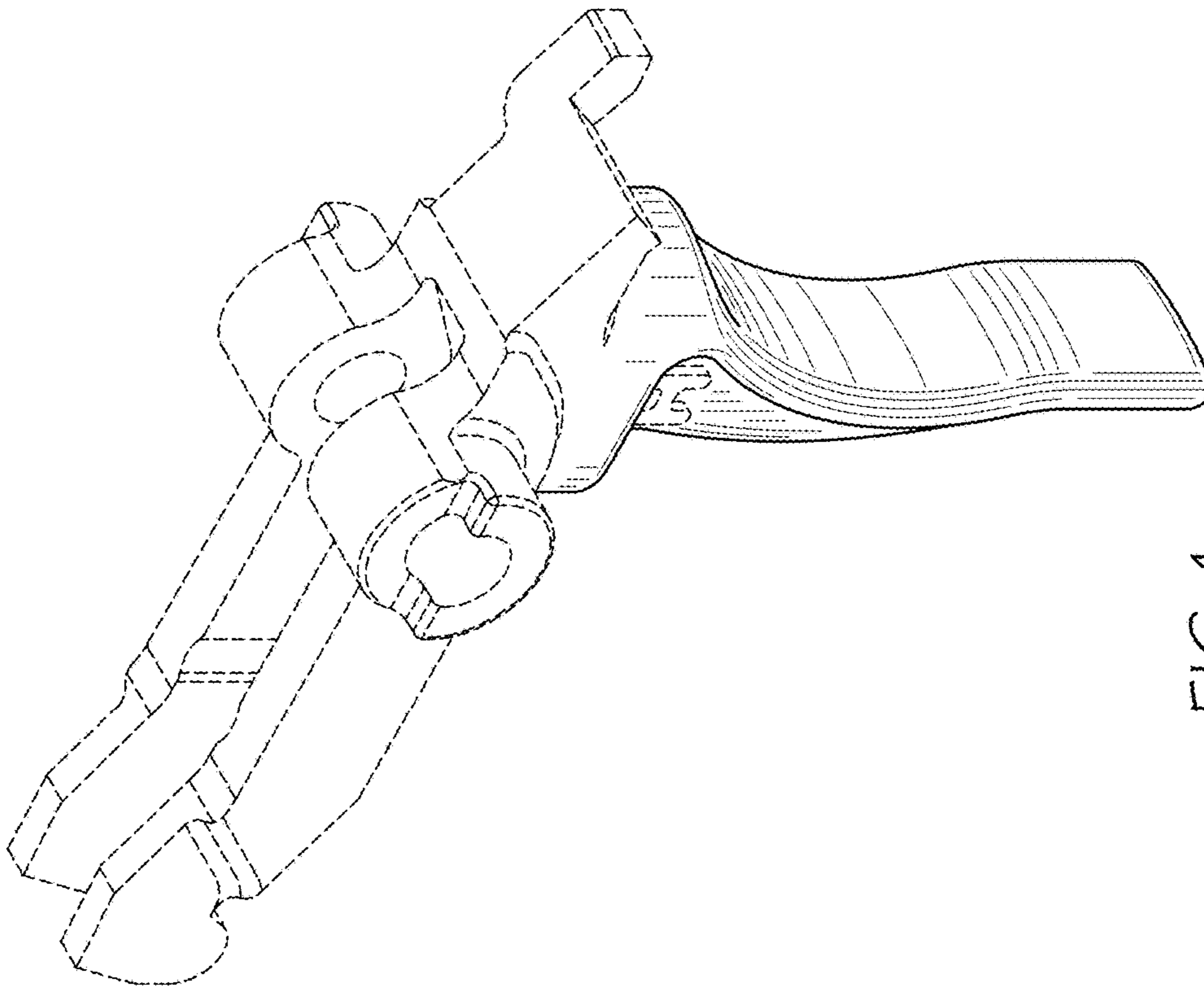


FIG. 1

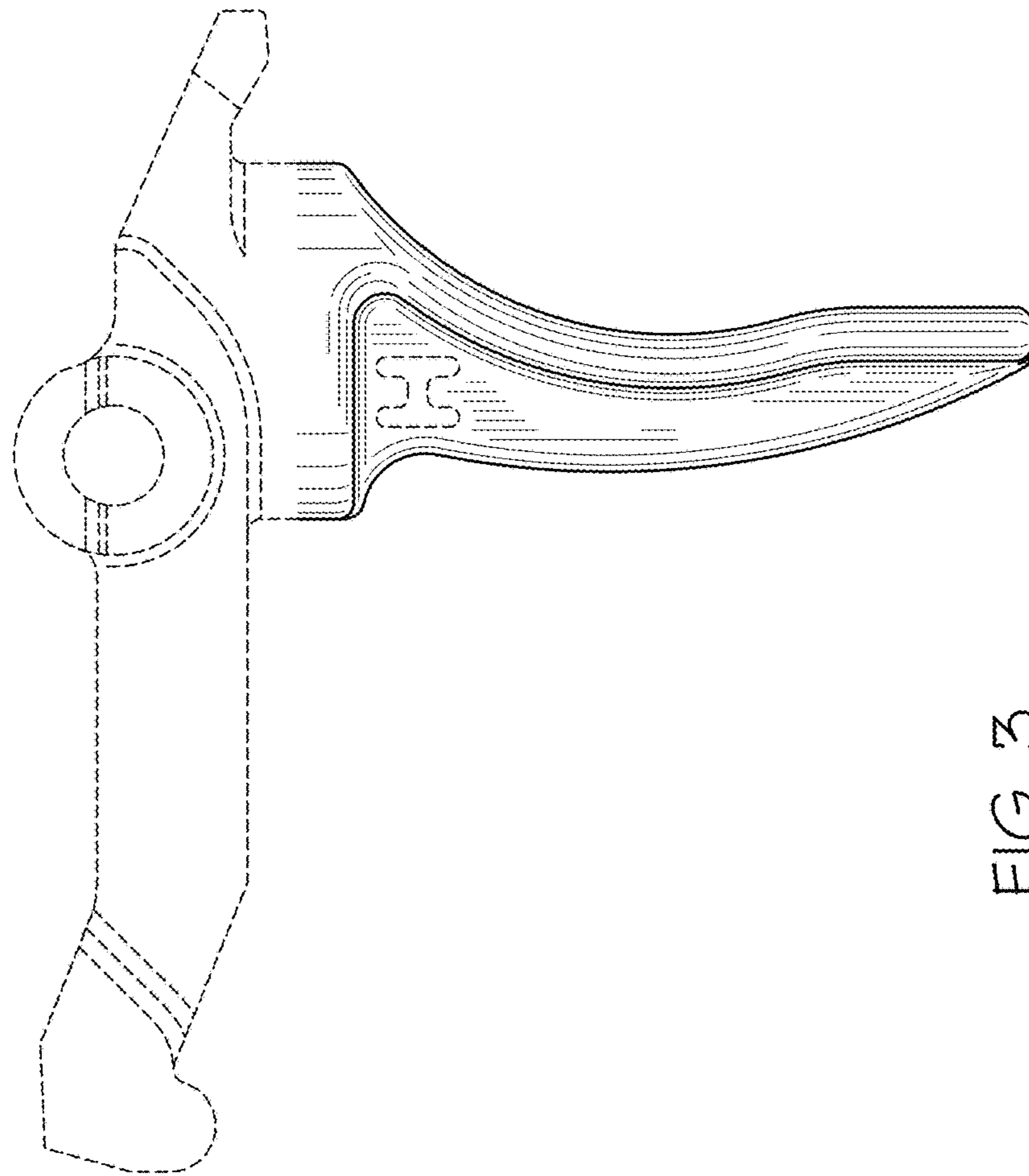


FIG. 3

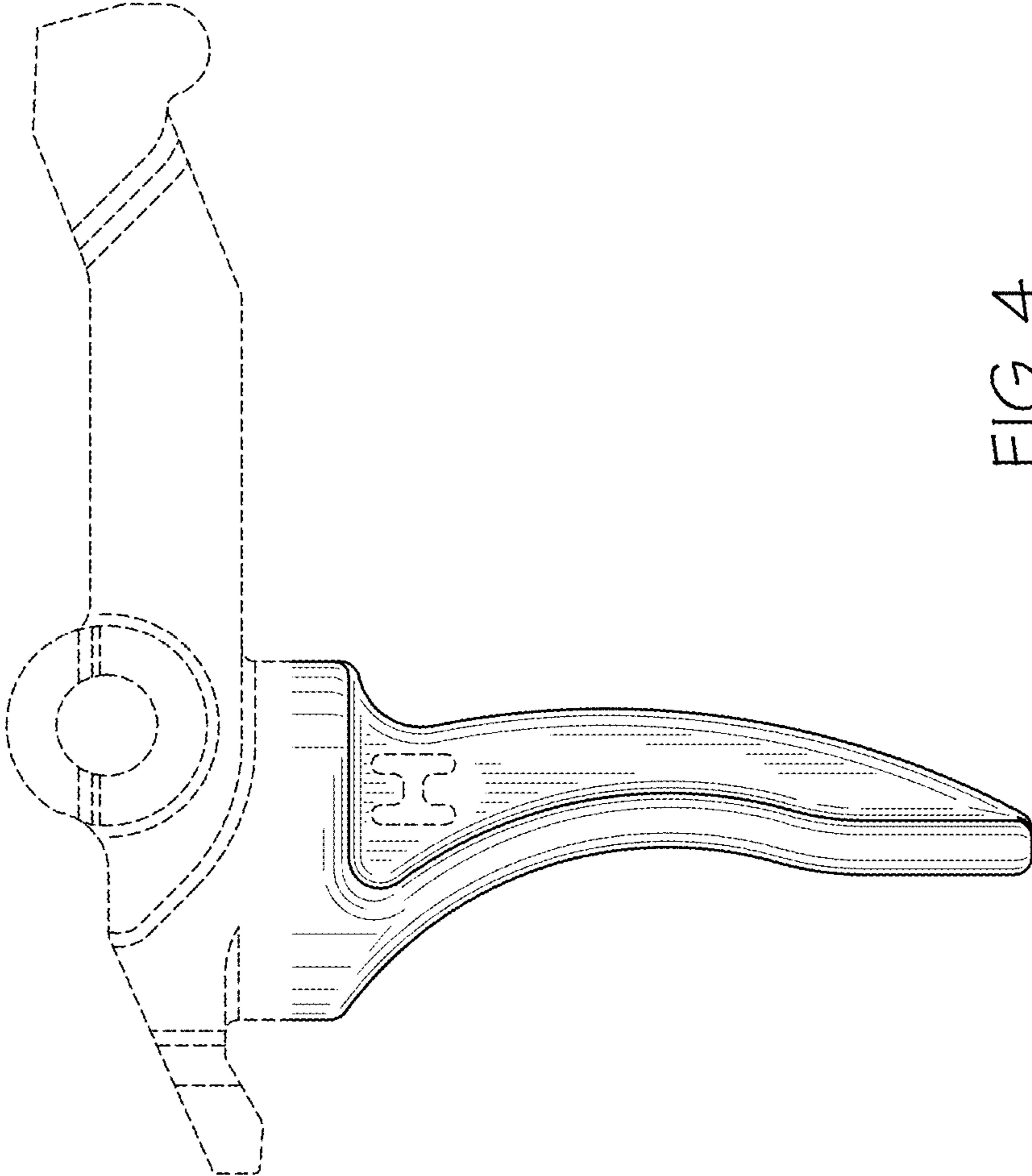


FIG. 4

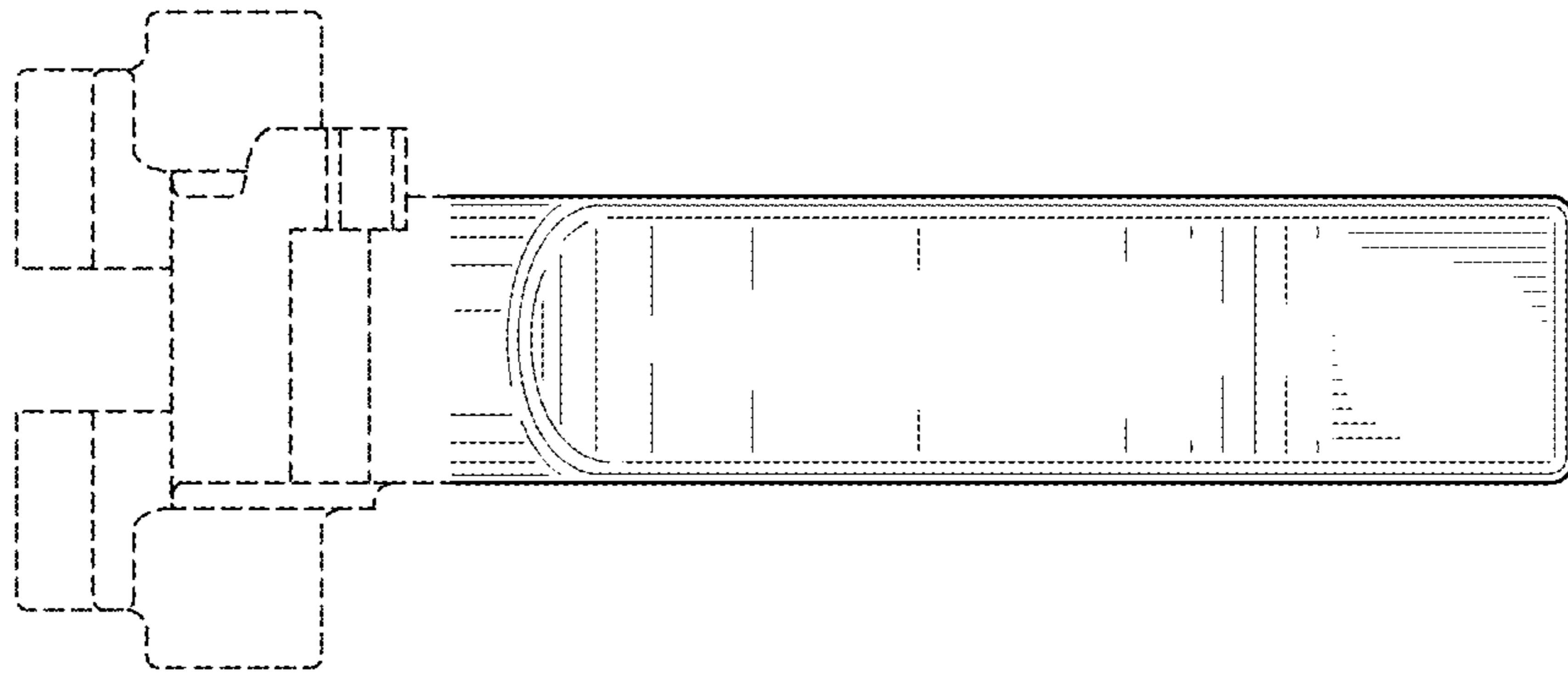


FIG. 6

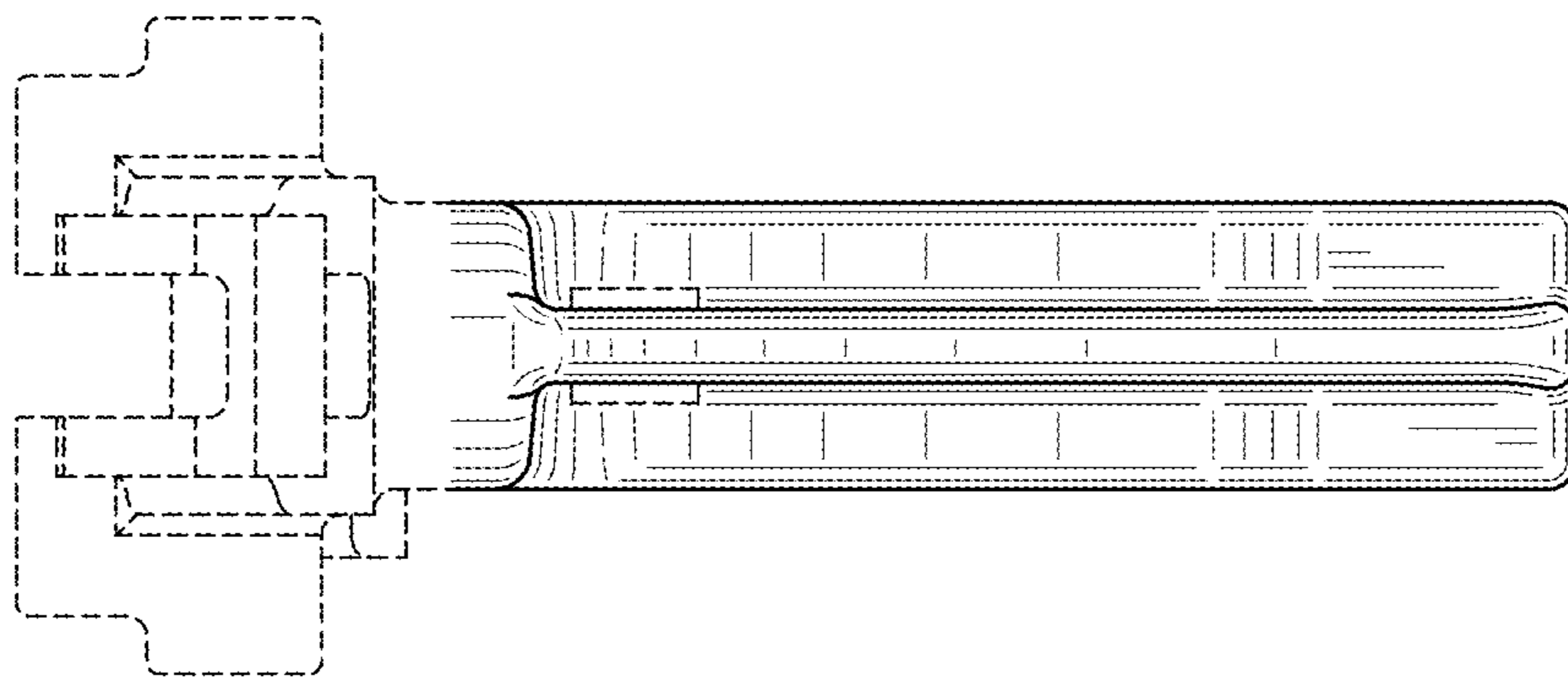


FIG. 5

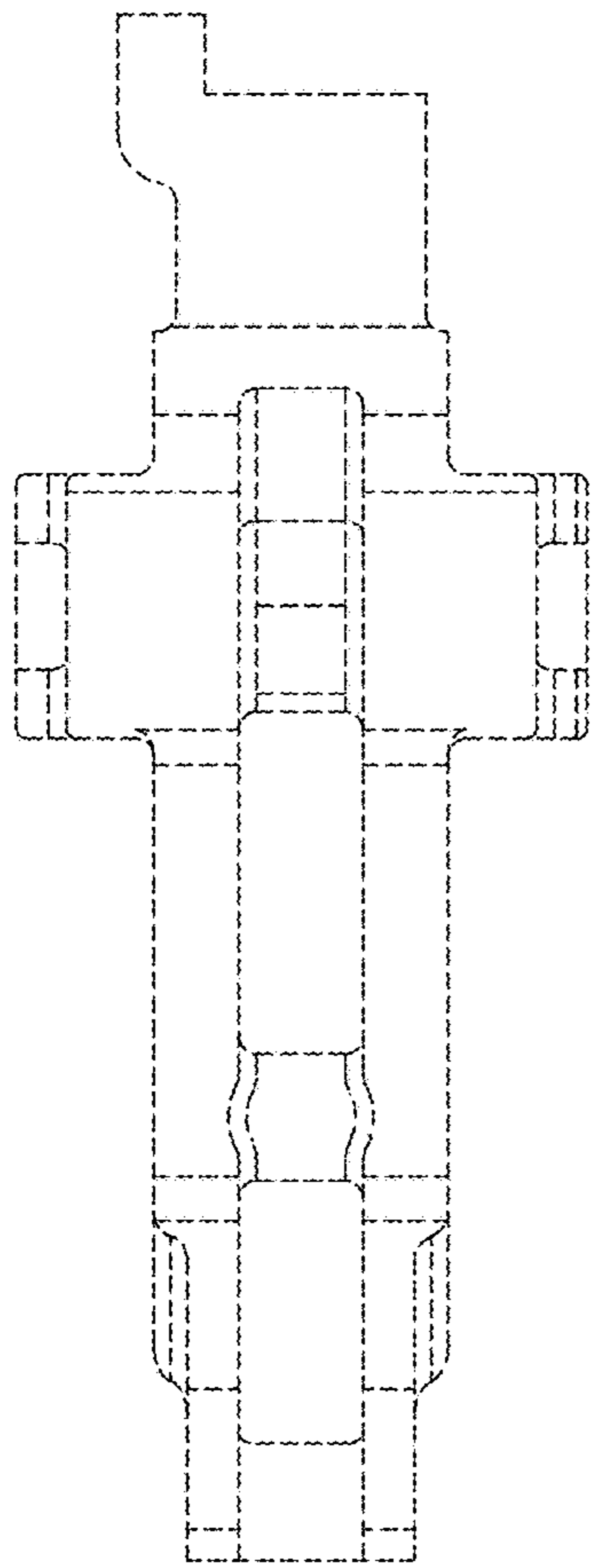


FIG. 7

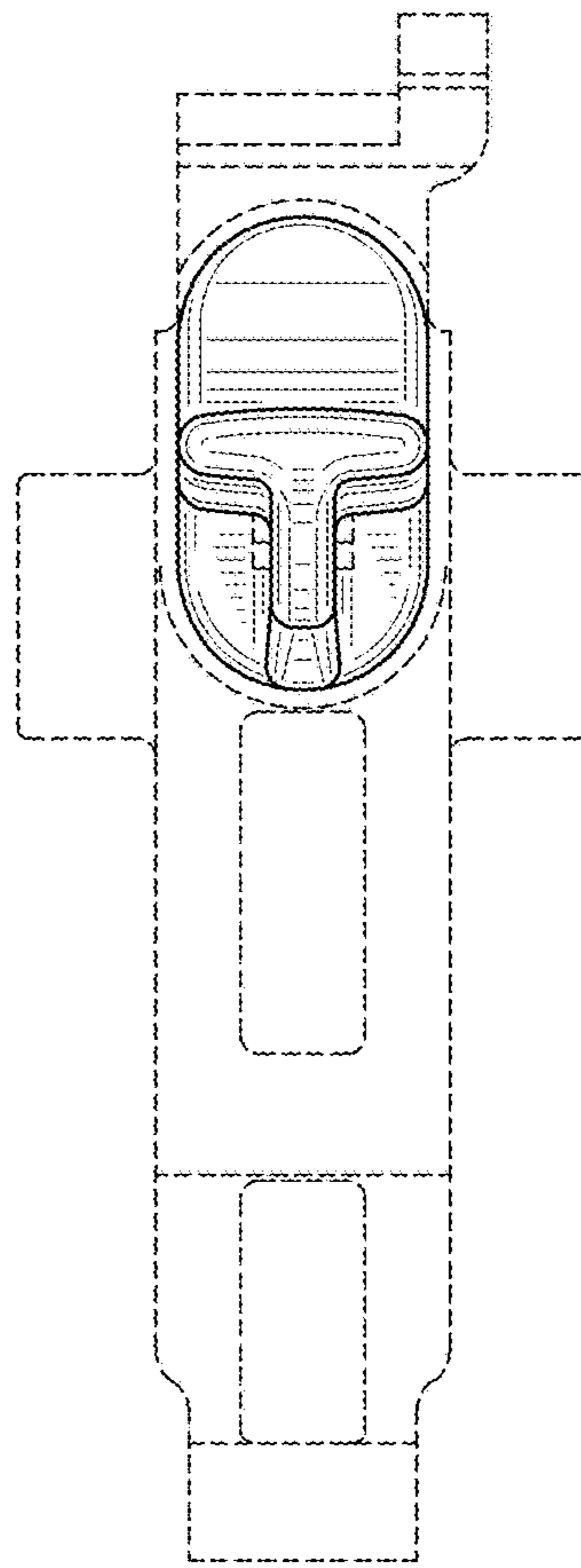


FIG. 8