



US00D777283S

(12) **United States Design Patent**
Anderson et al.

(10) **Patent No.:** **US D777,283 S**
(45) **Date of Patent:** **** Jan. 24, 2017**

- (54) **PISTOL**
- (71) Applicant: **Sturm, Ruger & Company, Inc.**,
Southport, CT (US)
- (72) Inventors: **David Anderson**, Prescott Valley, AZ
(US); **Amir Zonshine**, Phoenix, AZ
(US)
- (73) Assignee: **STURM, RUGER & COMPANY,**
INC.
- (**) Term: **14 Years**
- (21) Appl. No.: **29/526,547**
- (22) Filed: **May 11, 2015**
- (51) **LOC (10) Cl.** **22-01**
- (52) **U.S. Cl.**
USPC **D22/104**
- (58) **Field of Classification Search**
USPC D22/104, 108; D21/572-575
CPC F41C 3/14; F41C 3/16; F41C 3/04
See application file for complete search history.

(56) **References Cited**

U.S. PATENT DOCUMENTS

- D300,057 S * 2/1989 Ruger D22/108
- 6,345,463 B1 * 2/2002 Baer, Sr. F41C 27/22
42/7
- D511,364 S * 11/2005 McGarry D22/104
- D516,662 S * 3/2006 McGarry D22/104
- 7,047,686 B2 * 5/2006 Zimmermann F41A 5/04
42/106
- 7,703,232 B1 * 4/2010 Johns F41A 21/00
42/108

- 8,312,658 B2 * 11/2012 Lippard F41A 17/56
42/69.03
- 8,418,391 B2 * 4/2013 Kemmerer F41A 17/066
42/70.05
- 8,584,390 B1 * 11/2013 Fraher F41C 23/10
42/71.02
- 2013/0019510 A1 * 1/2013 Kemmerer F41A 17/20
42/1.01
- 2013/0125441 A1 * 5/2013 Westwood F41A 17/02
42/70.05
- 2013/0139425 A1 * 6/2013 Shepard, Jr. F41C 23/22
42/71.01
- 2013/0333262 A1 * 12/2013 McClave F41A 17/42
42/70.05

* cited by examiner

Primary Examiner — Michael A Pratt

(74) *Attorney, Agent, or Firm* — The Belles Group, P.C.

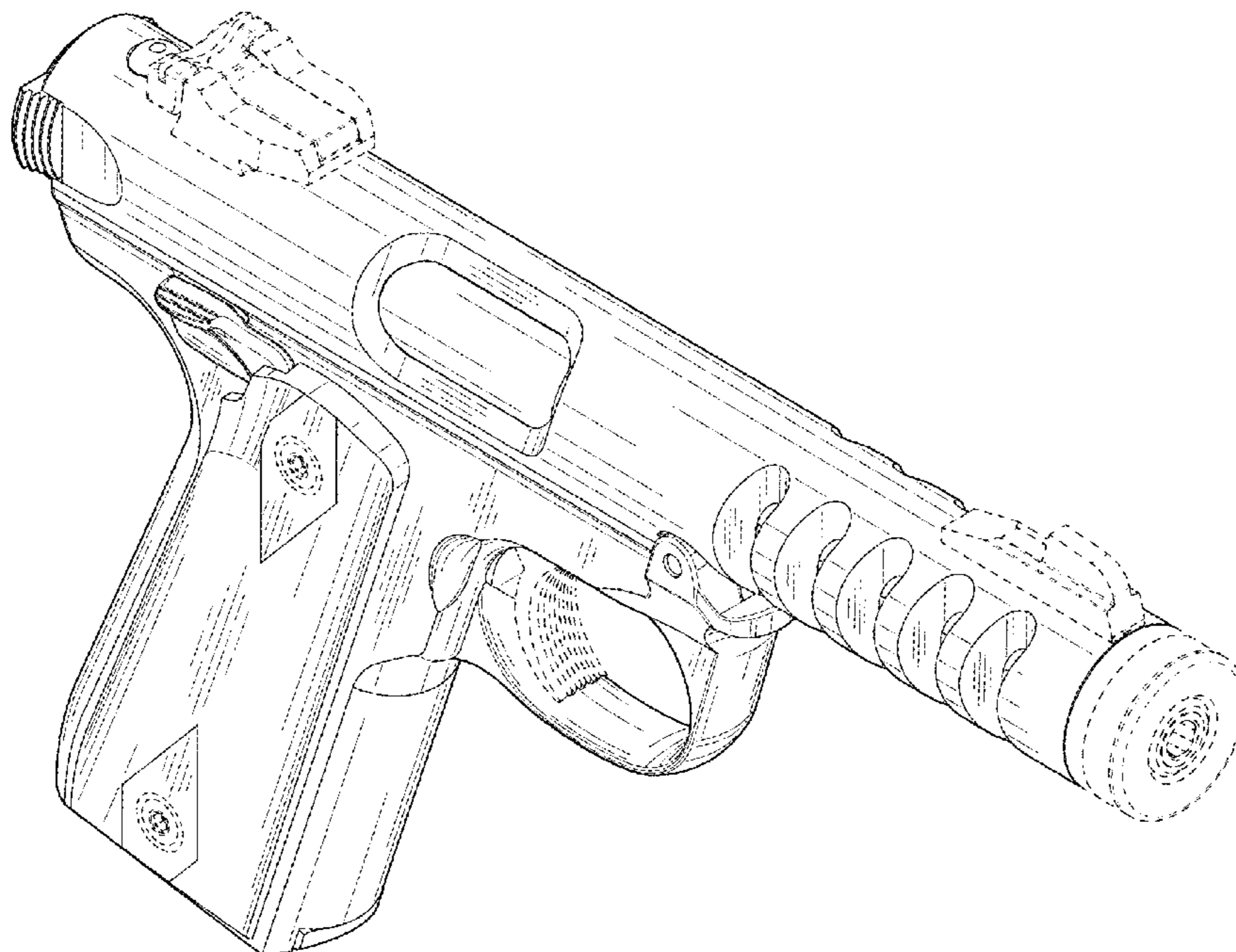
(57) **CLAIM**

The ornamental design for a pistol, as shown and described.

DESCRIPTION

FIG. 1 is a right front perspective view of a pistol according to the new design;
 FIG. 2 is a left front perspective view thereof;
 FIG. 3 is a right rear perspective view thereof;
 FIG. 4 is a left rear perspective view thereof;
 FIG. 5 is a front elevation view thereof;
 FIG. 6 is a rear elevation view thereof;
 FIG. 7 is a left side elevation view thereof;
 FIG. 8 is a right side elevation view thereof;
 FIG. 9 is a top plan view thereof; and,
 FIG. 10 is a bottom plan view thereof.
 All broken lines shown in the drawings are for illustrative purposes only and form no part of the claimed design.

1 Claim, 8 Drawing Sheets



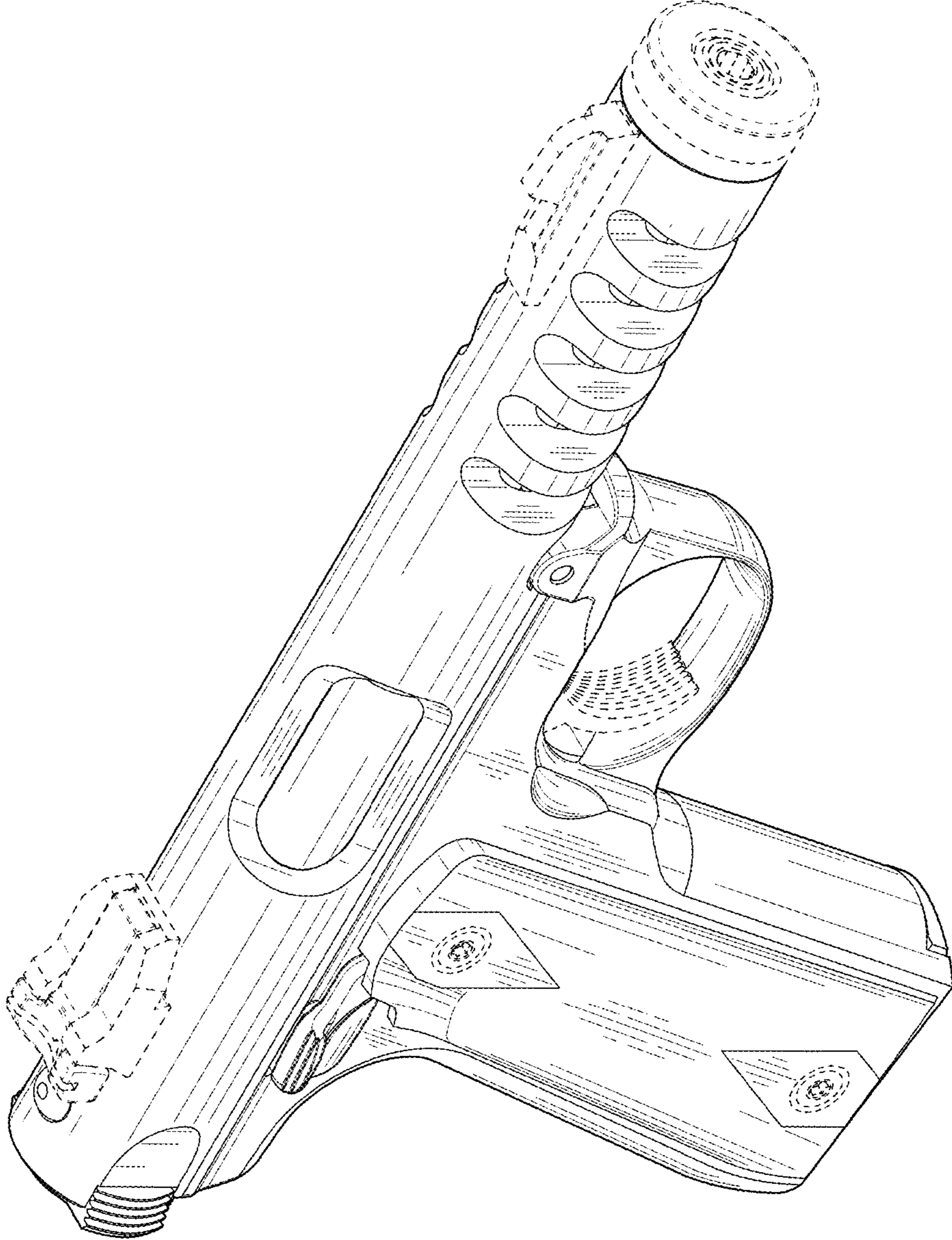


FIG. 1

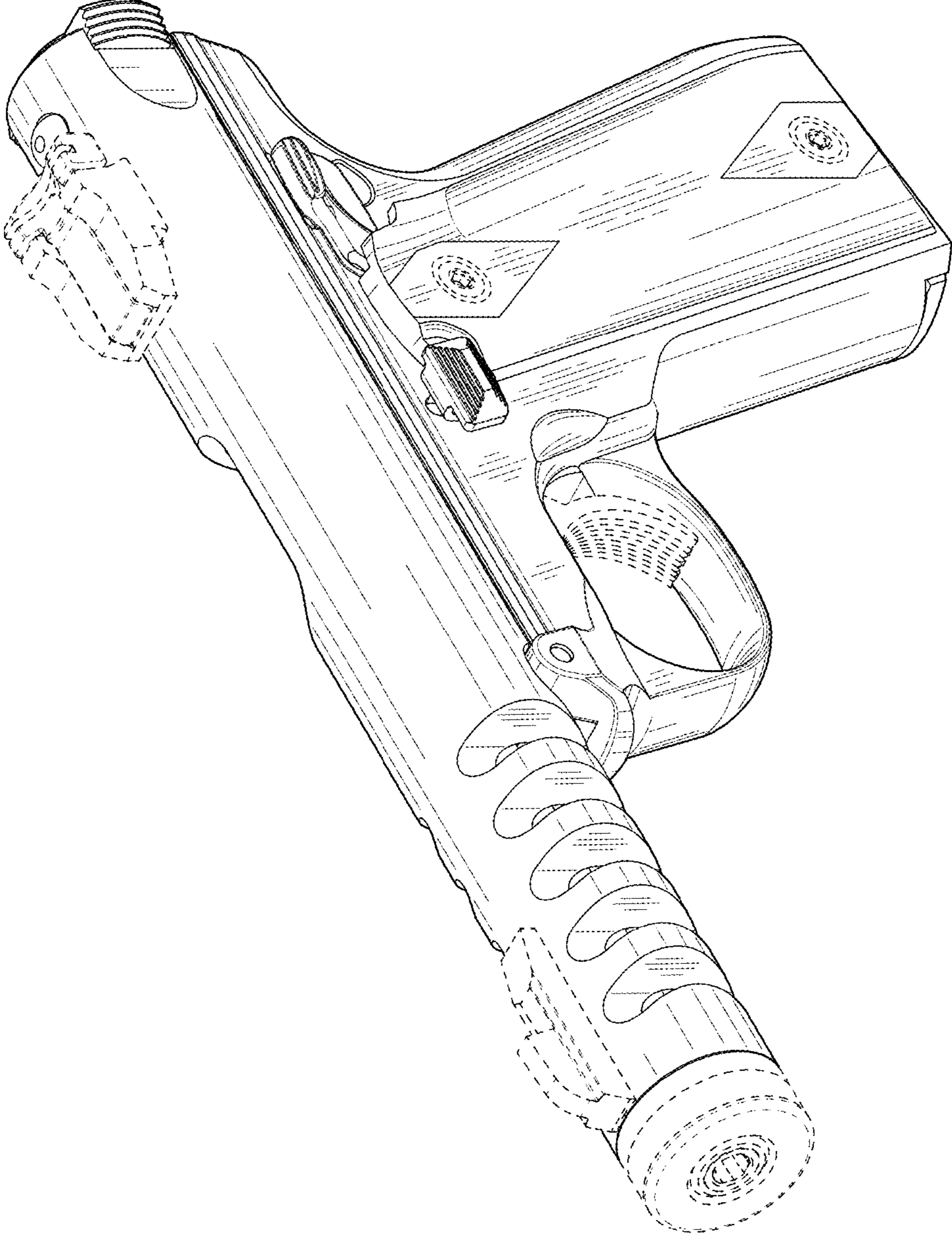


FIG. 2

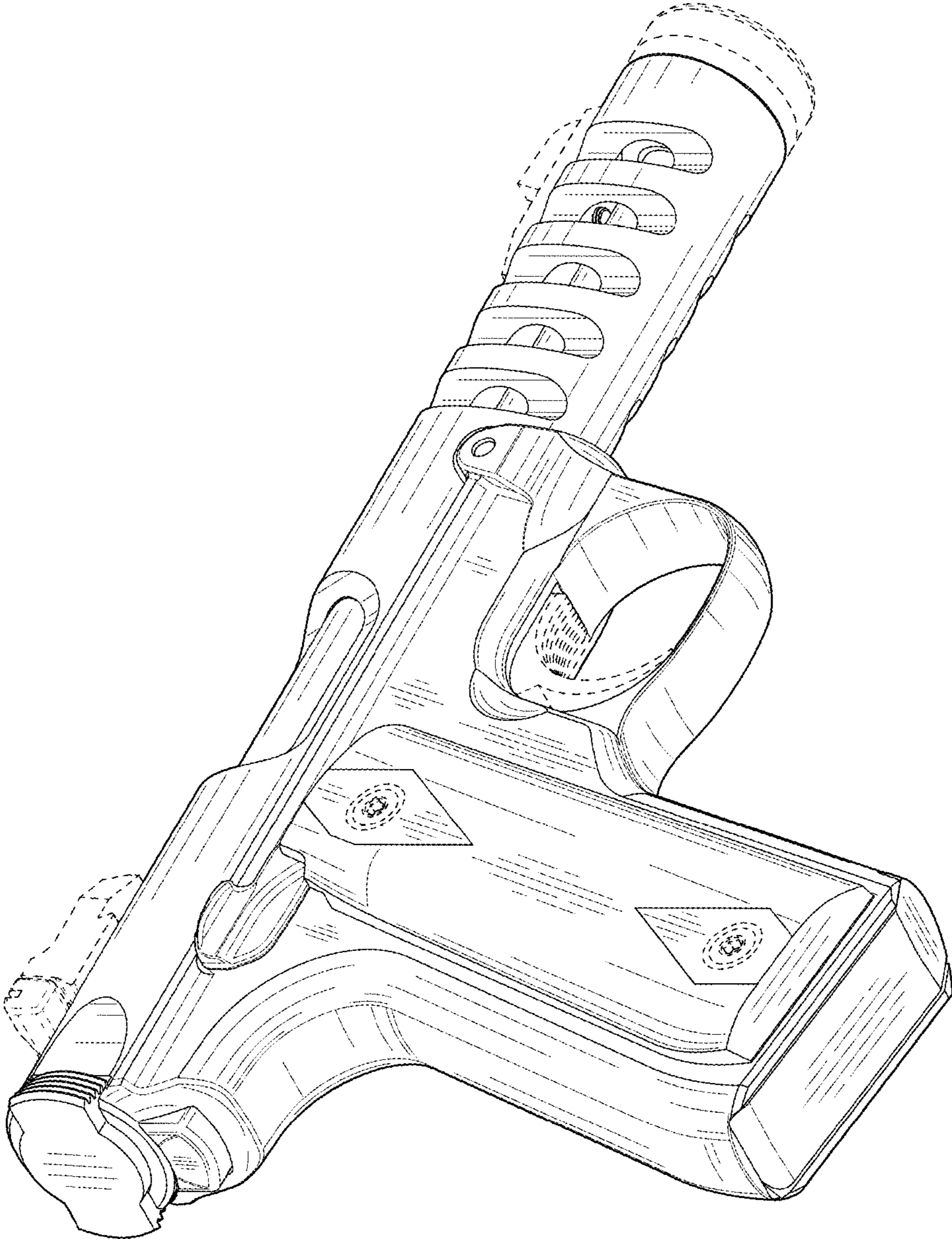


FIG. 3

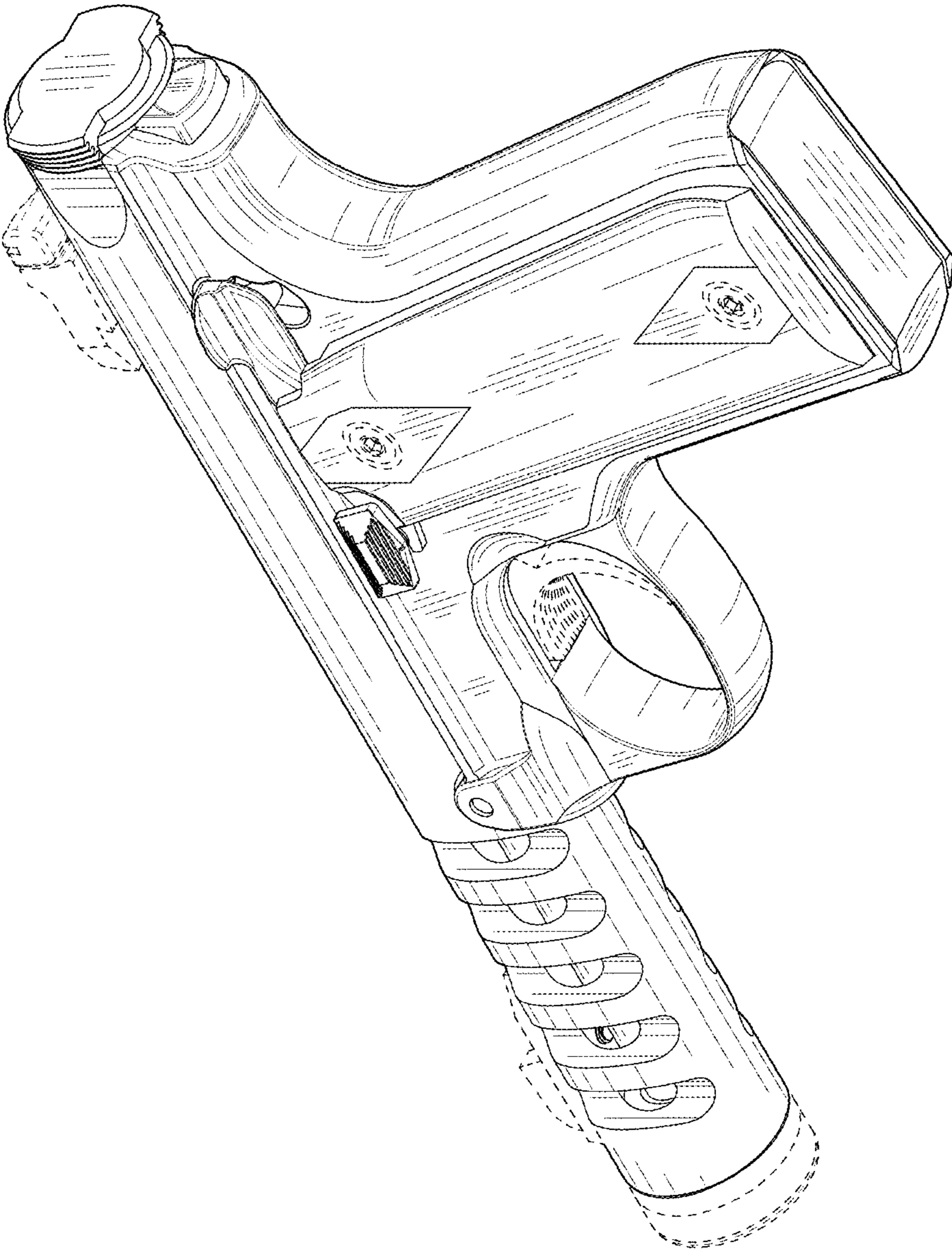


FIG. 4

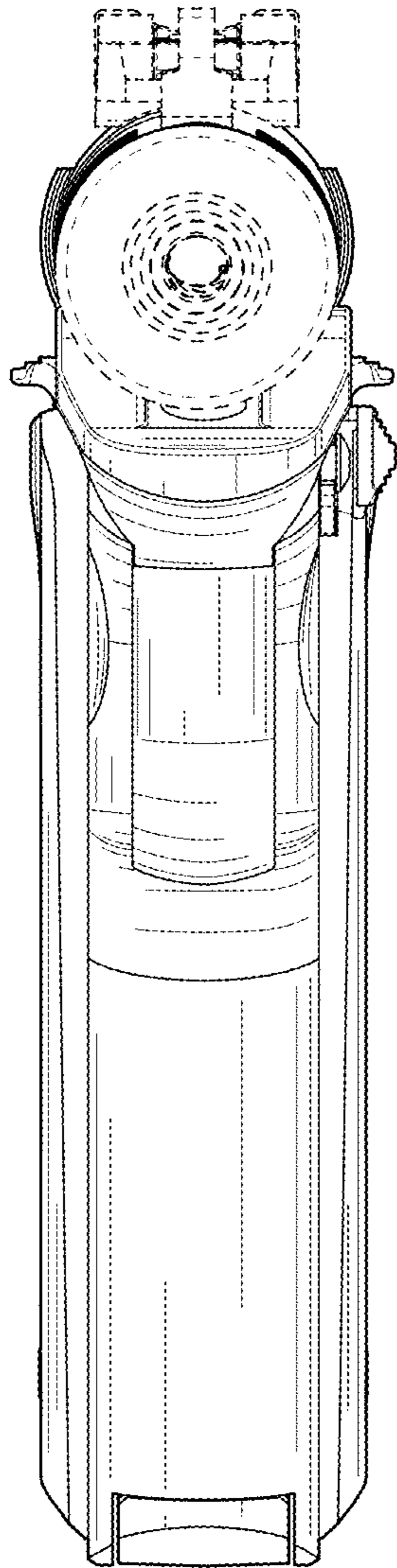


FIG. 5

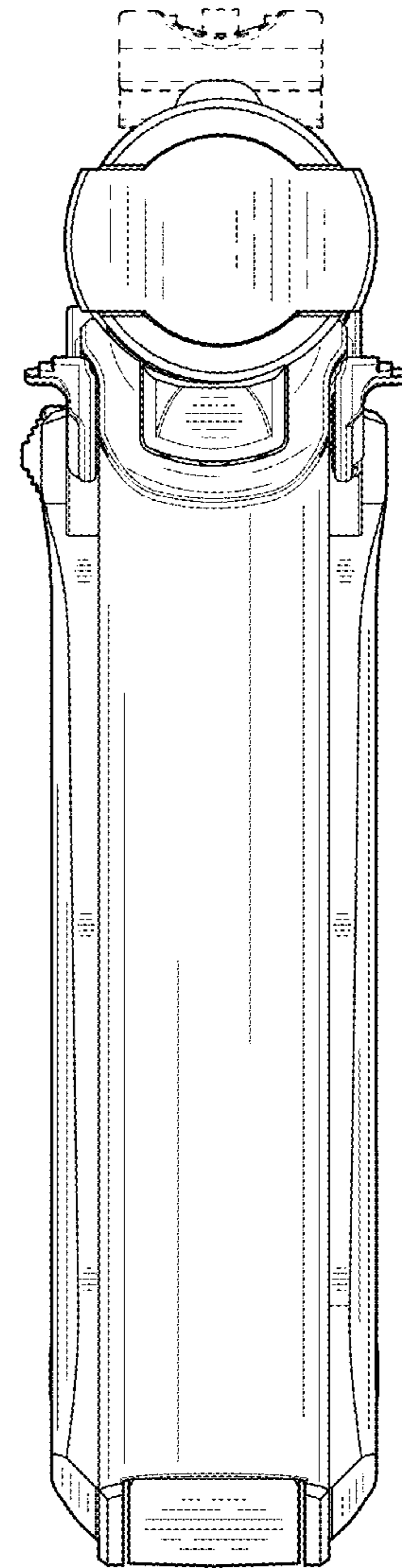


FIG. 6

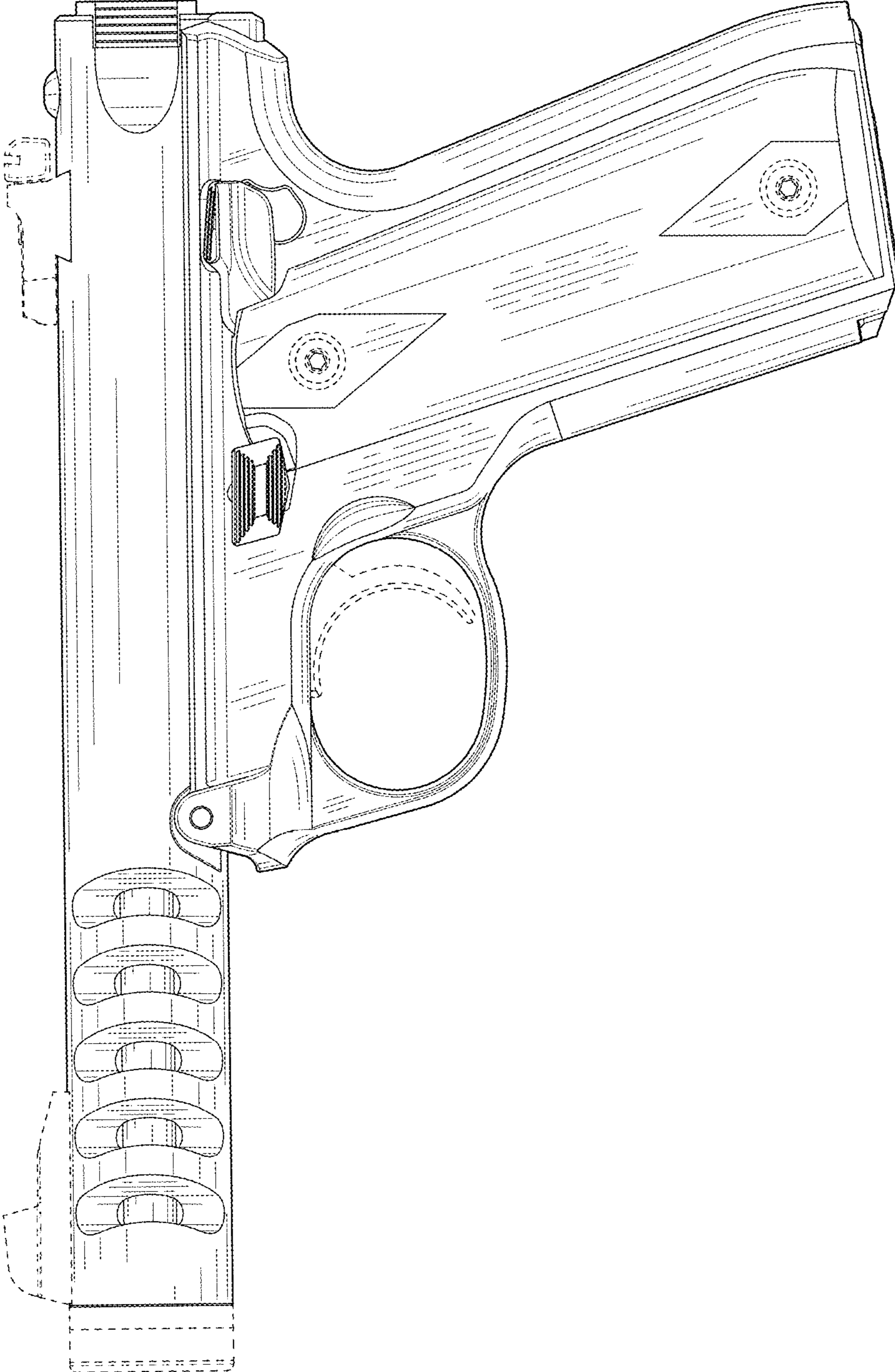


FIG. 7

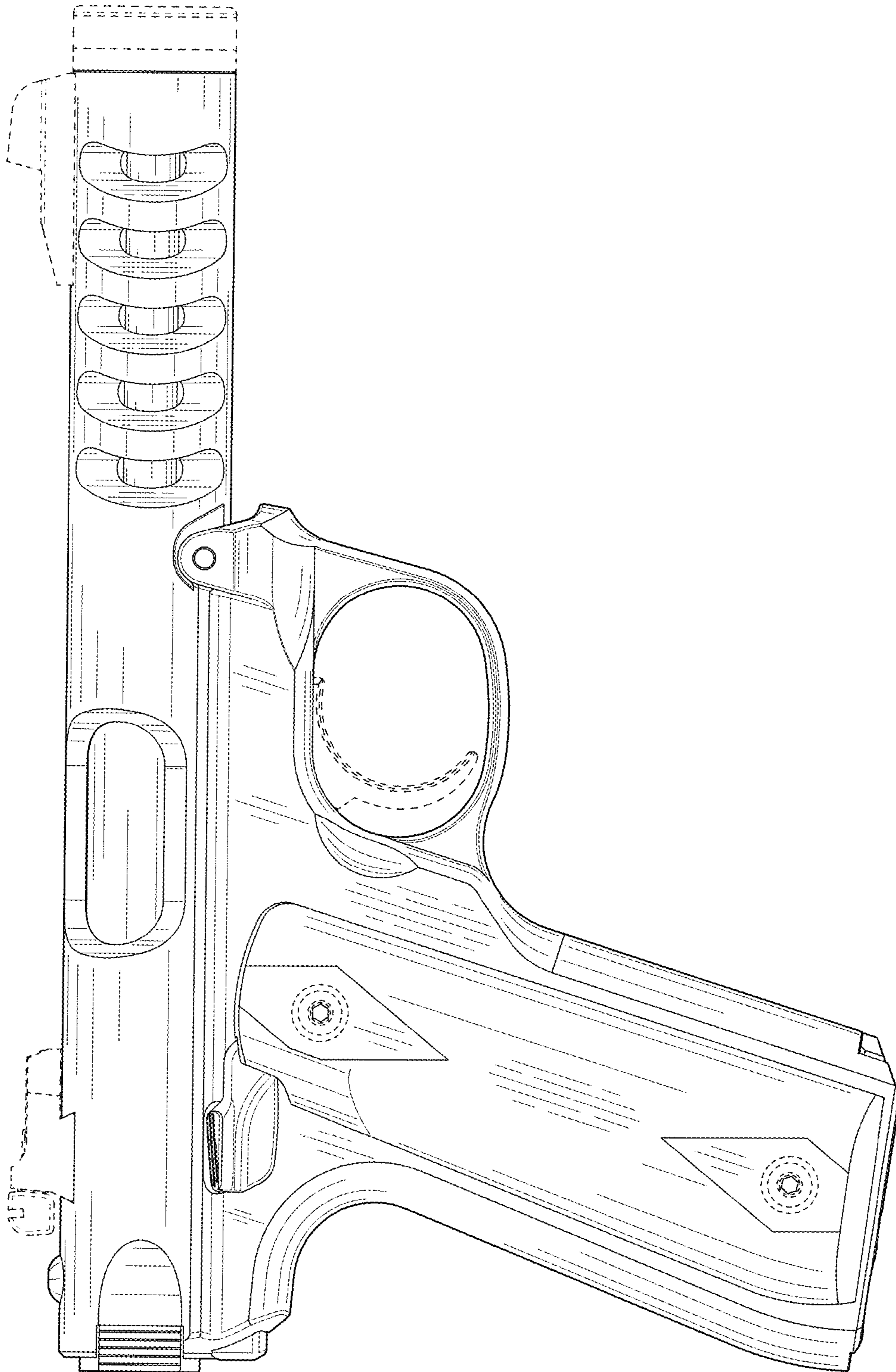


FIG. 8

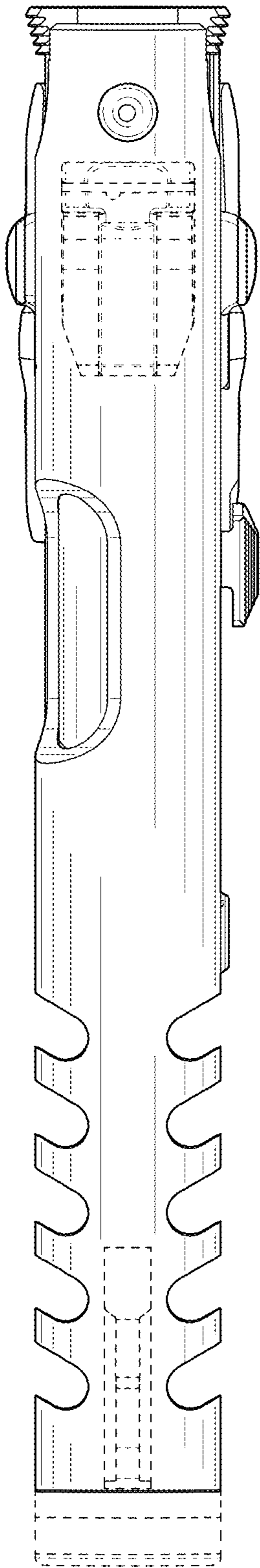


FIG. 9

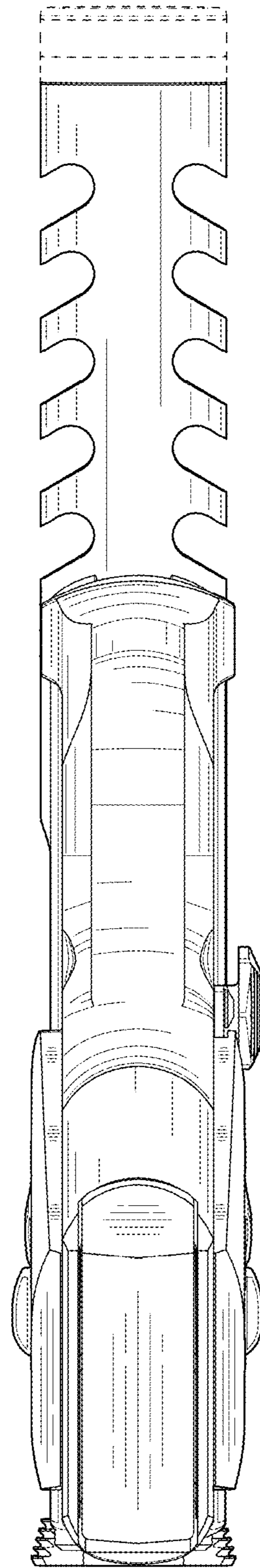


FIG. 10