



US00D777280S

(12) **United States Design Patent**
de Boer

(10) **Patent No.:** **US D777,280 S**

(45) **Date of Patent:** **** *Jan. 24, 2017**

(54) **TRAMPOLINE WITH SUSPENSION MEMBERS**

(71) Applicant: **Bellicon AG**, Bellikon (CH)

(72) Inventor: **Evert G. de Boer**, Ommen (NL)

(73) Assignee: **BELLICON AG**, Bellikon (CH)

(*) Notice: This patent is subject to a terminal disclaimer.

(**) Term: **14 Years**

(21) Appl. No.: **29/522,644**

(22) Filed: **Apr. 1, 2015**

(30) **Foreign Application Priority Data**

Oct. 2, 2014 (WO) 843135301

(51) **LOC (10) Cl.** **21-02**

(52) **U.S. Cl.**
USPC **D21/797**

(58) **Field of Classification Search**
USPC D21/797, 668, 669, 834, 826; D6/716;
482/27, 35, 29, 112, 33, 110, 148, 28, 77,
482/147, 51; 297/452.18; 135/96, 117;
D30/112; D25/1, 16, 22, 56; 446/220;
473/469; 182/139, 224; 273/395, 402
CPC A63B 5/11; A63B 21/023; A63B 2208/12;
A63B 71/022; A63B 2210/50
See application file for complete search history.

(56) **References Cited**

U.S. PATENT DOCUMENTS

3,195,890 A * 7/1965 Salls A63B 25/08
482/128
3,256,021 A * 6/1966 Nissen A63B 5/11
182/139
3,765,673 A * 10/1973 Daw A63B 5/11
482/26

D270,557 S * 9/1983 Williams D21/797
4,477,070 A * 10/1984 Appelbaum A63B 69/0035
482/28
4,489,933 A * 12/1984 Fisher A63B 5/11
482/147
4,598,905 A * 7/1986 Vrana A63B 5/11
482/27
4,730,826 A * 3/1988 Sudmeier A63B 5/11
482/28
D304,850 S * 11/1989 Chambers D21/669
D325,951 S * 5/1992 Johnson D21/669
D362,478 S * 9/1995 Wilkinson D21/797
D363,325 S * 10/1995 Wilkinson D21/797
5,545,110 A * 8/1996 Hsiang
D384,115 S * 9/1997 Wilkinson D21/668

(Continued)

Primary Examiner — Robert M Spear

Assistant Examiner — Ryan Harvey

(74) *Attorney, Agent, or Firm* — Husch Blackwell LLP

(57) **CLAIM**

The ornamental design for a trampoline with suspension members, as shown and described.

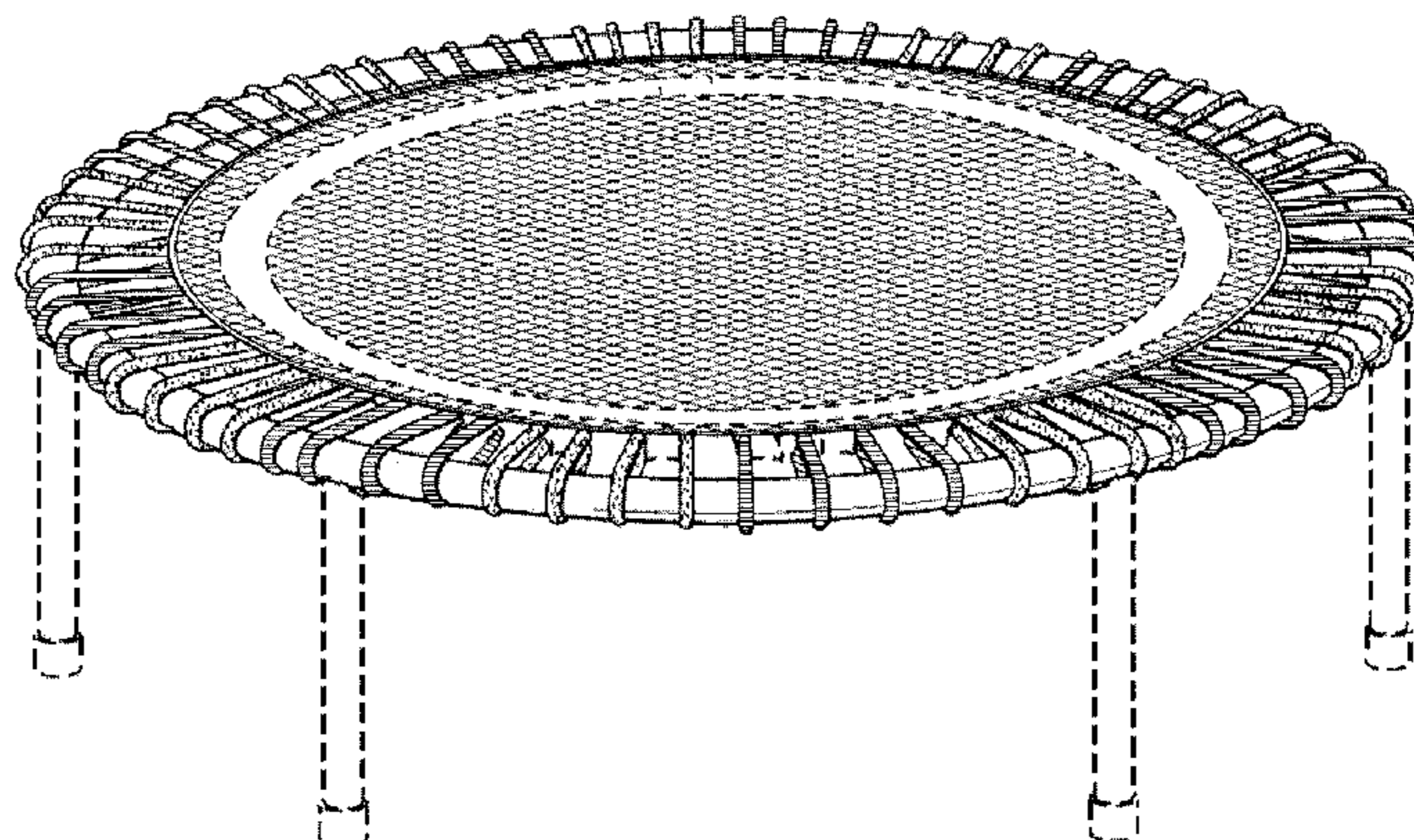
DESCRIPTION

FIG. 1 is a front perspective view of a trampoline with suspension members showing our new design;
FIG. 2 is a top plan view thereof;
FIG. 3 is a front elevation view thereof;
FIG. 4 is a bottom plan view thereof;
FIG. 5 is a rear elevation view thereof;
FIG. 6 is a right elevation view thereof; and,
FIG. 7 is a left elevation view thereof.

With respect to the drawings, stippled surface shading is used to represent a first appearance while line shading is used to represent a contrasting appearance for the suspension members.

The broken lines in the drawings represent unclaimed environmental subject matter and form no part of the claim.

1 Claim, 4 Drawing Sheets



(56)

References Cited

U.S. PATENT DOCUMENTS

6,001,045	A *	12/1999	Gift	A63B 5/11 482/27	2007/0004559	A1 *	1/2007	Alexander	A63B 5/11 482/27
6,053,845	A *	4/2000	Publicover	A63B 5/11 482/27	2008/0314427	A1 *	12/2008	Lai	A63H 33/008 135/96
6,139,474	A	10/2000	Gift et al.		2009/0280961	A1 *	11/2009	Ikegami	A63B 5/11 482/27
D496,422	S *	9/2004	Rota	D21/780	2011/0021322	A1 *	1/2011	Schaffer	A63B 5/11 482/29
D504,711	S	5/2005	Hsiung		2012/0123897	A1	5/2012	Gargiulo	
D570,947	S *	6/2008	Horne	D21/797	2013/0097050	A1	4/2013	Soracco et al.	
8,038,580	B2	10/2011	Pieper et al.		2013/0210590	A1 *	8/2013	Publicover	A63B 5/11 482/110
8,246,521	B2 *	8/2012	Alexander	A63B 5/00 482/142	2013/0316876	A1	11/2013	Publicover et al.	
8,255,807	B2	8/2012	Ganz et al.		2014/0006204	A1	1/2014	Candrian et al.	
D680,609	S *	4/2013	Publicover	D21/797	2014/0032356	A1	1/2014	Chuang et al.	
D712,497	S *	9/2014	Yang	D21/797	2014/0228176	A1 *	8/2014	Miller	A63B 5/11 482/27
D716,574	S *	11/2014	Akkad	D6/368	2014/0287879	A1	9/2014	Hall	
D720,550	S *	1/2015	Akkad	D6/368	2014/0315691	A1 *	10/2014	Turner	A63B 26/003 482/27
9,033,853	B1 *	5/2015	McMurtrey	A63B 5/00 482/112	2014/0336005	A1 *	11/2014	Miller	A63B 5/11 482/27
2002/0137598	A1 *	9/2002	Publicover	A63B 5/11 482/27	2014/0342880	A1 *	11/2014	Nelson	A63B 5/11 482/27
2002/0160884	A1 *	10/2002	Hall	A63B 5/11 482/23	2014/0344098	A1	11/2014	Vaughn	
2005/0113213	A1 *	5/2005	Alexander	A63B 5/11 482/27	2015/0006313	A1	1/2015	Beaver et al.	
2005/0227812	A1	10/2005	James		2015/0076888	A1 *	3/2015	Xu	A63G 9/14 297/452.18
2006/0106682	A1	5/2006	Van Dyck et al.		2015/0080186	A1 *	3/2015	Carlin	A63B 5/11 482/27
2006/0172861	A1 *	8/2006	Wang	A63B 5/11 482/27	2015/0157889	A1 *	6/2015	Miller	A63B 5/11 482/27
2006/0223676	A1 *	10/2006	Rote	A63B 5/11 482/27					

* cited by examiner

Fig. 1

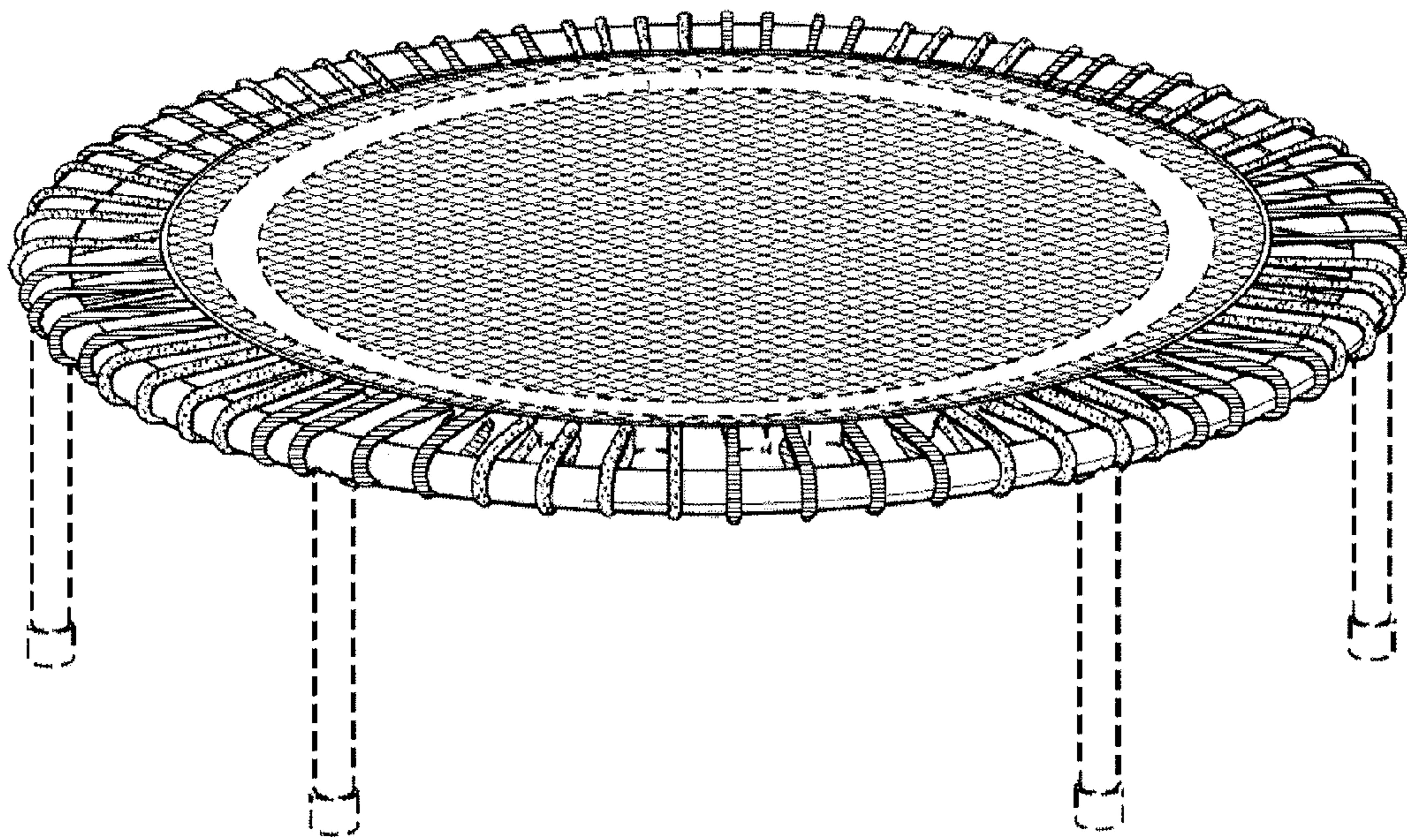


Fig. 2

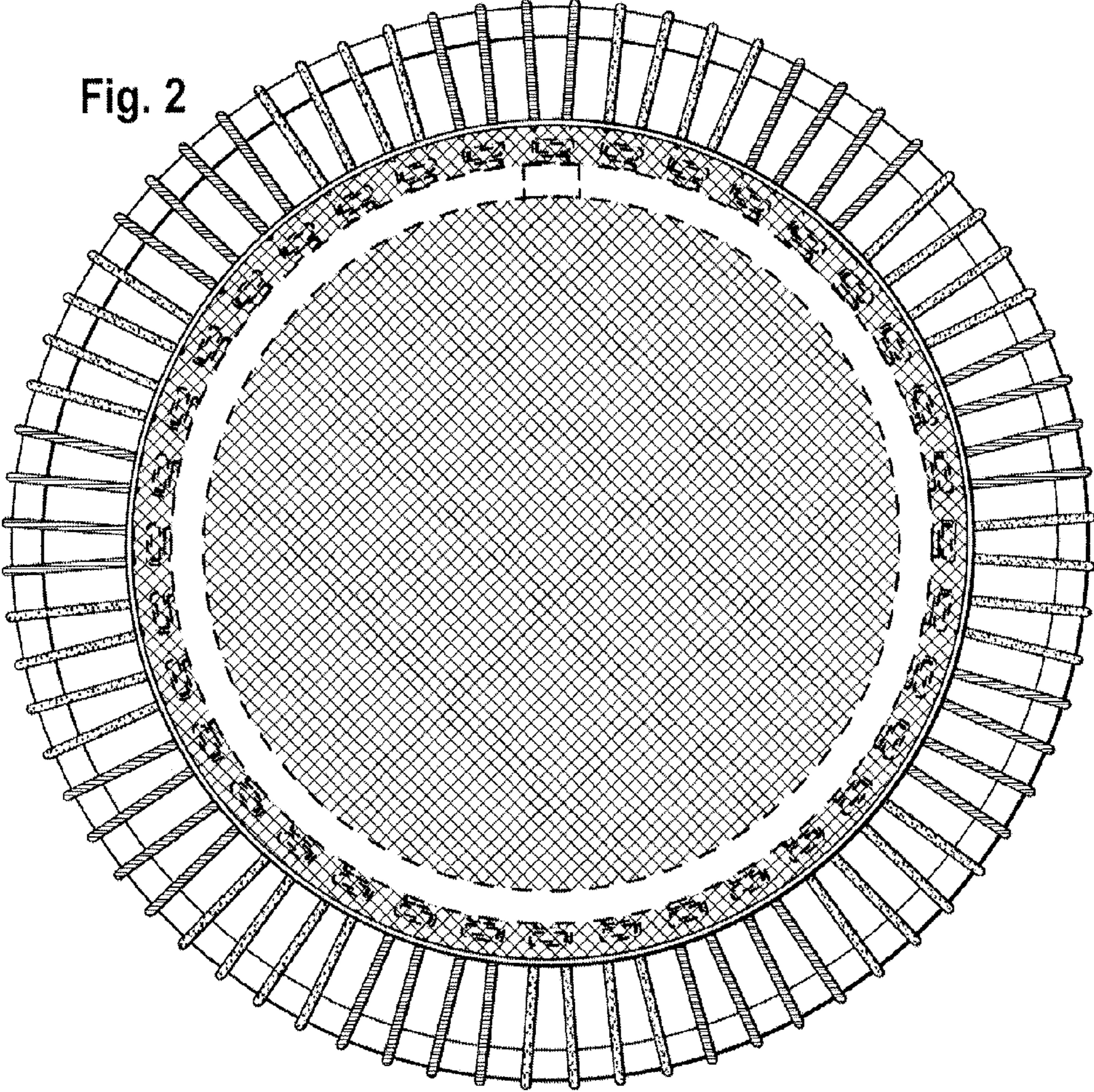


Fig. 3

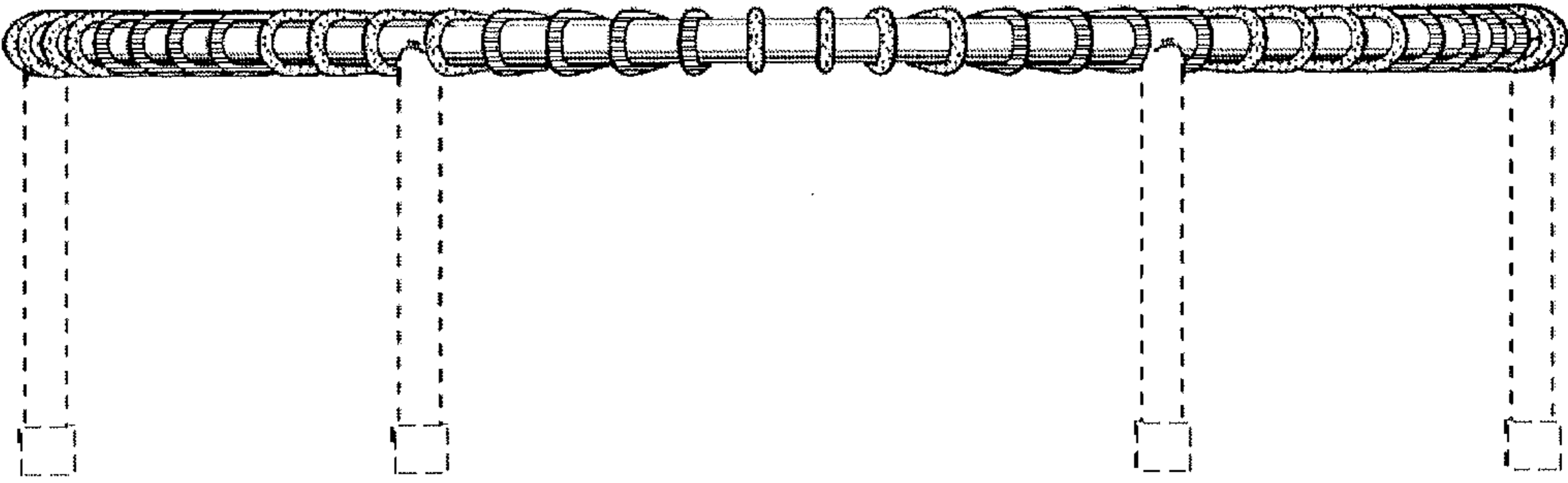


Fig. 4

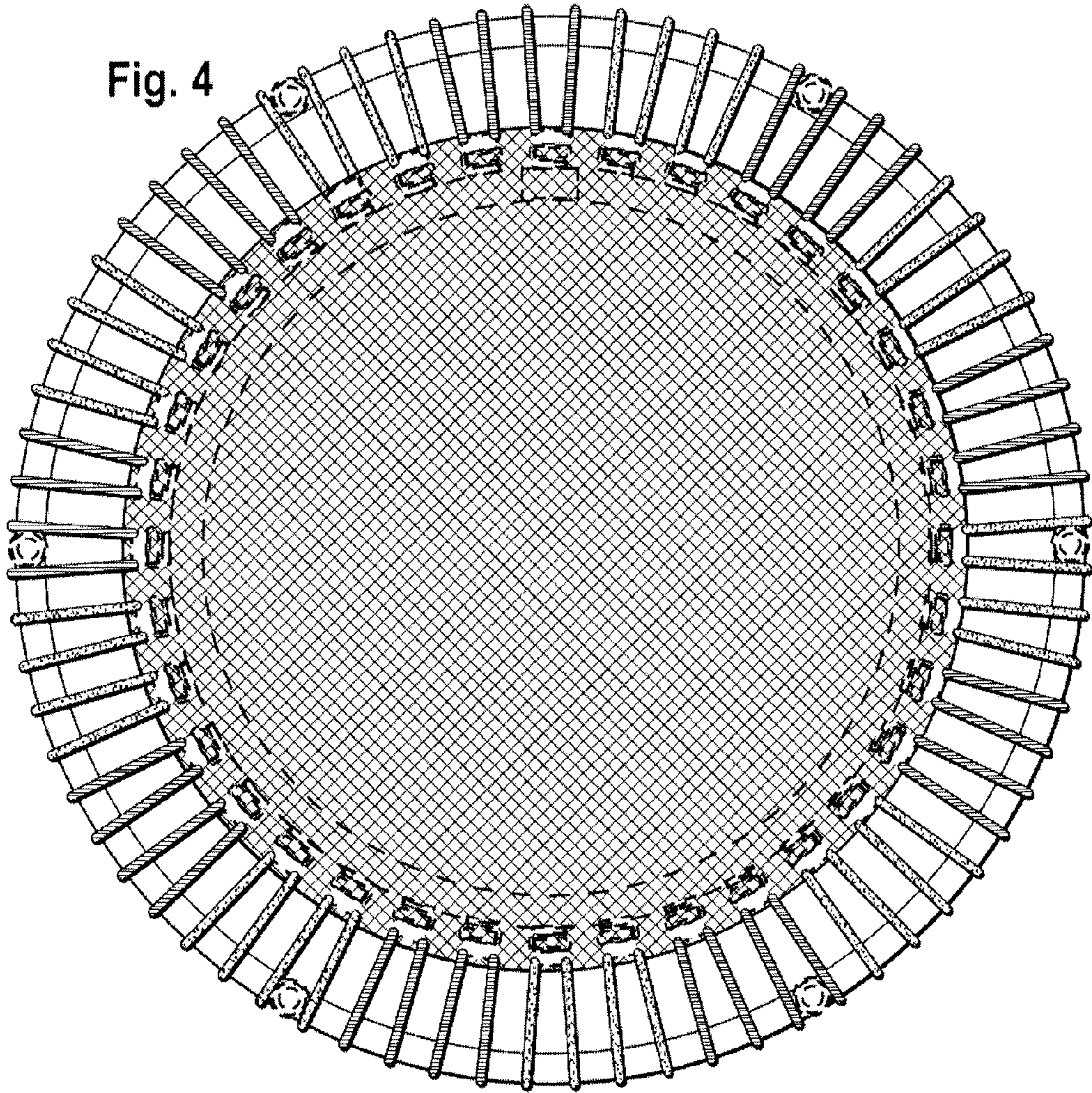


Fig. 5

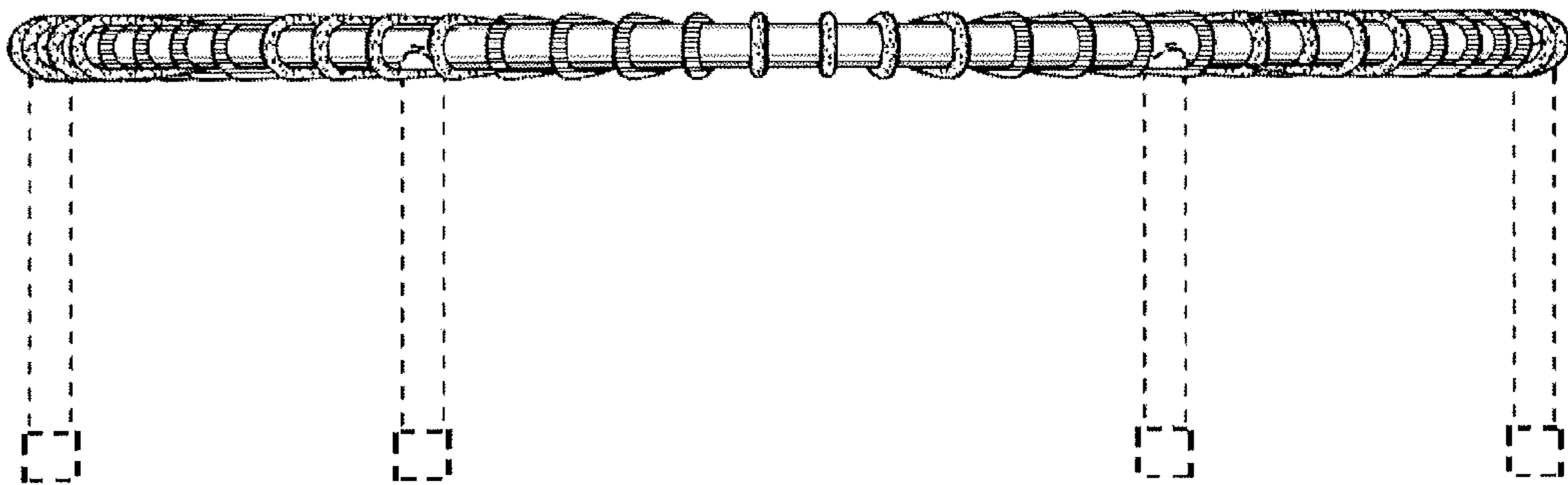


Fig. 6

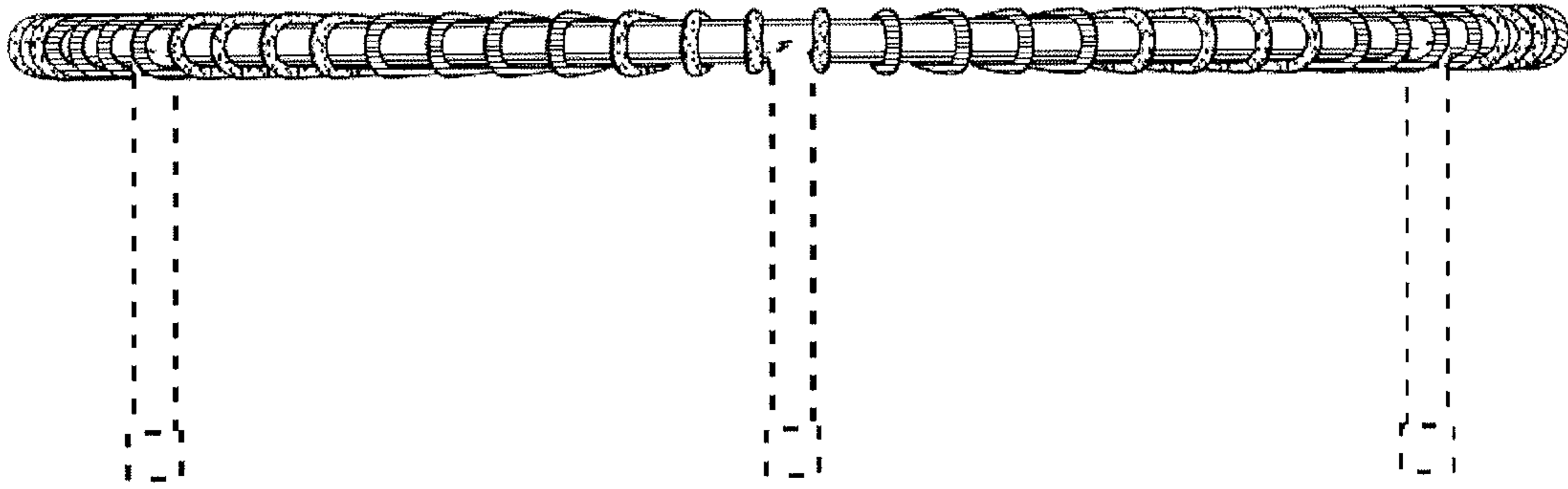


Fig. 7

