



US00D777277S

(12) **United States Design Patent**  
**Dolezel**

(10) **Patent No.:** **US D777,277 S**  
(45) **Date of Patent:** **\*\* Jan. 24, 2017**

- (54) **GOLF CLUB HEAD**
- (71) Applicant: **DUNLOP SPORTS CO. LTD.**, Kobe (JP)
- (72) Inventor: **Keith Dolezel**, West Covina, CA (US)
- (73) Assignee: **DUNLOP SPORTS CO. LTD.**, Kobe (JP)
- (\*\*) Term: **15 Years**
- (21) Appl. No.: **29/541,398**
- (22) Filed: **Oct. 2, 2015**
- (51) **LOC (10) Cl.** ..... **21-02**
- (52) **U.S. Cl.**  
USPC ..... **D21/759**
- (58) **Field of Classification Search**  
USPC ..... D21/736-746, 759  
CPC ... A63B 53/065; A63B 53/0487; A63B 53/00;  
A63B 53/007; A63B 53/04  
See application file for complete search history.

- D575,366 S \* 8/2008 Rollinson ..... D21/744
  - 7,455,599 B2 11/2008 Jones
  - D590,035 S \* 4/2009 Hilton ..... D21/744
  - D591,372 S \* 4/2009 Tang ..... D21/743
- (Continued)

**OTHER PUBLICATIONS**

Nike Golf Method Converge M1-08 Putter. Information and images available at: <<http://www.golfwrx.com/246795/full-nike-2015-equipment-line>>, pp. 10-11. Oct. 1, 2014.  
(Continued)

*Primary Examiner* — Mitchell Siegel  
(74) *Attorney, Agent, or Firm* — Oliff PLC

(57) **CLAIM**  
The ornamental design for a golf club head, as shown and described.

**DESCRIPTION**

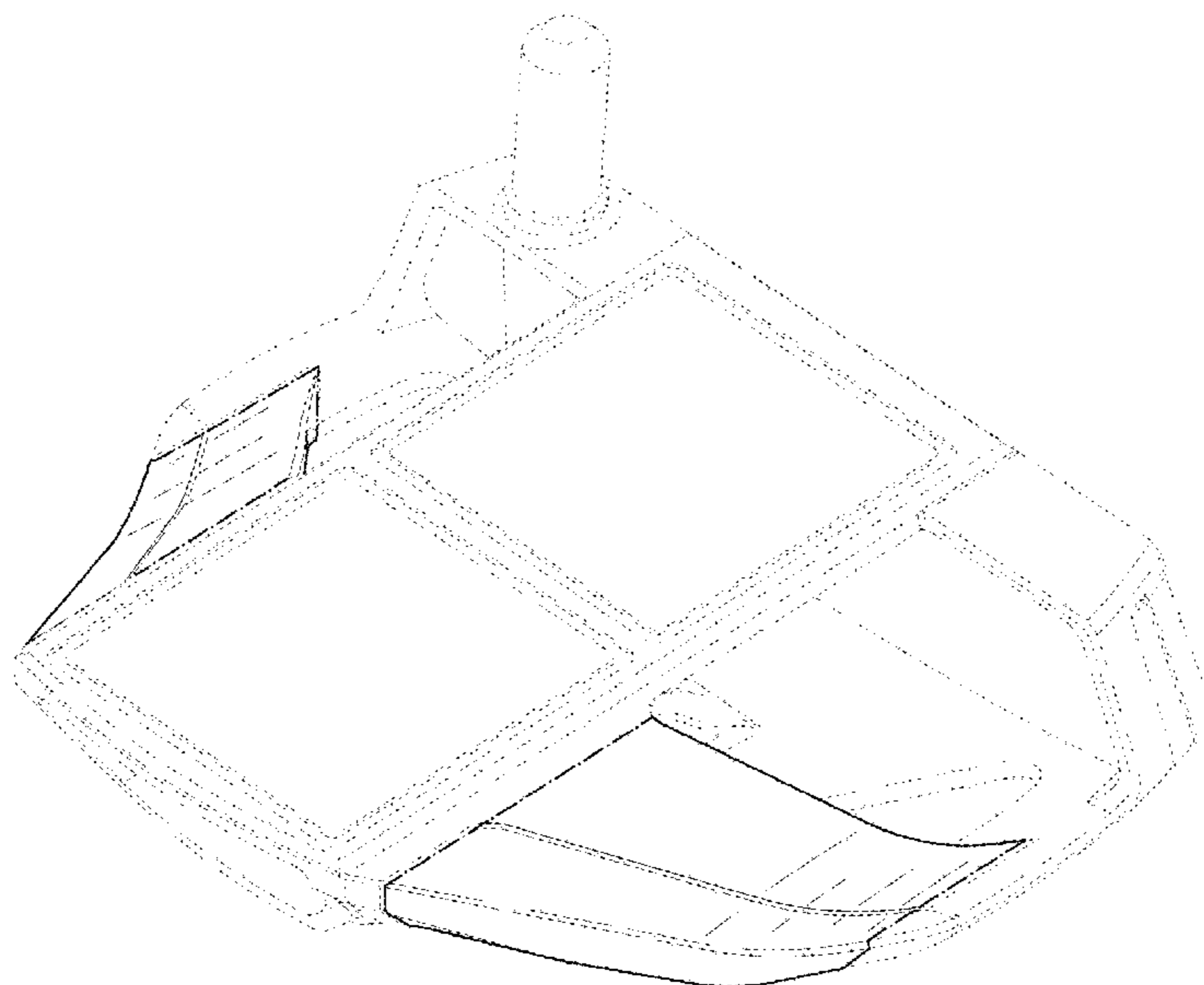
FIG. 1 is a front, heel-side, top perspective view of the golf club head;  
FIG. 2 is a top plan view thereof;  
FIG. 3 is a toe-side elevational view thereof;  
FIG. 4 is a heel-side elevational view thereof;  
FIG. 5 is a rear elevational view thereof;  
FIG. 6 is a bottom plan view thereof;  
FIG. 7 is a rear, heel-side, top perspective view thereof;  
FIG. 8 is a front, toe-side, top perspective view thereof;  
FIG. 9 is a rear, toe-side, top perspective view thereof; and,  
FIG. 10 is a rear, toe-side, bottom perspective view thereof.  
The dot-dash chain lines illustrate the boundaries of the claimed design and form no part of the claimed design. The broken lines illustrate environmental subject matter and form no part of the claimed design.

**1 Claim, 9 Drawing Sheets**

(56) **References Cited**

**U.S. PATENT DOCUMENTS**

- 5,405,136 A 4/1995 Hardman
- 5,464,212 A 11/1995 Cook
- 5,766,093 A 6/1998 Rohrer
- 5,944,619 A 8/1999 Cameron
- 6,302,807 B1 10/2001 Rohrer
- 6,375,583 B1 4/2002 Solheim
- 6,680,822 B1 1/2004 Lin et al.
- D513,777 S \* 1/2006 Cuellar ..... D21/759
- 7,175,540 B2 2/2007 Sano
- D571,879 S \* 6/2008 Jones ..... D21/736
- D572,780 S \* 7/2008 Rollinson ..... D21/744
- D574,907 S \* 8/2008 Jones ..... D21/736



(56)

References Cited

U.S. PATENT DOCUMENTS

D594,517 S \* 6/2009 Tang ..... D21/736  
 D595,793 S \* 7/2009 Rollinson ..... D21/736  
 7,648,424 B2 1/2010 Hinojosa  
 D623,710 S \* 9/2010 Hilton ..... D21/743  
 D643,487 S \* 8/2011 Serrano ..... D21/742  
 D709,971 S \* 7/2014 Trahan ..... D21/759  
 D709,973 S \* 7/2014 Trahan ..... D21/759  
 8,771,098 B2 7/2014 Hilton  
 D710,469 S \* 8/2014 Trahan ..... D21/759  
 D710,470 S \* 8/2014 Trahan ..... D21/759  
 8,834,285 B2 9/2014 Franklin et al.  
 D730,462 S \* 5/2015 Becktor ..... D21/742  
 D730,463 S \* 5/2015 Dolezel ..... D21/742  
 D732,120 S \* 6/2015 Becktor ..... D21/742  
 D732,121 S \* 6/2015 Trahan ..... D21/742  
 D732,122 S \* 6/2015 Becktor ..... D21/742  
 D732,618 S \* 6/2015 Becktor ..... D21/742  
 D733,233 S 6/2015 Dolezel et al.

D757,193 S \* 5/2016 Dolezel ..... D21/759  
 2012/0149492 A1 6/2012 Del Rosario et al.  
 2014/0194220 A1 7/2014 Hocknell et al.

OTHER PUBLICATIONS

Nike Method Converge B1-01 Putter. Information and images available at: <<http://www.golfwrx.com/246795/full-nike-2015-equipment-line>>. Oct. 1, 2014.  
 Nike Method Converge S1-12 Putter. Information and images available at: <<http://www.golfwrx.com/246795/full-nike-2015-equipment-line>>. Oct. 1, 2014.  
 Cobra Golf Payday putter. Information and images available at: <[http://valueguide.pga.com/detail-exec/brand/2678/product\\_type/206/model/44329/b/Cobra/p/Putter/m/Payday%20Mallet](http://valueguide.pga.com/detail-exec/brand/2678/product_type/206/model/44329/b/Cobra/p/Putter/m/Payday%20Mallet)>. Nov. 26, 2007.  
 Cobra Golf Bobby Grace Cute Kid Putter. Information and images available at: <[https://valueguide.pga.com/detail-exec/brand/2678/product\\_type/206/model/43637/b/Cobra/p/Putter/m/Bobby%20Grace%20The%20Cute%20Kid](https://valueguide.pga.com/detail-exec/brand/2678/product_type/206/model/43637/b/Cobra/p/Putter/m/Bobby%20Grace%20The%20Cute%20Kid)>. Nov. 26, 2007.

\* cited by examiner

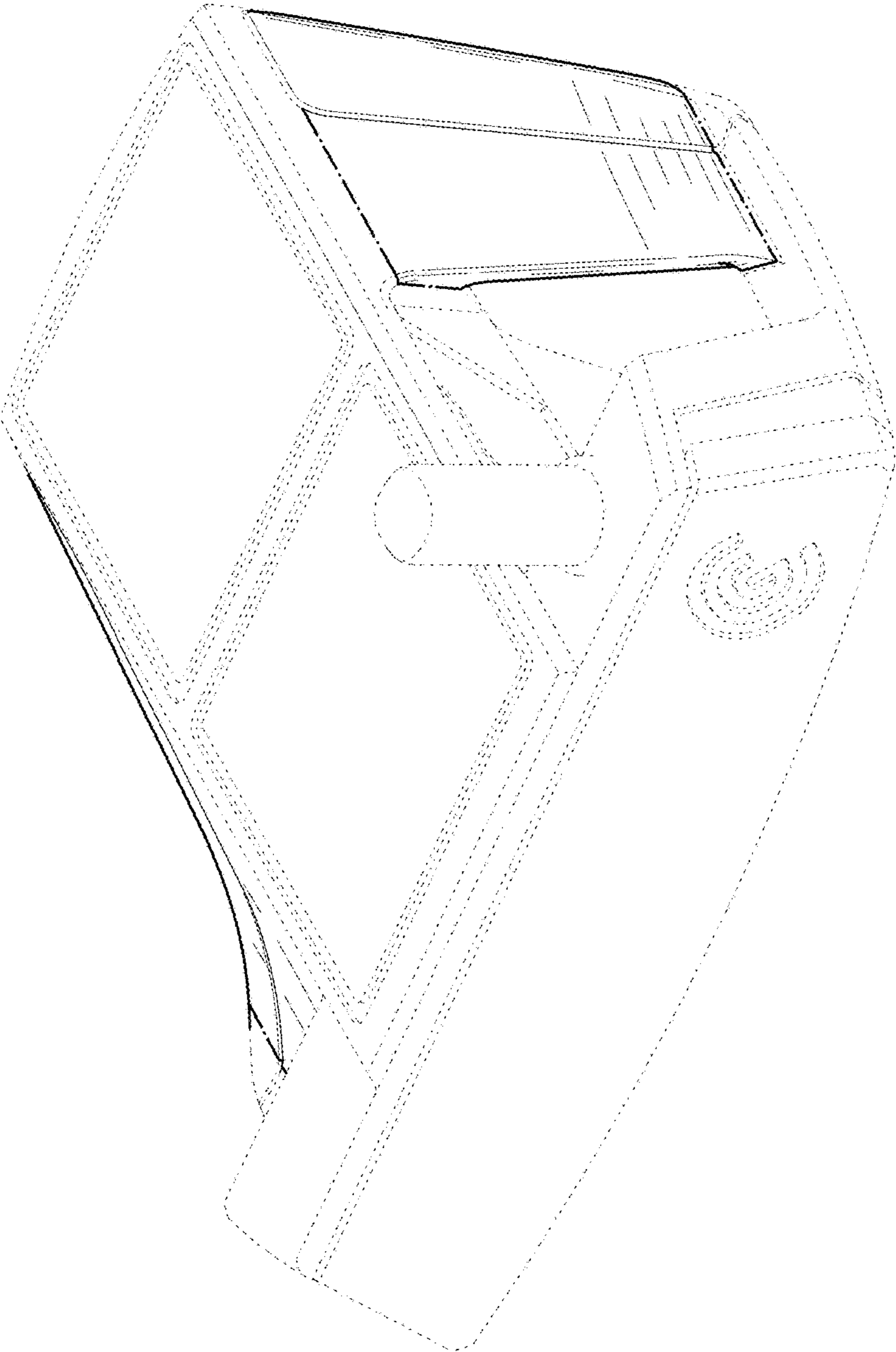


FIG. 1

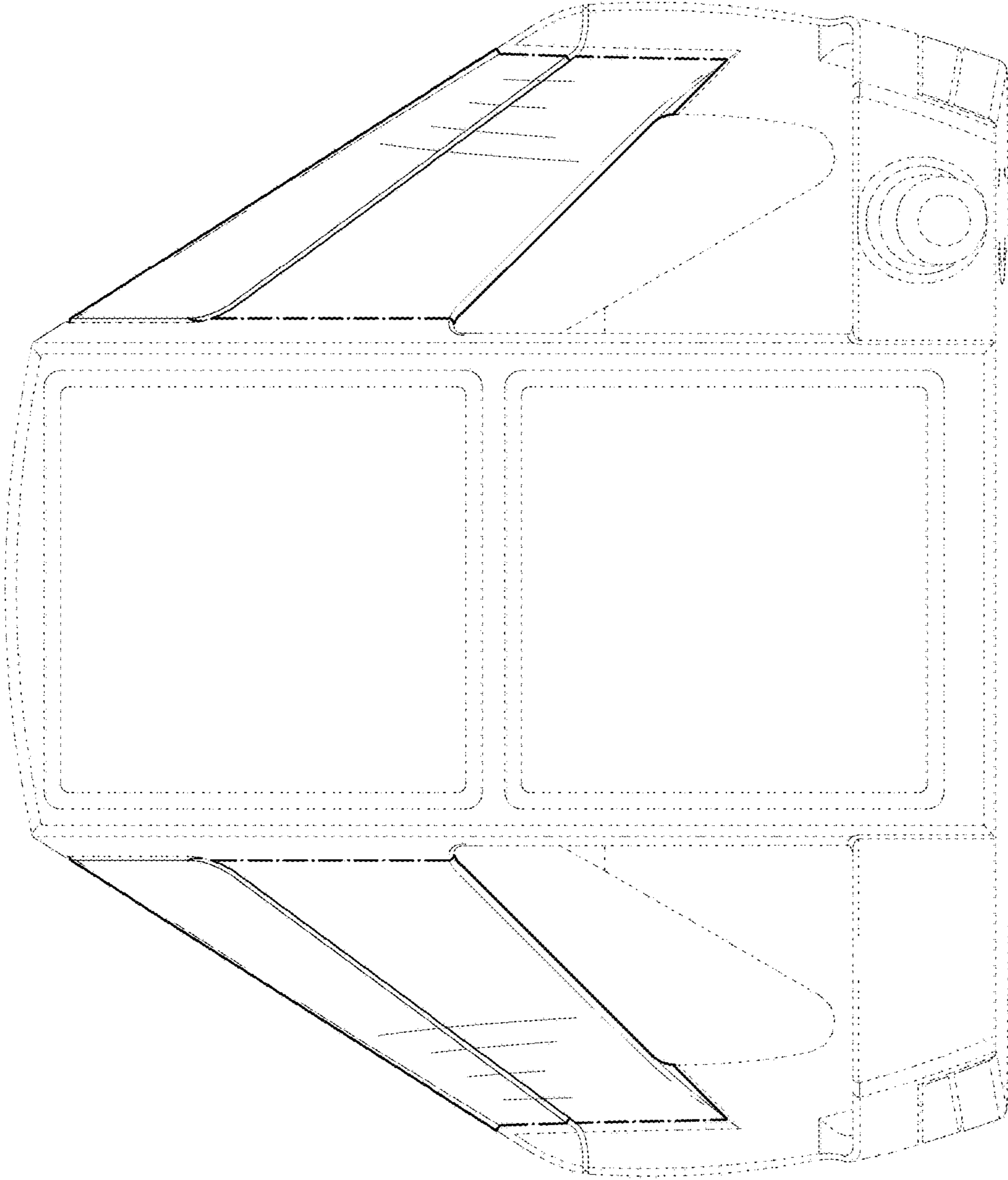


FIG. 2

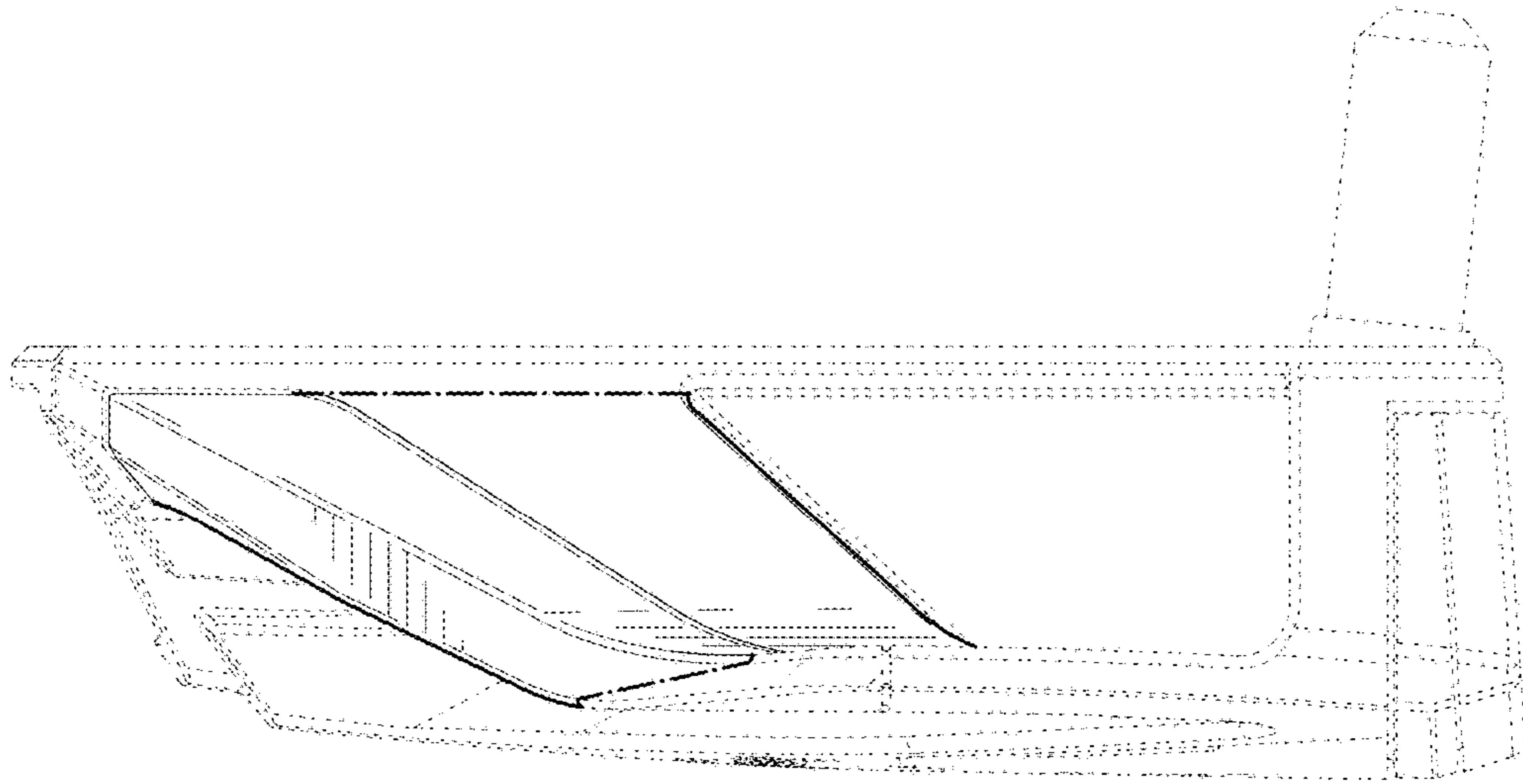


FIG. 3

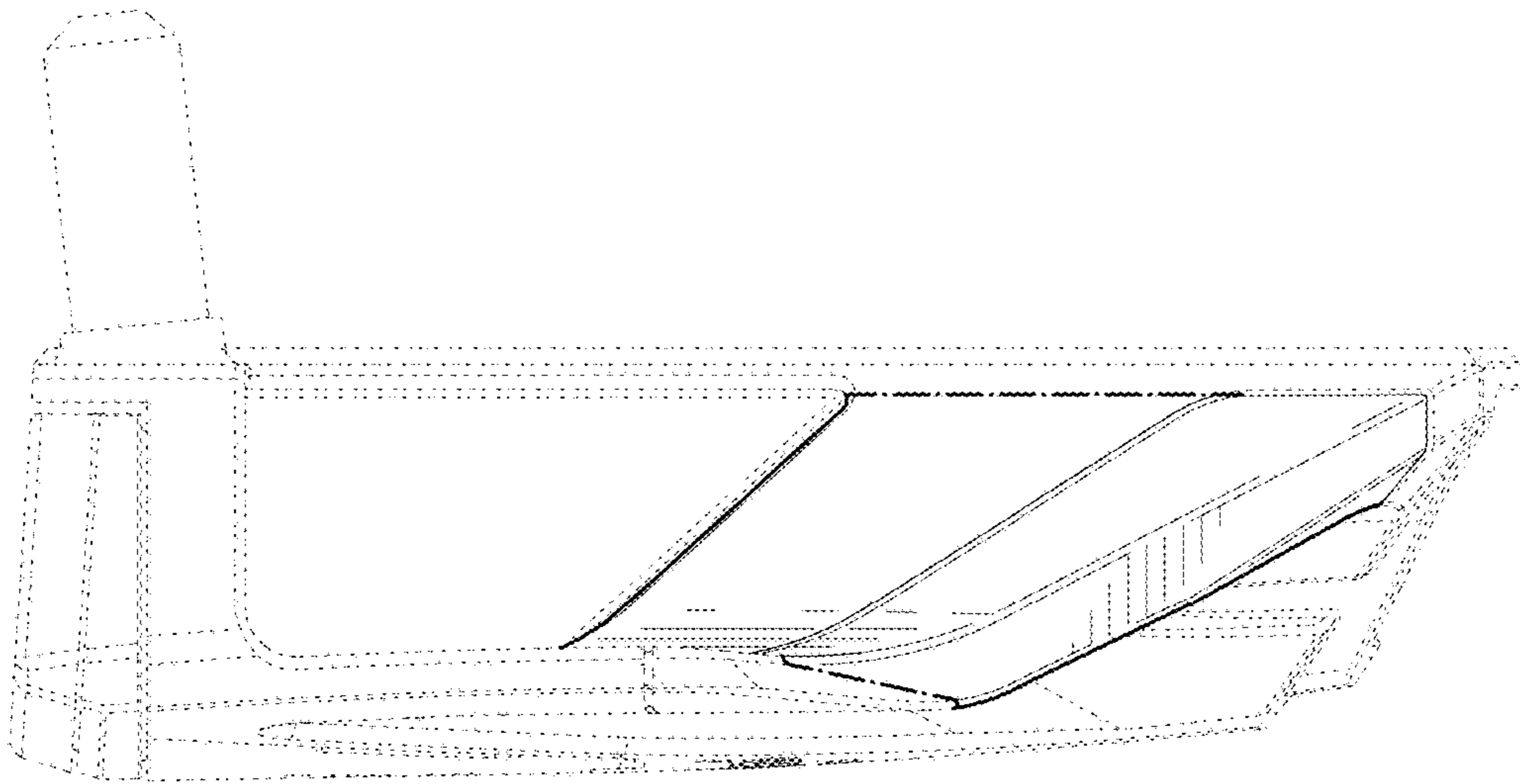


FIG. 4

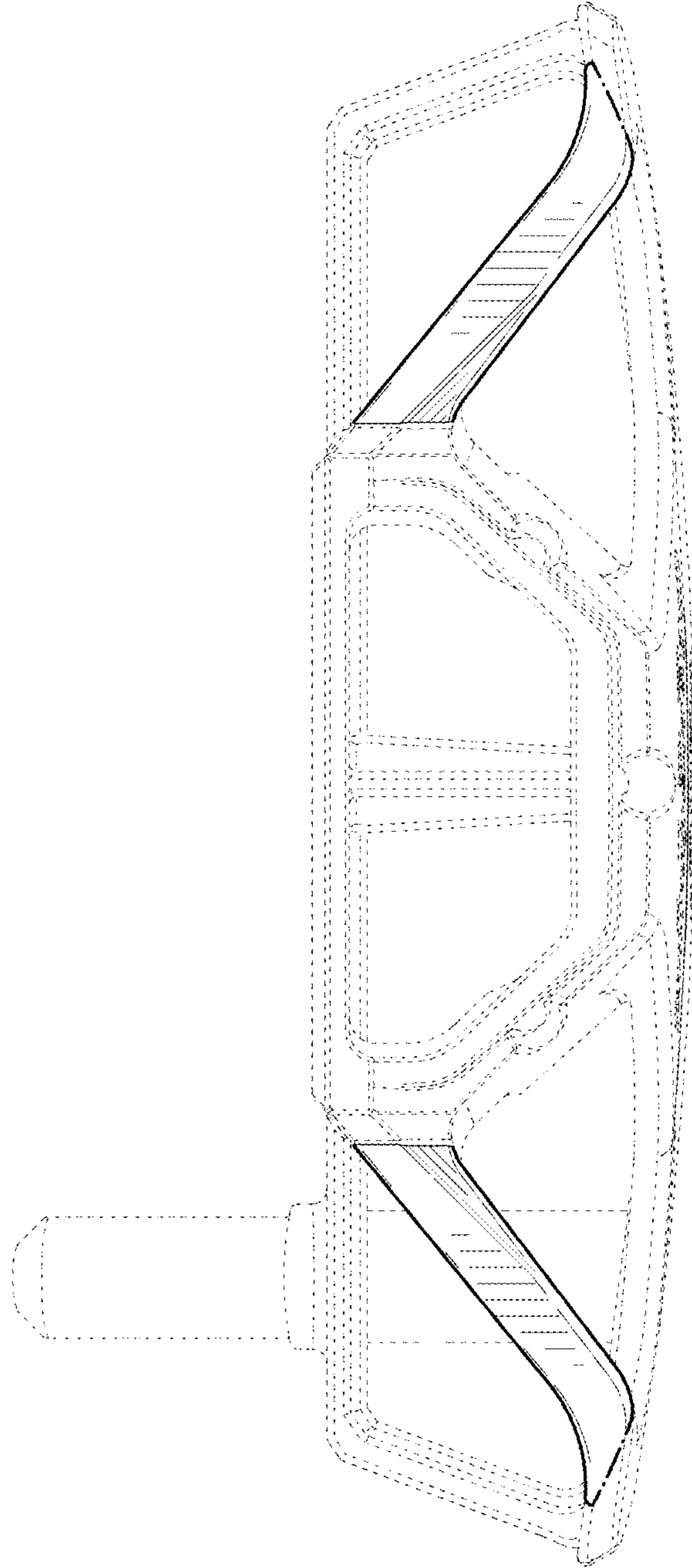


FIG. 5

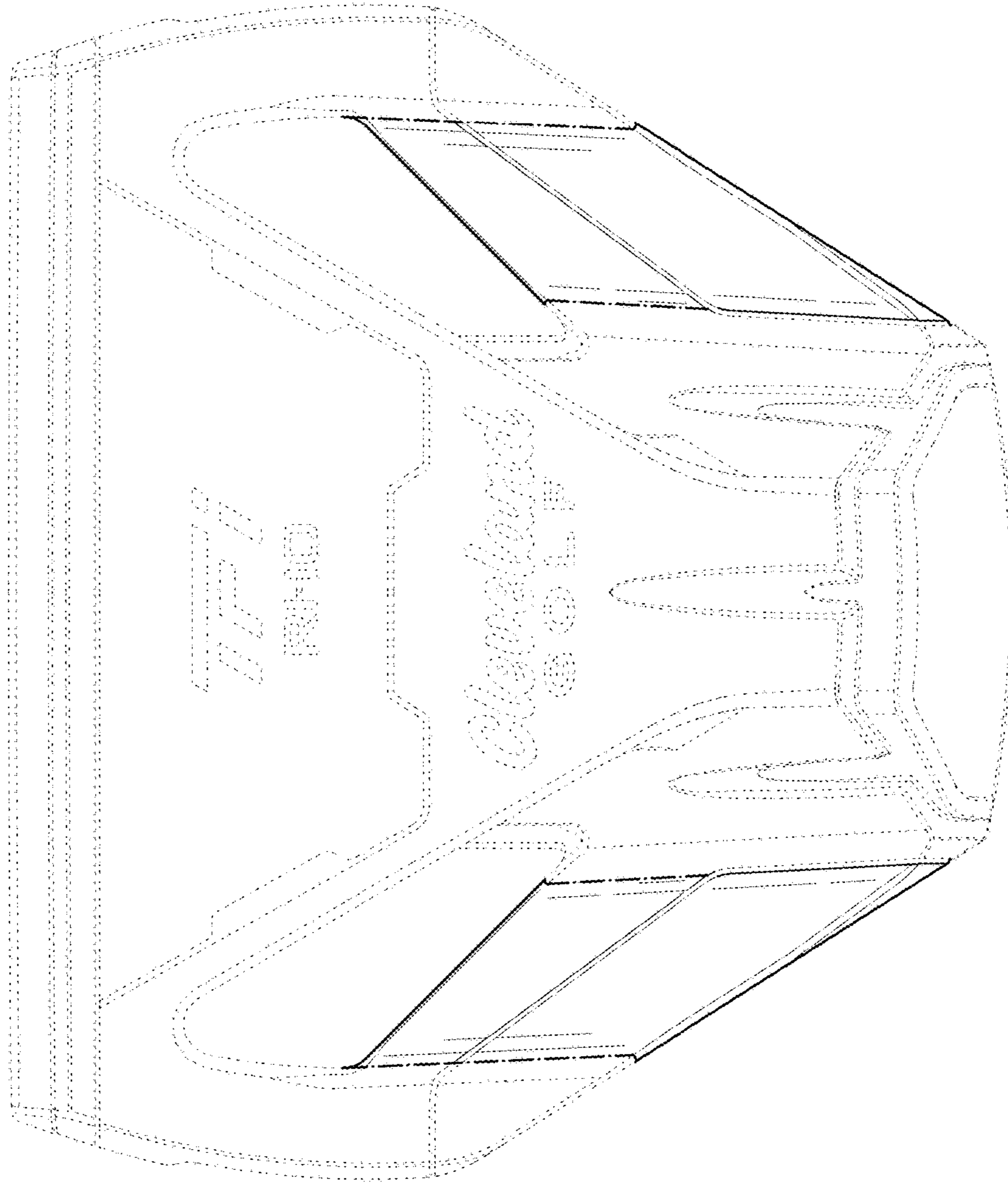


FIG. 6

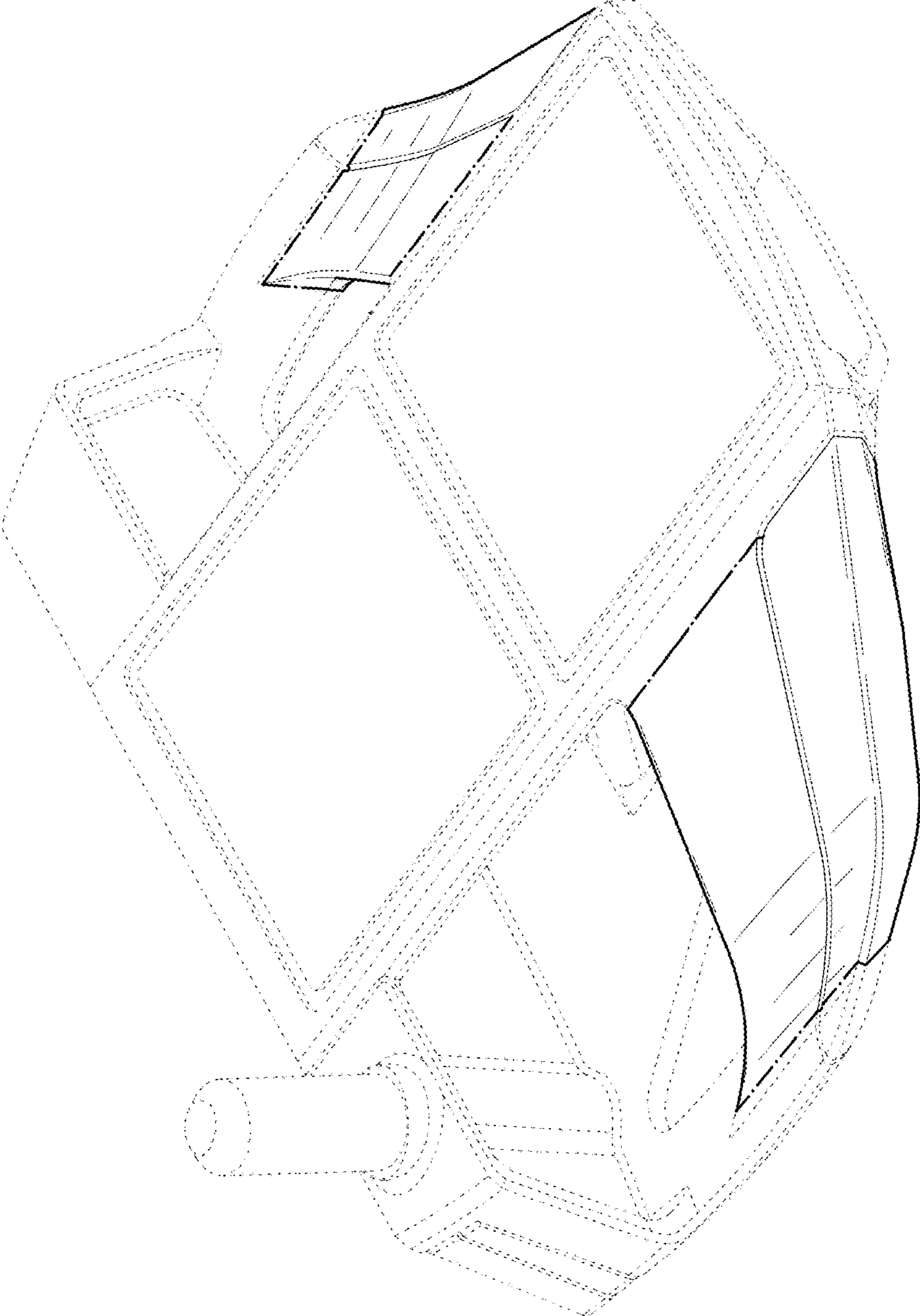


FIG. 7



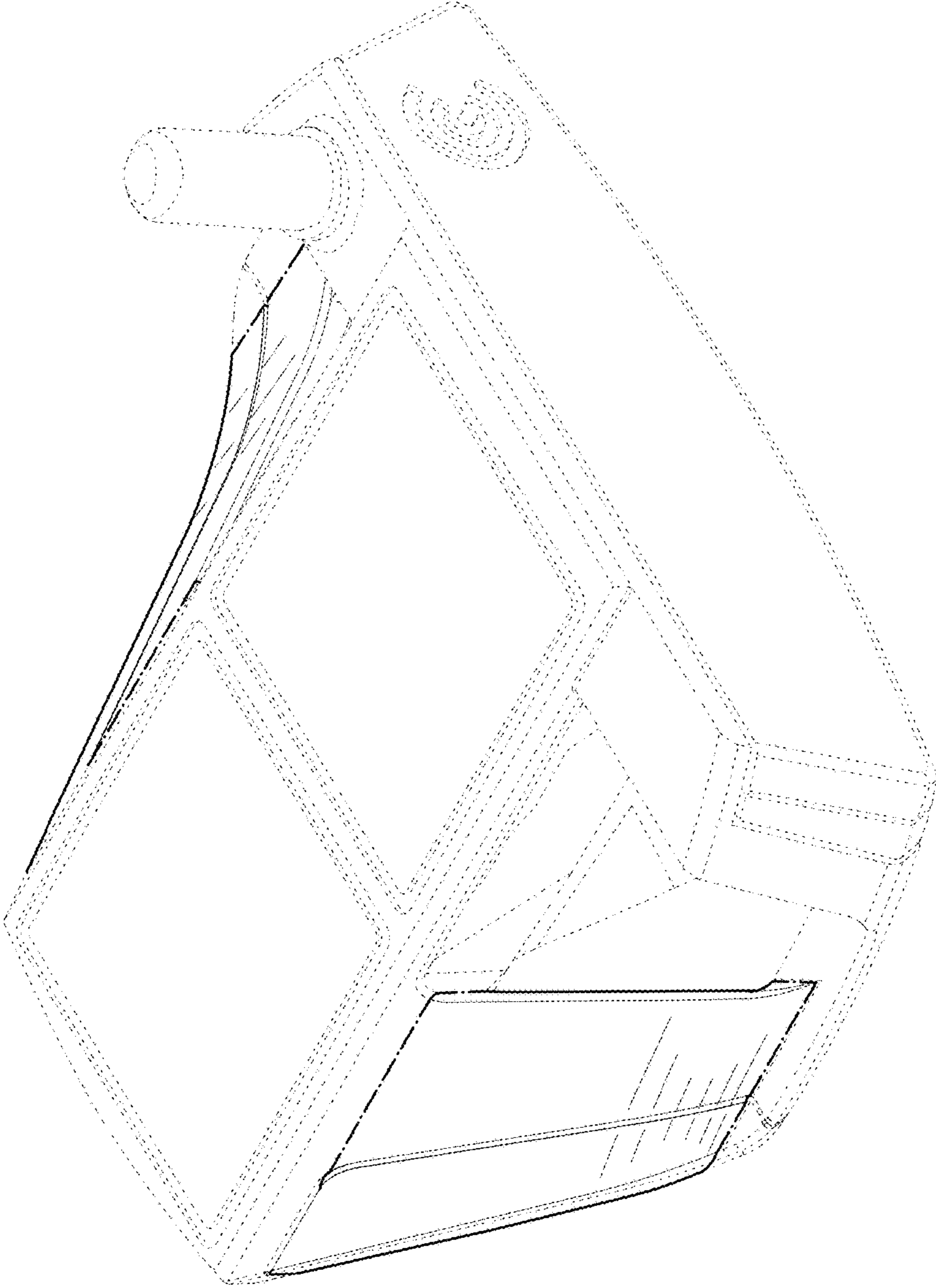


FIG. 8

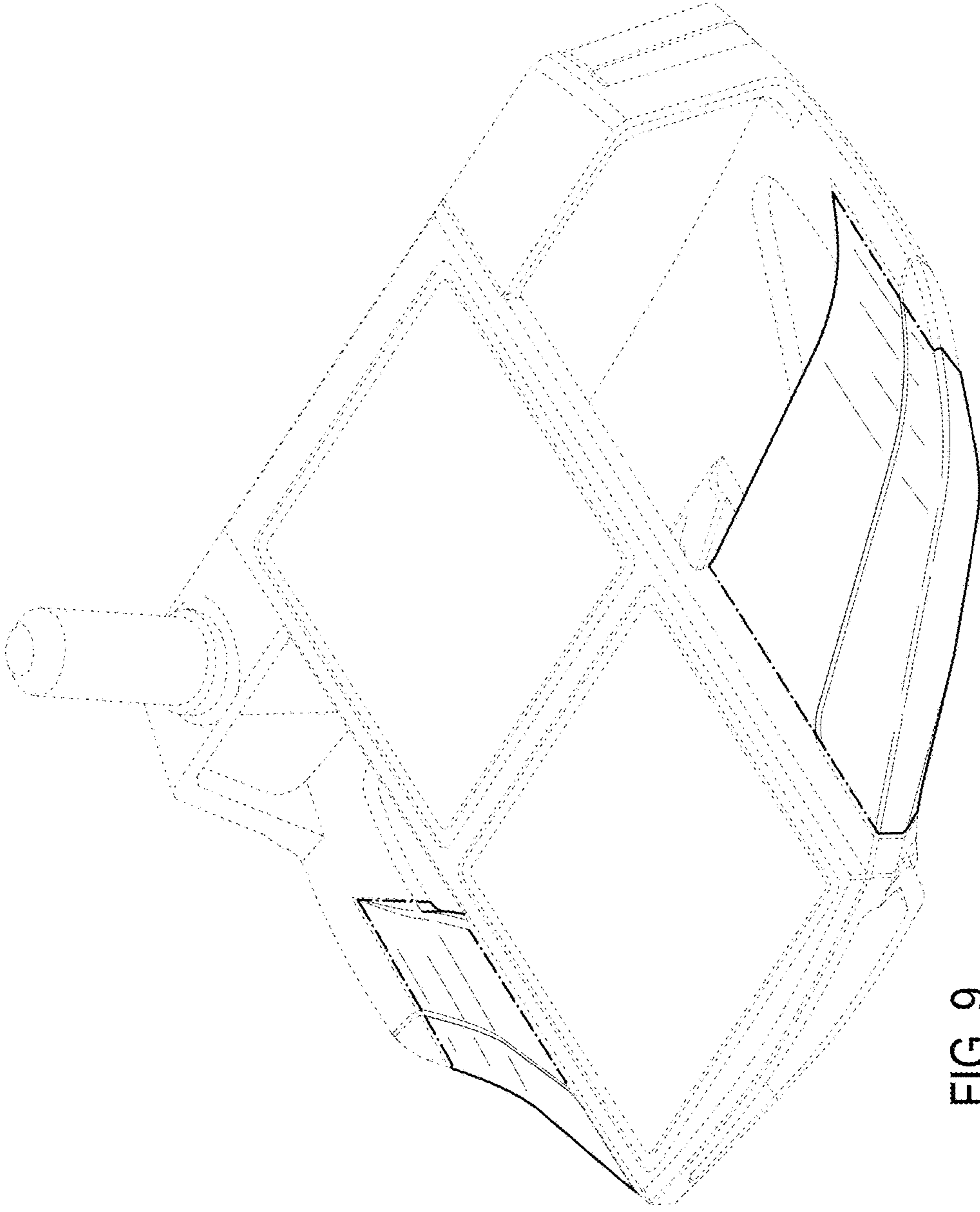


FIG. 9

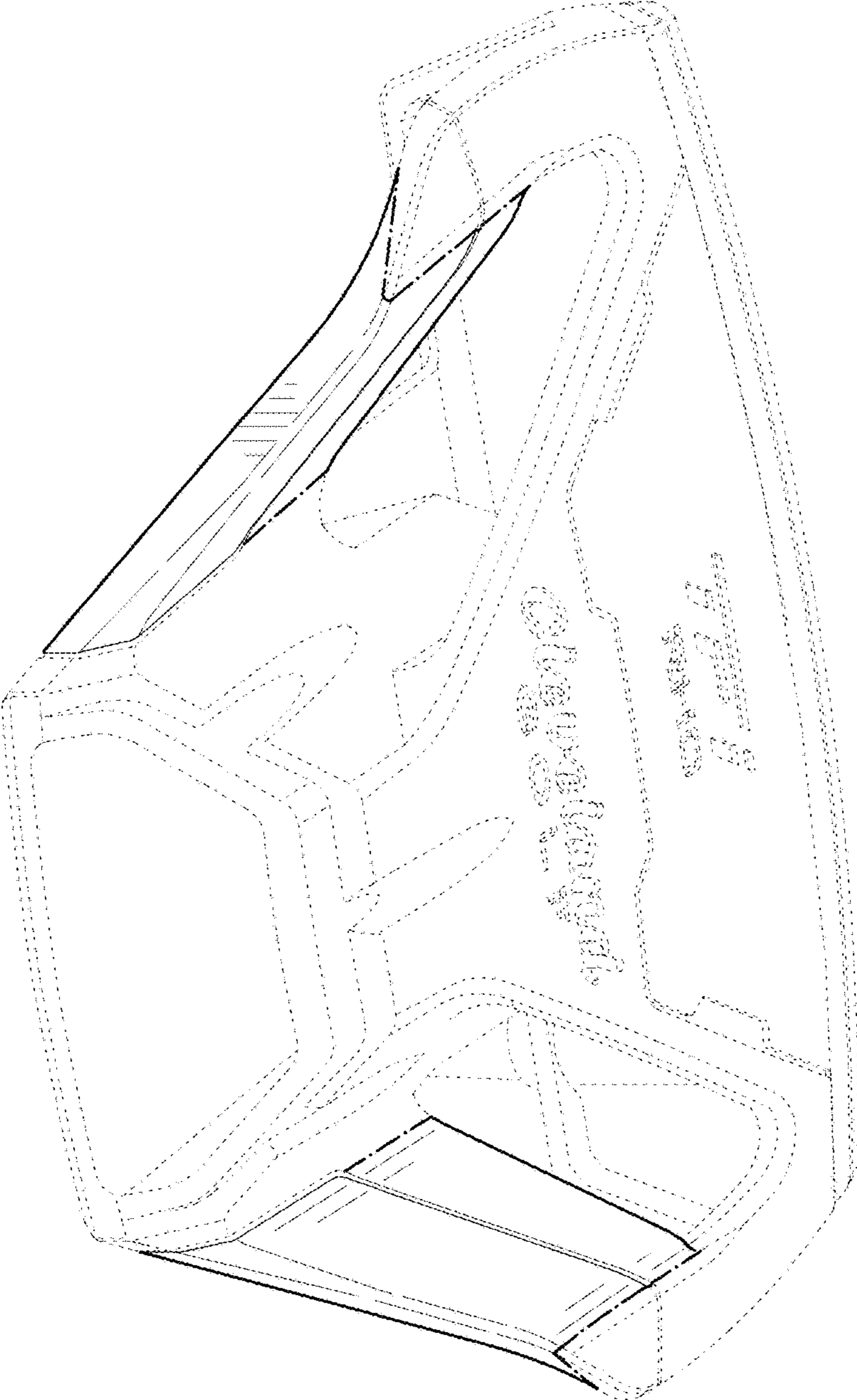


FIG. 10