



US00D777276S

(12) **United States Design Patent** (10) **Patent No.:** **US D777,276 S**  
**Dolezel** (45) **Date of Patent:** **\*\* Jan. 24, 2017**

(54) **GOLF CLUB HEAD**  
(71) Applicant: **DUNLOP SPORTS CO. LTD.**, Kobe (JP)  
(72) Inventor: **Keith Dolezel**, West Covina, CA (US)  
(73) Assignee: **DUNLOP SPORTS CO. LTD.**, Kobe (JP)  
(\*\*) Term: **15 Years**  
(21) Appl. No.: **29/541,395**  
(22) Filed: **Oct. 2, 2015**  
(51) **LOC (10) Cl.** ..... **21-02**  
(52) **U.S. Cl.**  
USPC ..... **D21/759**  
(58) **Field of Classification Search**  
USPC ..... D21/736-746, 759  
CPC ... A63B 53/065; A63B 53/0487; A63B 53/00;  
A63B 53/007; A63B 53/04  
See application file for complete search history.

D590,035 S \* 4/2009 Hilton ..... D21/744  
D591,372 S \* 4/2009 Tang ..... D21/743  
D594,517 S \* 6/2009 Tang ..... D21/736  
D595,793 S \* 7/2009 Rollinson ..... D21/736  
7,648,424 B2 1/2010 Hinojosa  
D623,710 S \* 9/2010 Hilton ..... D21/743  
D643,487 S \* 8/2011 Serrano ..... D21/742  
(Continued)

**OTHER PUBLICATIONS**

Nike Golf Method Converge M1-08 Putter. Information and images available at: <<http://www.golfwrx.com/246795/full-nike-2015-equipment-line>>, pp. 10-11. Oct. 1, 2014.

(Continued)

*Primary Examiner* — Mitchell Siegel  
(74) *Attorney, Agent, or Firm* — Oliff PLC

(57) **CLAIM**

The ornamental design for a golf club head, as shown and described.

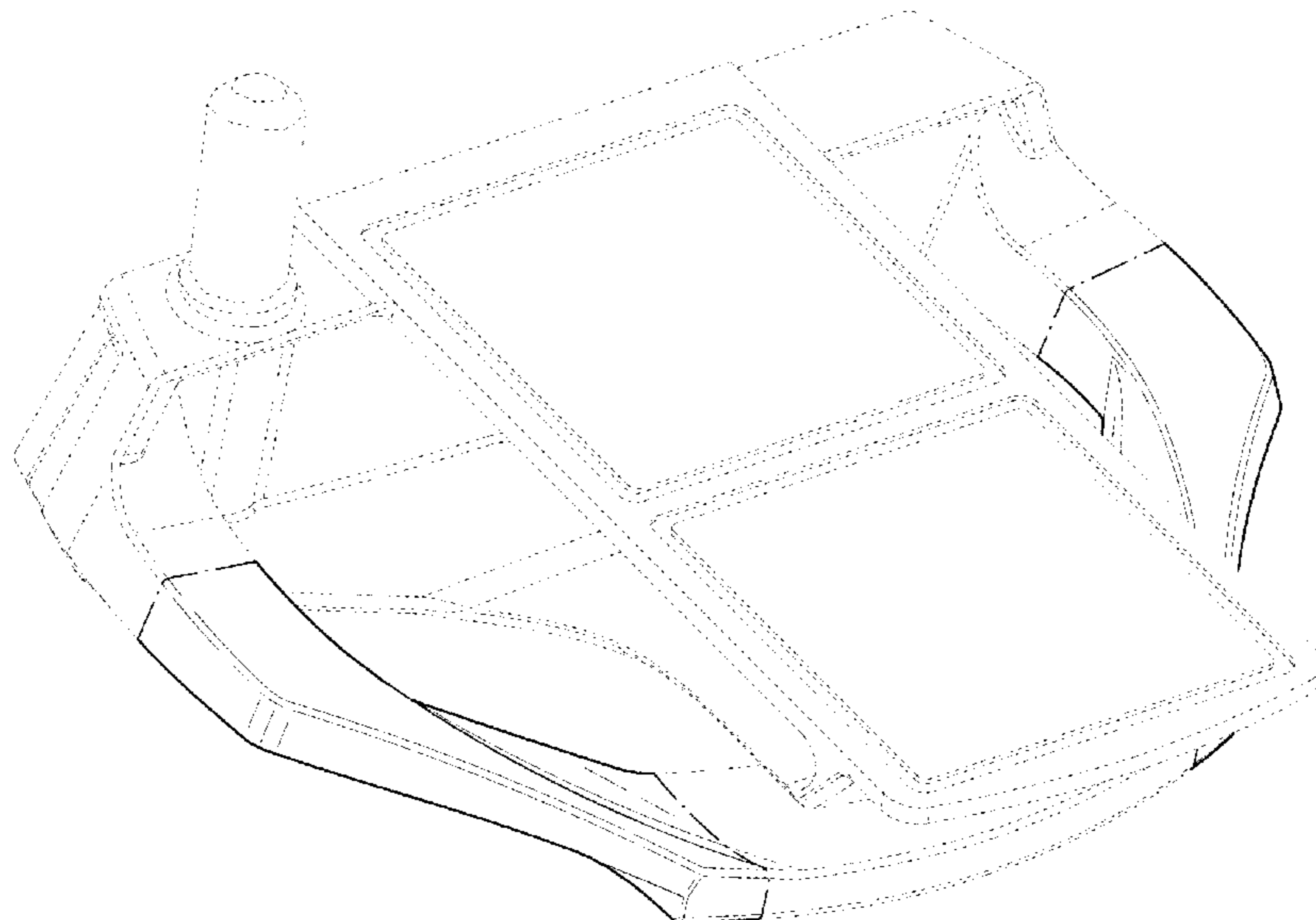
**DESCRIPTION**

FIG. 1 is a front, heel-side, top perspective view of the golf club head;  
FIG. 2 is a front elevational view thereof;  
FIG. 3 is a top plan view thereof;  
FIG. 4 is a toe-side elevational view thereof;  
FIG. 5 is a heel-side elevational view thereof;  
FIG. 6 is a rear elevational view thereof;  
FIG. 7 is a bottom plan view thereof; and,  
FIG. 8 is a rear, heel-side, top perspective view thereof.  
The dot-dash chain lines illustrate the boundaries of the claimed design and form no part of the claimed design. The broken lines illustrate environmental subject matter and form no part of the claimed design.

**1 Claim, 7 Drawing Sheets**

(56) **References Cited**  
U.S. PATENT DOCUMENTS

5,405,136	A	4/1995	Hardman	
5,464,212	A	11/1995	Cook	
5,766,093	A	6/1998	Rohrer	
5,944,619	A	8/1999	Cameron	
6,302,807	B1	10/2001	Rohrer	
6,375,583	B1	4/2002	Solheim	
6,680,822	B1	1/2004	Lin et al.	
D513,777	S *	1/2006	Cuellar	D21/759
7,175,540	B2	2/2007	Sano	
D571,879	S *	6/2008	Jones	D21/736
D572,780	S *	7/2008	Rollinson	D21/744
D574,907	S *	8/2008	Jones	D21/736
D575,366	S *	8/2008	Rollinson	D21/744
7,455,599	B2	11/2008	Jones	



(56)

**References Cited**

## U.S. PATENT DOCUMENTS

D709,971 S \* 7/2014 Trahan ..... D21/759  
D709,973 S \* 7/2014 Trahan ..... D21/759  
8,771,098 B2 7/2014 Hilton  
D710,469 S \* 8/2014 Trahan ..... D21/759  
D710,470 S \* 8/2014 Trahan ..... D21/759  
8,834,285 B2 9/2014 Franklin et al.  
D730,462 S \* 5/2015 Becktor ..... D21/742  
D730,463 S \* 5/2015 Dolezel ..... D21/742  
D732,120 S \* 6/2015 Becktor ..... D21/742  
D732,121 S \* 6/2015 Trahan ..... D21/742  
D732,122 S \* 6/2015 Becktor ..... D21/742  
D732,618 S \* 6/2015 Becktor ..... D21/742  
D733,233 S 6/2015 Dolezel et al.  
D757,193 S \* 5/2016 Dolezel ..... D21/759  
2012/0149492 A1 6/2012 Del Rosario et al.  
2014/0194220 A1 7/2014 Hocknell et al.

## OTHER PUBLICATIONS

Nike Method Converge B1-01 Putter. Information and images available at: <<http://www.golfwrx.com/246795/full-nike-2015-equipment-line>>. Oct. 1, 2014.

Nike Method Converge S1-12 Putter. Information and images available at: <<http://www.golfwrx.com/246795/full-nike-2015-equipment-line>>. Oct. 1, 2014.

Cobra Golf Payday putter. Information and images available at: <[http://valueguide.pga.com/detail-exec/brand/2678/product\\_type/206/model/44329/b/Cobra/p/Putter/m/Payday%20Mallet](http://valueguide.pga.com/detail-exec/brand/2678/product_type/206/model/44329/b/Cobra/p/Putter/m/Payday%20Mallet)>. Nov. 26, 2007.

Cobra Golf Bobby Grace Cute Kid Putter. Information and images available at: <[https://valueguide.pga.com/detail-exec/brand/2678/product\\_type/206/model/43637/b/Cobra/p/Putter/m/Bobby%20Grace%20The%20Cute%20Kid](https://valueguide.pga.com/detail-exec/brand/2678/product_type/206/model/43637/b/Cobra/p/Putter/m/Bobby%20Grace%20The%20Cute%20Kid)>; Nov. 26, 2007.

\* cited by examiner

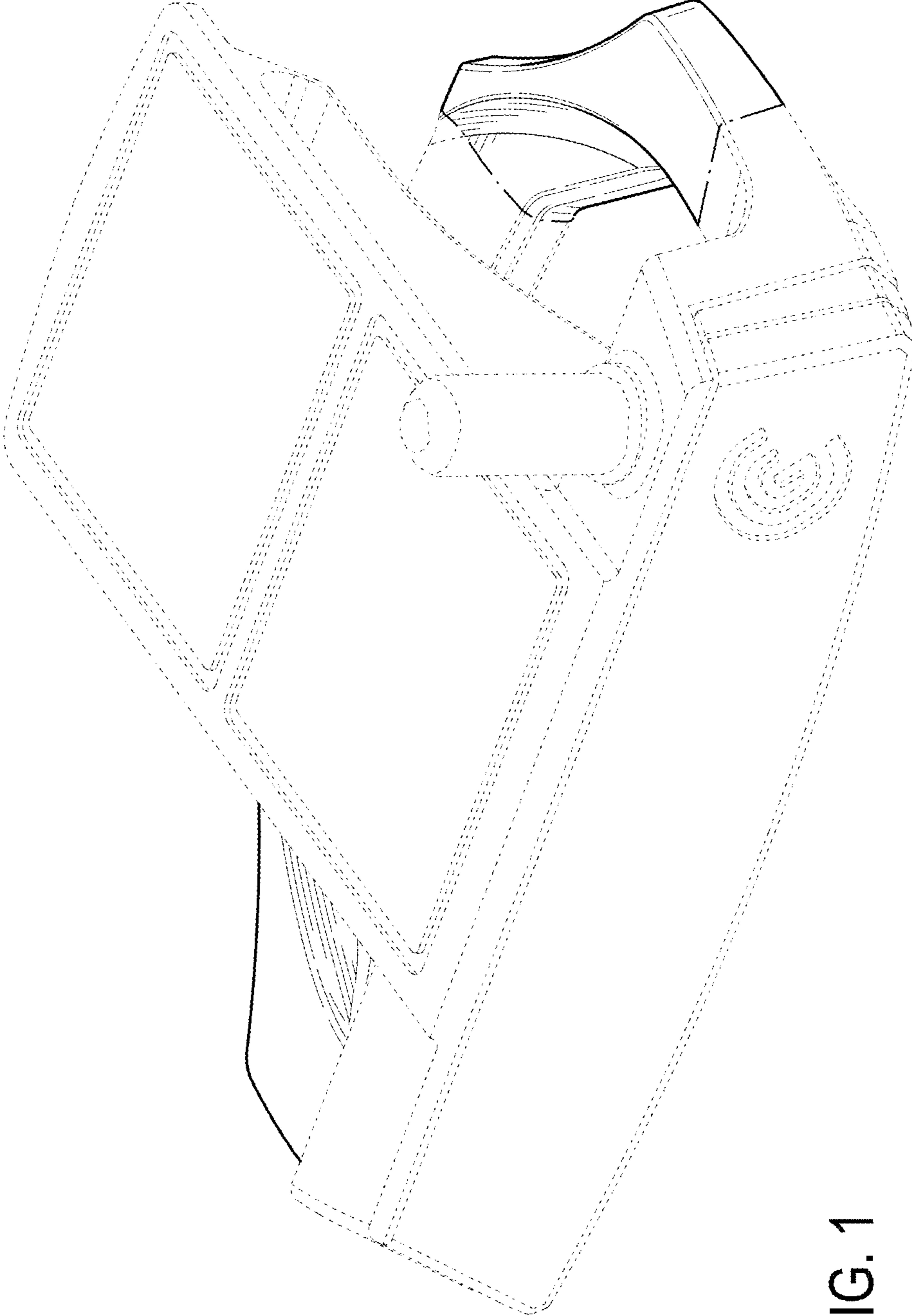


FIG. 1

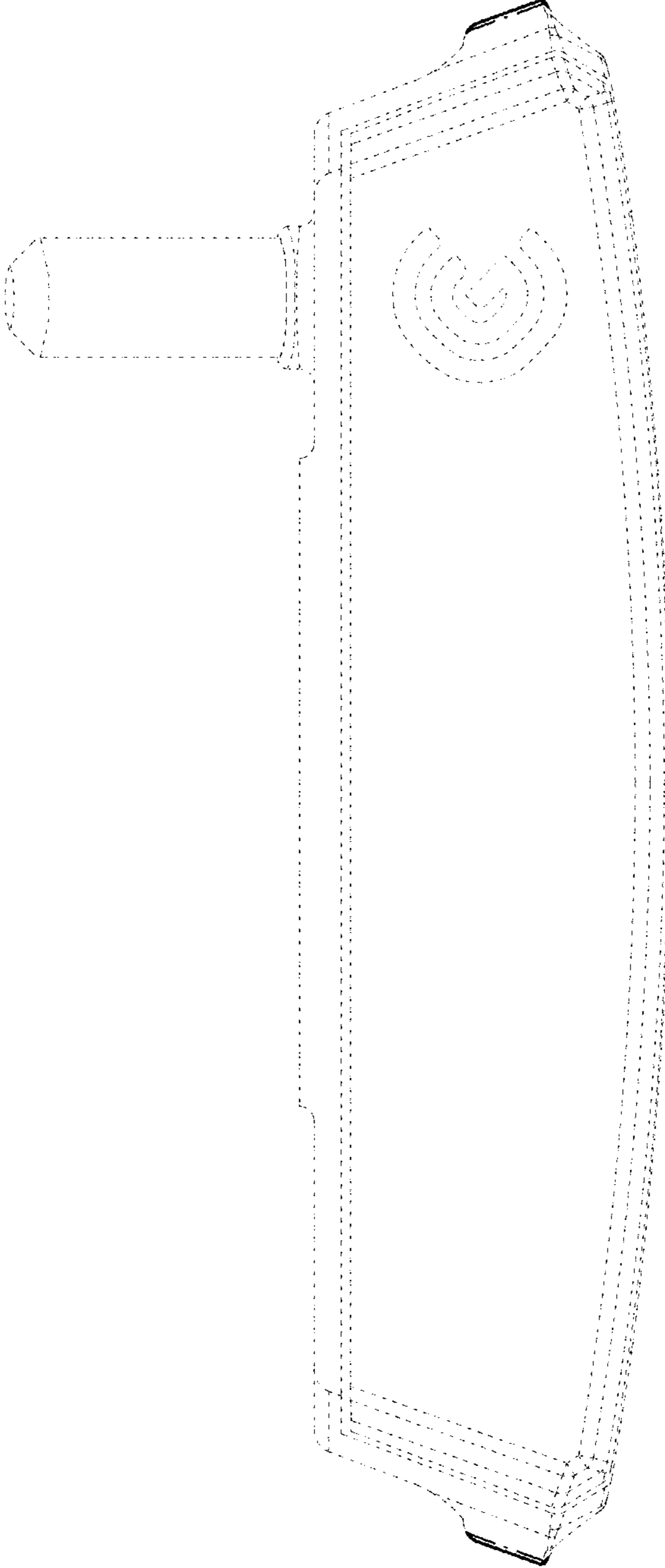


FIG. 2

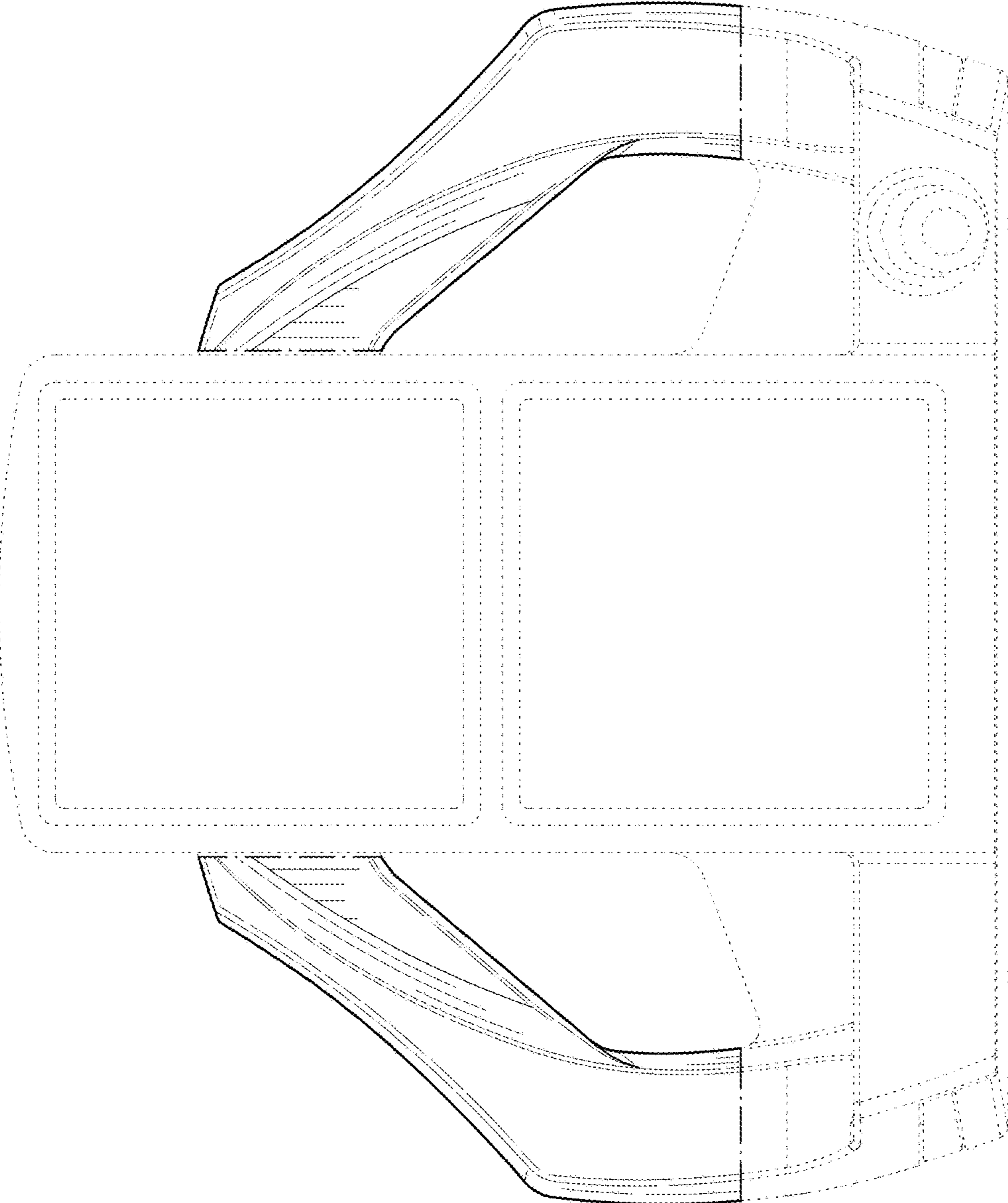


FIG. 3

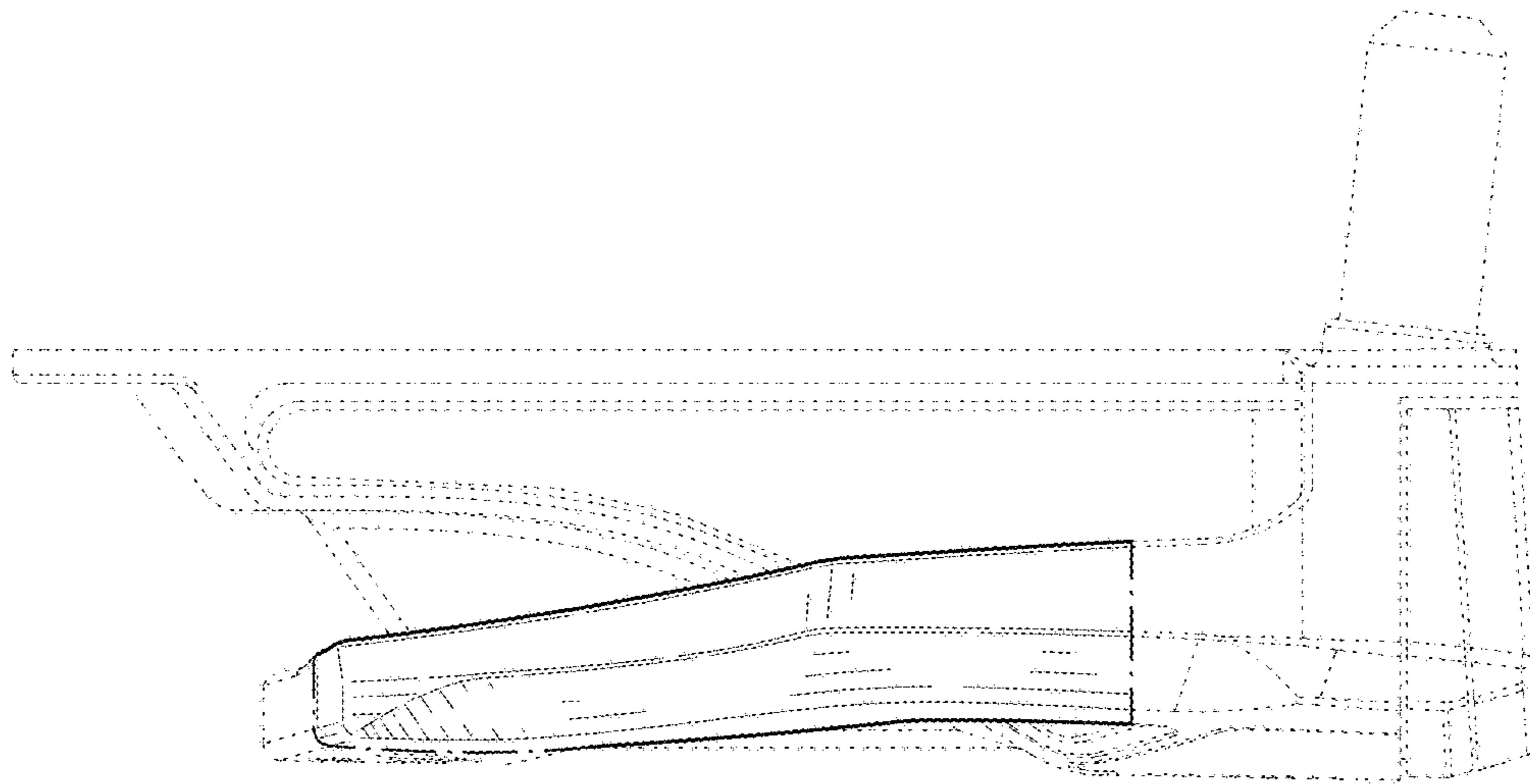


FIG. 4

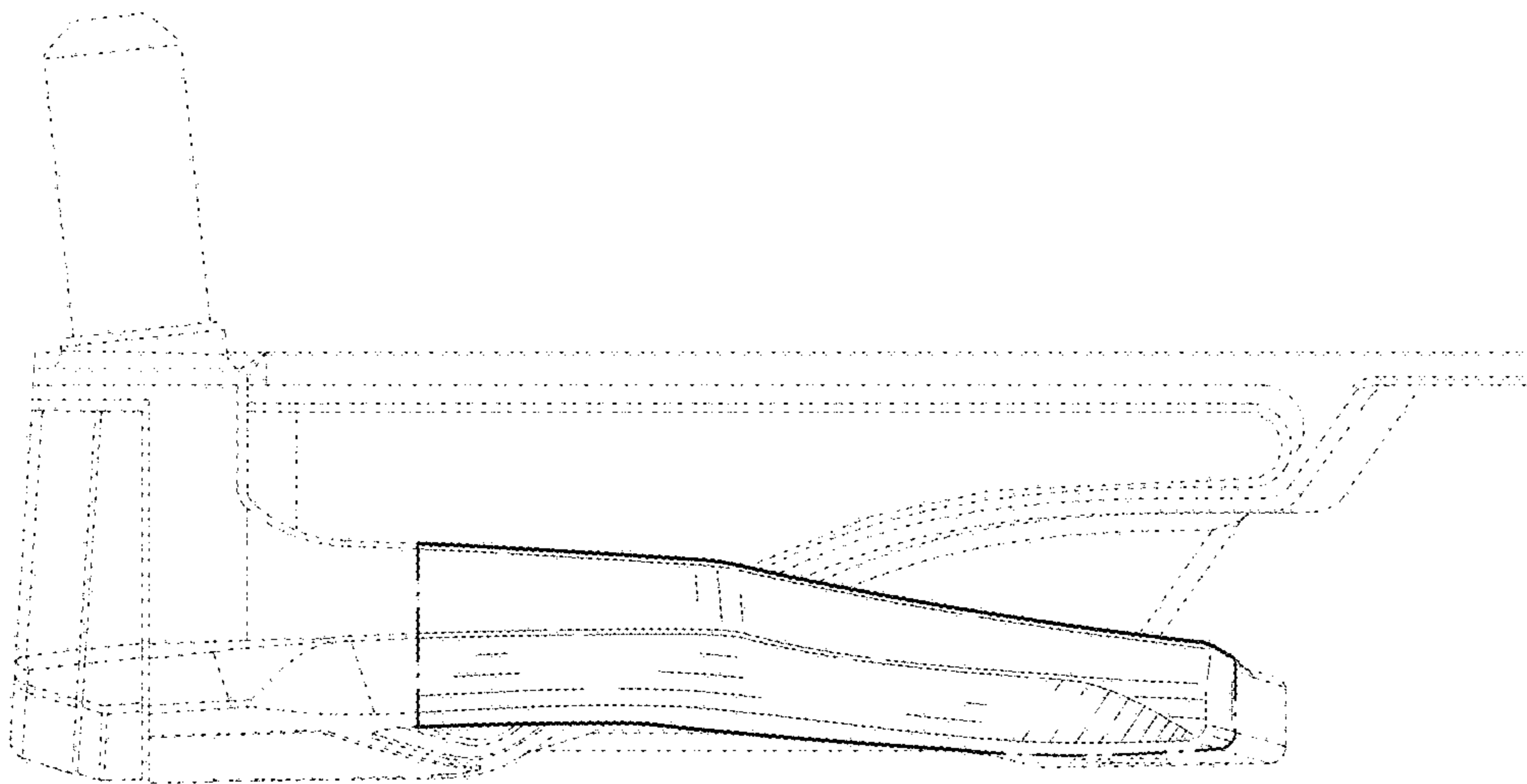


FIG. 5

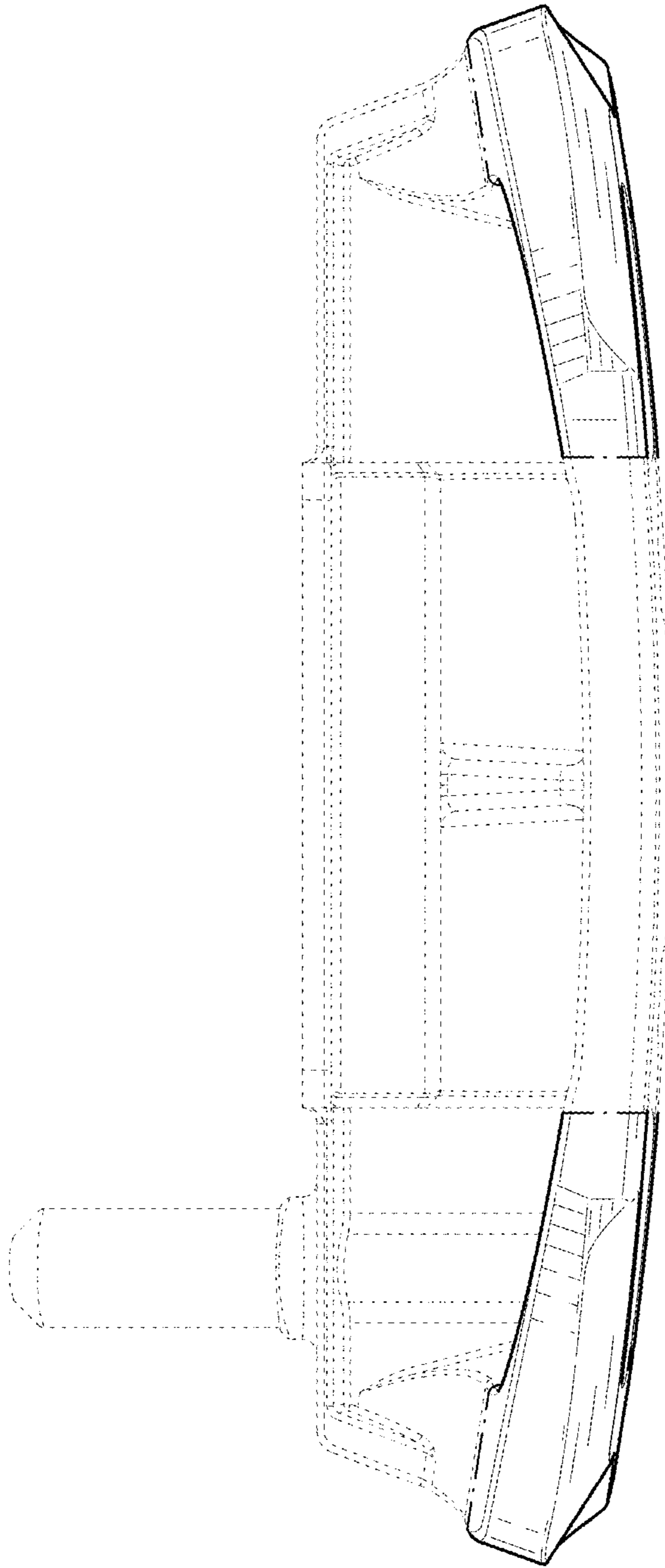


FIG. 6

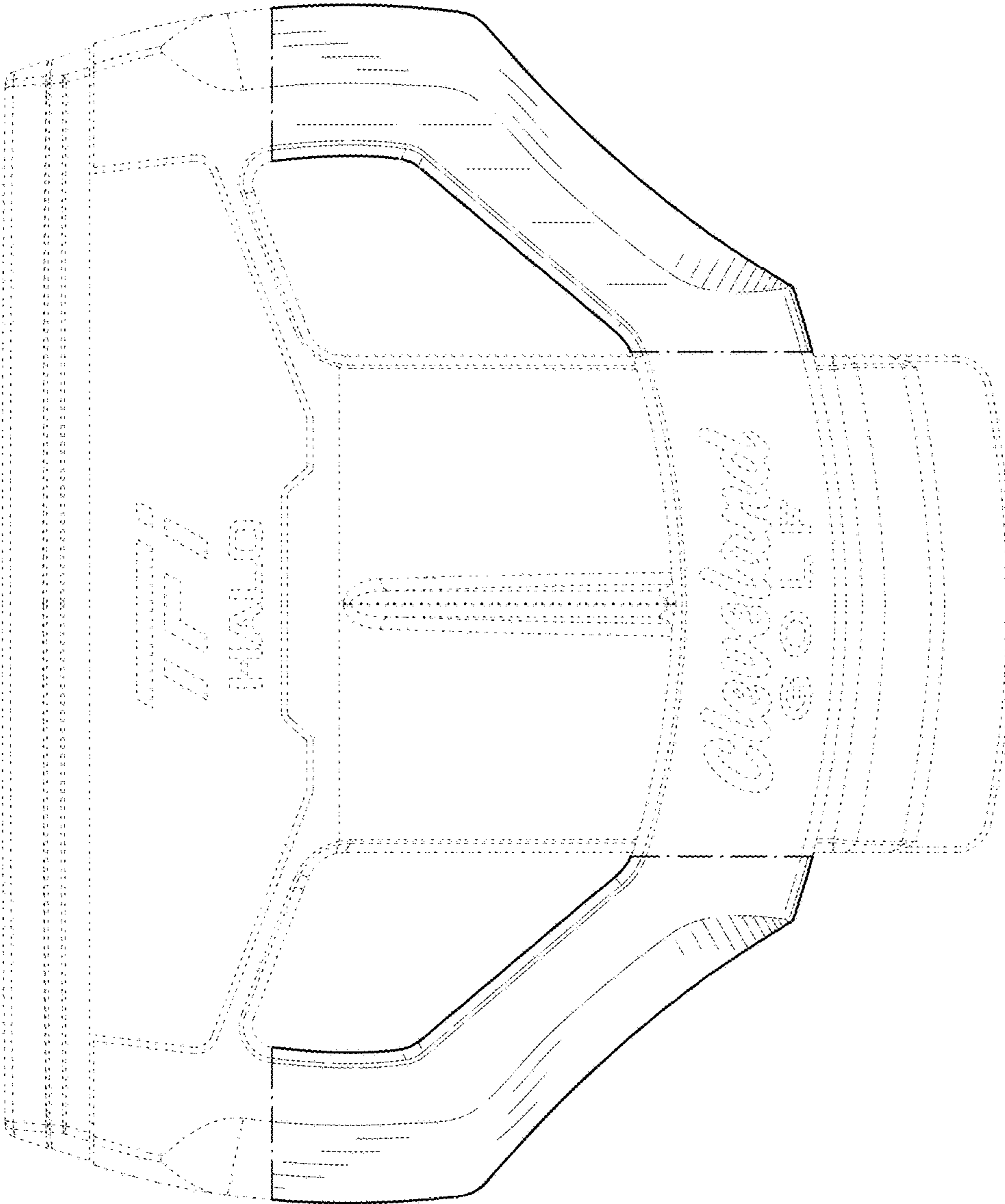


FIG. 7





FIG. 8