



US00D777275S

(12) **United States Design Patent**
Seagram

(10) **Patent No.:** **US D777,275 S**

(45) **Date of Patent:** **** Jan. 24, 2017**

(54) **GOLF CLUB HEAD**

(71) Applicant: **DUNLOP SPORTS CO. LTD.**, Kobe (JP)

(72) Inventor: **Phillip C. Seagram**, Long Beach, CA (US)

(73) Assignee: **DUNLOP SPORTS CO. LTD.**, Kobe (JP)

(**) Term: **15 Years**

(21) Appl. No.: **29/541,370**

(22) Filed: **Oct. 2, 2015**

(51) **LOC (10) Cl.** **21-02**

(52) **U.S. Cl.**
USPC **D21/759**

(58) **Field of Classification Search**
USPC D21/736-746, 759
CPC ... A63B 53/065; A63B 53/0487; A63B 53/00;
A63B 53/007; A63B 53/04

See application file for complete search history.

(56) **References Cited**

U.S. PATENT DOCUMENTS

5,405,136	A	4/1995	Hardman	
5,464,212	A	11/1995	Cook	
5,766,093	A	6/1998	Rohrer	
5,944,619	A	8/1999	Cameron	
6,302,807	B1	10/2001	Rohrer	
6,375,583	B1	4/2002	Solheim	
6,680,822	B1	1/2004	Lin et al.	
7,175,540	B2	2/2007	Sano	
7,455,599	B2	11/2008	Jones	
D594,521	S *	6/2009	Jertson	D21/759
D596,252	S *	7/2009	Jertson	D21/752
7,648,424	B2	1/2010	Hinojosa	
D661,754	S *	6/2012	Cameron	D21/759

D707,771	S *	6/2014	Cameron	D21/759
8,771,098	B2	7/2014	Hilton	
8,834,285	B2	9/2014	Franklin et al.	
D730,462	S	5/2015	Becktor et al.	
D730,463	S	5/2015	Dolezel et al.	
D730,465	S *	5/2015	Cameron	D21/759
D732,120	S	6/2015	Becktor et al.	

(Continued)

OTHER PUBLICATIONS

Nike Golf Method Converge M1-08 Putter. Information and images available at: <<http://www.golfwrx.com/246795/full-nike-2015-equipment-line>>, pp. 10-11. Oct. 1, 2014.

(Continued)

Primary Examiner — Mitchell Siegel

(74) *Attorney, Agent, or Firm* — Oliff PLC

(57) **CLAIM**

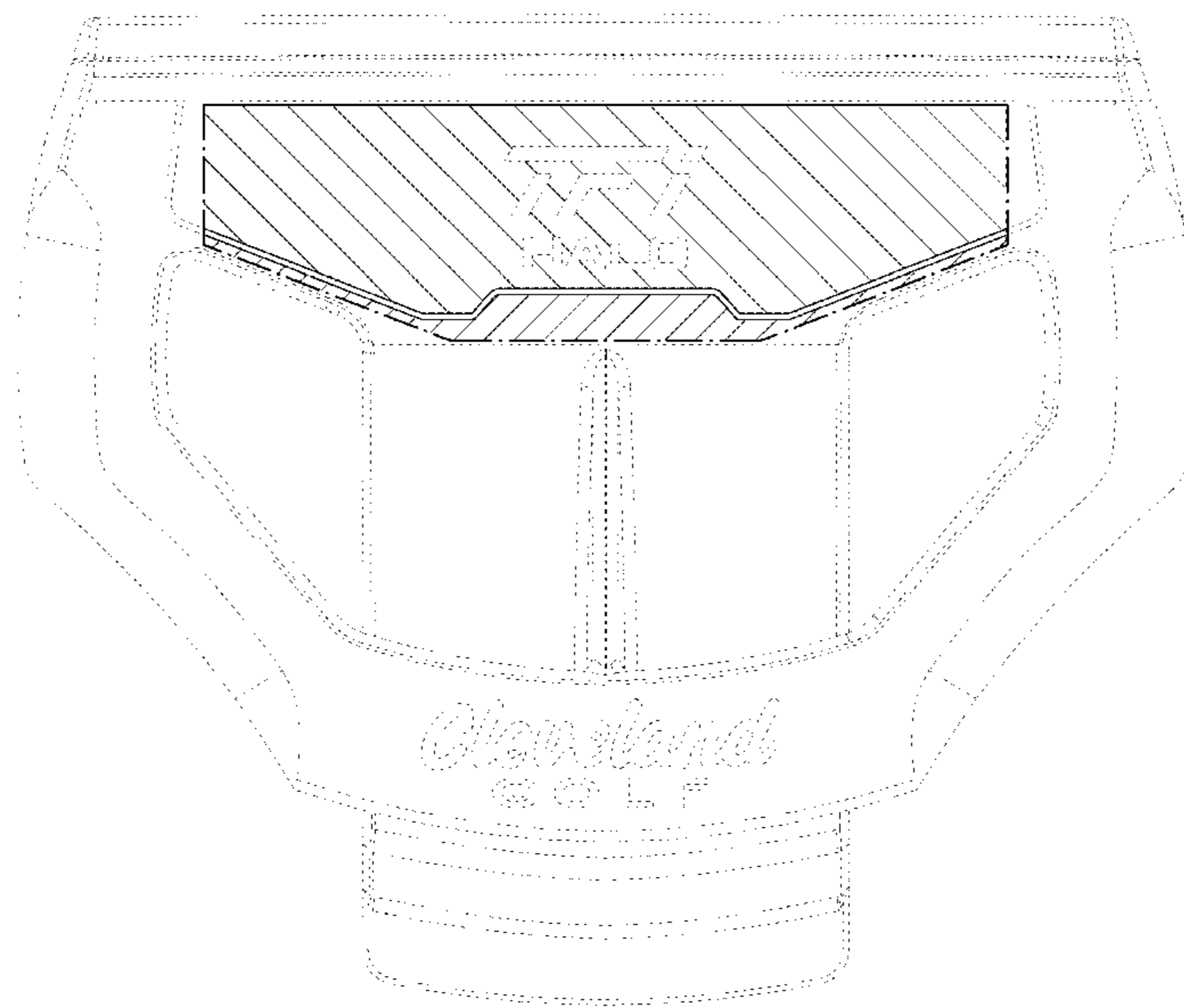
The ornamental design for a golf club head, as shown and described.

DESCRIPTION

FIG. 1 is a bottom plan view of the golf club head; FIG. 2 is a toe-side elevational view thereof; FIG. 3 is a heel-side elevational view thereof; FIG. 4 is a rear elevational view thereof; and, FIG. 5 is a cross-sectional view thereof taken along line 5-5 in FIG. 4.

The dot-dash chain lines illustrate the boundaries of the claimed design and form no part of the claimed design. The broken lines illustrate environmental subject matter and form no part of the claimed design. The two solid-line crosshatch patterns each represent an area having a different surface texture, surface treatment, color, and/or material from the other.

1 Claim, 4 Drawing Sheets



(56)

References Cited

U.S. PATENT DOCUMENTS

D732,121 S 6/2015 Trahan et al.
D732,122 S 6/2015 Becktor
D732,618 S 6/2015 Becktor et al.
D733,233 S 6/2015 Dolezel et al.
D762,274 S * 7/2016 Cardani D21/759
D764,611 S * 8/2016 Cardani D21/759
2012/0149492 A1 6/2012 Del Rosario et al.
2014/0194220 A1 7/2014 Hocknell et al.

OTHER PUBLICATIONS

Nike Method Converge B1-01 Putter. Information and images available at: <<http://www.golfwrx.com/246795/full-nike-2015-equipment-line>>. Oct. 1, 2014.

Nike Method Converge S1-12 Putter. Information and images available at: <<http://www.golfwrx.com/246795/full-nike-2015-equipment-line>>. Oct. 1, 2014.

Cobra Golf Payday putter. Information and images available at: <http://valueguide.pga.com/detail-exec/brand/2678/product_type/206/model/44329/b/Cobra/p/Putter/m/Payday%20Mallet>. Nov. 26, 2007.

Cobra Golf Bobby Grace Cute Kid Putter. Information and images available at: <https://valueguide.pga.com/detail-exec/brand/2678/product_type/206/model/43637/b/Cobra/p/Putter/m/Bobby%20Grace%20The%20Cute%20Kid>. Nov. 26, 2007.

* cited by examiner

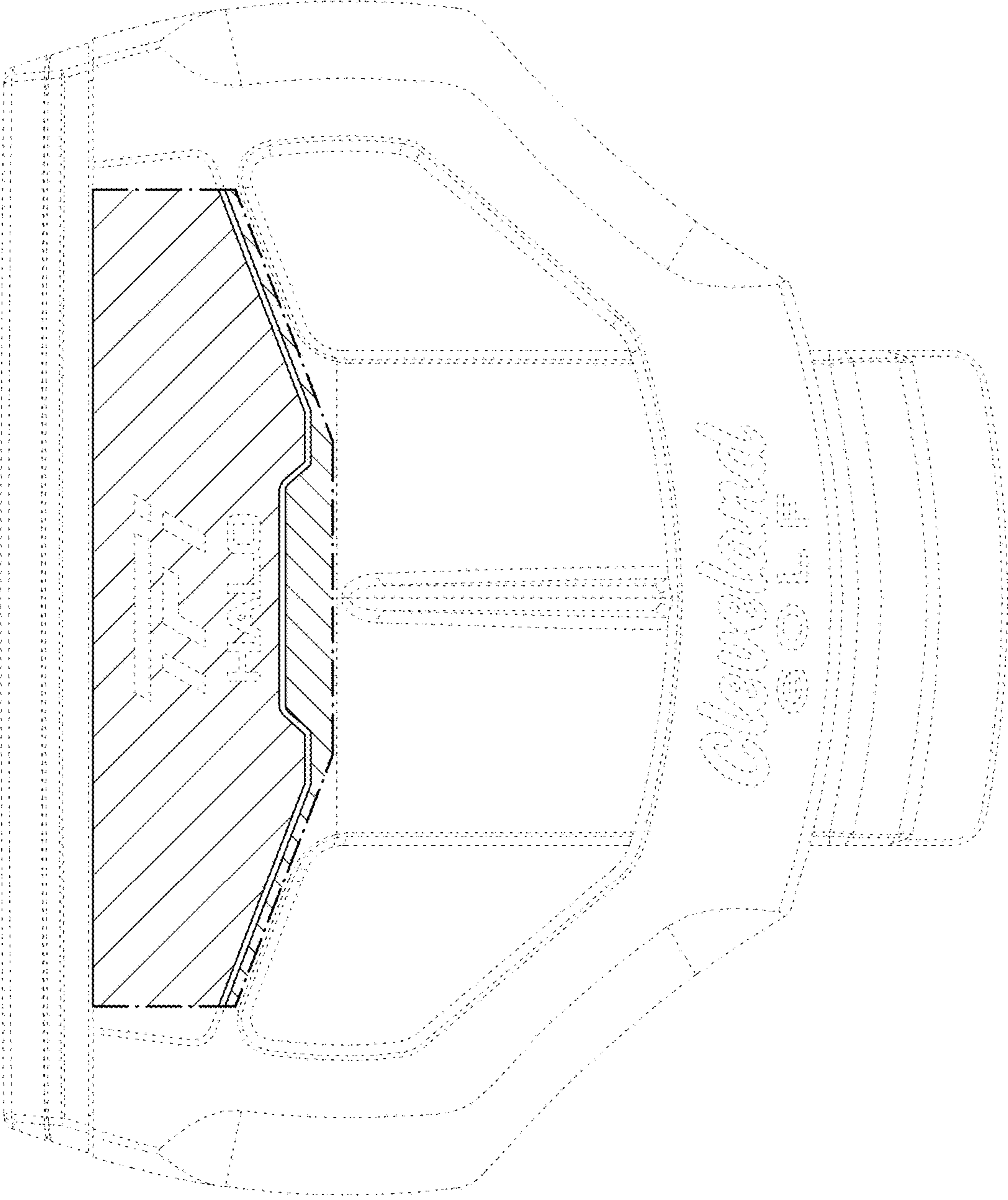


FIG. 1

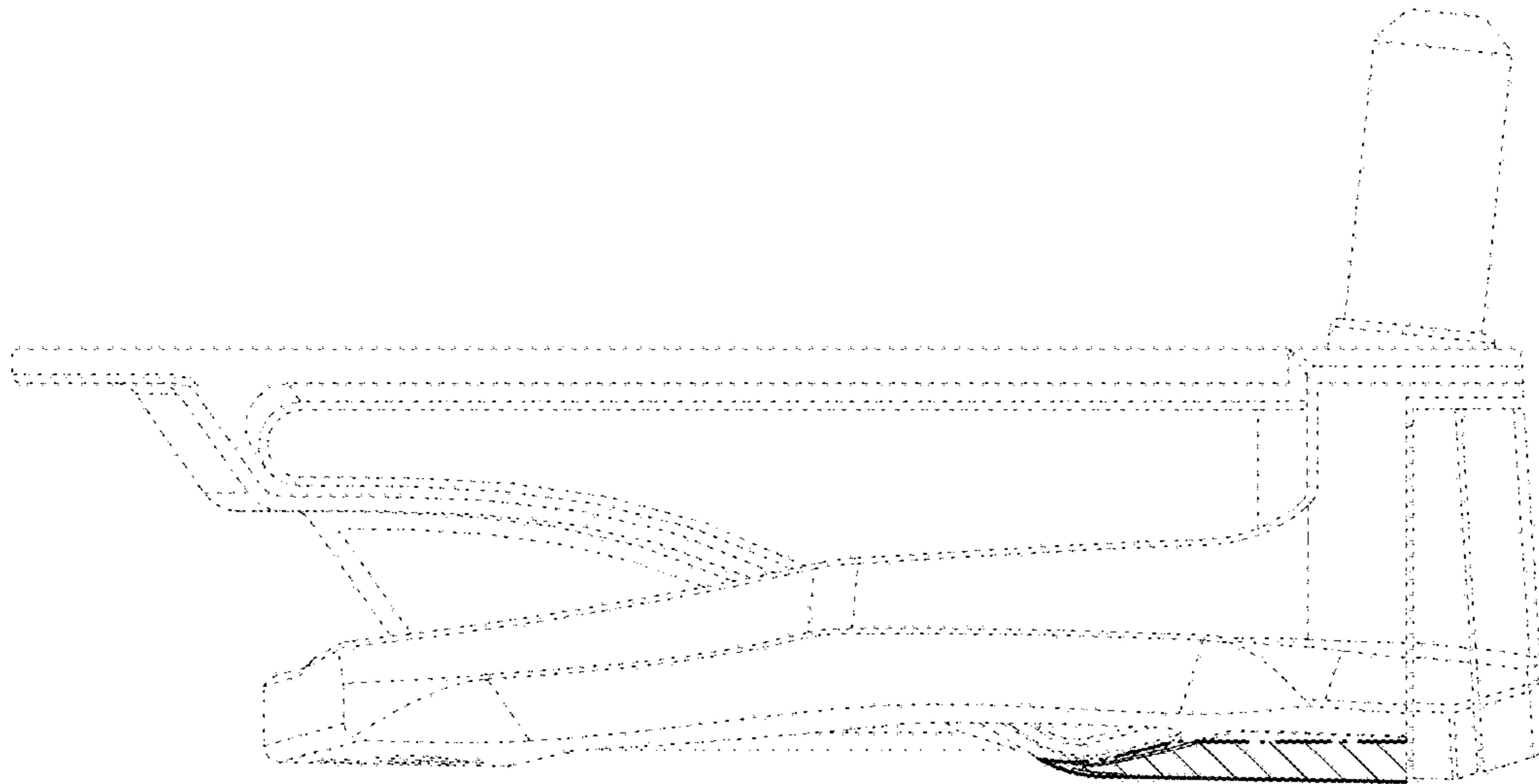


FIG. 2

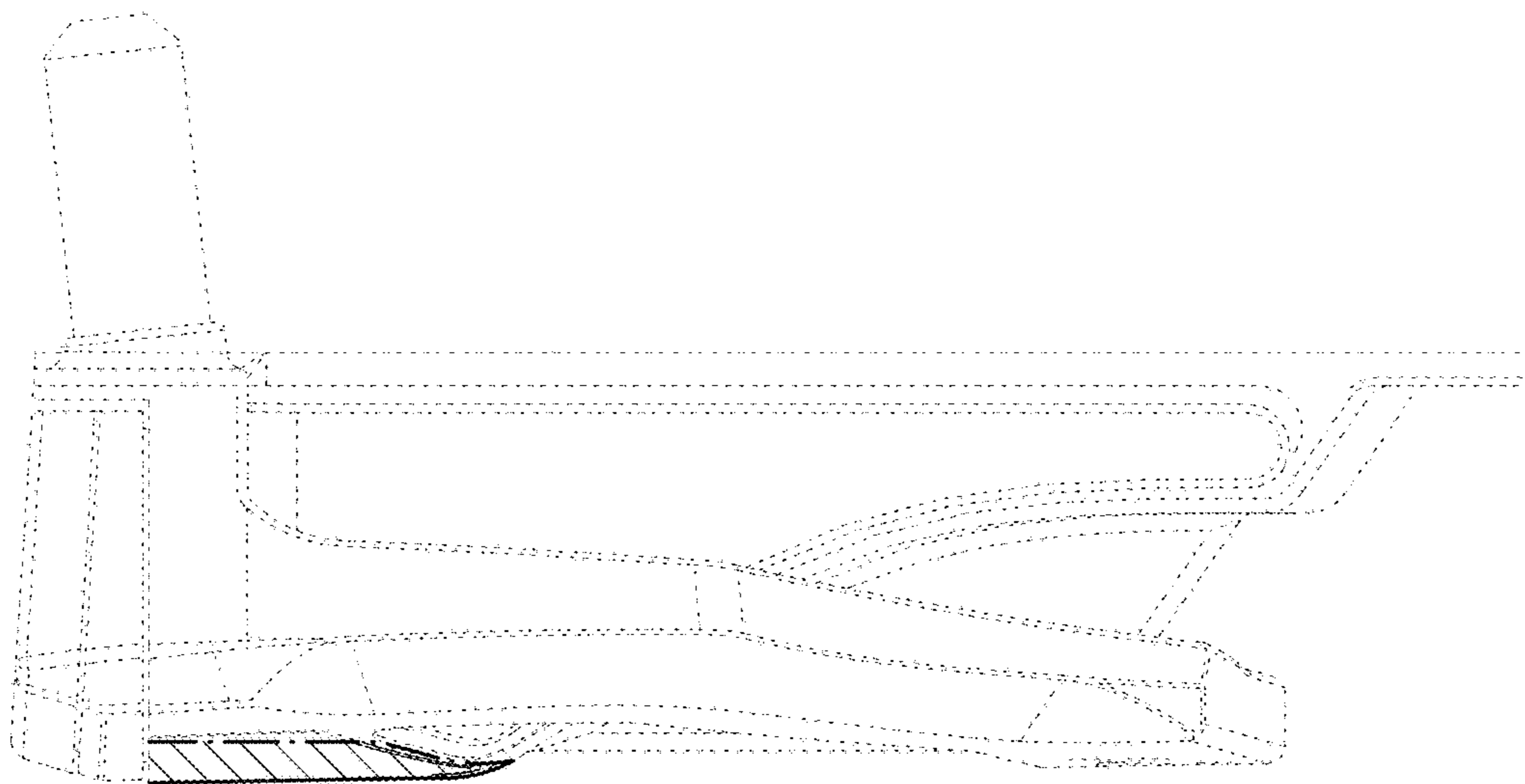


FIG. 3

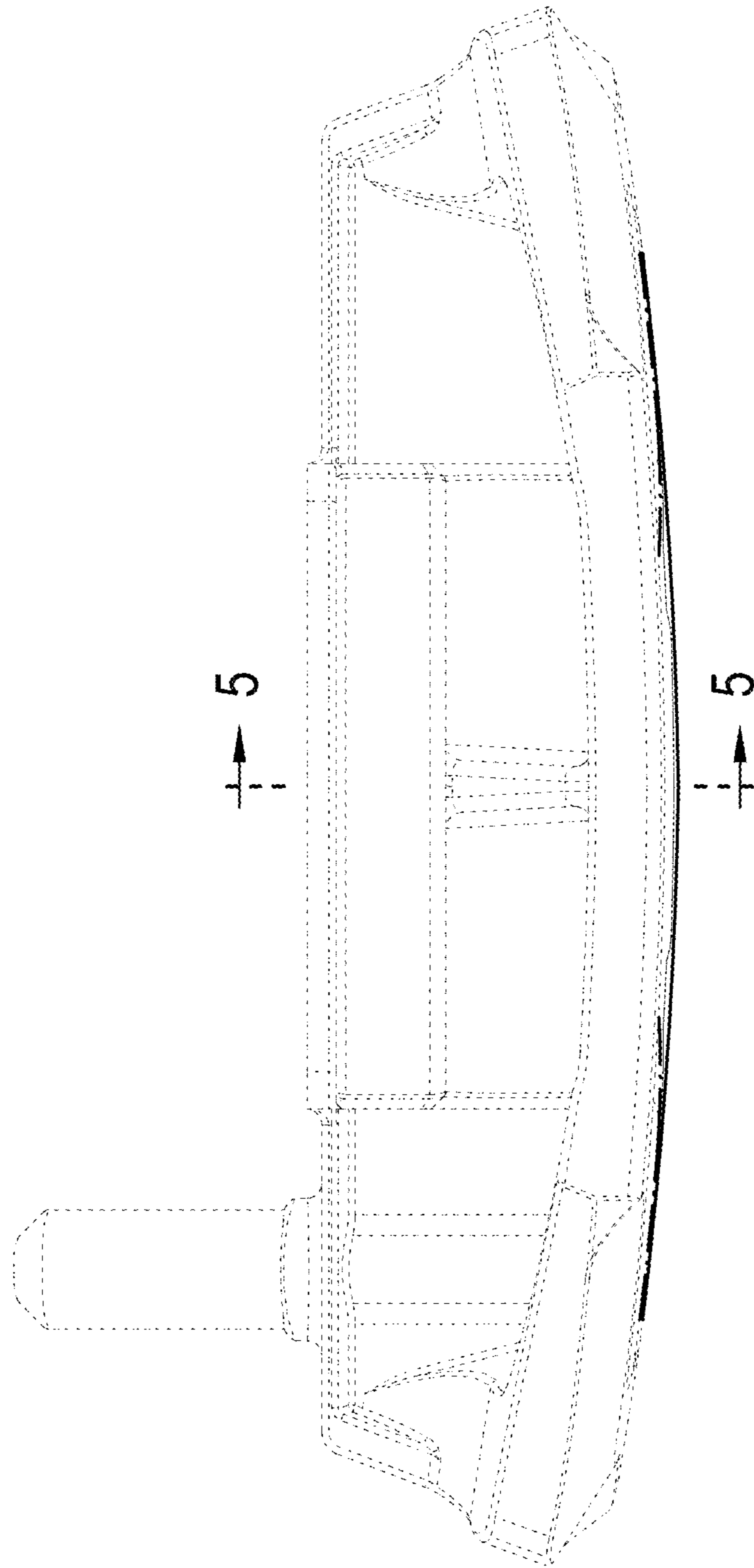


FIG. 4

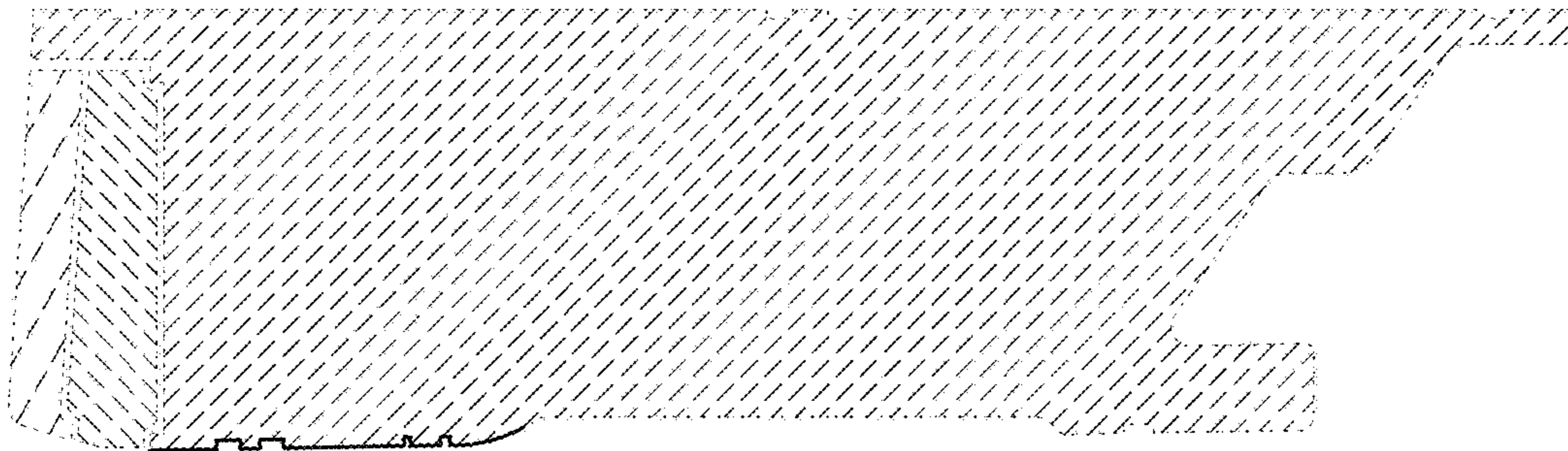


FIG. 5