

US00D777272S

(12) **United States Design Patent** (10) **Patent No.:** **US D777,272 S**  
**Serrano et al.** (45) **Date of Patent:** **\*\* Jan. 24, 2017**

(54) **GOLF CLUB HEAD**  
(71) Applicant: **KARSTEN MANUFACTURING CORPORATION**, Phoenix, AZ (US)  
(72) Inventors: **Anthony D. Serrano**, Anthem, AZ (US); **Xiaojian Chen**, Phoenix, AZ (US)  
(73) Assignee: **Karsten Manufacturing Corporation**, Phoenix, AZ (US)  
(\*\*) Term: **14 Years**  
(21) Appl. No.: **29/497,943**  
(22) Filed: **Jul. 30, 2014**  
(51) **LOC (10) Cl.** ..... **21-02**  
(52) **U.S. Cl.**  
USPC ..... **D21/759**  
(58) **Field of Classification Search**  
USPC ..... D21/736-746, 759  
CPC ..... A63B 53/00; A63B 53/04; A63B 53/007;  
A63B 53/065; A63B 53/0487  
See application file for complete search history.

(56) **References Cited**  
U.S. PATENT DOCUMENTS  
1,993,928 A 3/1935 Glover  
2,041,676 A 5/1936 Gallagher  
2,756,055 A 7/1956 Bittner  
D248,179 S 6/1978 Riley  
4,139,196 A 2/1979 Riley  
D307,783 S 5/1990 Iinuma  
5,221,086 A 6/1993 Antonious  
5,310,186 A 5/1994 Karsten  
5,335,914 A 8/1994 Long  
D352,755 S 11/1994 Cornish, III  
D357,290 S 4/1995 Viollaz

5,547,188 A 8/1996 Dumontier  
D379,391 S 5/1997 Moore  
5,658,206 A 8/1997 Antonious  
D383,511 S 9/1997 Lo  
5,795,245 A 8/1998 Chang  
D398,682 S 9/1998 Moore  
D402,340 S 12/1998 Sheets  
D404,098 S 1/1999 Ishikawa  
(Continued)

**OTHER PUBLICATIONS**

Michael R. Nicolette, et. al, "Golf Club Head," U.S. Appl. No. 29/467,884, filed Sep. 24, 2013.  
(Continued)

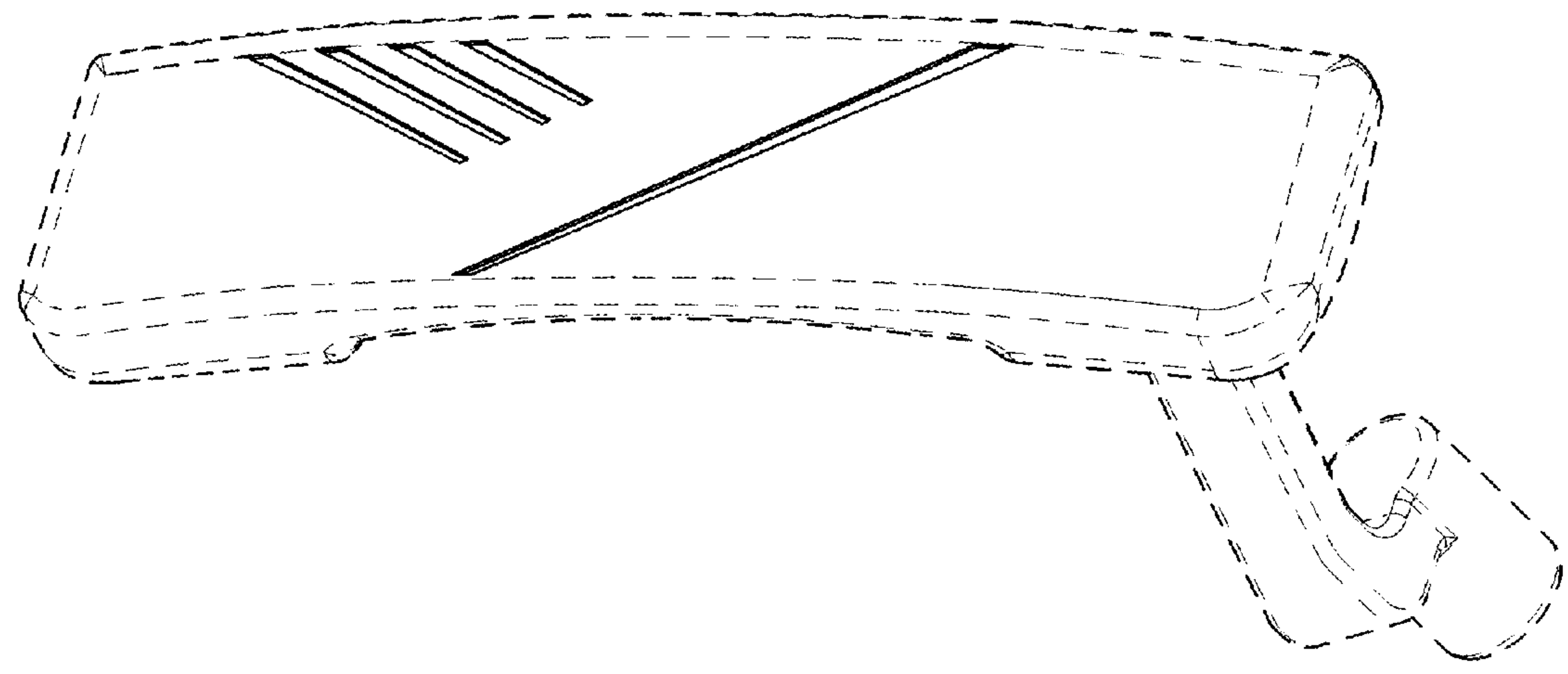
*Primary Examiner* — Mitchell Siegel

(57) **CLAIM**  
The ornamental design for a golf club head, as shown and described.

**DESCRIPTION**

FIG. 1 is a top perspective view of a golf club head;  
FIG. 2 is a bottom perspective view of the golf club head of FIG. 1;  
FIG. 3 is a front elevational view of the golf club head of FIG. 1;  
FIG. 4 is a rear elevational view of the golf club head of FIG. 1;  
FIG. 5 is a top view of the golf club head of FIG. 1;  
FIG. 6 is a bottom view of the golf club head of FIG. 1;  
FIG. 7 is a left side view of the golf club head of FIG. 1; and,  
FIG. 8 is a right side view of the golf club head of FIG. 1.  
The broken lines shown in one or more of the figures are for illustrative purposes only and form no part of the claimed design.

**1 Claim, 4 Drawing Sheets**



(56)

References Cited

U.S. PATENT DOCUMENTS

5,980,394	A	11/1999	Domas	D569,934	S	5/2008	Jertson
D418,888	S	1/2000	Williams	D569,935	S	5/2008	Schweigert
D425,589	S	5/2000	Ishikawa	D569,936	S	5/2008	Schweigert
D426,604	S	6/2000	Besnard	D569,937	S	5/2008	Sanchez
6,074,310	A	6/2000	Ota	D569,938	S	5/2008	Sanchez
6,080,069	A	6/2000	Long	D570,937	S	6/2008	Schweigert
D433,073	S	10/2000	Sodano	D570,938	S	6/2008	Jertson
D441,818	S	5/2001	Sato	D570,939	S	6/2008	Chen
D442,245	S	5/2001	Roach	D570,940	S	6/2008	Chen
D445,470	S	7/2001	Teramoto	D570,941	S	6/2008	Chen
D446,268	S	8/2001	Satoh	D571,882	S	6/2008	Soracco
D446,563	S	8/2001	Besnard	D572,324	S	7/2008	Chen
D461,865	S	8/2002	Nagai	D572,782	S	7/2008	Sanchez
D463,838	S	10/2002	Besnard	D572,783	S	7/2008	Sanchez
D465,251	S	11/2002	Wood	D572,784	S	7/2008	Sanchez
6,475,102	B2	11/2002	Helmstetter	D572,785	S	7/2008	Chen
D469,141	S	1/2003	Poynor	D572,787	S	7/2008	Sanchez
D472,950	S	4/2003	Burnett	D572,791	S	7/2008	Jertson
D482,421	S	11/2003	Kessler	D573,213	S	7/2008	Sanchez
D490,489	S	5/2004	Madore	D573,214	S	7/2008	Sanchez
D492,745	S	7/2004	Tang	D573,215	S	7/2008	Sanchez
D502,976	S	3/2005	Nishitani	D573,216	S	7/2008	Sanchez
D508,544	S	8/2005	Madore	D573,217	S	7/2008	Sanchez
D509,272	S	9/2005	Smith	D573,218	S	7/2008	Sanchez
6,939,247	B1	9/2005	Schweigert	D573,674	S	7/2008	Sanchez
D513,424	S	1/2006	Erickson	D573,675	S	7/2008	Sanchez
D514,179	S	1/2006	Chen	D573,676	S	7/2008	Chen
6,988,960	B2	1/2006	Mahaffey	D573,678	S	7/2008	Kawami
D518,129	S	3/2006	Poynor	D574,046	S	7/2008	Chen
D518,543	S	4/2006	Aguinaldo	D574,048	S	7/2008	Kadoya
D521,093	S	5/2006	Jorgensen	D574,049	S	7/2008	Kadoya
D522,077	S	5/2006	Schweigert	D574,050	S	7/2008	Jones
D522,601	S	6/2006	Schweigert	7,396,296	B2	7/2008	Evans
D523,103	S	6/2006	Hocknell	D574,456	S	* 8/2008	Chen ..... D21/759
D523,498	S	6/2006	Chen	D578,587	S	10/2008	Hoffman
D523,502	S	6/2006	Jorgensen	D579,066	S	10/2008	Dipert
D526,694	S	8/2006	Schweigert	D579,067	S	10/2008	Hoffman
D529,111	S	9/2006	Cleveland	D580,504	S	11/2008	Bosilkovski
D530,761	S	10/2006	Evans	D583,432	S	12/2008	Serrano
D532,473	S	11/2006	Chen	D587,772	S	3/2009	Ferguson
D532,474	S	11/2006	Bennett	D588,217	S	3/2009	Jertson
D532,854	S	11/2006	Oldknow	D588,220	S	3/2009	Ferguson
D535,343	S	1/2007	Chen	D588,659	S	3/2009	Jertson
D536,049	S	1/2007	Evans	D589,576	S	3/2009	Kadoya
D537,139	S	2/2007	Breier	7,503,854	B2	3/2009	Galloway
D537,495	S	2/2007	Schweigert	D591,810	S	5/2009	Murphy
D537,496	S	2/2007	Serrano	D591,817	S	5/2009	Murphy
D537,895	S	3/2007	Breier	D591,818	S	5/2009	Roberts
D538,363	S	3/2007	Schweigert	D594,518	S	6/2009	Schweigert
D538,371	S	3/2007	Kawami	D594,521	S	6/2009	Jertson
D538,866	S	3/2007	Kim	D594,919	S	6/2009	Schweigert
D538,867	S	3/2007	Cleveland	D595,381	S	6/2009	Waggoner
D539,371	S	3/2007	Serrano	D596,252	S	7/2009	Jertson
D541,364	S	4/2007	Barez	D598,062	S	8/2009	Dipert
D547,815	S	7/2007	Tang	D600,297	S	9/2009	Jertson
D550,318	S	9/2007	Oldknow	D603,472	S	11/2009	Schweigert
D550,799	S	9/2007	Lin	D603,919	S	11/2009	Gray
D552,198	S	10/2007	Schweigert	D604,376	S	11/2009	Darley
D553,206	S	10/2007	Morales	D609,293	S	2/2010	Williams
D555,745	S	11/2007	Rollinson	D609,294	S	2/2010	Oldknow
D557,362	S	12/2007	Serrano	D611,555	S	3/2010	Oldknow
D557,363	S	12/2007	Jertson	D612,005	S	3/2010	Oldknow
D558,287	S	12/2007	Jertson	D613,805	S	4/2010	Sutovsky
D558,288	S	12/2007	Jertson	D618,747	S	6/2010	Schweigert
D561,286	S	2/2008	Morales	D618,753	S	6/2010	Jertson
D562,421	S	2/2008	Jertson	D618,754	S	6/2010	Schweigert
7,326,472	B2	2/2008	Shimazaki	D621,892	S	8/2010	Kohno
D563,498	S	3/2008	Jertson	7,892,111	B2	2/2011	Morales
D564,054	S	3/2008	Jertson	D635,626	S	4/2011	Nicolette
D564,055	S	3/2008	Jertson	D638,896	S	5/2011	Schweigert
D564,056	S	3/2008	Chen	D642,643	S	* 8/2011	Nicolette ..... D21/759
D566,214	S	4/2008	Evans	8,012,034	B1	9/2011	Cackett
D567,317	S	4/2008	Jertson	D661,751	S	6/2012	Nicolette
D567,891	S	4/2008	Serrano	D661,752	S	6/2012	Stokke
D569,933	S	5/2008	Jertson	D661,754	S	* 6/2012	Cameron ..... D21/759
				D661,756	S	6/2012	Nicolette
				D661,757	S	6/2012	Stokke
				8,337,326	B2	12/2012	Lukasiewicz, Jr.
				D673,630	S	1/2013	Schweigert



(56)

**References Cited**

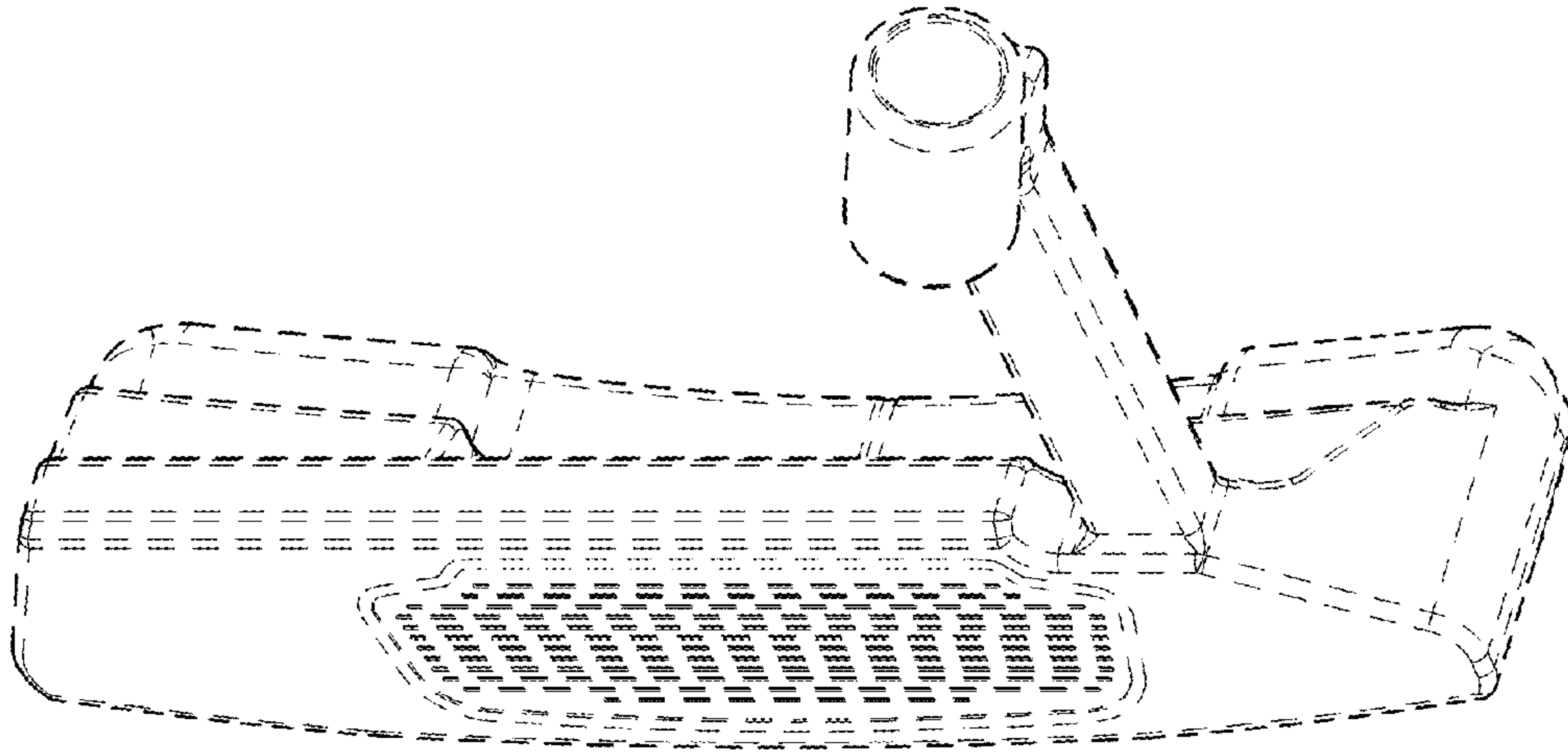
U.S. PATENT DOCUMENTS

D673,632	S	*	1/2013	Schweigert	.....	D21/759
D680,179	S		4/2013	Solheim		
D687,503	S		8/2013	Solheim		
D691,230	S		10/2013	Chen		
D696,739	S	*	12/2013	Stokke	.....	D21/759
8,608,587	B2		12/2013	Henrikson		
D709,574	S		7/2014	Bacon		
D720,418	S	*	12/2014	Chen	.....	D21/759
D741,429	S	*	10/2015	Asatsuma	.....	D21/759
D762,274	S	*	7/2016	Cardani	.....	D21/759
D763,382	S	*	8/2016	Cardani	.....	D21/759
D763,990	S	*	8/2016	Cardani	.....	D21/759
D763,992	S	*	8/2016	Cardani	.....	D21/759
D764,611	S	*	8/2016	Cardani	.....	D21/759
D765,198	S	*	8/2016	Cardani	.....	D21/759
D765,199	S	*	8/2016	Cardani	.....	D21/759
2005/0043117	A1		2/2005	Gilbert		
2008/0039228	A1		2/2008	Breier		
2008/0171612	A1		7/2008	Serrano		
2008/0188322	A1		8/2008	Anderson		
2009/0275419	A1		11/2009	Cackett		
2011/0143858	A1		6/2011	Peralta		

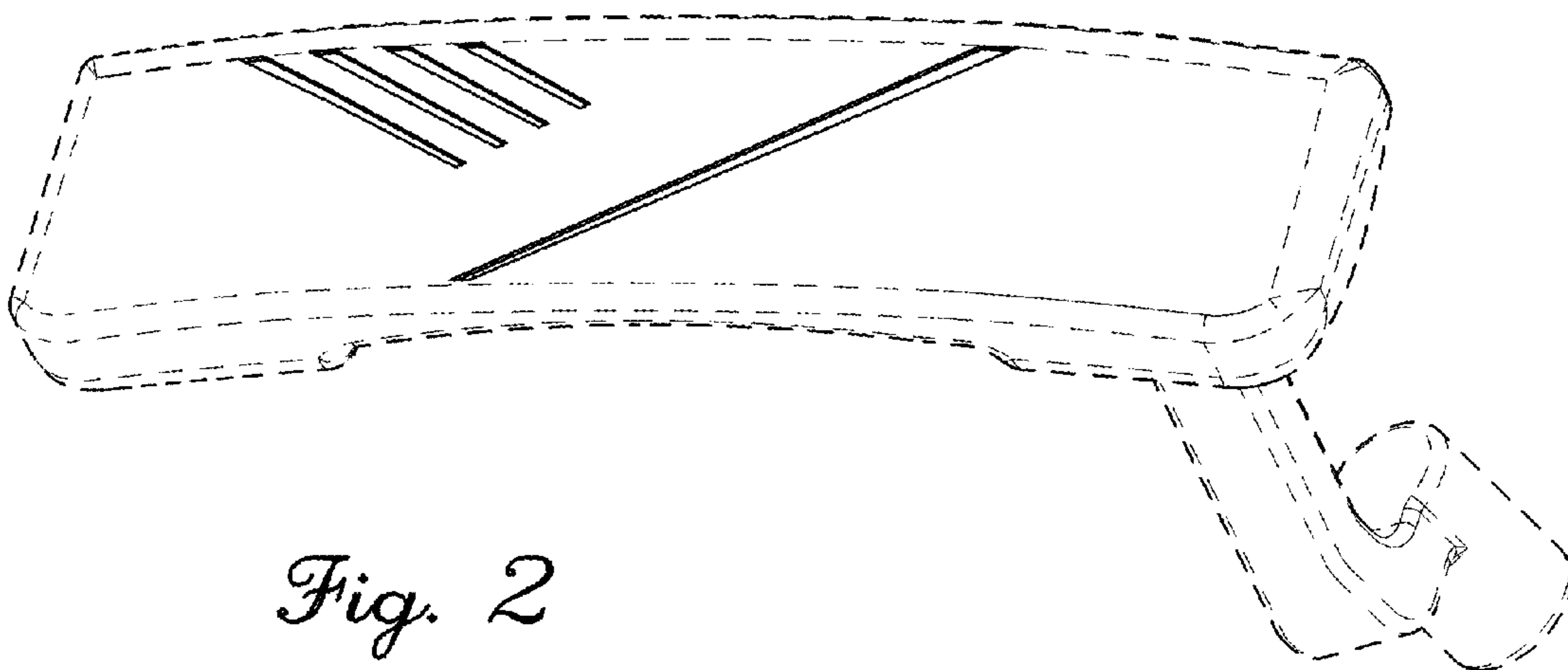
OTHER PUBLICATIONS

Xiaojian Chen, et al., "Golf Club Head," U.S. Appl. No. 29/492,061, filed May 28, 2014.

\* cited by examiner

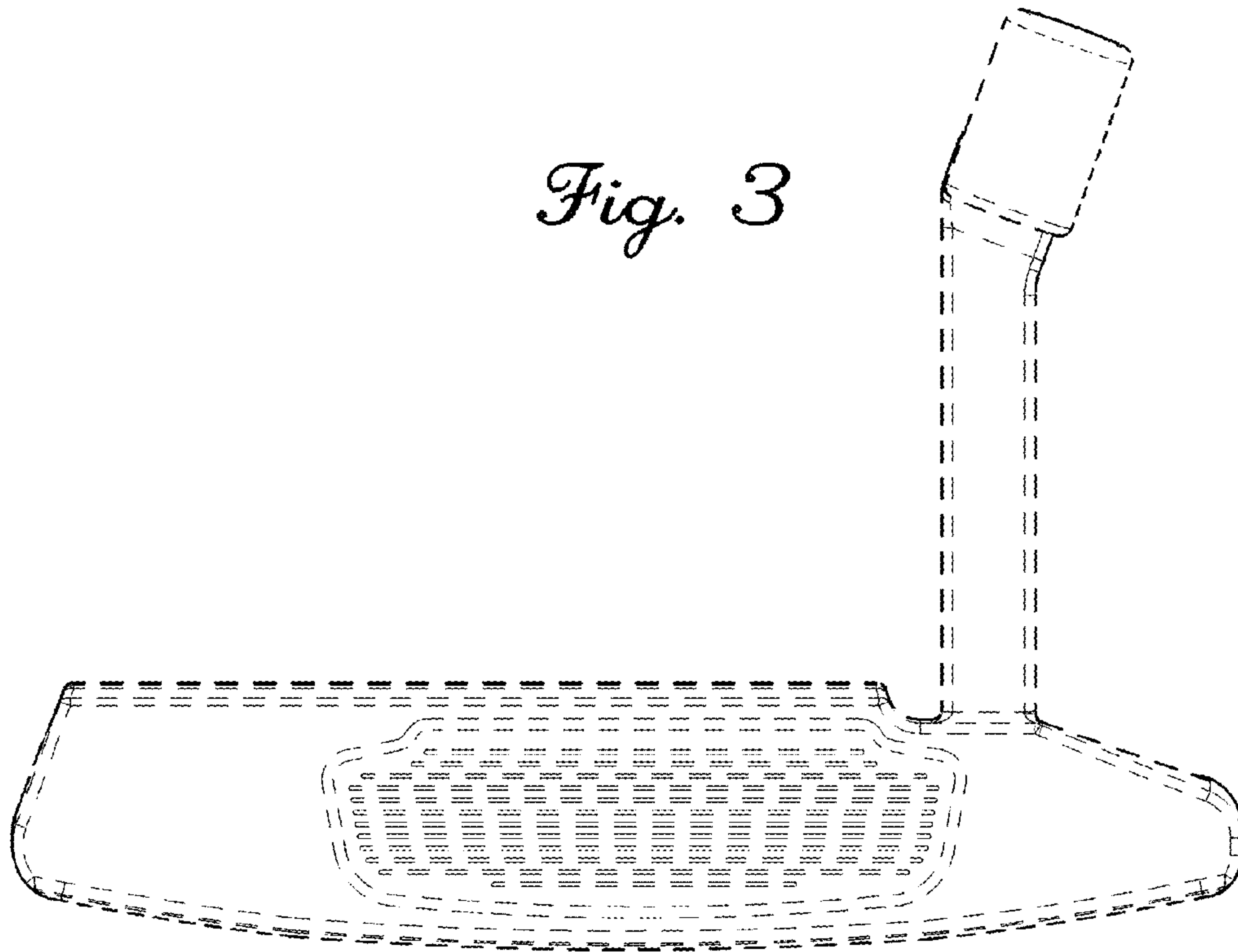


*Fig. 1*

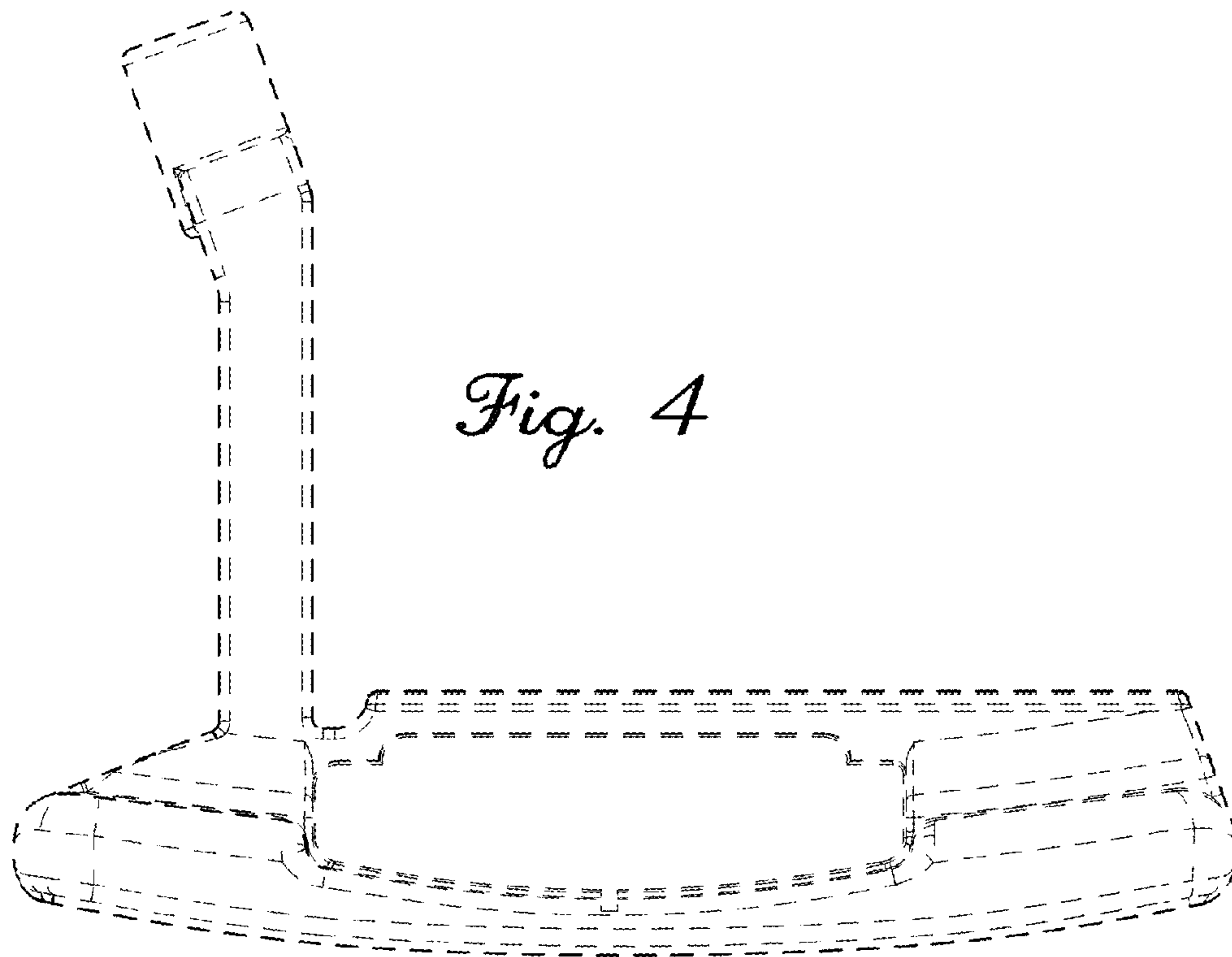


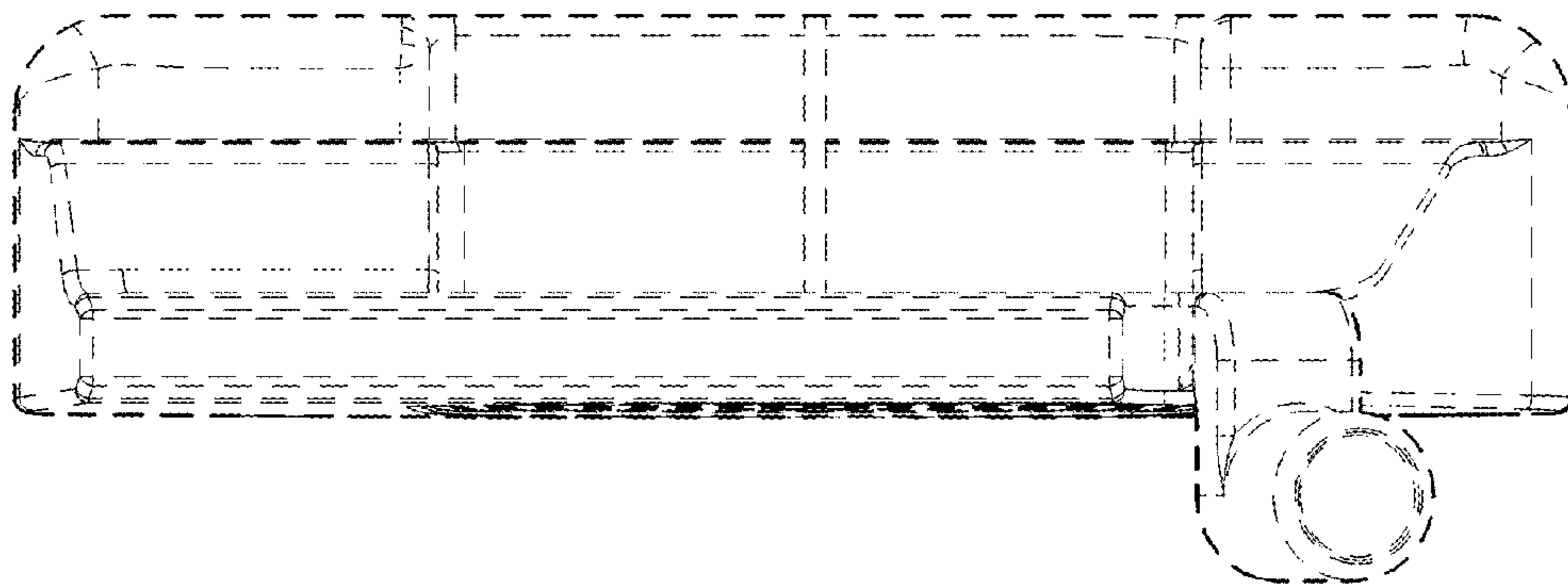
*Fig. 2*

*Fig. 3*

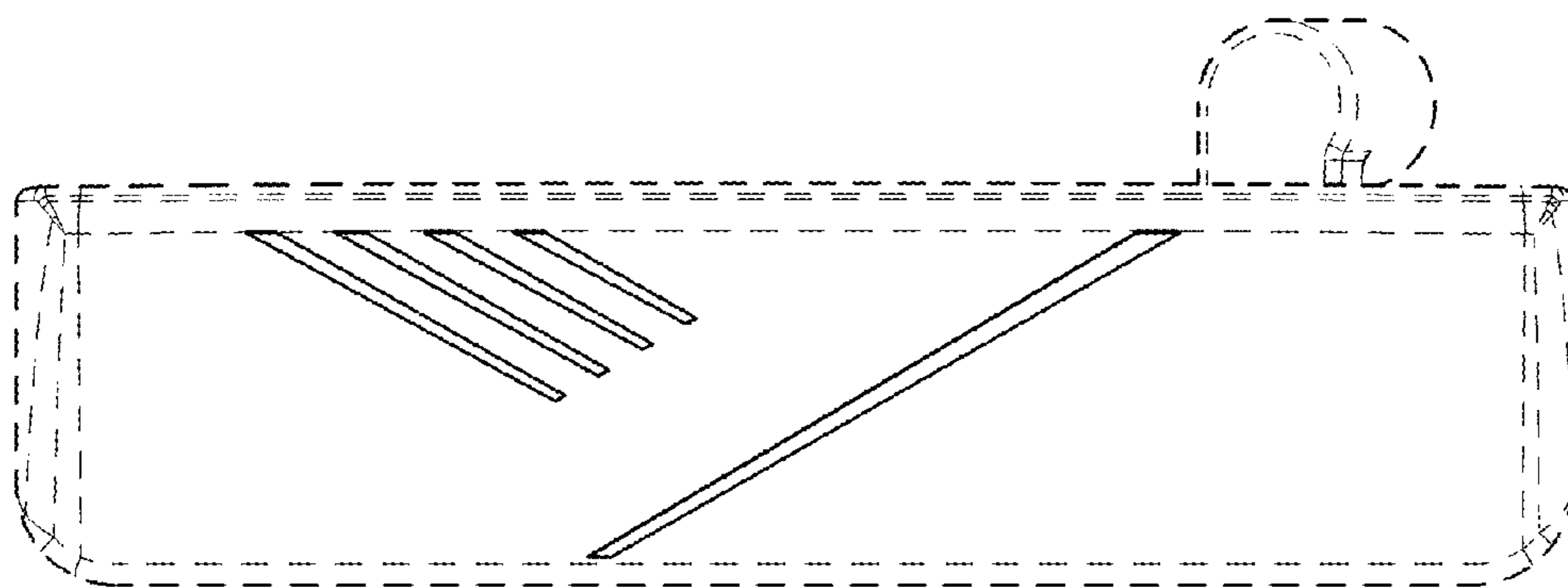


*Fig. 4*

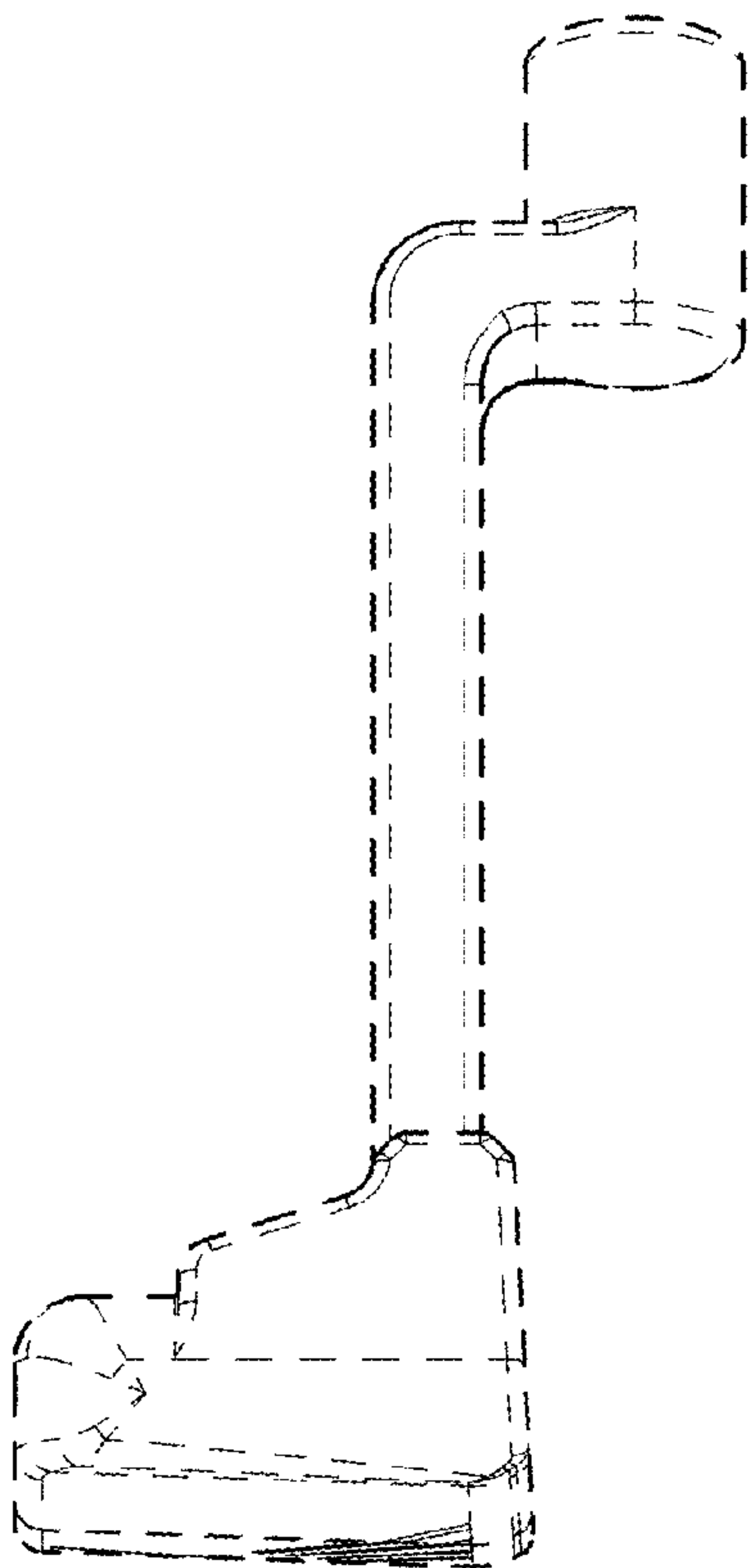




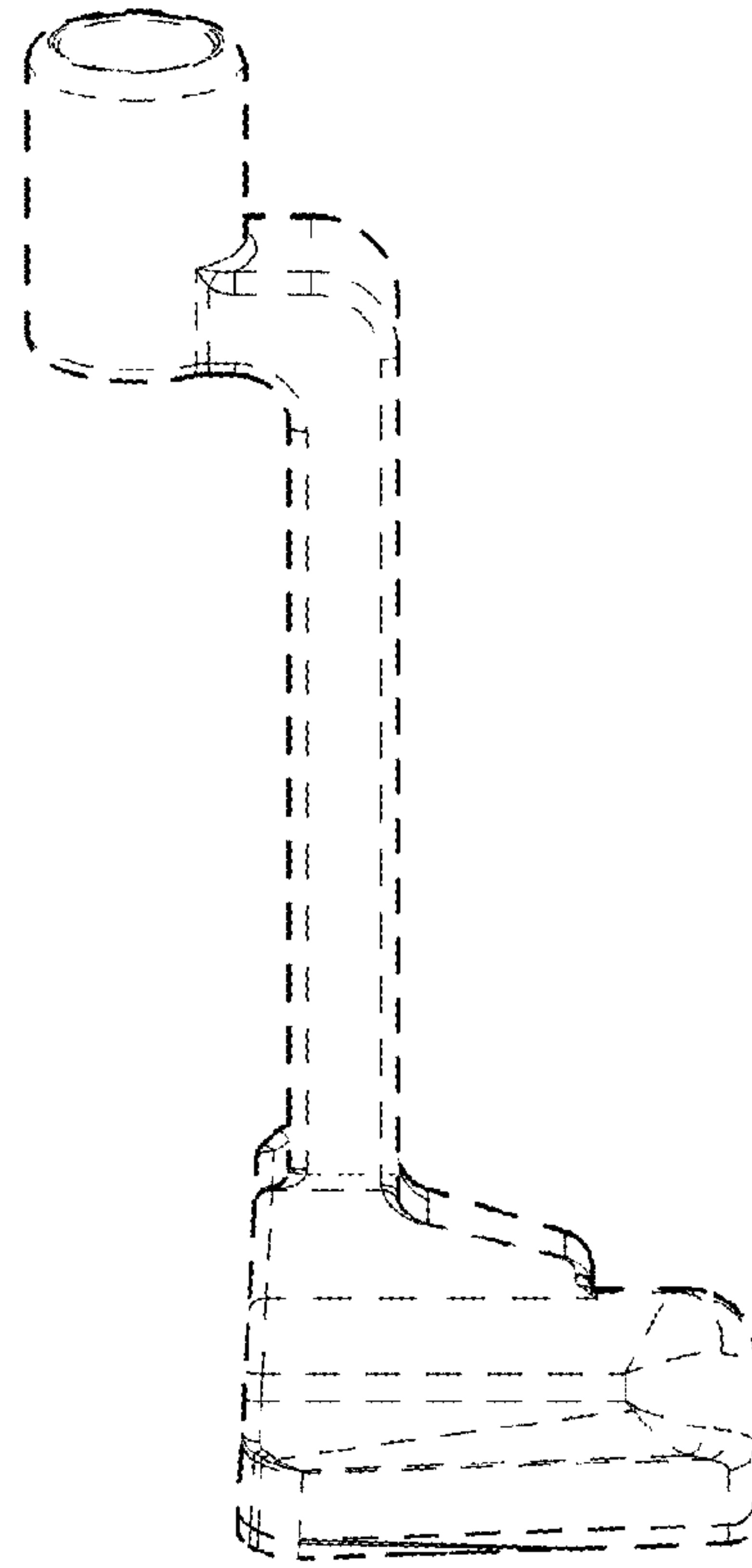
*Fig. 5*



*Fig. 6*



*Fig. 8*



*Fig. 7*