



US00D777271S

(12) **United States Design Patent** (10) **Patent No.:** **US D777,271 S**
Murphy, Jr. (45) **Date of Patent:** **** Jan. 24, 2017**

(54) **RACKET HANDLE**

(71) Applicant: **H. Stetser Murphy, Jr.**, Marietta, GA
(US)

(72) Inventor: **H. Stetser Murphy, Jr.**, Marietta, GA
(US)

(**) Term: **15 Years**

(21) Appl. No.: **29/578,353**

(22) Filed: **Sep. 21, 2016**

(51) **LOC (10) Cl.** **21-02**

(52) **U.S. Cl.**
USPC **D21/758**; D21/729

(58) **Field of Classification Search**
USPC D21/729-732, 753, 756-758
CPC A63B 49/00; A63B 49/02; A63B 49/08;
A63B 49/10; A63B 49/12
See application file for complete search history.

(56) **References Cited**

U.S. PATENT DOCUMENTS

259,448 A *	6/1882	Woodhouse	A63B 49/08 43/23
1,638,454 A	8/1927	Papin		
2,166,044 A	7/1939	Lewthwaite		
D125,473 S	2/1941	Karoff		
D196,268 S	9/1963	Lamb		
D247,189 S	2/1978	Charpentier		
4,174,109 A	11/1979	Gaiser		

(Continued)

Primary Examiner — Mitchell Siegel

(74) *Attorney, Agent, or Firm* — Thomas B. McGurk

(57) **CLAIM**

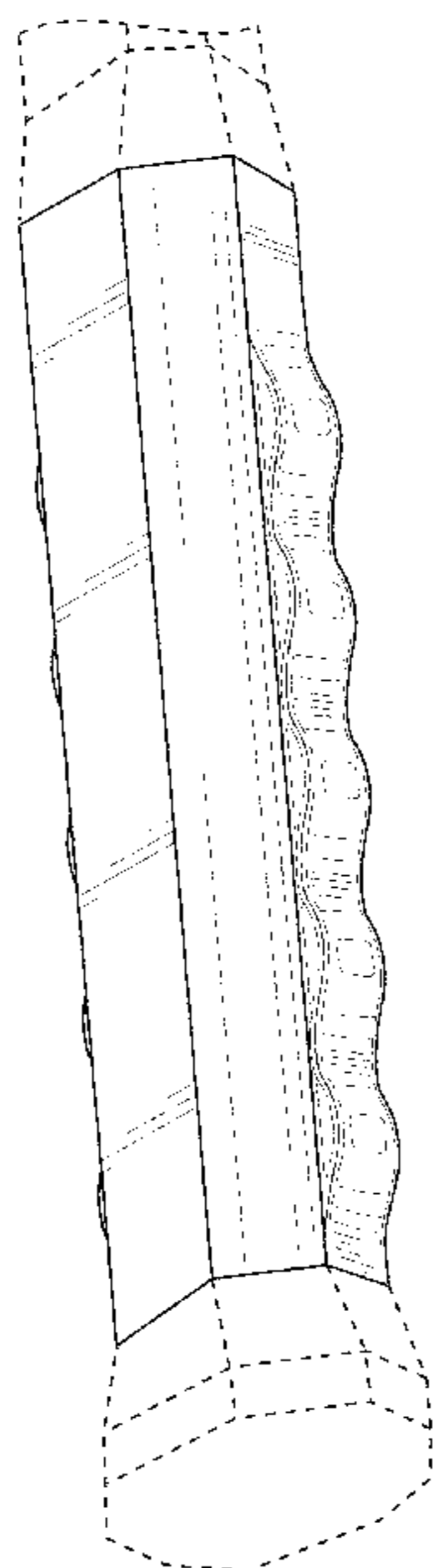
The ornamental design for a racket handle, as shown and described.

DESCRIPTION

FIG. 1 is a perspective view of a racket handle illustrating the claimed design, wherein the racket handle is attached to a tennis racket;
 FIG. 2 is another perspective view of the racket handle shown in FIG. 1;
 FIG. 3 is a front view of the racket handle shown in FIG. 1;
 FIG. 4 is a back view of the racket handle shown in FIG. 1;
 FIG. 5 is a left side view of the racket handle shown in FIG. 1;
 FIG. 6 is a right side view of the racket handle shown in FIG. 1;
 FIG. 7 is a top view of the racket handle shown in FIG. 1;
 FIG. 8 is a bottom view of the racket handle shown in FIG. 1;
 FIG. 9 is an enlarged perspective view of the racket handle of FIG. 1 excluding the head and neck portions of the tennis racket shown in FIG. 1;
 FIG. 10 is another enlarged perspective view of the racket handle shown in FIG. 9;
 FIG. 11 is an enlarged front view of the racket handle shown in FIG. 9;
 FIG. 12 is an enlarged back view of the racket handle shown in FIG. 9;
 FIG. 13 is an enlarged left side view of the racket handle shown in FIG. 9;
 FIG. 14 is an enlarged right side view of the racket handle shown in FIG. 9;
 FIG. 15 is a sectional view taken along line A-A of FIG. 11 of the design of the racket handle shown in FIG. 11; and,
 FIG. 16 is a bottom view of the racket handle shown in FIG. 9.

The broken lines in the drawings are for illustrative purposes only and form no part of the claimed design.

1 Claim, 13 Drawing Sheets



(56)

References Cited

U.S. PATENT DOCUMENTS

4,438,925 A	3/1984	Lindstrom		5,845,804 A	12/1998	Prescott	
4,736,950 A	4/1988	Doyle		5,990,584 A	11/1999	Luo	
4,828,261 A *	5/1989	Kleylein	A63B 49/08	D443,907 S *	6/2001	Tarica	D21/758
			473/538	D477,645 S	7/2003	Vito	
D307,930 S	5/1990	Sokol et al.		D484,206 S	12/2003	Udwin et al.	
4,964,645 A	10/1990	Lai		D484,556 S	12/2003	Udwin et al.	
5,294,117 A	3/1994	Huang		D488,844 S *	4/2004	Szelenyi	D21/729
5,316,316 A	5/1994	Lai		8,012,043 B2	9/2011	Emberger et al.	
D355,232 S	2/1995	Hodges		8,298,101 B2	10/2012	Babolat	
5,492,324 A	2/1996	Hagey		D703,779 S	4/2014	Budacsek	
5,556,092 A *	9/1996	Theken	A63B 49/08	D716,885 S	11/2014	Murphy, Jr.	
			16/430	D726,268 S	4/2015	Murphy, Jr.	
D378,389 S	3/1997	Manu		D726,269 S *	4/2015	Murphy, Jr.	D21/756
D380,244 S	6/1997	Naumoff		D731,015 S *	6/2015	Murphy, Jr.	D21/756
5,671,926 A	9/1997	Hagey		D767,059 S *	9/2016	Murphy, Jr.	D21/753
D394,094 S	5/1998	Davis et al.		D767,060 S *	9/2016	Murphy, Jr.	D21/753
				2002/0086747 A1	7/2002	Hsu	
				2010/0056308 A1 *	3/2010	Babolat	A63B 49/08
							473/551

* cited by examiner

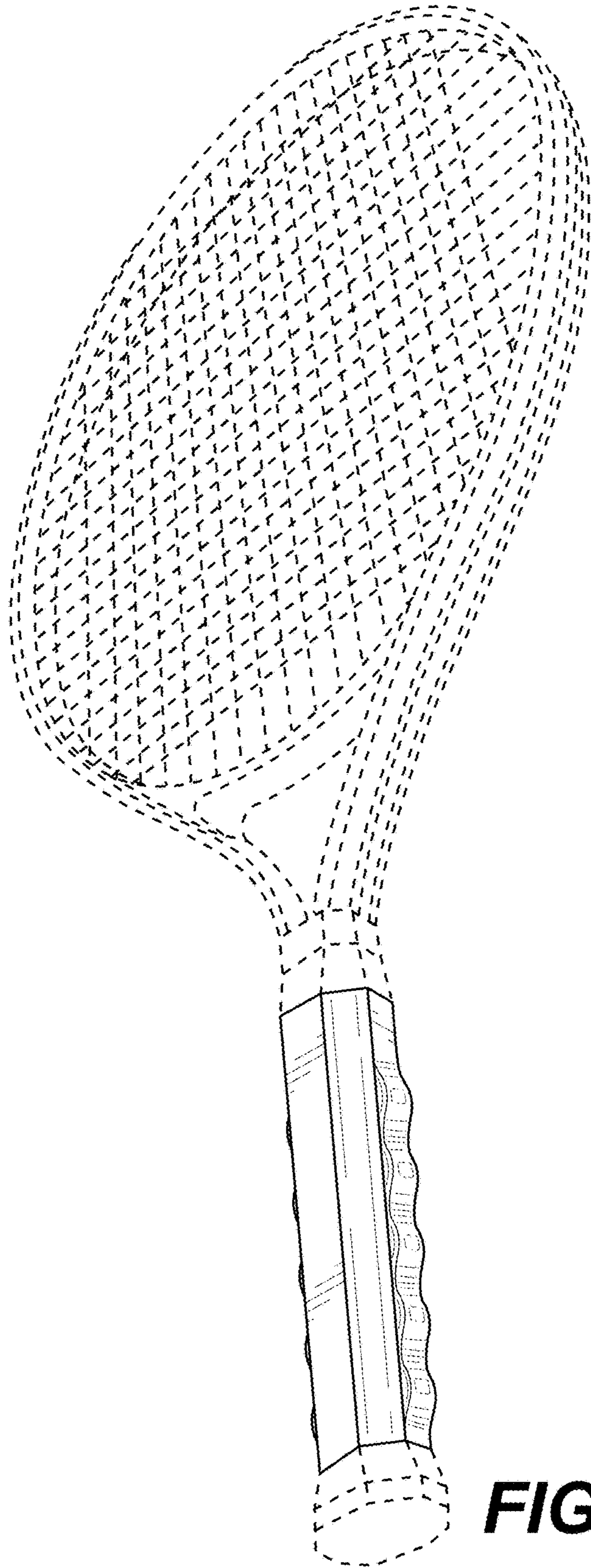


FIG. 1

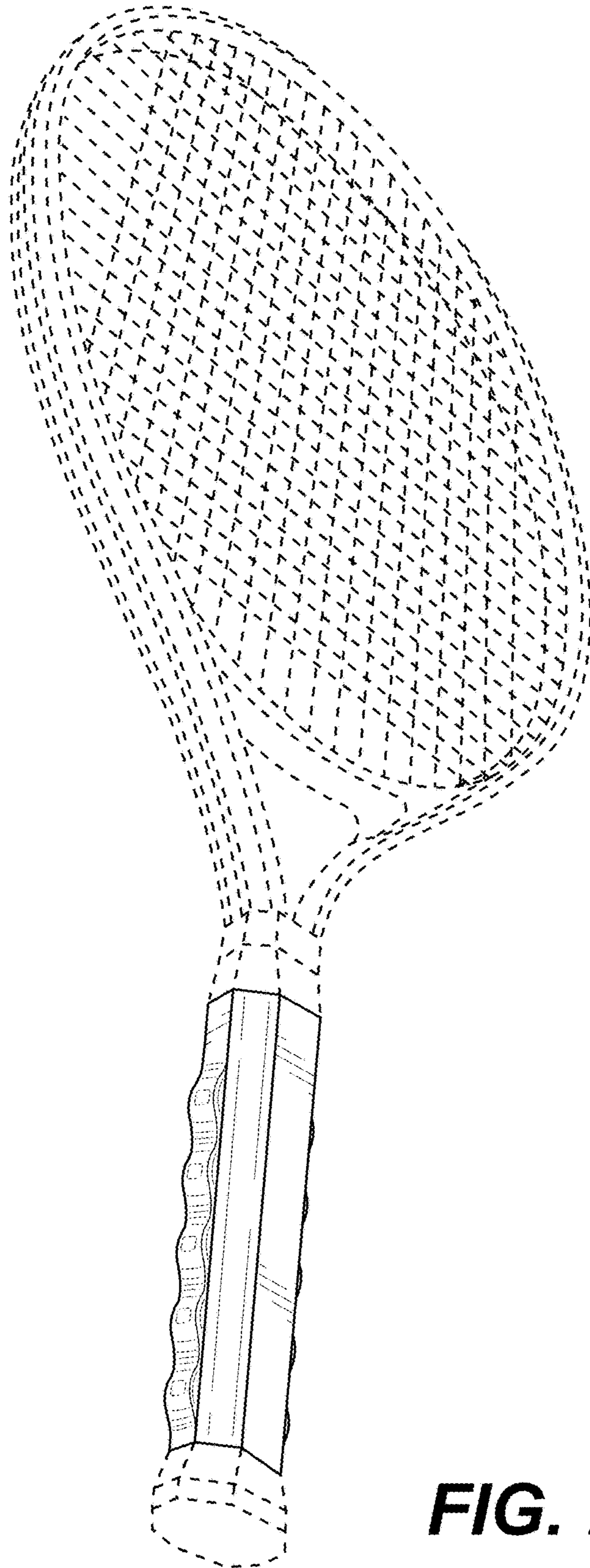


FIG. 2

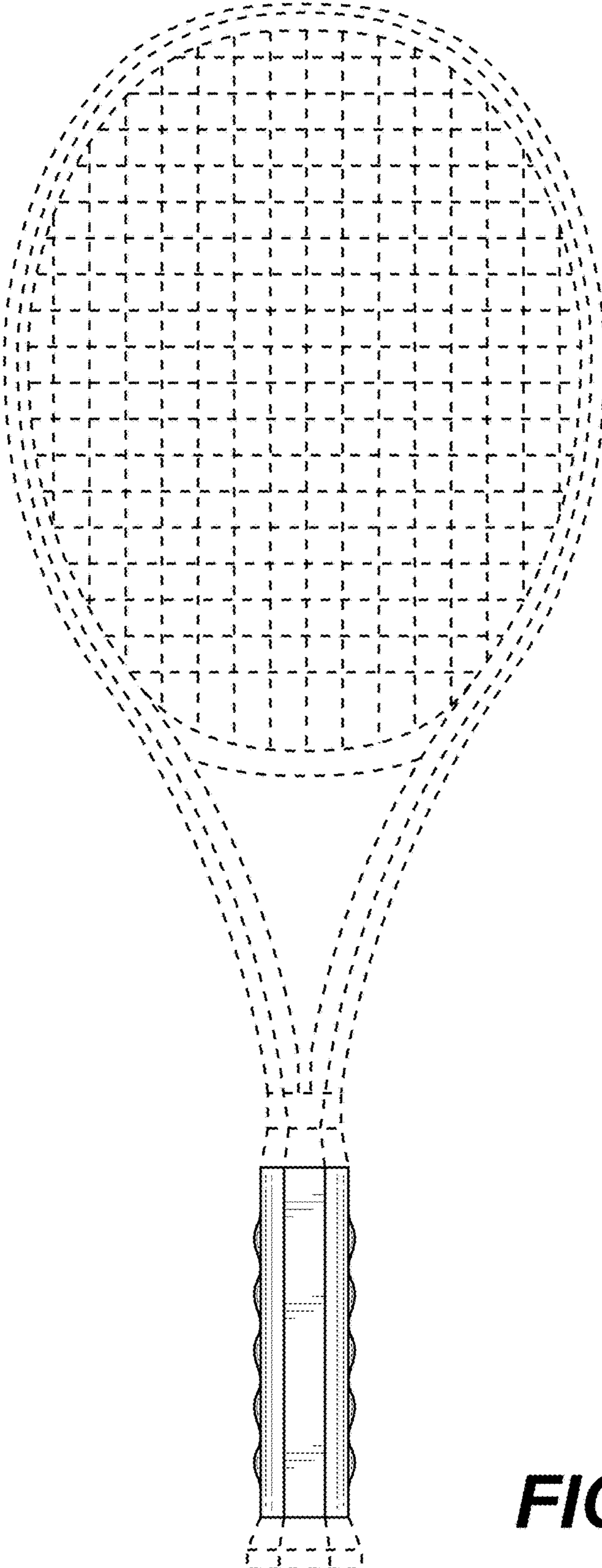


FIG. 3

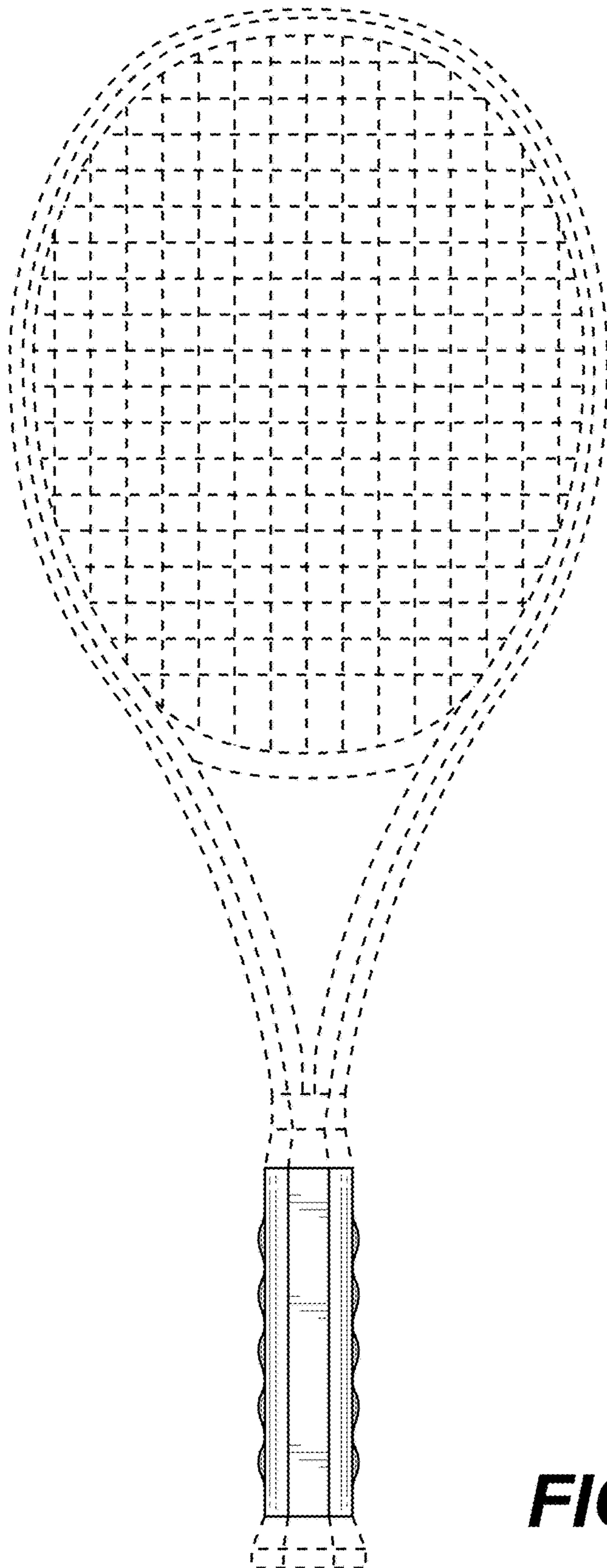


FIG. 4

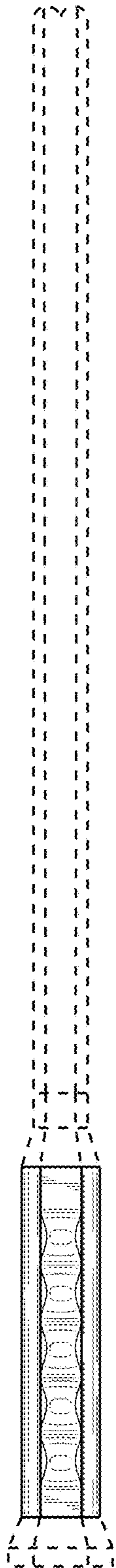


FIG. 5

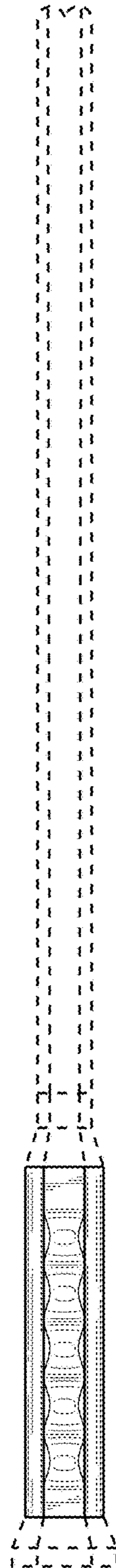


FIG. 6

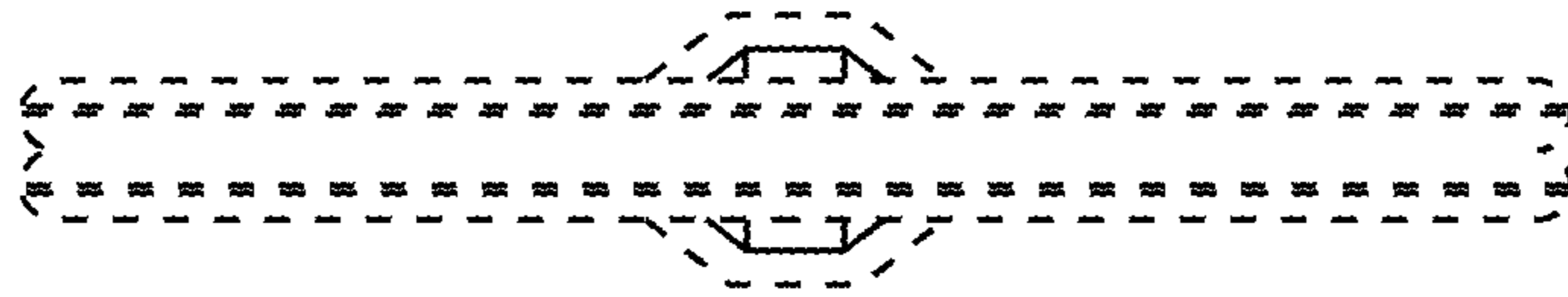


FIG. 7

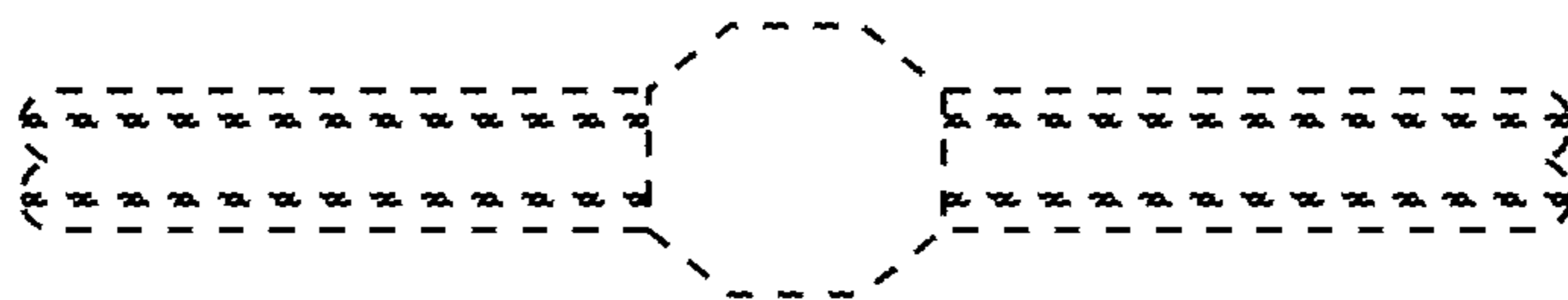


FIG. 8

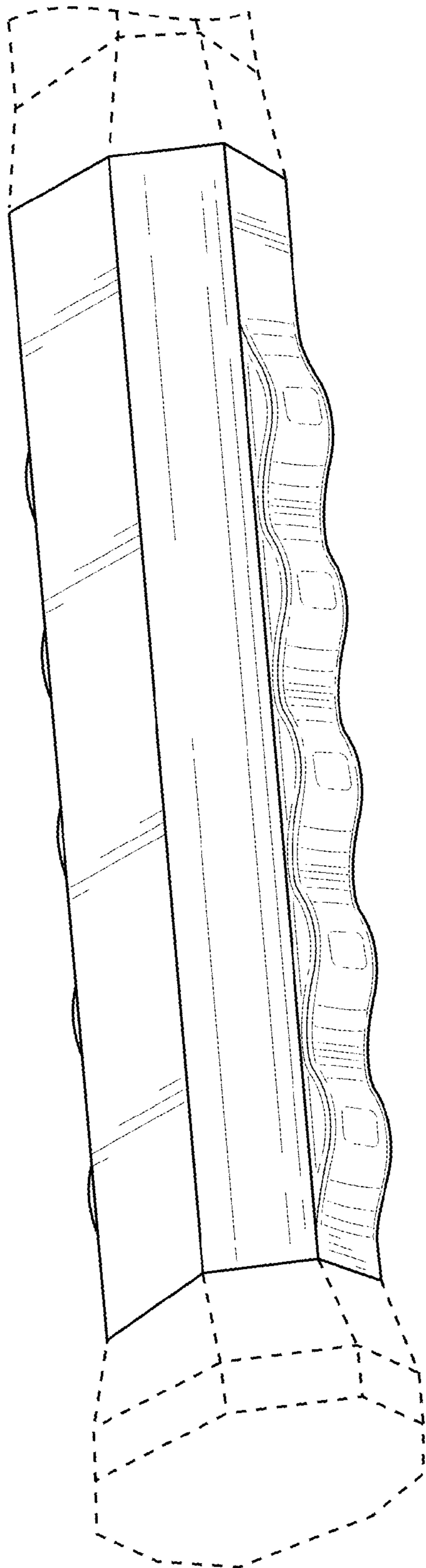


FIG. 9

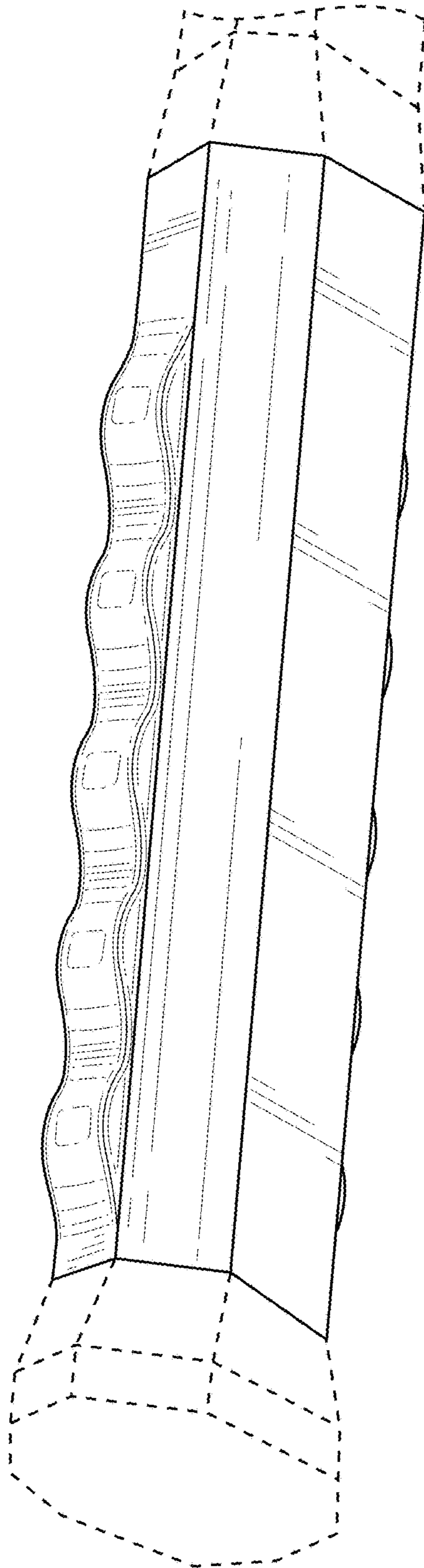


FIG. 10

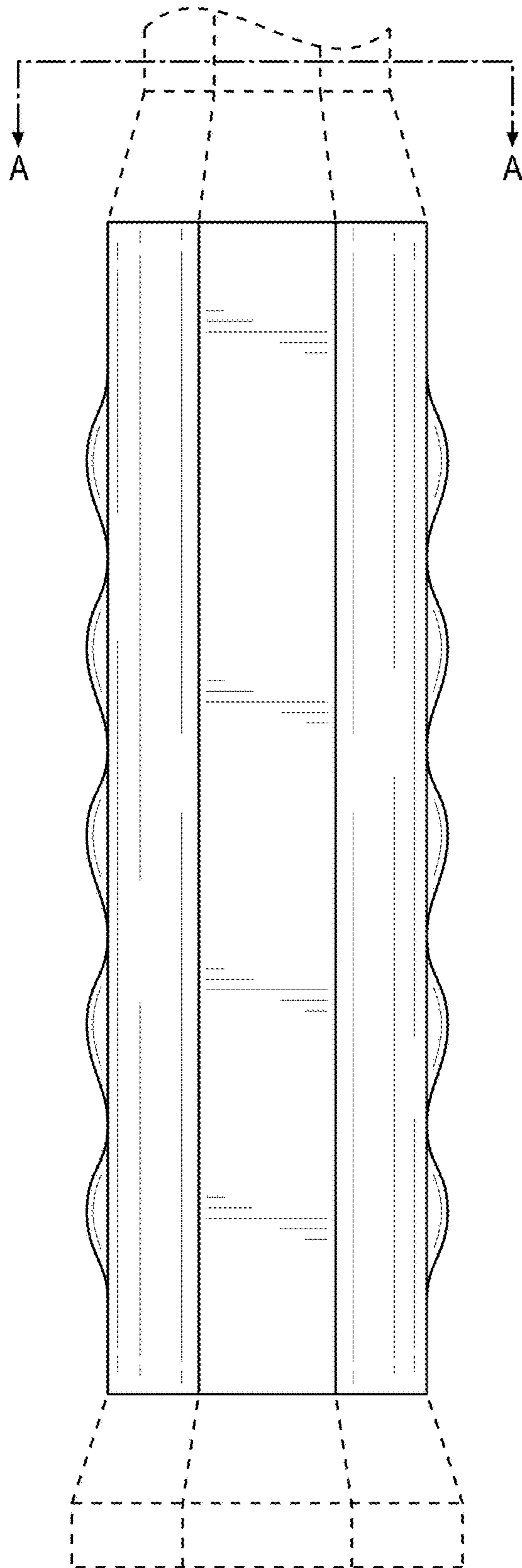


FIG. 11

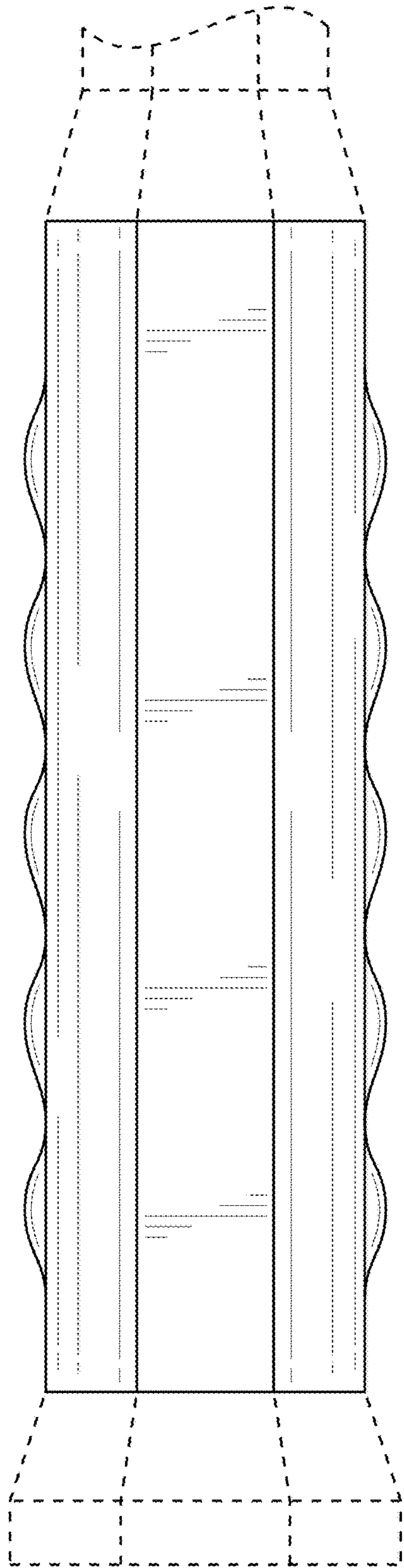


FIG. 12

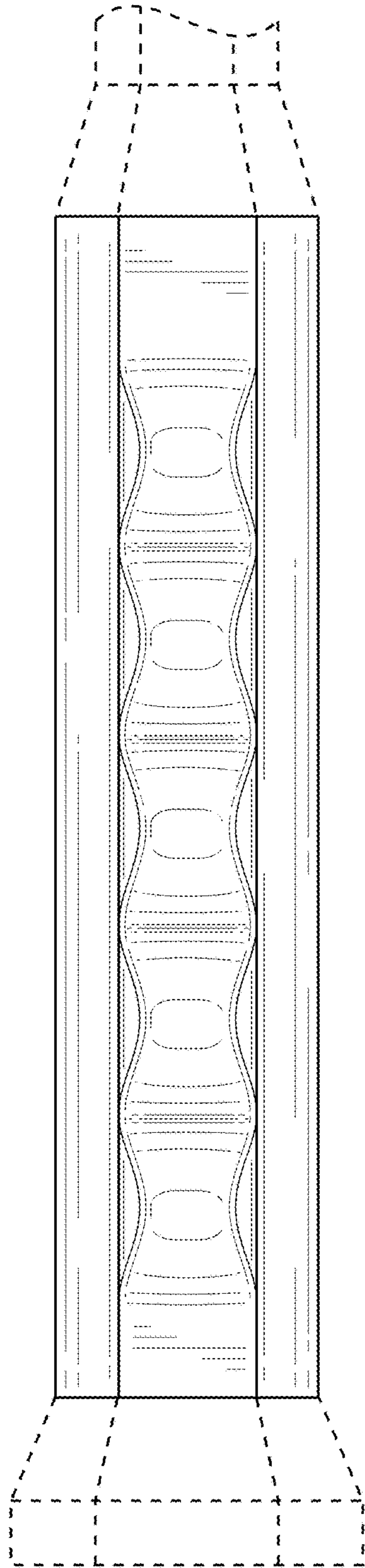


FIG. 13

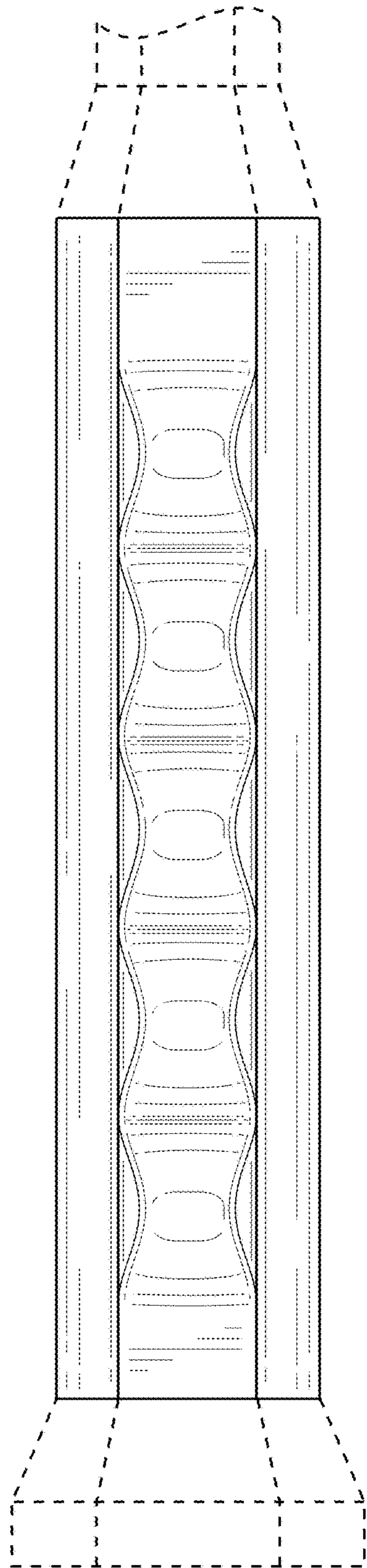


FIG. 14

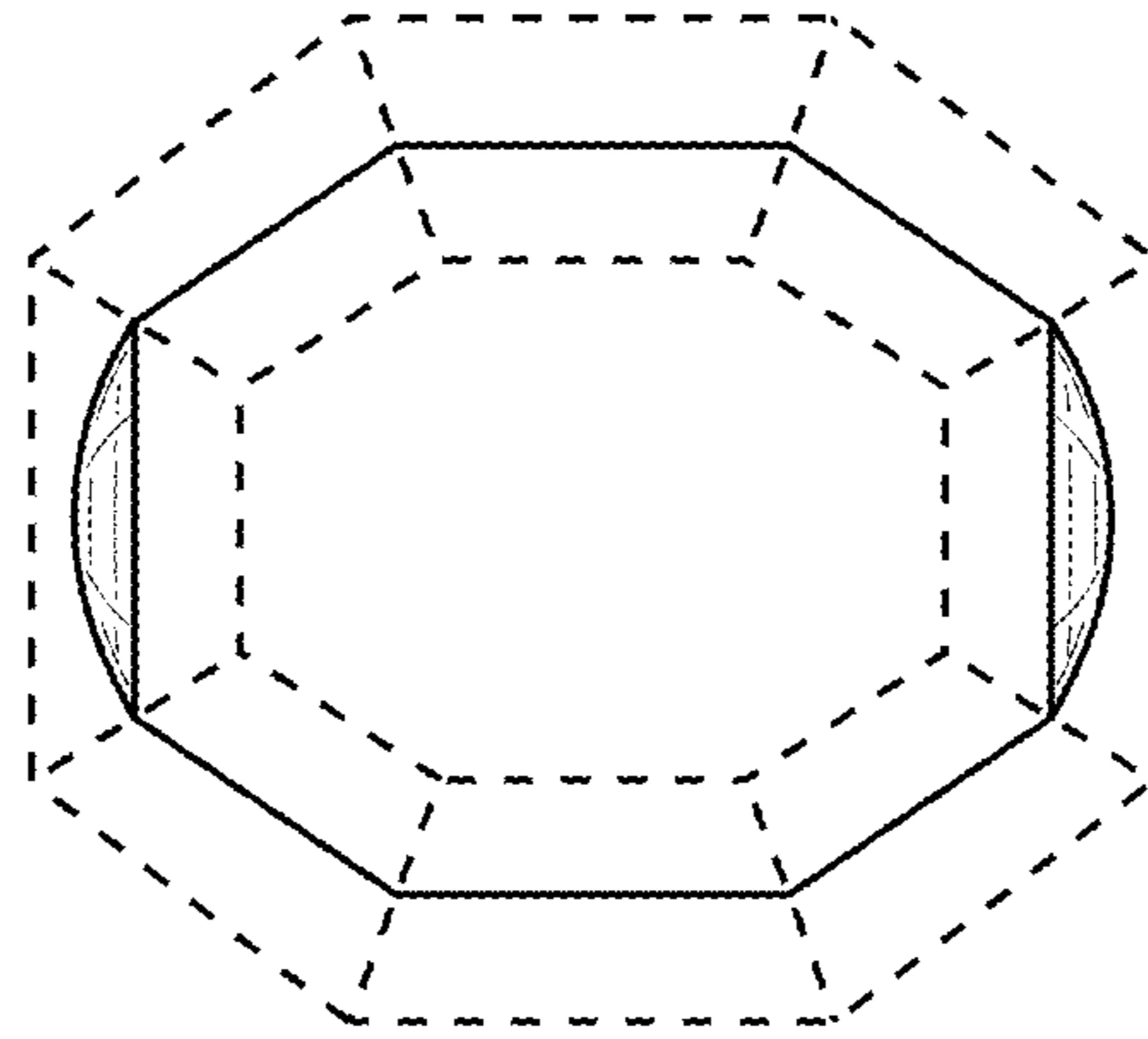


FIG. 15

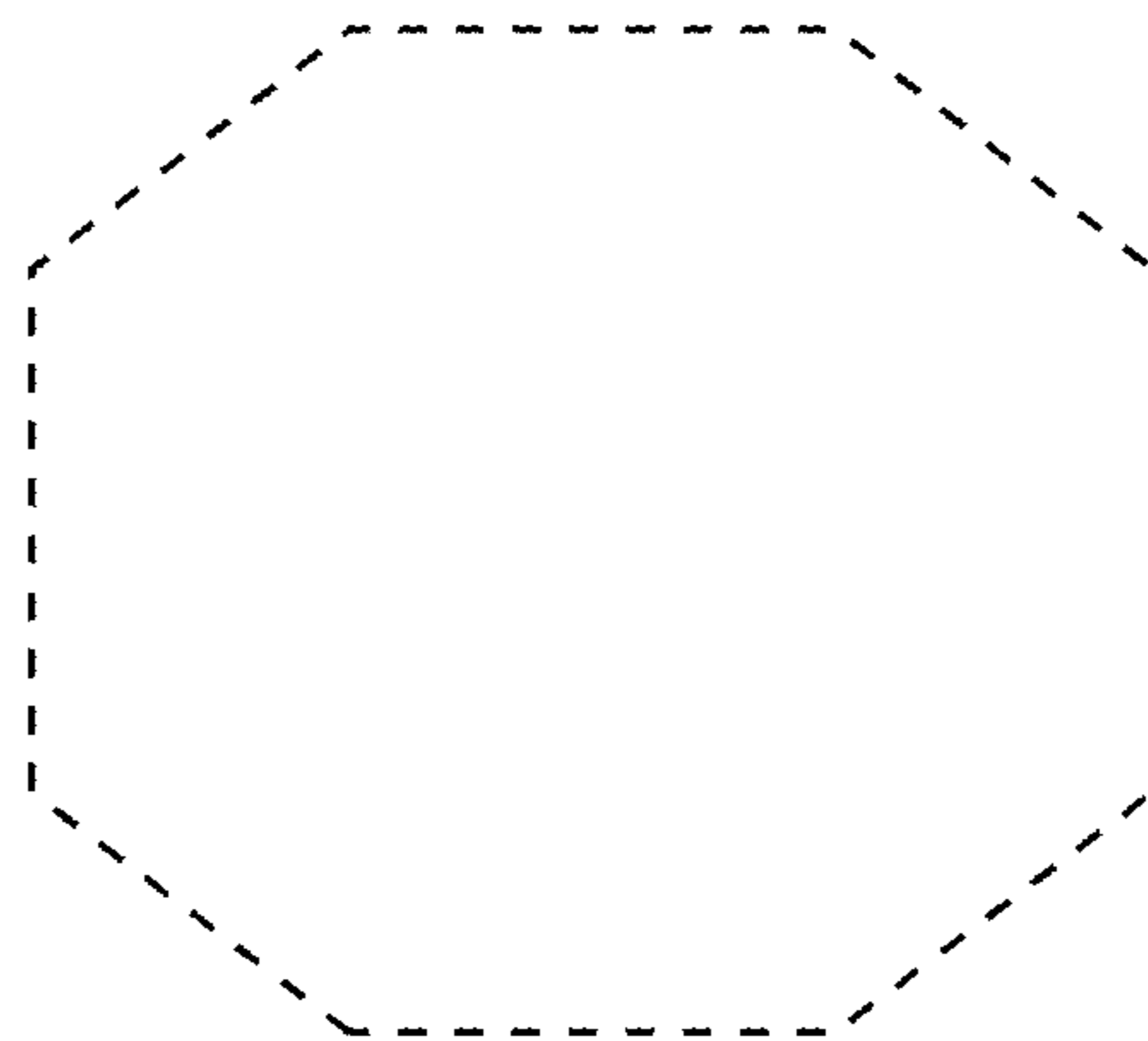


FIG. 16