



US00D777270S

(12) **United States Design Patent** (10) **Patent No.:** **US D777,270 S**
Rollinson (45) **Date of Patent:** **** Jan. 24, 2017**

(54) **PUTTER HEAD**
(71) Applicant: **CALLAWAY GOLF COMPANY,**
Carlsbad, CA (US)
(72) Inventor: **Augustin W. Rollinson,** Carlsbad, CA
(US)
(73) Assignee: **Callaway Golf Company,** Carlsbad,
CA (US)
(**) Term: **15 Years**
(21) Appl. No.: **29/537,850**
(22) Filed: **Aug. 28, 2015**
(51) **LOC (10) Cl.** **21-02**
(52) **U.S. Cl.**
USPC **D21/744**
(58) **Field of Classification Search**
USPC D21/736-746, 759
CPC ... A63B 53/00; A63B 53/065; A63B 53/0487;
A63B 53/007; A63B 53/04
See application file for complete search history.

D594,517 S * 6/2009 Tang D21/736
D594,917 S * 6/2009 Stellander D21/743
D595,373 S * 6/2009 Kim D21/744
D604,787 S * 11/2009 Hopkins D21/736
D619,666 S * 7/2010 DePaul D21/743
D621,458 S * 8/2010 Serrano D21/736
D636,829 S * 4/2011 Cardani D21/759
D657,836 S * 4/2012 Oldknow D21/759
D658,245 S * 4/2012 Oldknow D21/736
8,303,434 B1 * 11/2012 DePaul A63B 53/0487
473/255
D688,341 S * 8/2013 Rollinson D21/746
D691,226 S * 10/2013 Hilton D21/746
D699,308 S * 2/2014 Rollinson D21/736
D715,388 S * 10/2014 Serrano D21/743
D728,715 S * 5/2015 Cameron D21/736
D730,464 S * 5/2015 Cameron D21/743
D731,605 S * 6/2015 Rollinson D21/736

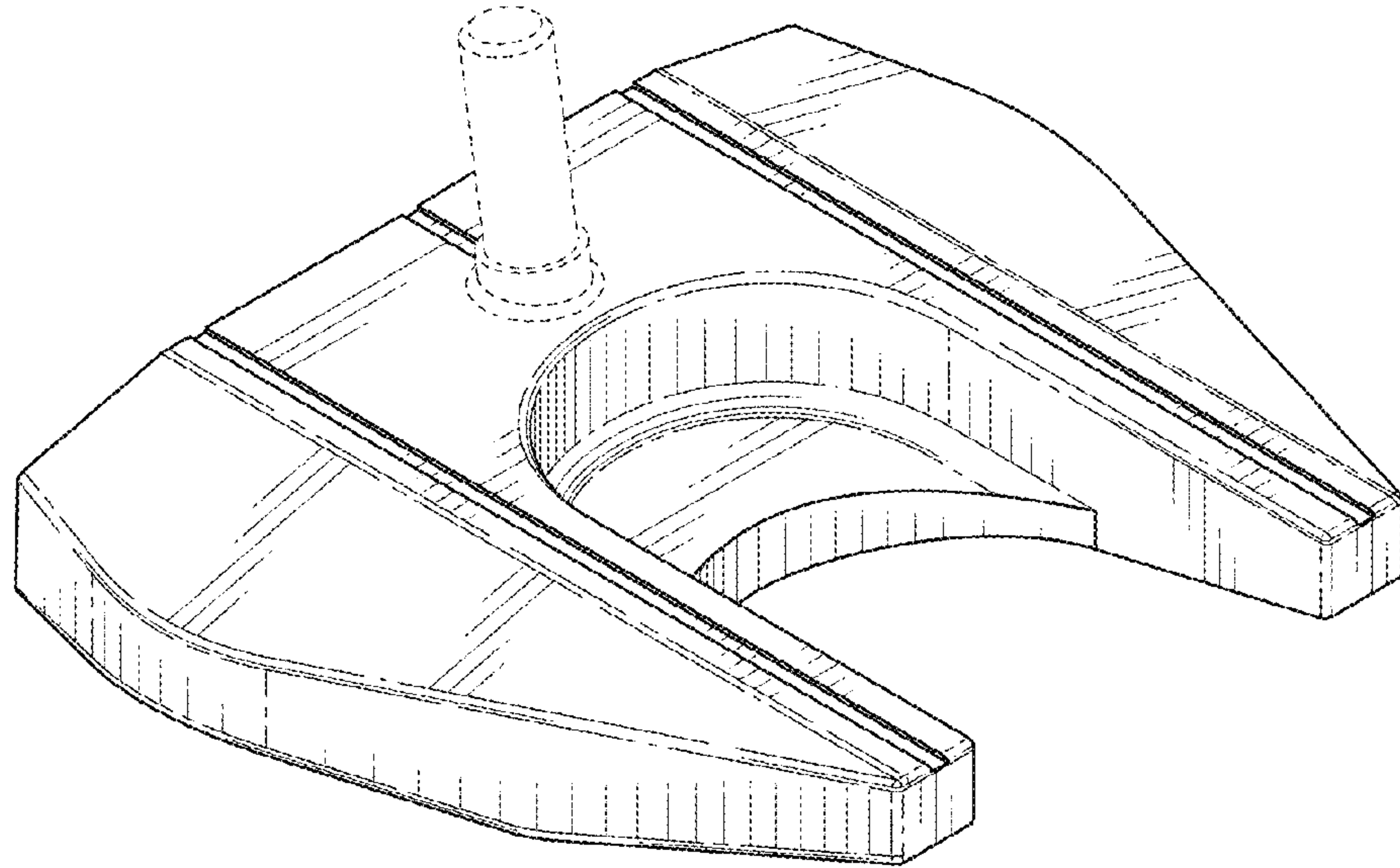
* cited by examiner
Primary Examiner — Mitchell Siegel
(74) *Attorney, Agent, or Firm* — Rebecca Hanovice;
Michael Catania; Sonia Lari

(57) **CLAIM**
The ornamental design for a putter head, as shown and described.

(56) **References Cited**
U.S. PATENT DOCUMENTS
D323,867 S * 2/1992 Rizzotto D21/740
D350,177 S * 8/1994 Ramirez D21/745
D532,845 S * 11/2006 Rollinson D21/736
D543,598 S * 5/2007 Kuan D21/736
D564,607 S * 3/2008 Oldknow D21/736
D568,954 S * 5/2008 Oldknow D21/759
D573,673 S * 7/2008 Noyes D21/721
D574,908 S * 8/2008 Hettinger D21/743
D582,497 S * 12/2008 Rollinson D21/744
D589,575 S * 3/2009 Kim D21/744
D590,035 S * 4/2009 Hilton D21/744
D590,461 S * 4/2009 Kim D21/743
D591,372 S * 4/2009 Tang D21/743
D591,807 S * 5/2009 Rollinson D21/744

DESCRIPTION
FIG. 1 is a rear perspective view of a the putter head as claimed herein;
FIG. 2 is a rear elevational view thereof;
FIG. 3 is a front elevational view thereof;
FIG. 4 is a right side elevational view thereof;
FIG. 5 is a left side elevational view thereof;
FIG. 6 is a top plan view thereof; and,
FIG. 7 is a bottom plan view thereof.
The broken lines are included for the purpose of illustration and form no part of the claimed design.

1 Claim, 4 Drawing Sheets



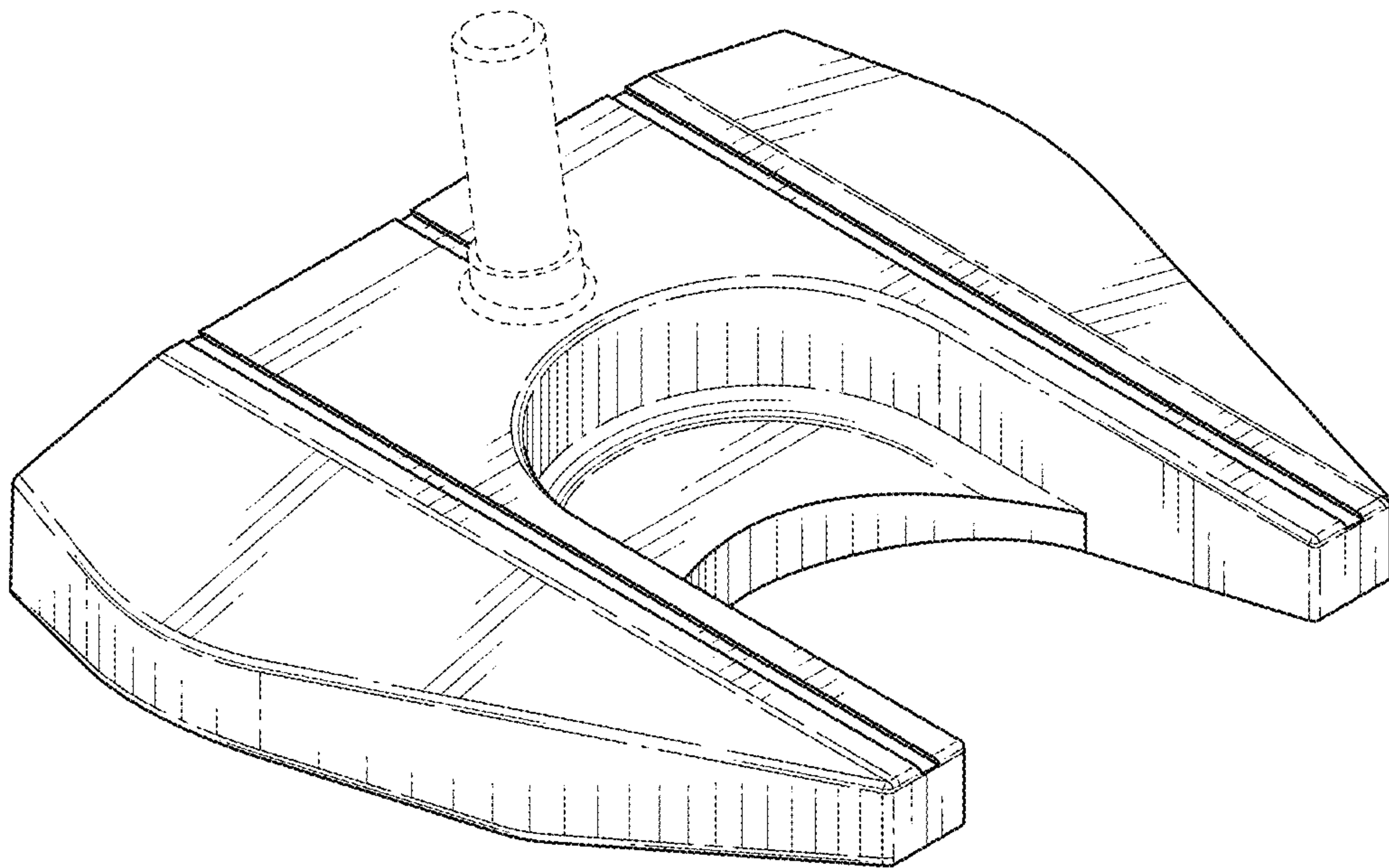


FIG. 1

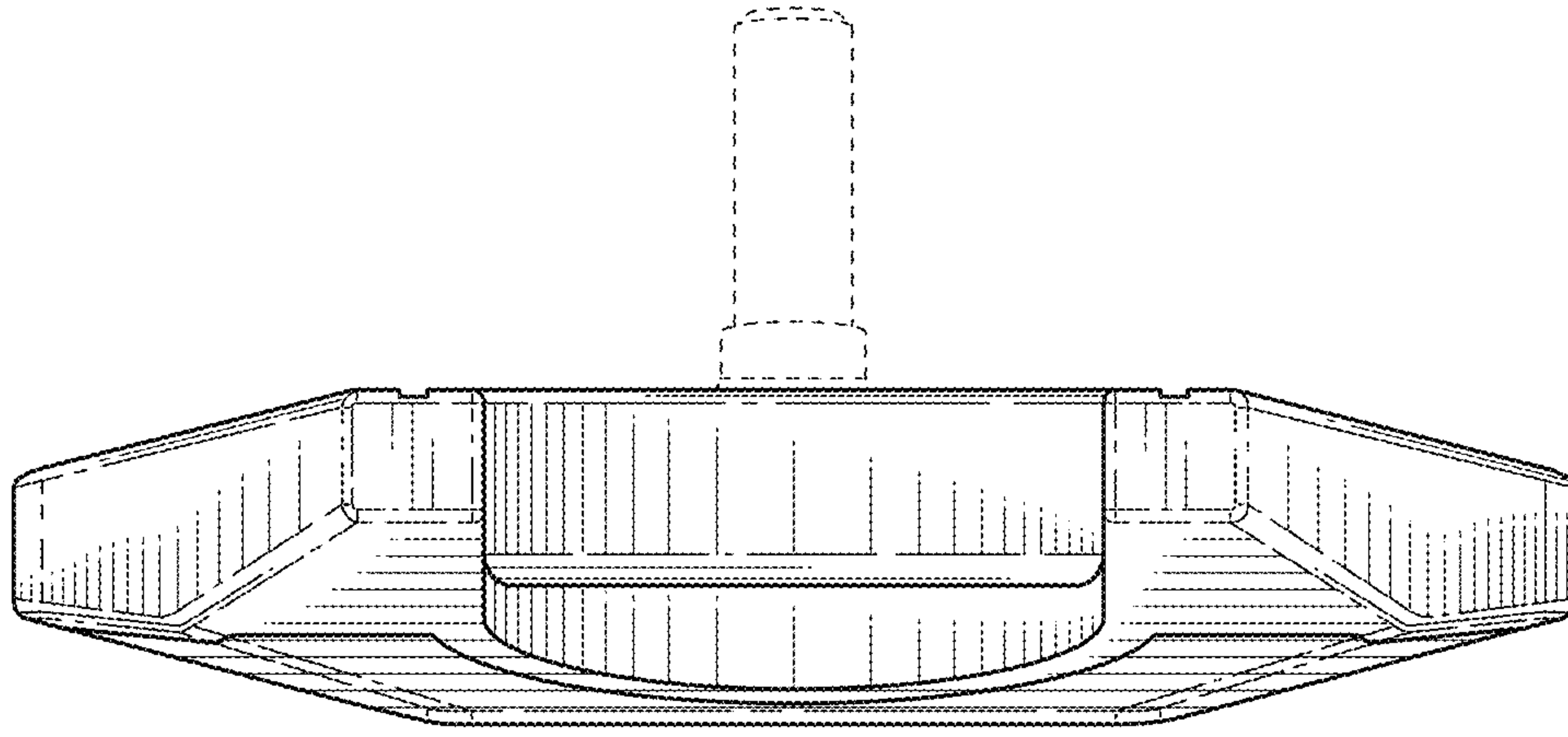


FIG. 2

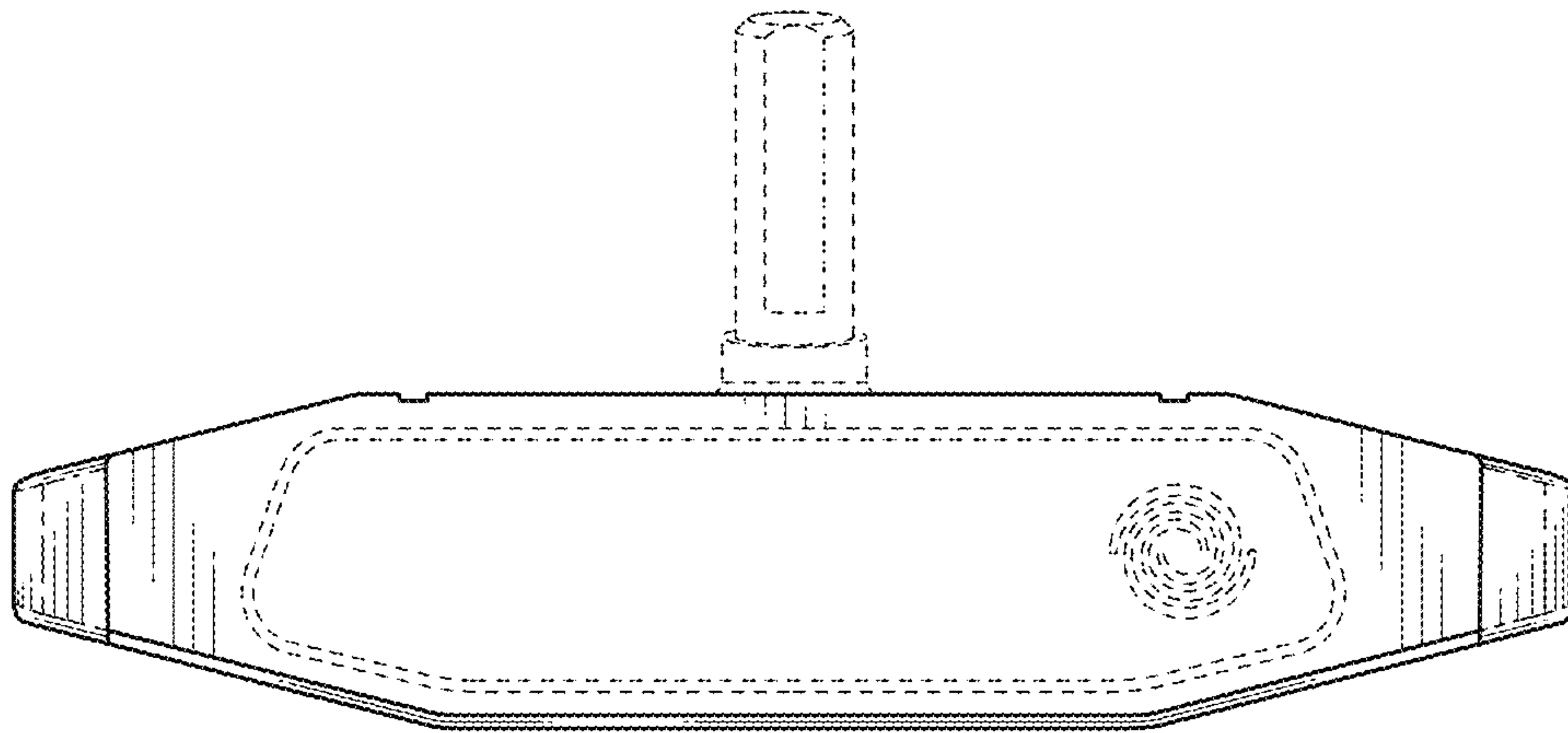


FIG. 3

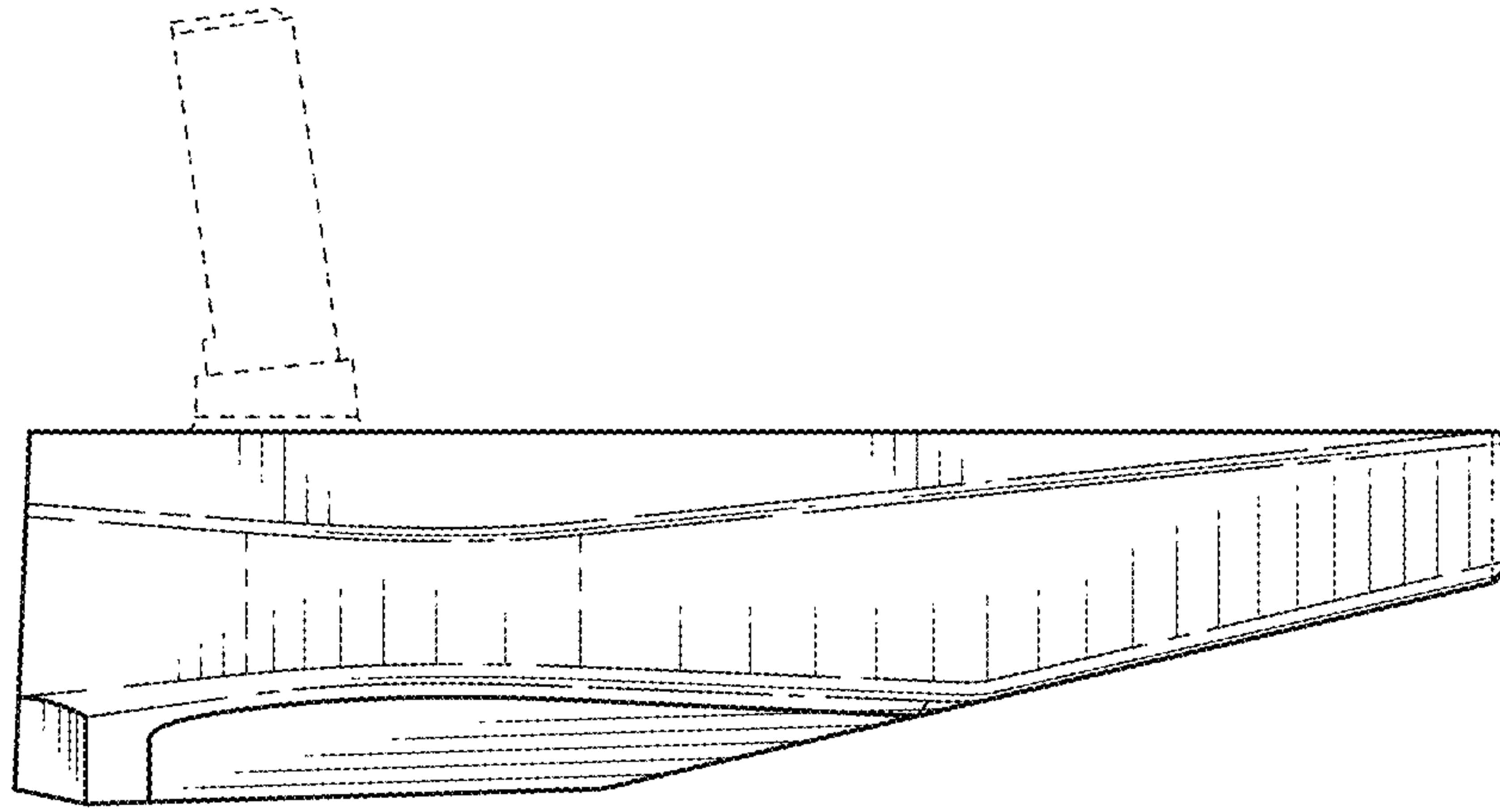


FIG. 4

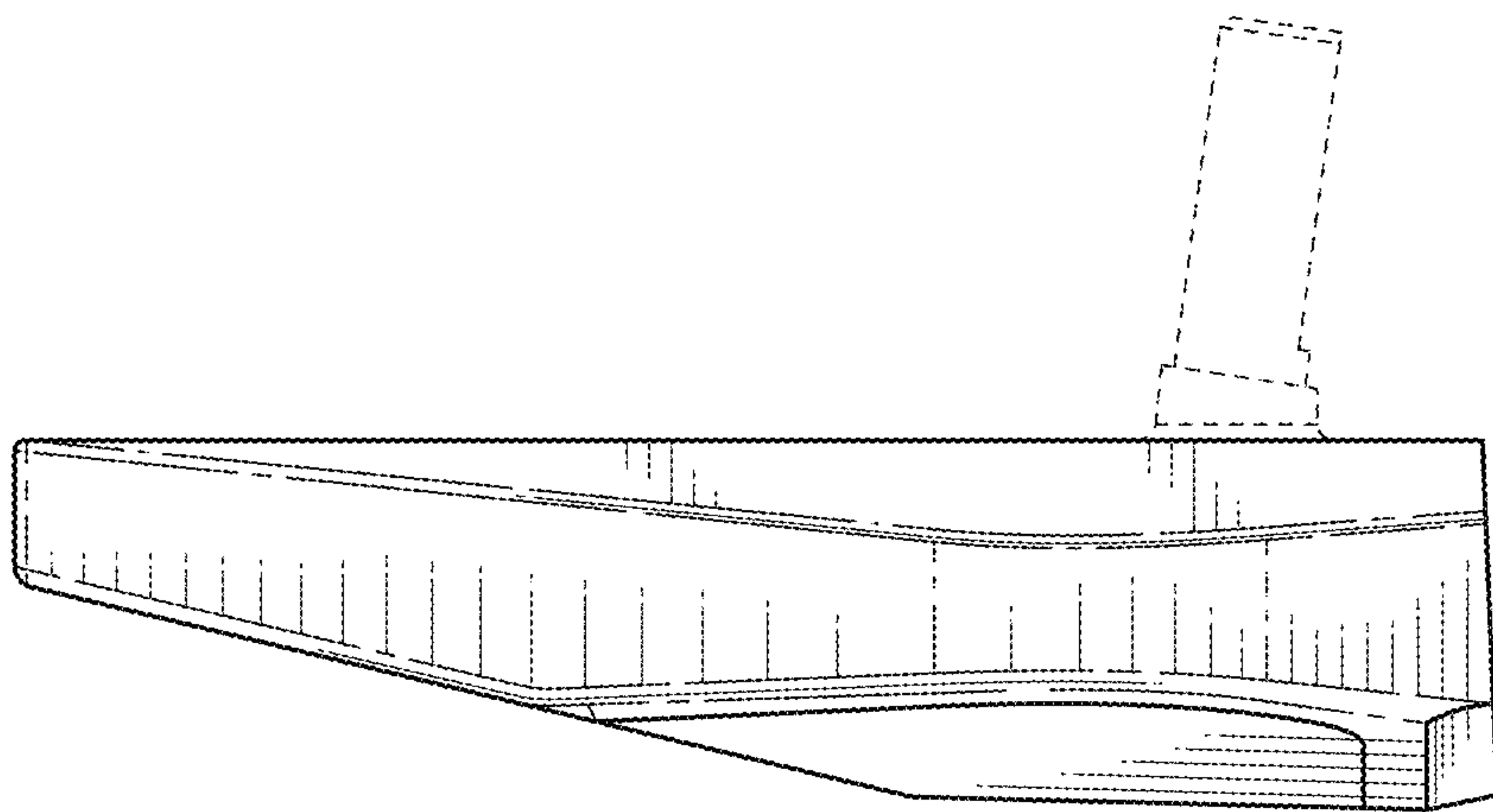


FIG. 5

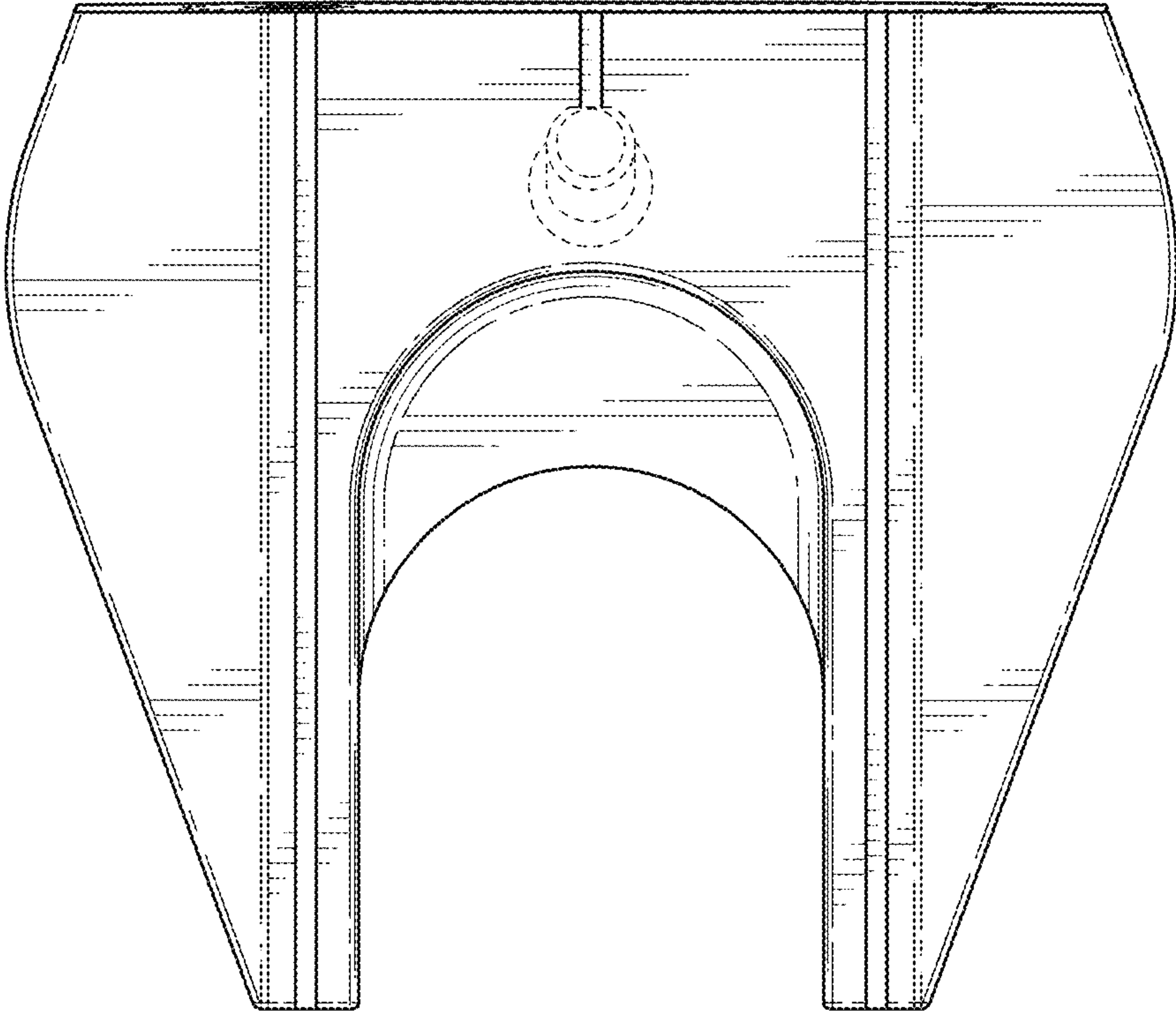


FIG. 6

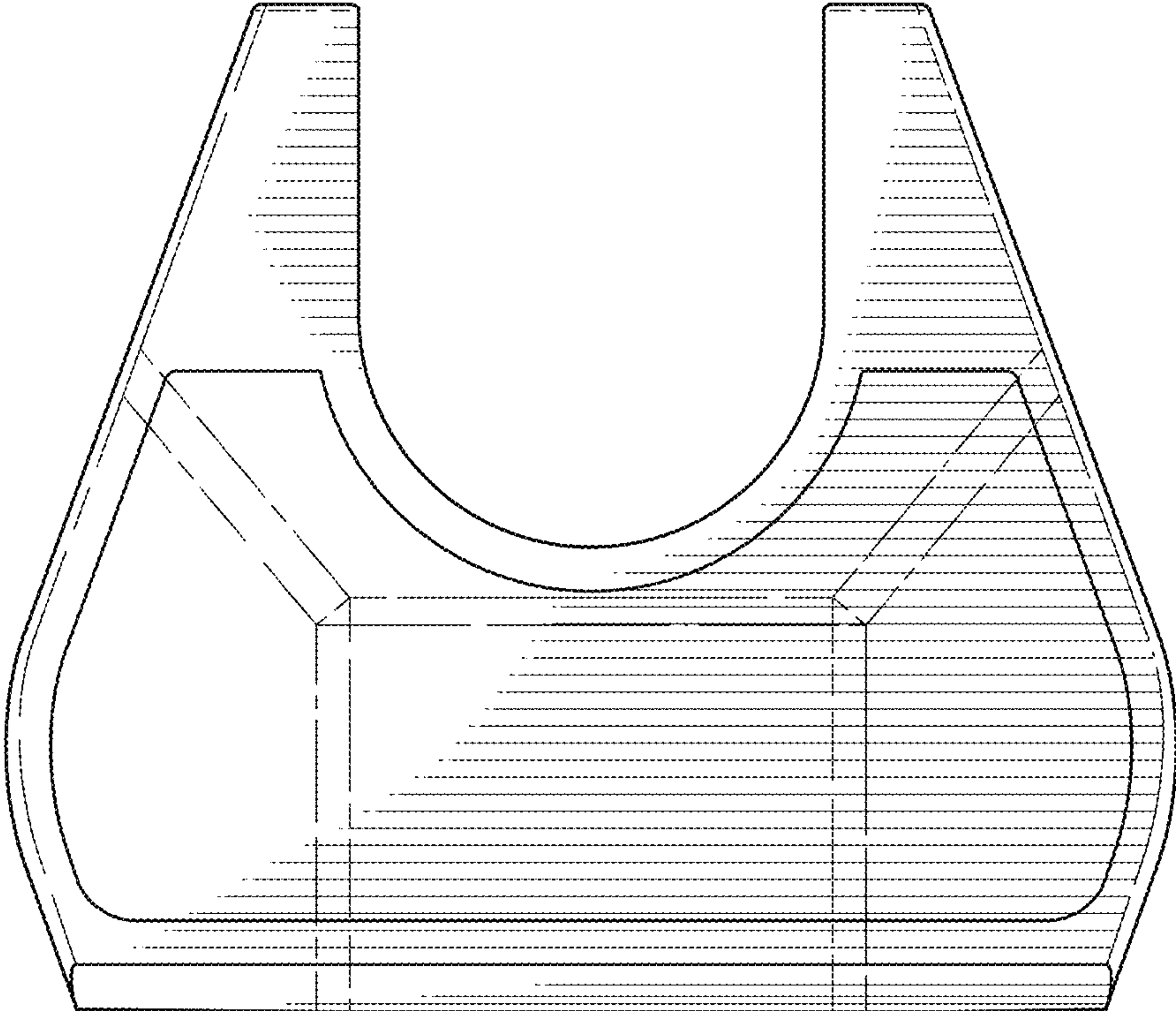


FIG. 7