



US00D777268S

(12) **United States Design Patent**  
**Becktor**

(10) **Patent No.:** **US D777,268 S**

(45) **Date of Patent:** **\*\* Jan. 24, 2017**

(54) **GOLF CLUB HEAD**

(71) Applicant: **DUNLOP SPORTS CO. LTD.**, Kobe (JP)

(72) Inventor: **Mika Becktor**, Costa Mesa, CA (US)

(73) Assignee: **DUNLOP SPORTS CO. LTD.**, Kobe (JP)

(\*\*) Term: **15 Years**

(21) Appl. No.: **29/541,383**

(22) Filed: **Oct. 2, 2015**

(51) **LOC (10) Cl.** ..... **21-02**

(52) **U.S. Cl.**  
USPC ..... **D21/742**

(58) **Field of Classification Search**  
USPC ..... D21/736-746, 759  
CPC ... A63B 53/065; A63B 53/0487; A63B 53/00;  
A63B 53/007; A63B 53/04  
See application file for complete search history.

(56) **References Cited**

**U.S. PATENT DOCUMENTS**

D228,930 S *	10/1973	Leigh	.....	D21/742
D239,402 S *	3/1976	Kindred	.....	D21/741
D291,343 S *	8/1987	Shearer	.....	D21/744
D297,445 S *	8/1988	Shearer	.....	D21/743
D297,446 S *	8/1988	Shearer	.....	D21/743
D297,964 S *	10/1988	Shearer	.....	D21/743
D322,829 S *	12/1991	Antonious	.....	D21/742
D325,950 S *	5/1992	Duran	.....	D21/744
D337,803 S *	7/1993	Sillers	.....	D21/741
5,405,136 A	4/1995	Hardman		
5,417,429 A *	5/1995	Strand	..... A63B 69/3685	473/251
D360,669 S *	7/1995	Buscemi	.....	D21/743
5,464,212 A	11/1995	Cook		

D380,514 S *	7/1997	Markley	.....	D21/741
5,766,093 A	6/1998	Rohrer		
5,944,619 A	8/1999	Cameron		
6,302,807 B1	10/2001	Rohrer		
6,375,583 B1	4/2002	Solheim		
6,680,822 B1	1/2004	Lin et al.		
D511,801 S *	11/2005	Garcia	.....	D21/742
7,175,540 B2	2/2007	Sano		
7,455,599 B2	11/2008	Jones		

(Continued)

**OTHER PUBLICATIONS**

Nike Golf Method Converge M1-08 Putter. Information and images available at: <<http://www.golfwrx.com/246795/full-nike-2015-equipment-line>>. pp. 10-11. Oct. 1, 2014.

(Continued)

*Primary Examiner* — Mitchell Siegel

(74) *Attorney, Agent, or Firm* — Olif PLC

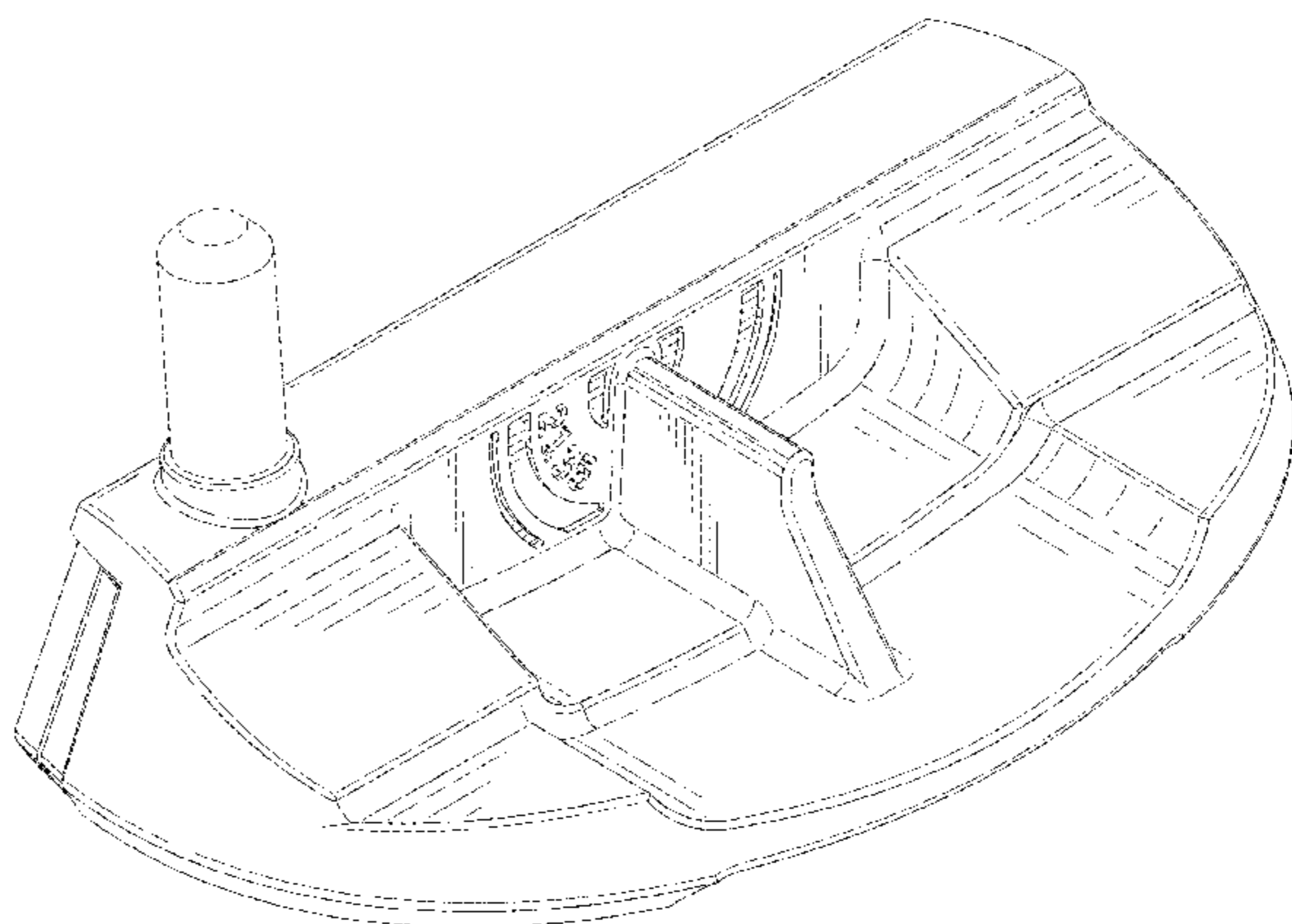
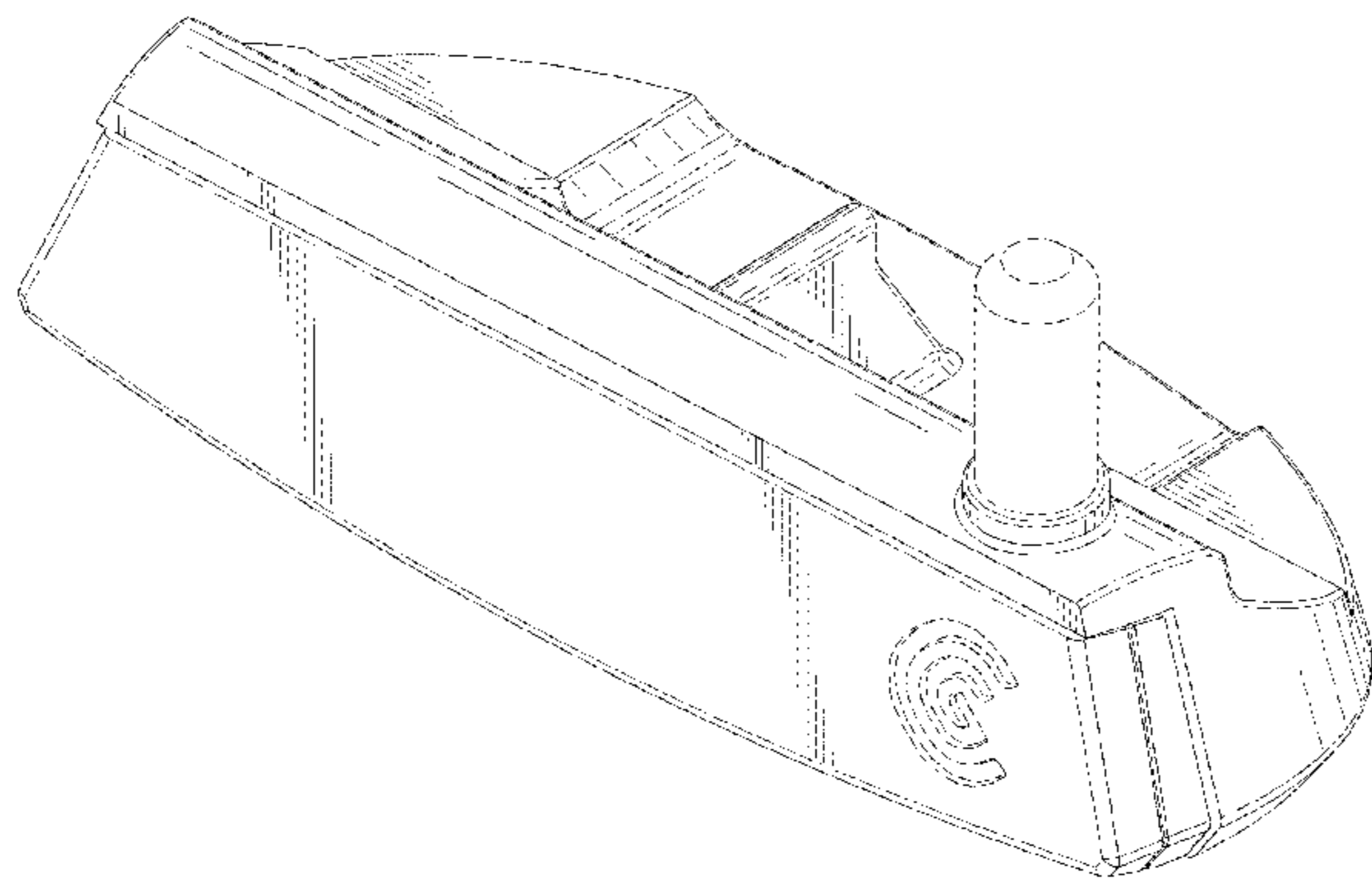
(57) **CLAIM**

The ornamental design for a golf club head, as shown and described.

**DESCRIPTION**

FIG. 1 is a front, heel-side, top perspective view of the golf club head;  
FIG. 2 is a rear, heel-side, top perspective view thereof;  
FIG. 3 is a front elevational view thereof;  
FIG. 4 is a top plan view thereof;  
FIG. 5 is a heel-side elevational view thereof;  
FIG. 6 is a toe-side elevational view thereof;  
FIG. 7 is a rear elevational view thereof; and,  
FIG. 8 is a bottom plan view thereof.  
The broken lines depict environmental subject matter only and form no part of the claimed design.

**1 Claim, 7 Drawing Sheets**



(56)

**References Cited**

U.S. PATENT DOCUMENTS

7,648,424	B2	1/2010	Hinojosa	
D641,440	S *	7/2011	Hettinger .....	D21/743
D691,681	S *	10/2013	Hilton .....	D21/736
8,771,098	B2	7/2014	Hilton	
8,834,285	B2	9/2014	Franklin et al.	
D730,462	S	5/2015	Becktor et al.	
D730,463	S	5/2015	Dolezel et al.	
D732,120	S	6/2015	Becktor et al.	
D732,121	S	6/2015	Trahan et al.	
D732,122	S	6/2015	Becktor	
D732,618	S	6/2015	Becktor et al.	
D733,233	S	6/2015	Dolezel et al.	
2010/0173720	A1 *	7/2010	Kim .....	A63B 53/0487 473/252
2012/0149492	A1	6/2012	Del Rosario et al.	
2014/0194220	A1	7/2014	Hocknell et al.	

OTHER PUBLICATIONS

Nike Method Converge B1-01 Putter. Information and images available at: <<http://www.golfwrx.com/246795/full-nike-2015-equipment-line>>. Oct. 1, 2014.

Nike Method Converge S1-12 Putter. Information and images available at: <<http://www.golfwrx.com/246795/full-nike-2015-equipment-line>>. Oct. 1, 2014.

Cobra Golf Payday putter. Information and images available at: <[http://valueguide.pga.com/detail-exec/brand/2678/product\\_type/206/model/44329/b/Cobra/p/Putter/m/Payday%20Mallet](http://valueguide.pga.com/detail-exec/brand/2678/product_type/206/model/44329/b/Cobra/p/Putter/m/Payday%20Mallet)>. Nov. 26, 2007.

Cobra Golf Bobby Grace Cute Kid Putter. Information and images available at: <[https://valueguide.pga.com/detail-exec/brand/2678/product\\_type/206/model/43637/b/Cobra/p/Putter/m/Bobby%20Grace%20The%20Cute%20Kid](https://valueguide.pga.com/detail-exec/brand/2678/product_type/206/model/43637/b/Cobra/p/Putter/m/Bobby%20Grace%20The%20Cute%20Kid)>. Nov. 26, 2007.

\* cited by examiner

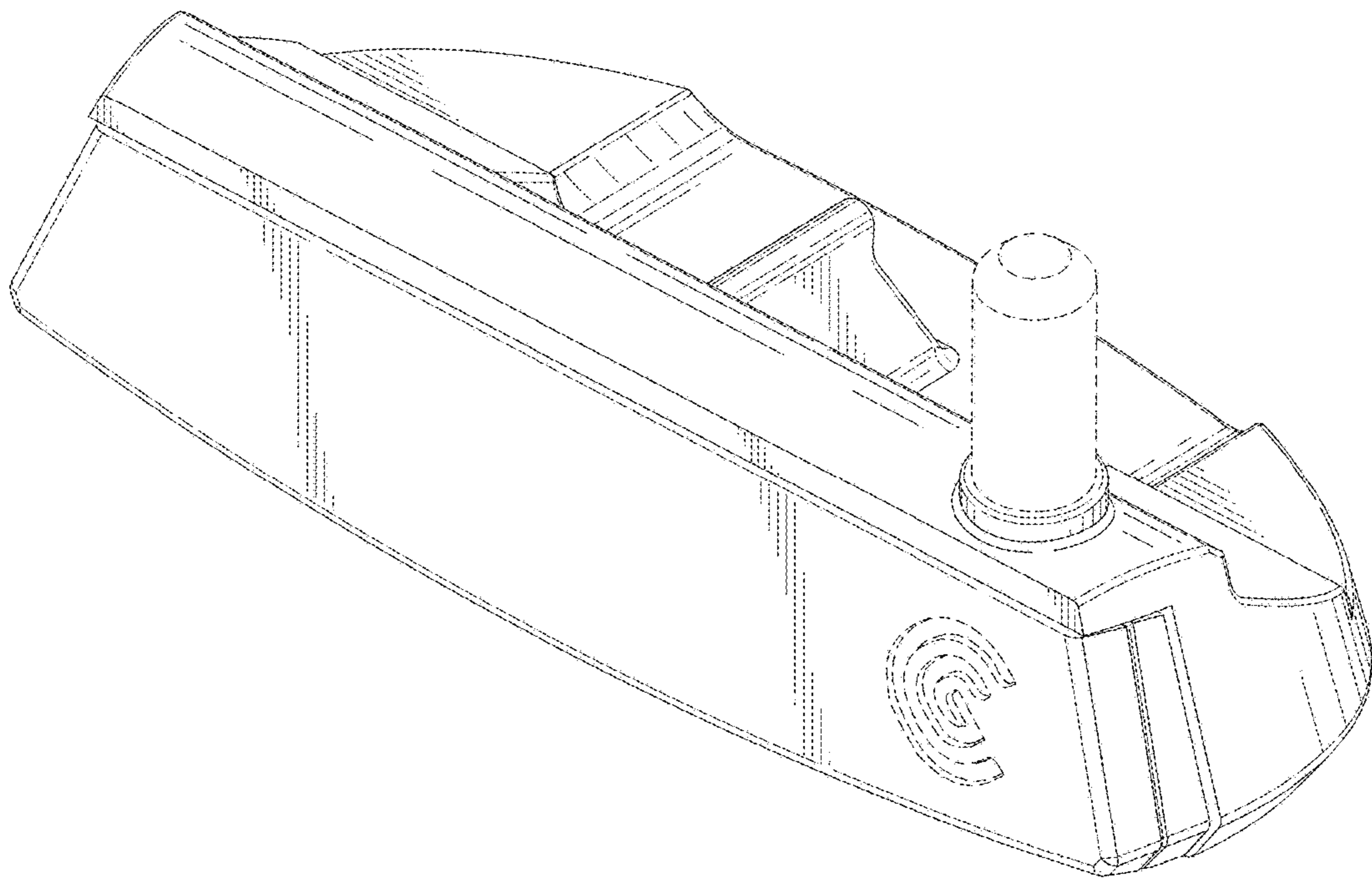


FIG. 1

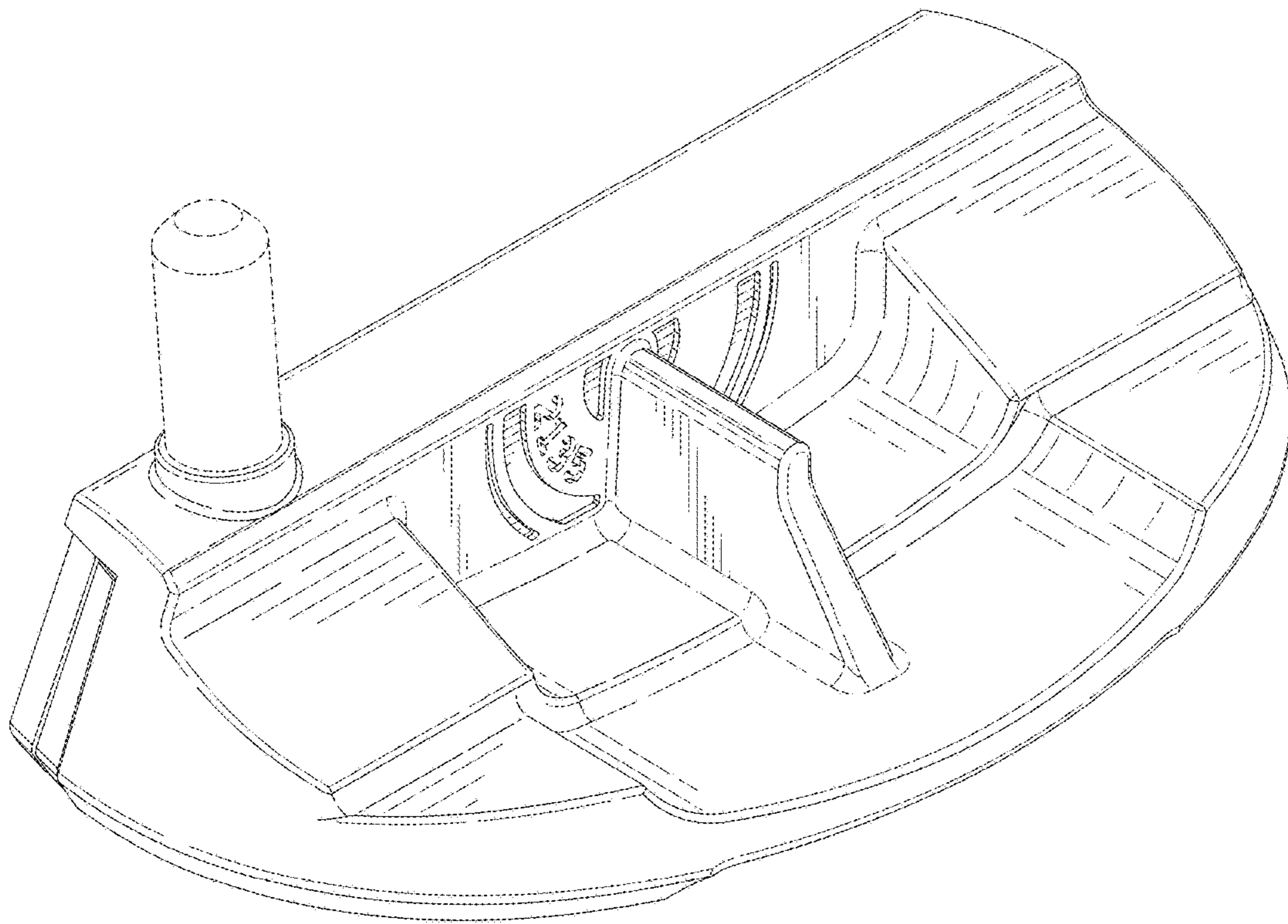


FIG. 2

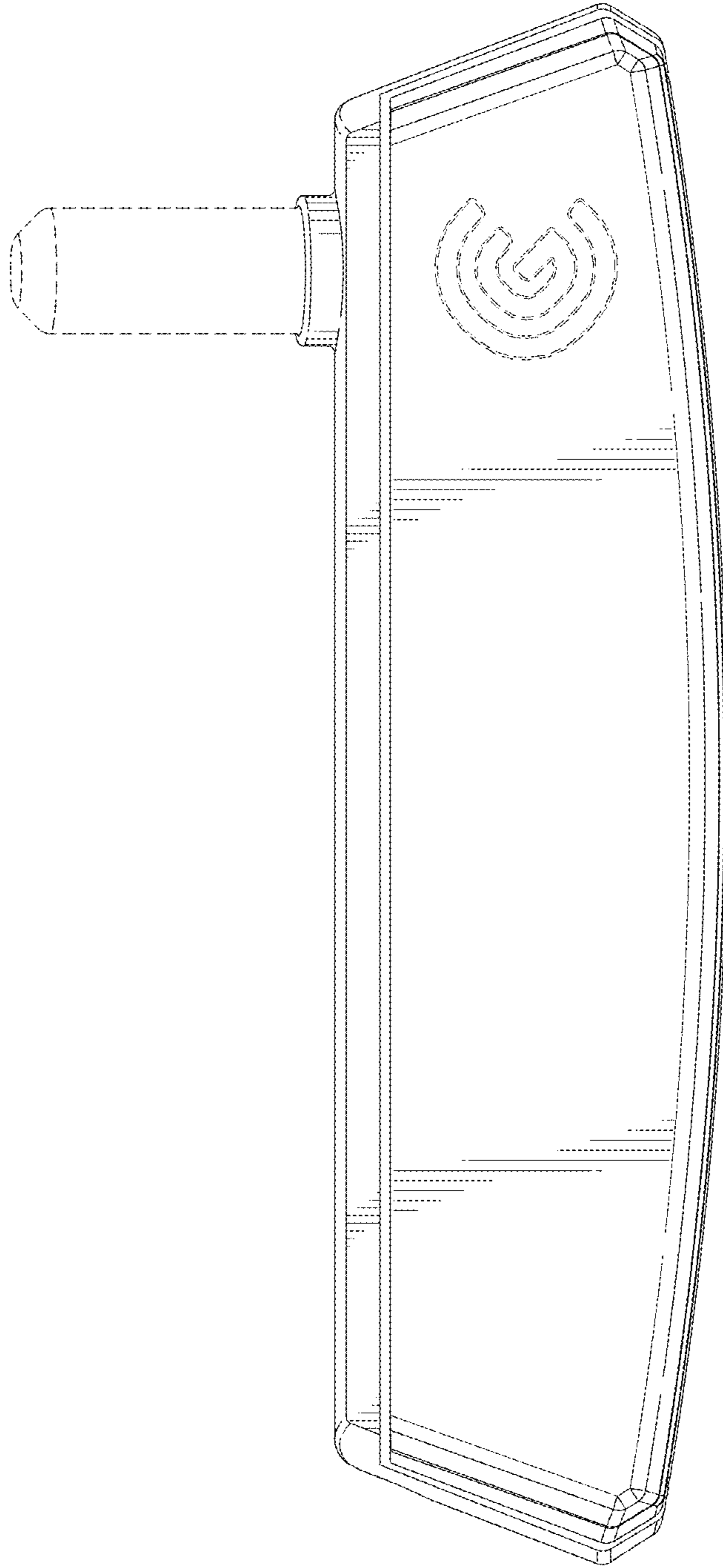


FIG. 3

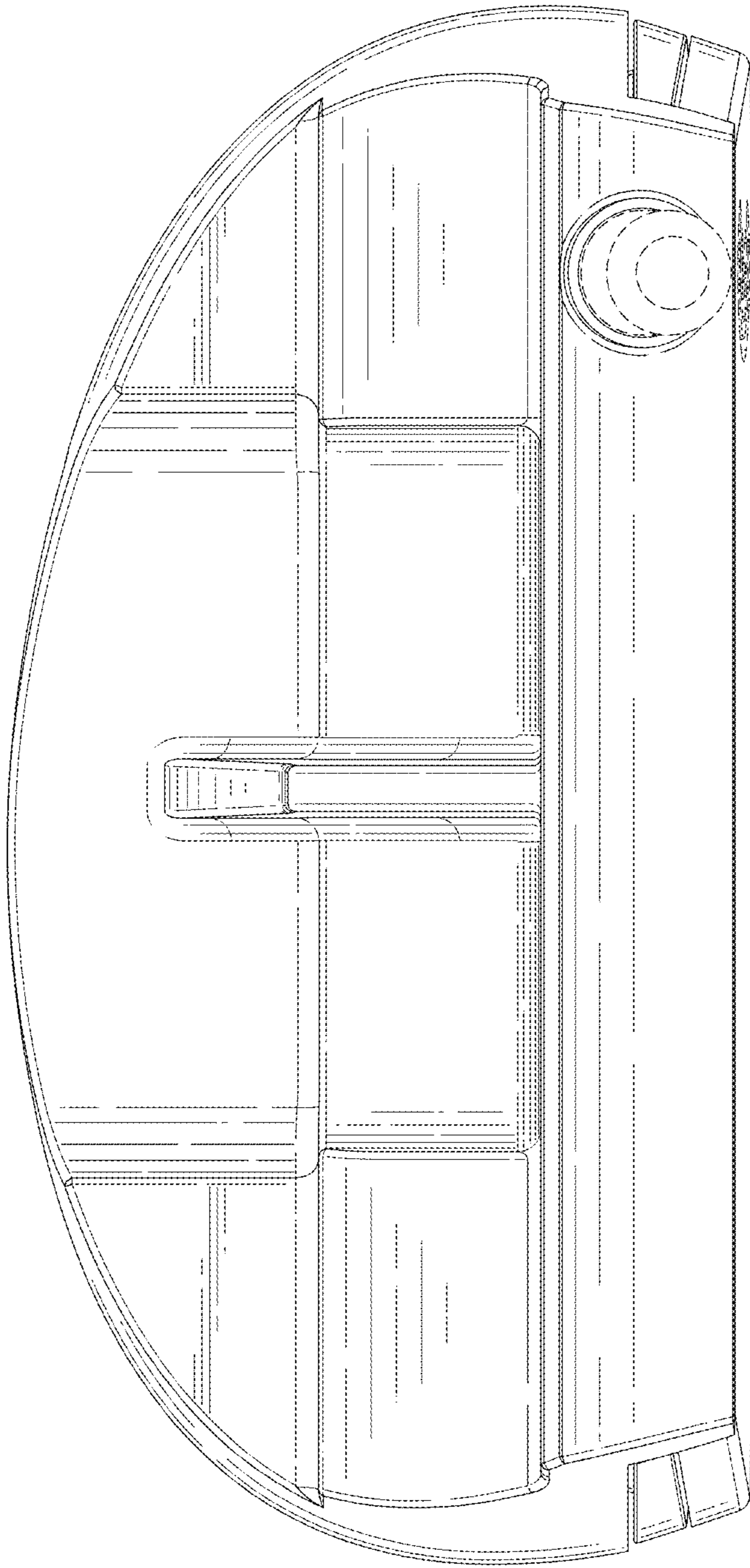


FIG. 4

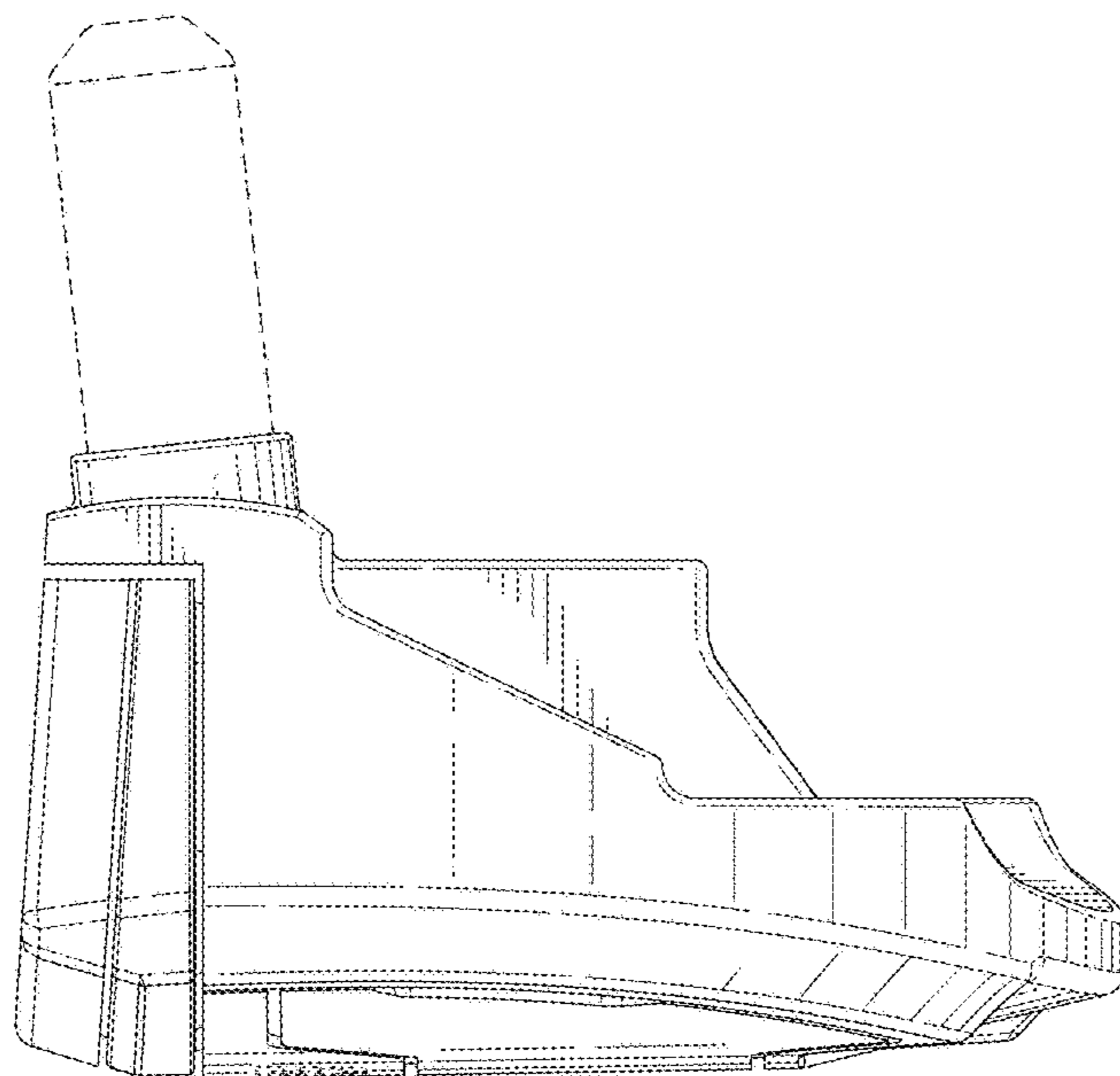


FIG. 5

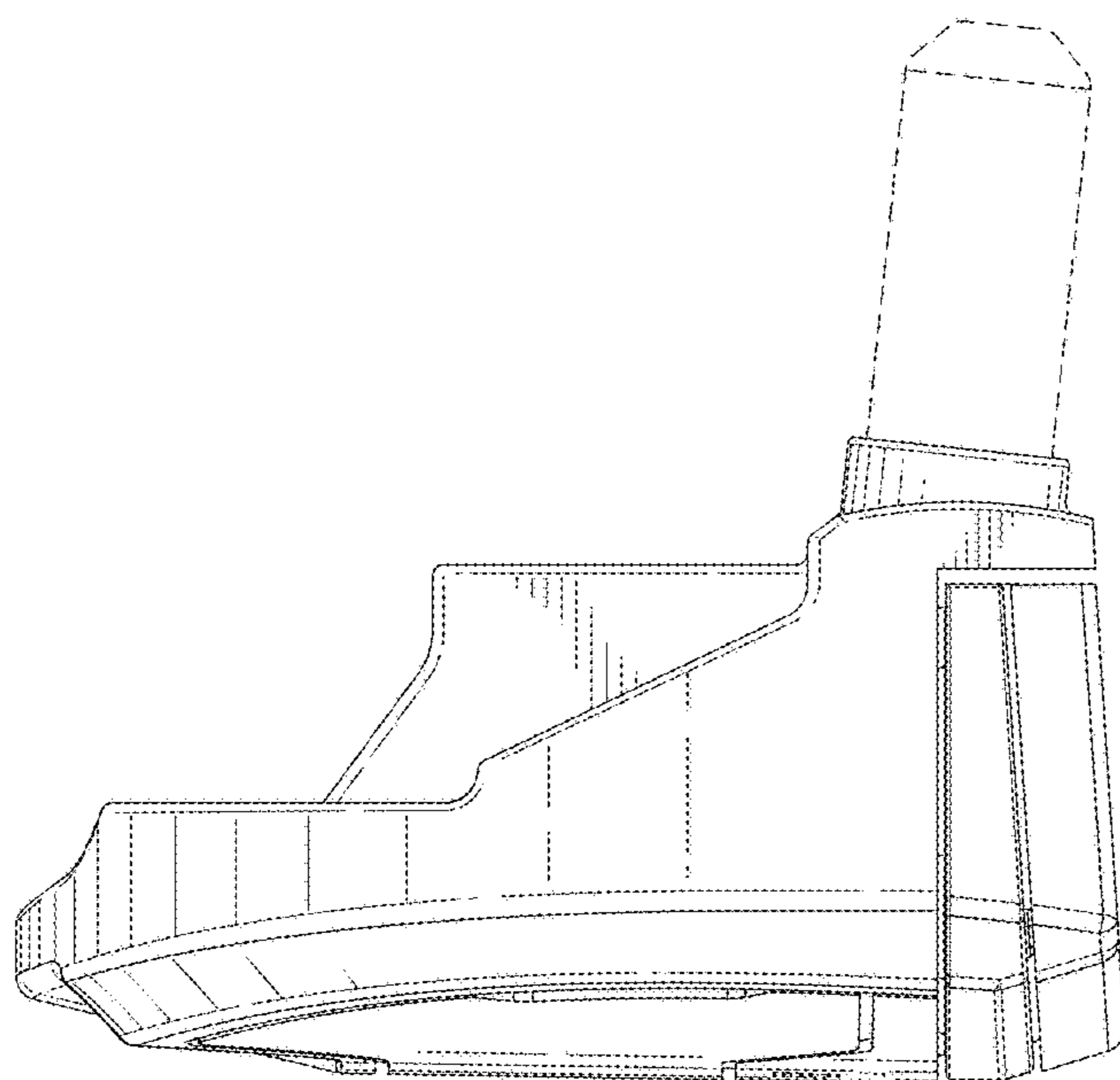


FIG. 6

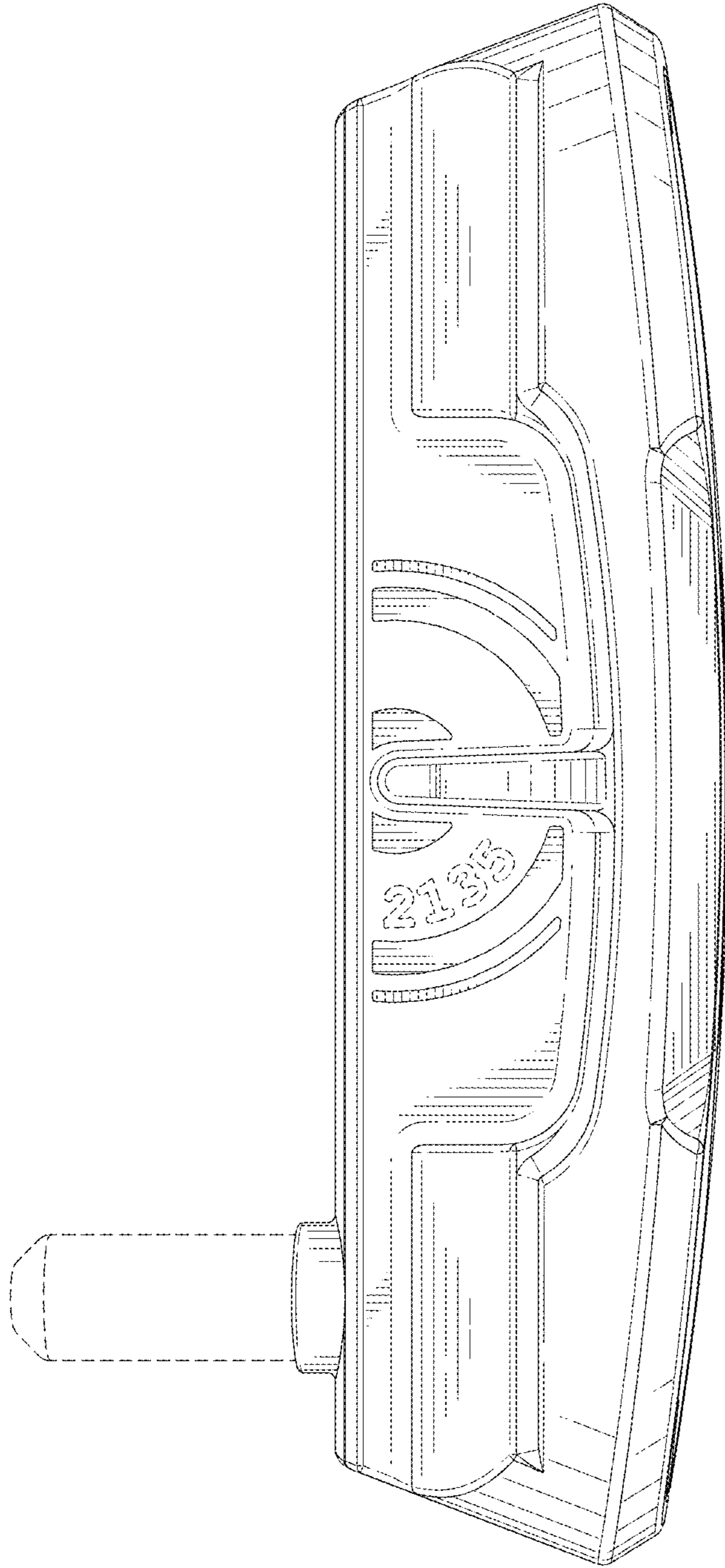


FIG. 7



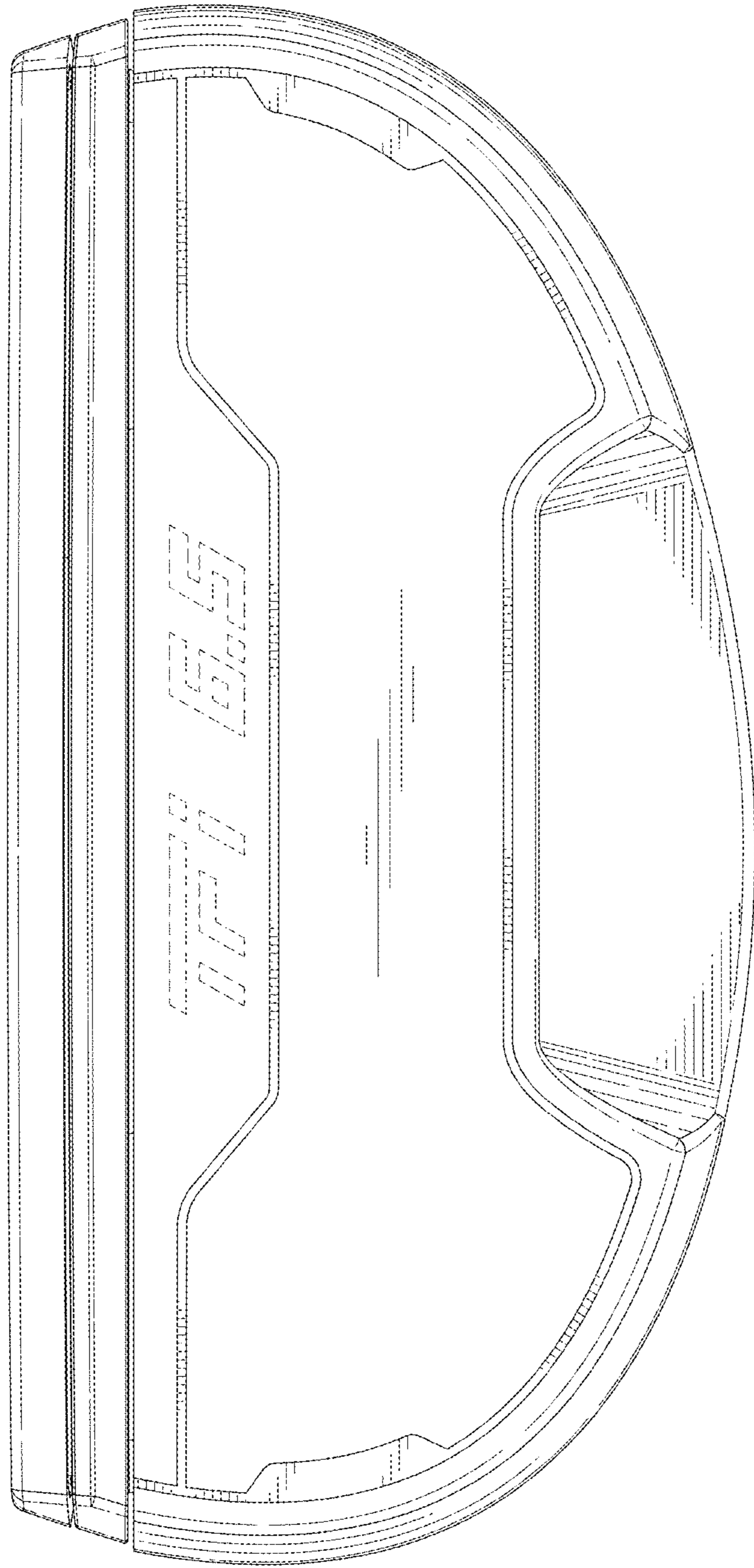


FIG. 8