



US00D777267S

(12) **United States Design Patent**
Dolezel

(10) **Patent No.:** **US D777,267 S**

(45) **Date of Patent:** **** Jan. 24, 2017**

(54) **GOLF CLUB HEAD**

(71) Applicant: **DUNLOP SPORTS CO., LTD.**, Kobe
(JP)

(72) Inventor: **Keith Dolezel**, West Covina, CA (US)

(73) Assignee: **DUNLOP SPORTS CO. LTD.**, Kobe
(JP)

(**) Term: **15 Years**

(21) Appl. No.: **29/541,366**

(22) Filed: **Oct. 2, 2015**

(51) **LOC (10) Cl.** **21-02**

(52) **U.S. Cl.**
USPC **D21/742**

(58) **Field of Classification Search**
USPC D21/736-746, 759
CPC ... A63B 53/065; A63B 53/0487; A63B 53/00;
A63B 53/007; A63B 53/04
See application file for complete search history.

(56) **References Cited**

U.S. PATENT DOCUMENTS

5,405,136	A	4/1995	Hardman	
5,464,212	A	11/1995	Cook	
5,766,093	A	6/1998	Rohrer	
5,944,619	A	8/1999	Cameron	
6,302,807	B1	10/2001	Rohrer	
6,375,583	B1	4/2002	Solheim	
6,680,822	B1	1/2004	Lin et al.	
D513,777	S *	1/2006	Cuellar	D21/759
7,175,540	B2	2/2007	Sano	
D571,879	S *	6/2008	Jones	D21/736
D572,780	S *	7/2008	Rollinson	D21/744
D574,907	S *	8/2008	Jones	D21/736
D575,366	S *	8/2008	Rollinson	D21/744
7,455,599	B2	11/2008	Jones	

D590,035	S *	4/2009	Hilton	D21/744
D591,372	S *	4/2009	Tang	D21/743
D594,517	S *	6/2009	Tang	D21/736
D595,793	S *	7/2009	Rollinson	D21/736
7,648,424	B2	1/2010	Hinojosa	
D623,710	S *	9/2010	Hilton	D21/743
D643,487	S *	8/2011	Serrano	D21/742
D709,971	S *	7/2014	Trahan	D21/759
D709,973	S *	7/2014	Trahan	D21/759

(Continued)

OTHER PUBLICATIONS

Nike Golf Method Converge M1-08 Putter. Information and images available at: <<http://www.golfwrx.com/246795/full-nike-2015-equipment-line>>, pp. 10-11. Oct. 1, 2014.

(Continued)

Primary Examiner — Mitchell Siegel

(74) *Attorney, Agent, or Firm* — Oliff PLC

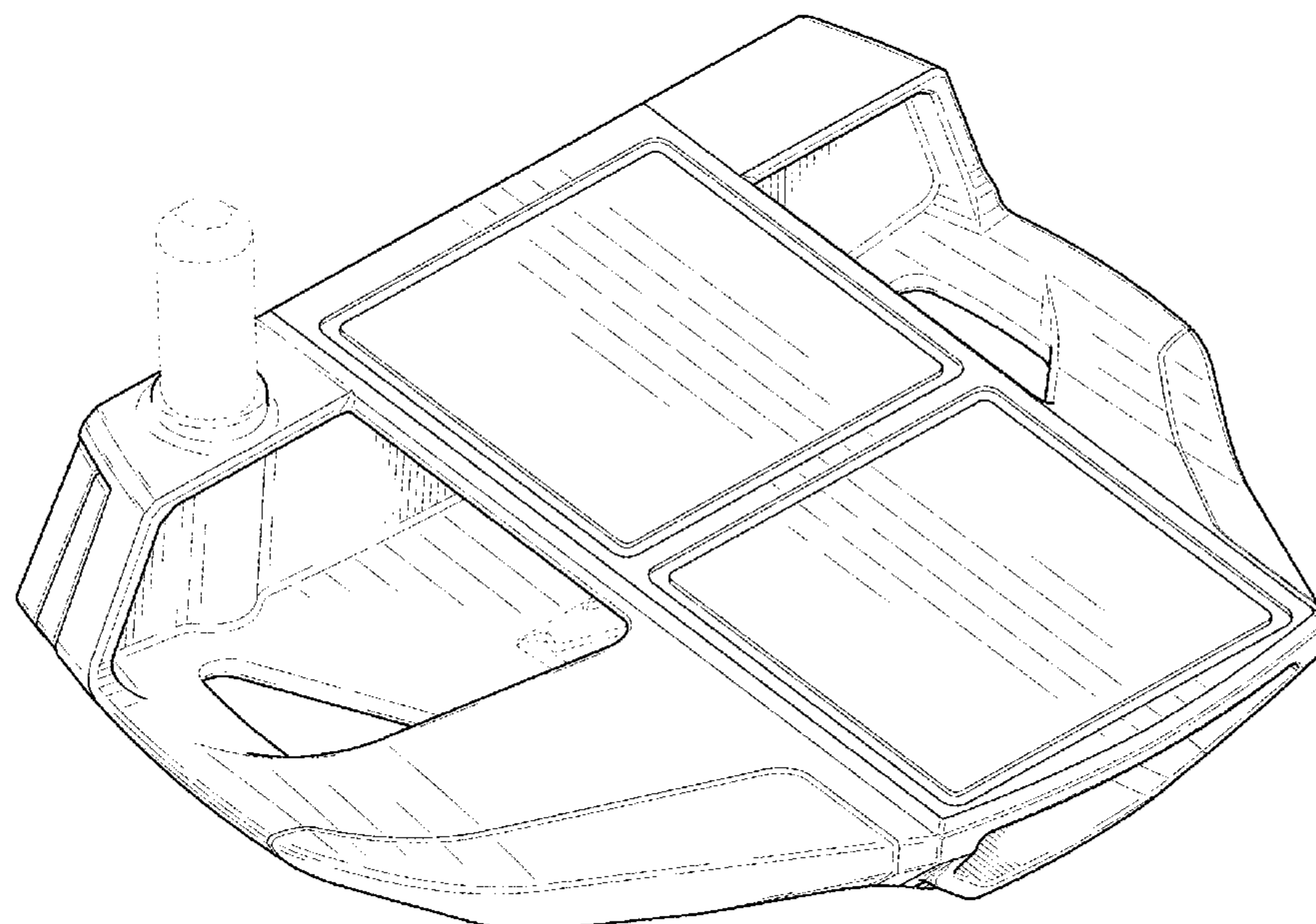
(57) **CLAIM**

The ornamental design for a golf club head, as shown and described.

DESCRIPTION

FIG. 1 is a front, heel-side, top perspective view of the golf club head;
FIG. 2 is a front elevational view thereof;
FIG. 3 is a top plan view thereof;
FIG. 4 is a toe-side elevational view thereof;
FIG. 5 is a heel-side elevational view thereof;
FIG. 6 is a rear elevational view thereof;
FIG. 7 is a bottom plan view thereof; and,
FIG. 8 is a rear, heel-side, top perspective view thereof.
The broken lines depict environmental subject matter only and form no part of the claimed design.

1 Claim, 7 Drawing Sheets



(56)

References Cited

U.S. PATENT DOCUMENTS

8,771,098 B2 7/2014 Hilton
D710,469 S * 8/2014 Trahan D21/759
D710,470 S * 8/2014 Trahan D21/759
8,834,285 B2 9/2014 Franklin et al.
D730,462 S * 5/2015 Becktor D21/742
D730,463 S * 5/2015 Dolezel D21/742
D732,120 S * 6/2015 Becktor D21/742
D732,121 S * 6/2015 Trahan D21/742
D732,122 S * 6/2015 Becktor D21/742
D732,618 S * 6/2015 Becktor D21/742
D733,233 S 6/2015 Dolezel et al.
D757,193 S * 5/2016 Dolezel D21/759
2012/0149492 A1 6/2012 Del Rosario et al.
2014/0194220 A1 7/2014 Hocknell et al.

OTHER PUBLICATIONS

Nike Method Converge B1-01 Putter. Information and images available at: <<http://www.golfwrx.com/246795/full-nike-2015-equipment-line>>. Oct. 1, 2014.

Nike Method Converge S1-12 Putter. Information and images available at: <<http://www.golfwrx.com/246795/full-nike-2015-equipment-line>>. Oct. 1, 2014.

Cobra Golf Payday putter. Information and images available at: <http://valueguide.pga.com/detail-exec/brand/2678/product_type/206/model/44329/b/Cobra/p/Putter/m/Payday%20Mallet>. Nov. 26, 2007.

Cobra Golf Bobby Grace Cute Kid Putter. Information and images available at: <https://valueguide.pga.com/detail-exec/brand/2678/product_type/206/model/43637/b/Cobra/p/Putter/m/Bobby%20Grace%20The%20Cute%20Kid>. Nov. 26, 2007.

* cited by examiner

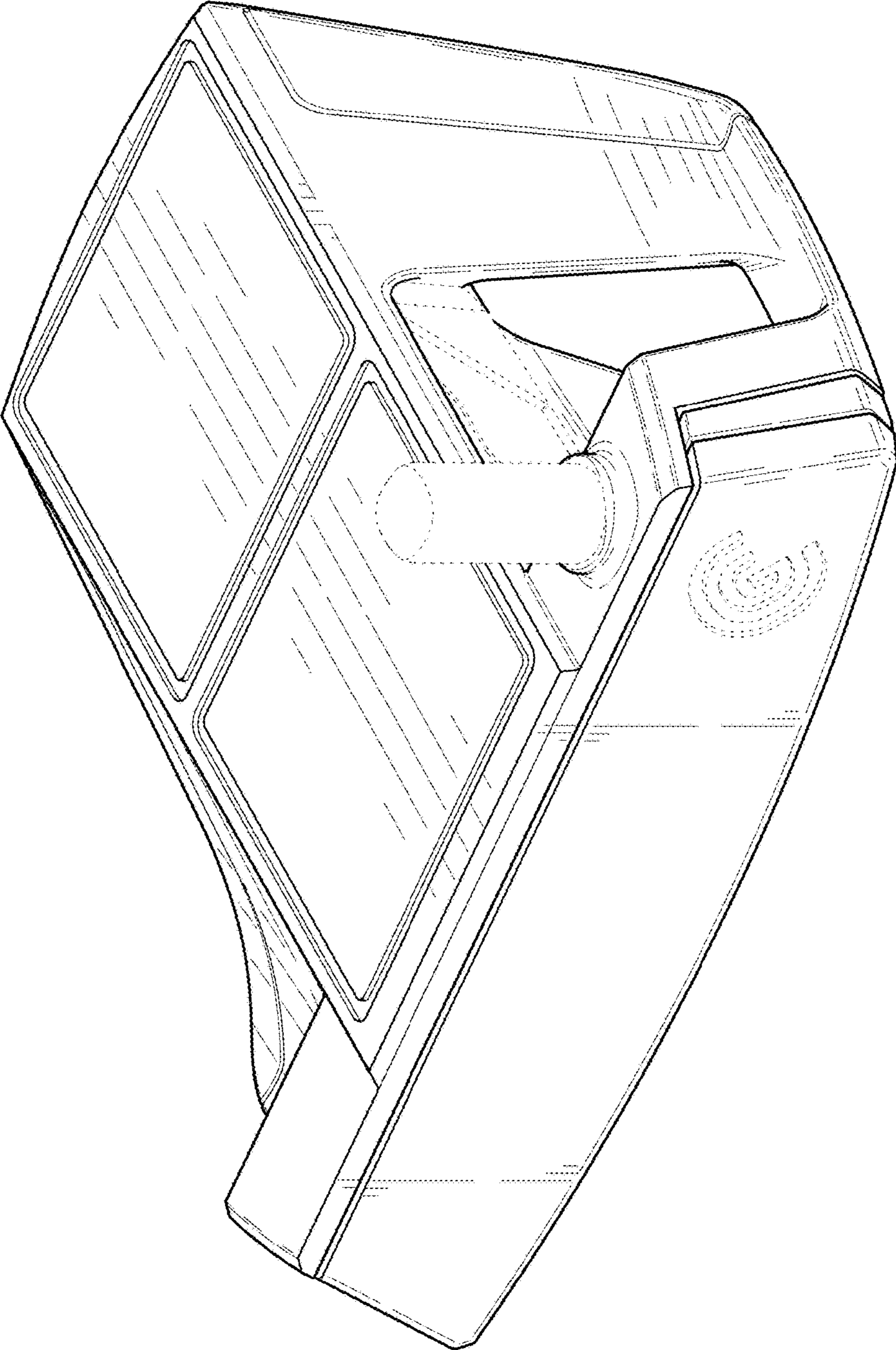


FIG. 1

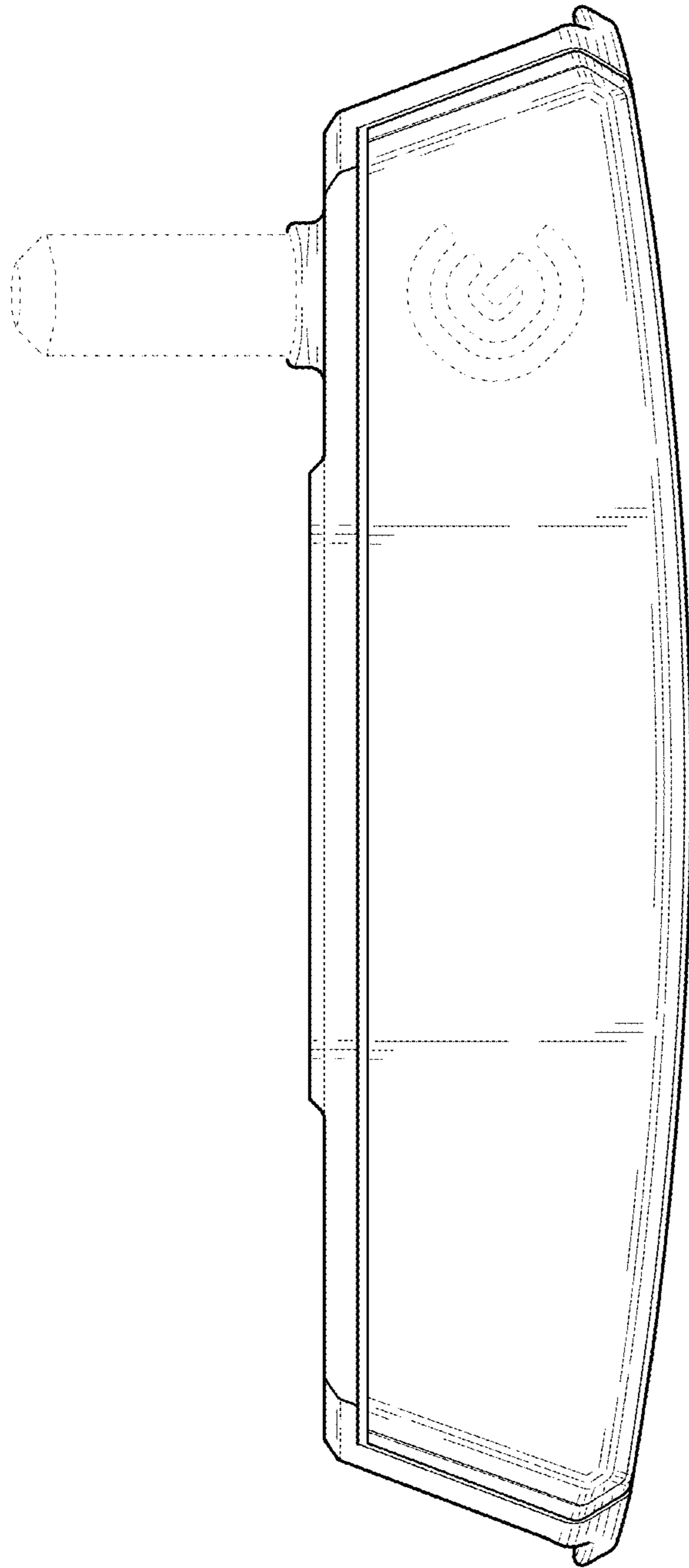


FIG. 2

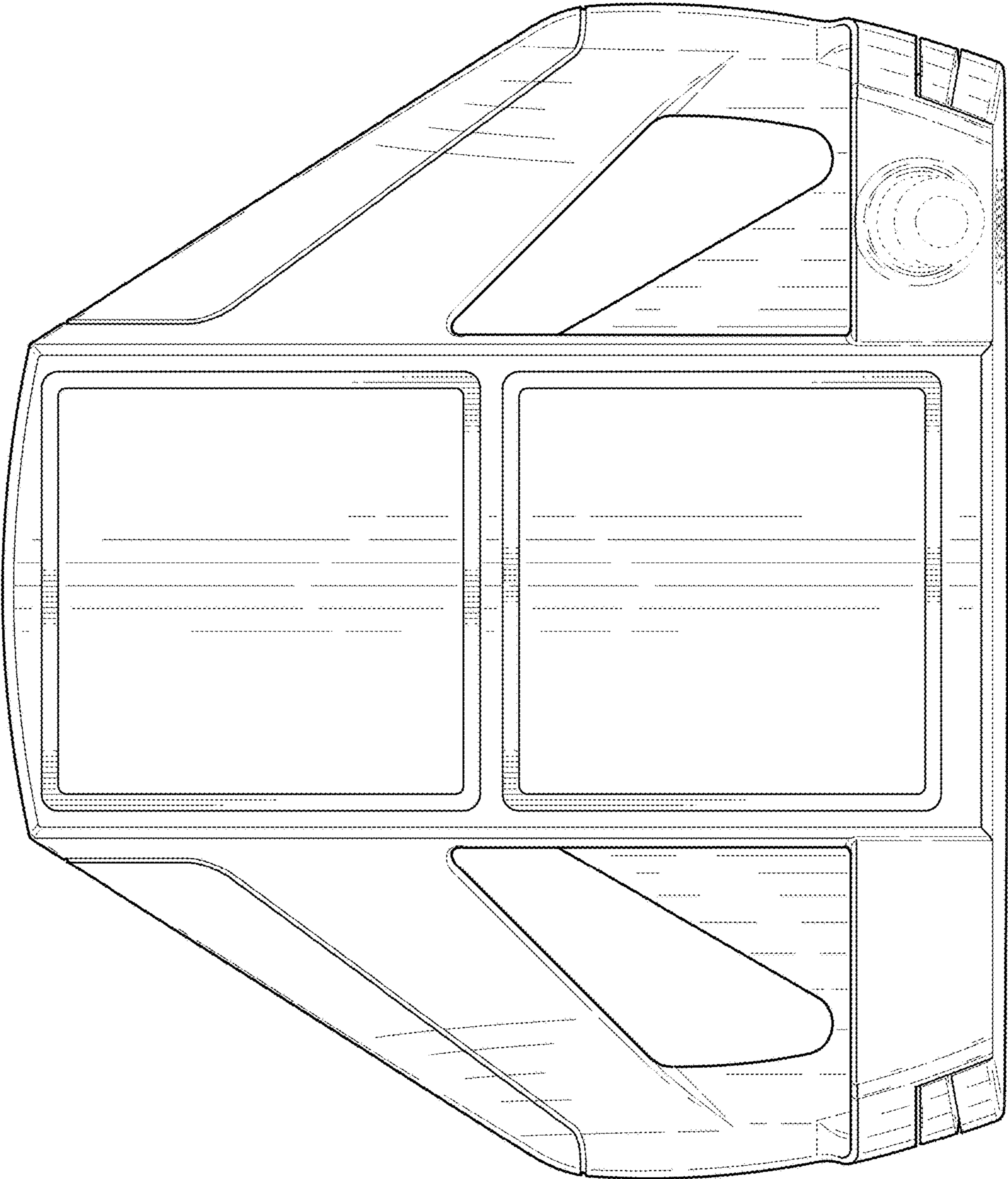


FIG. 3

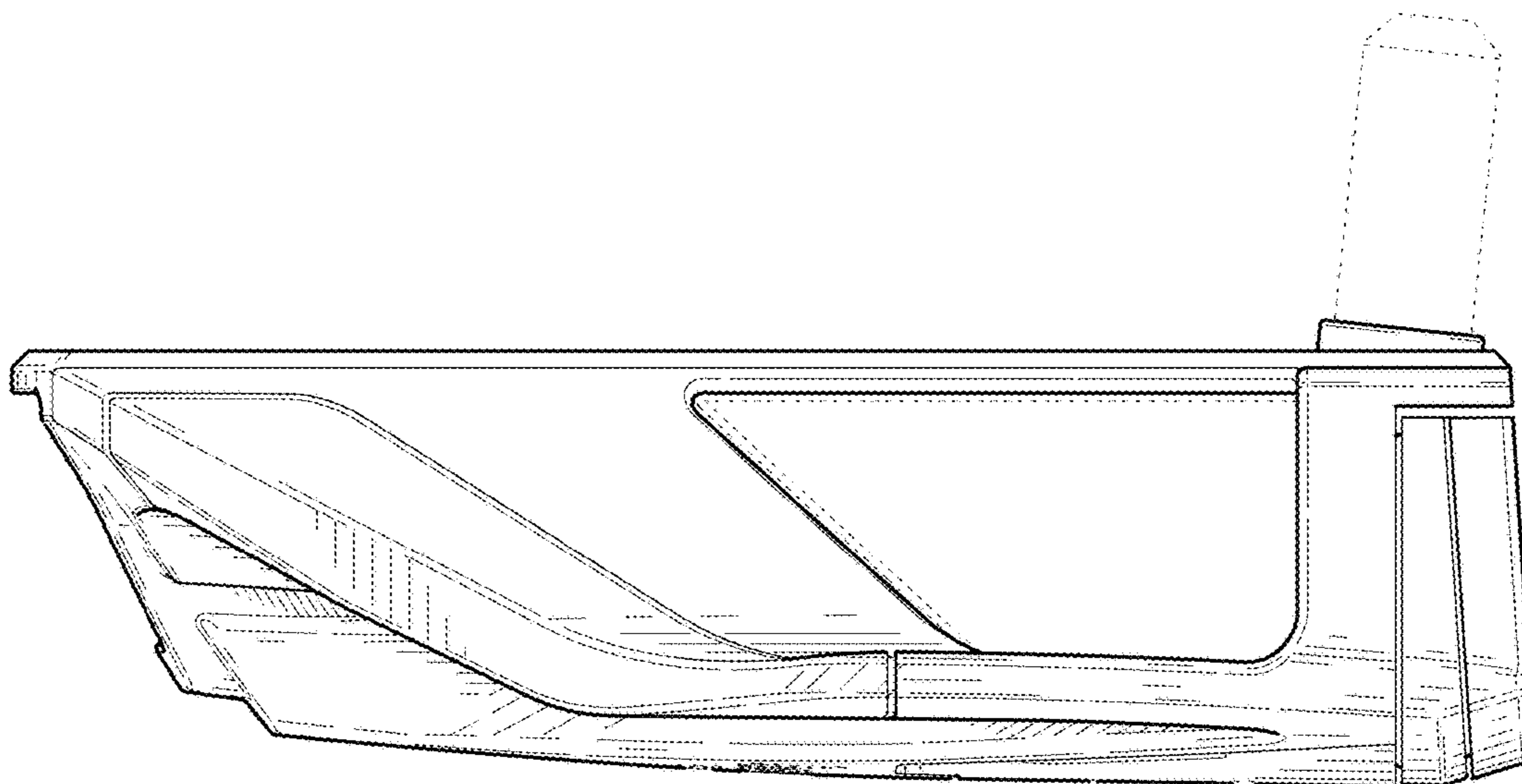


FIG. 4

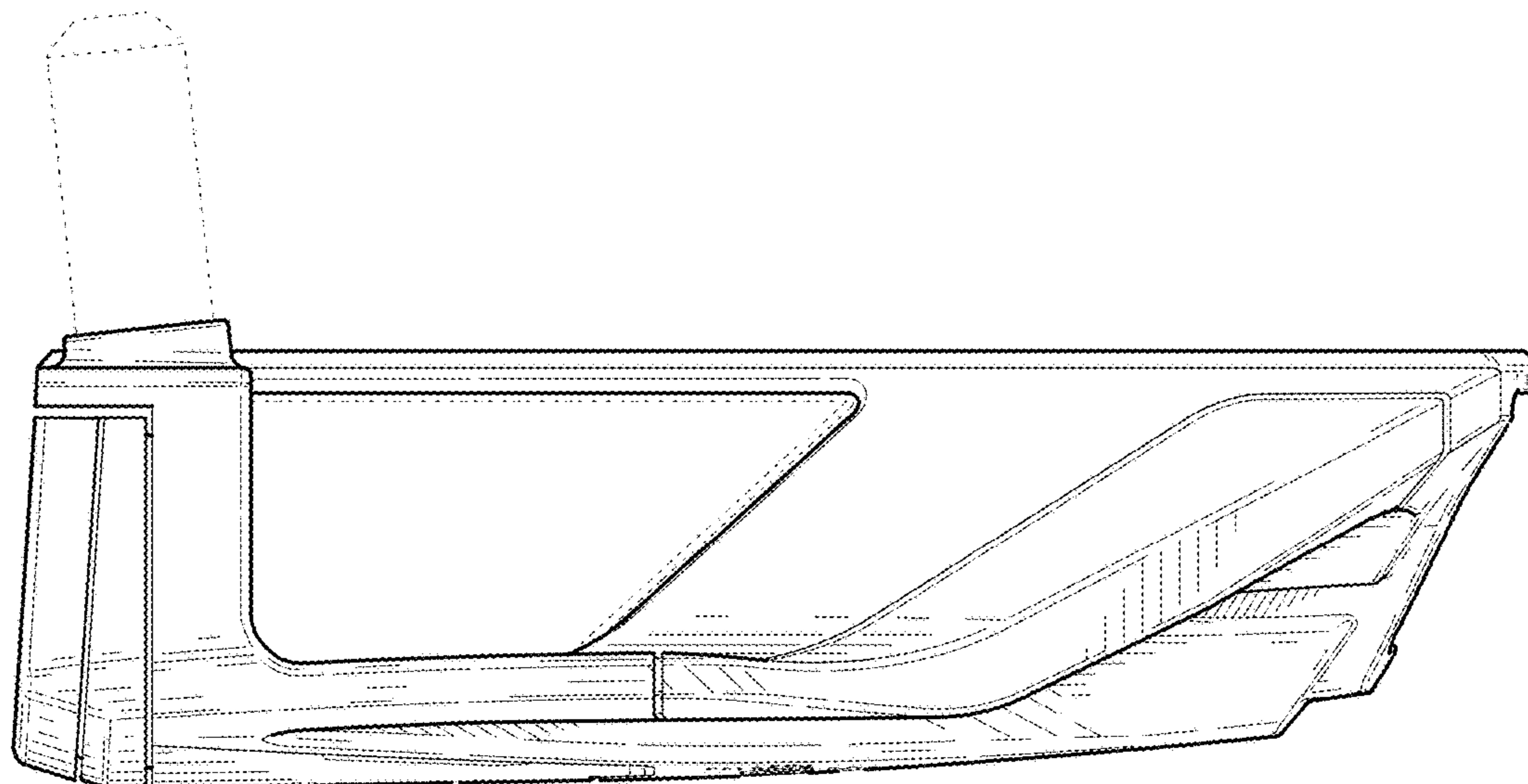


FIG. 5

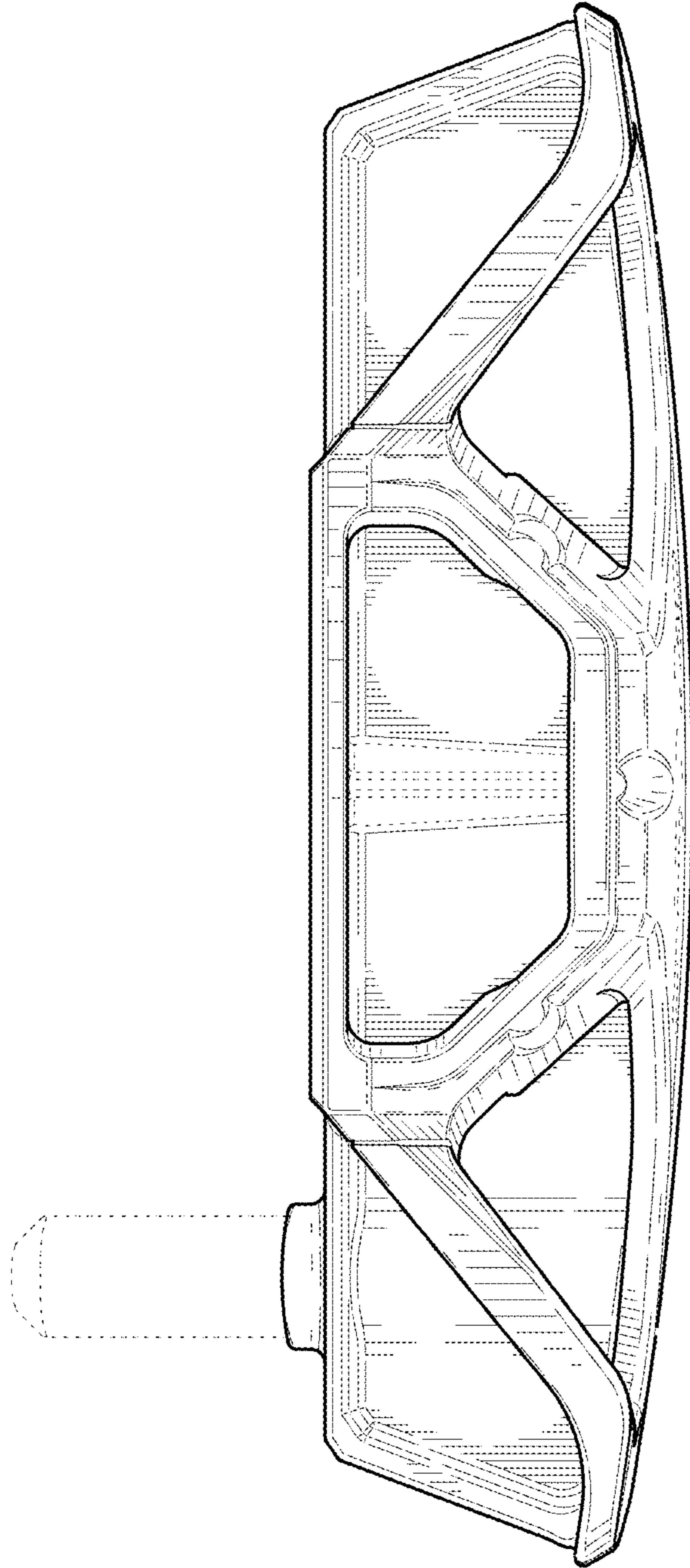


FIG. 6

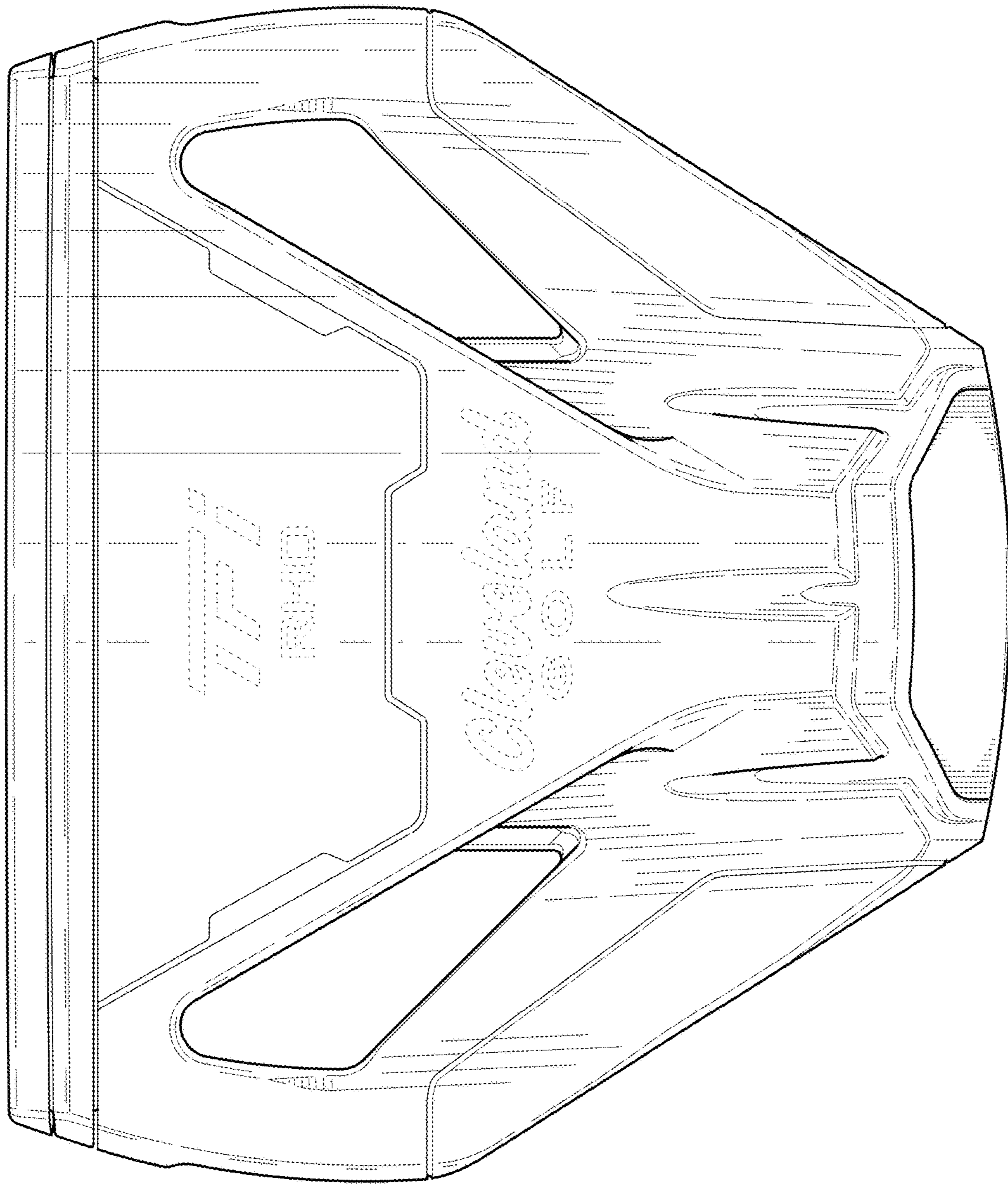


FIG. 7

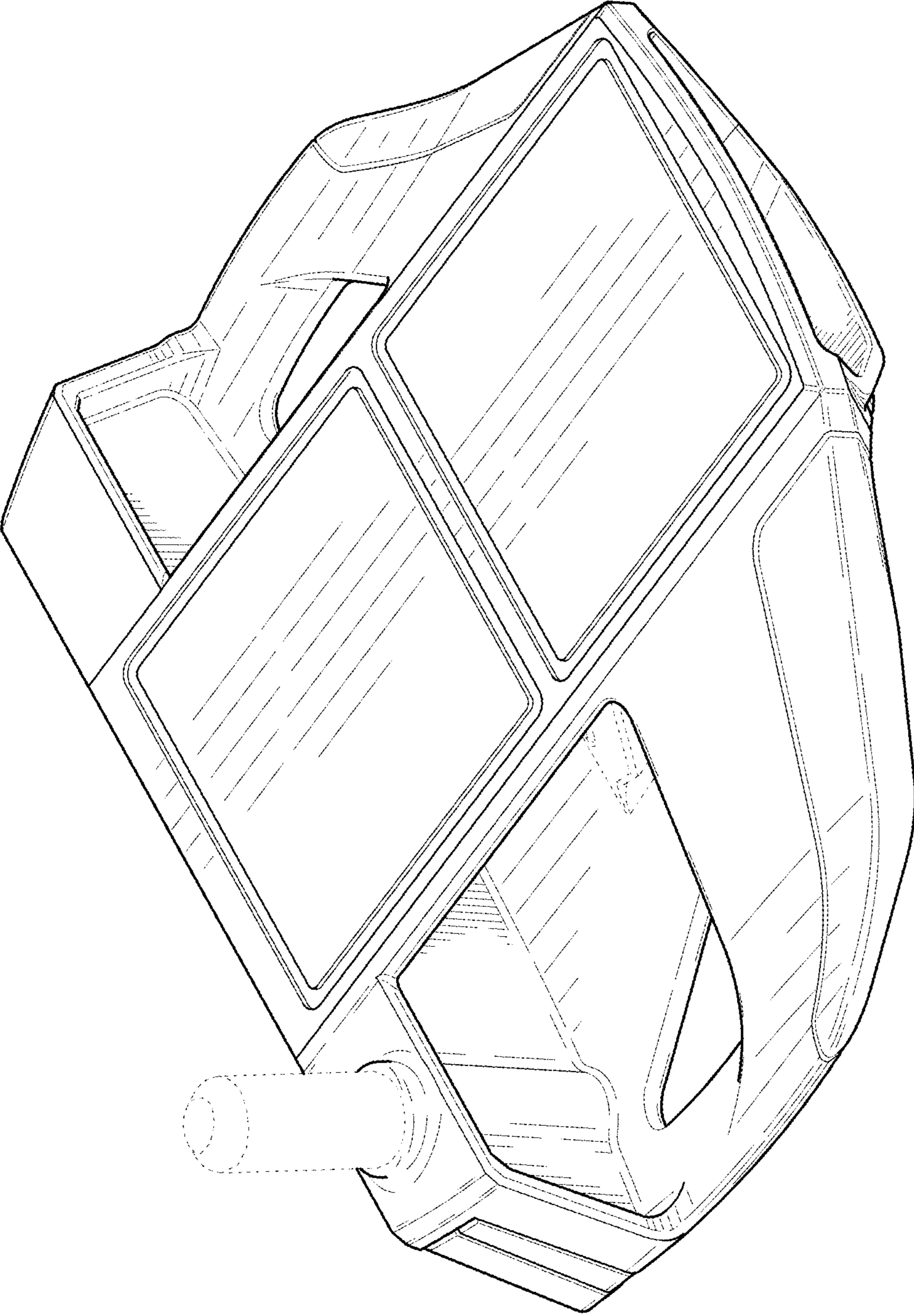


FIG. 8