



US00D777266S

(12) **United States Design Patent**
Davies, III

(10) **Patent No.:** **US D777,266 S**
(45) **Date of Patent:** **** Jan. 24, 2017**

- (54) **OCTAGON WEIGHT PLATE**
- (71) Applicant: **David Robert Davies, III**, North Chesterfield, VA (US)
- (72) Inventor: **David Robert Davies, III**, North Chesterfield, VA (US)
- (73) Assignee: **Atlas Barbell, LLC**, North Chesterfield, VA (US)

- (**) Term: **15 Years**
- (21) Appl. No.: **29/527,023**
- (22) Filed: **May 14, 2015**

Related U.S. Application Data

- (62) Division of application No. 29/464,606, filed on Aug. 19, 2013, now Pat. No. Des. 732,614.
- (51) **LOC (10) Cl.** **21-02**
- (52) **U.S. Cl.**
USPC **D21/680**
- (58) **Field of Classification Search**
USPC D21/680, 681; 482/93, 104, 105, 106, 482/107, 108; D9/668; D25/45
CPC A63B 21/072; A63B 21/0728
See application file for complete search history.

(56) **References Cited**

U.S. PATENT DOCUMENTS

D283,547 S	4/1986	Ghizzi	
D355,007 S	1/1995	Rojas et al.	
D409,266 S	5/1999	Rojas et al.	
D428,947 S	8/2000	Harms et al.	
D445,854 S	7/2001	Harms et al.	
6,736,765 B2	5/2004	Wallace et al.	
7,285,080 B1 *	10/2007	Chiu	A63B 21/0004 482/142
D566,207 S	4/2008	Cao	

D606,133 S	12/2009	Lien	
7,828,702 B2	11/2010	Lien et al.	
D639,874 S	6/2011	Hillson	
D643,075 S	8/2011	Childs	
D673,230 S	12/2012	Qin	
D684,224 S	6/2013	Davies, III	
D688,758 S *	8/2013	Davies, III	D21/680
D692,969 S *	11/2013	Davies, III	D21/680
D695,128 S *	12/2013	Ozsinmaz	D21/681
D698,400 S *	1/2014	Potts	D21/680

(Continued)

Primary Examiner — George D Kirschbaum
Assistant Examiner — Jennifer Watkins
(74) *Attorney, Agent, or Firm* — Whitham, Curtis & Cook, P.C.

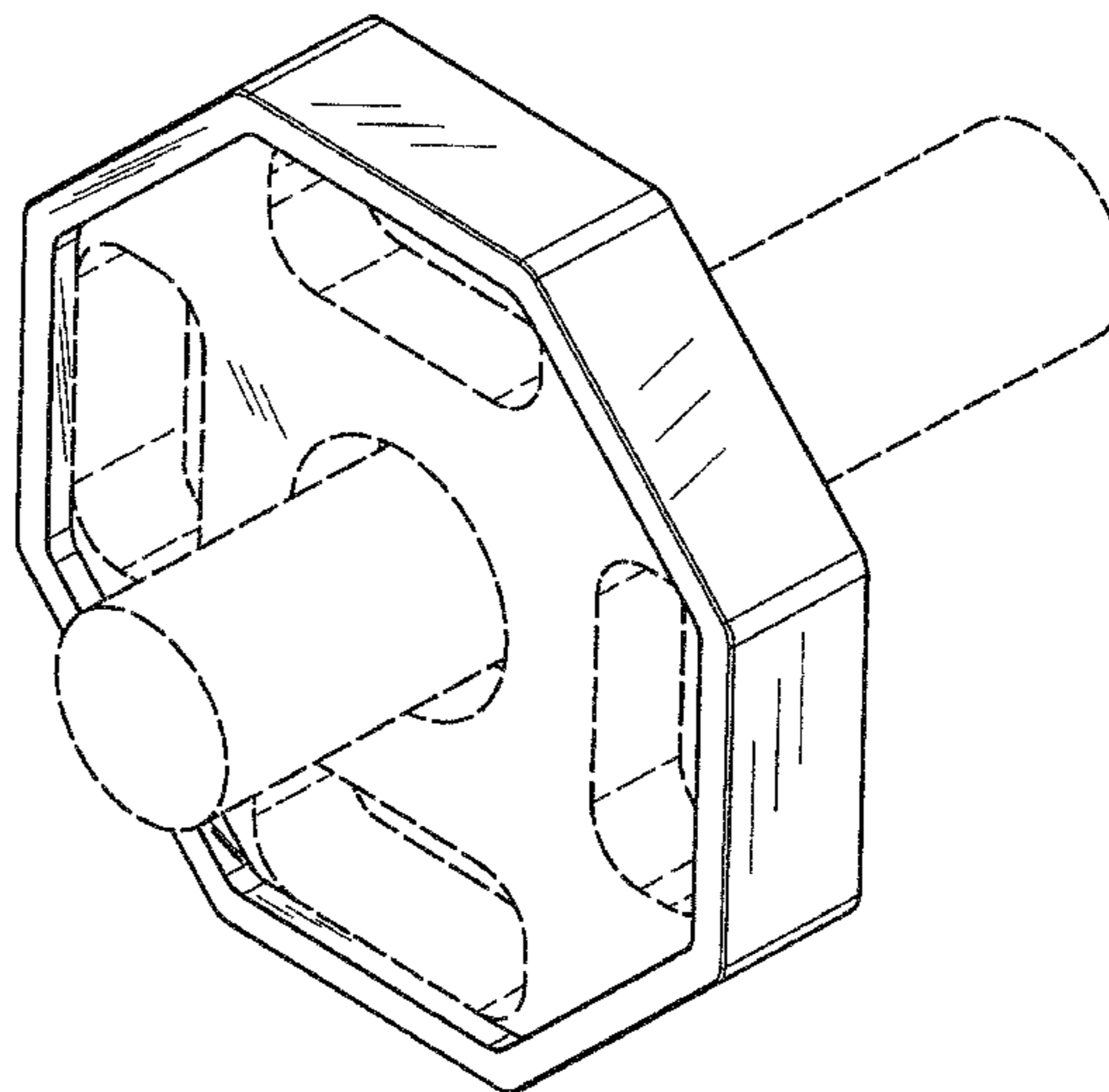
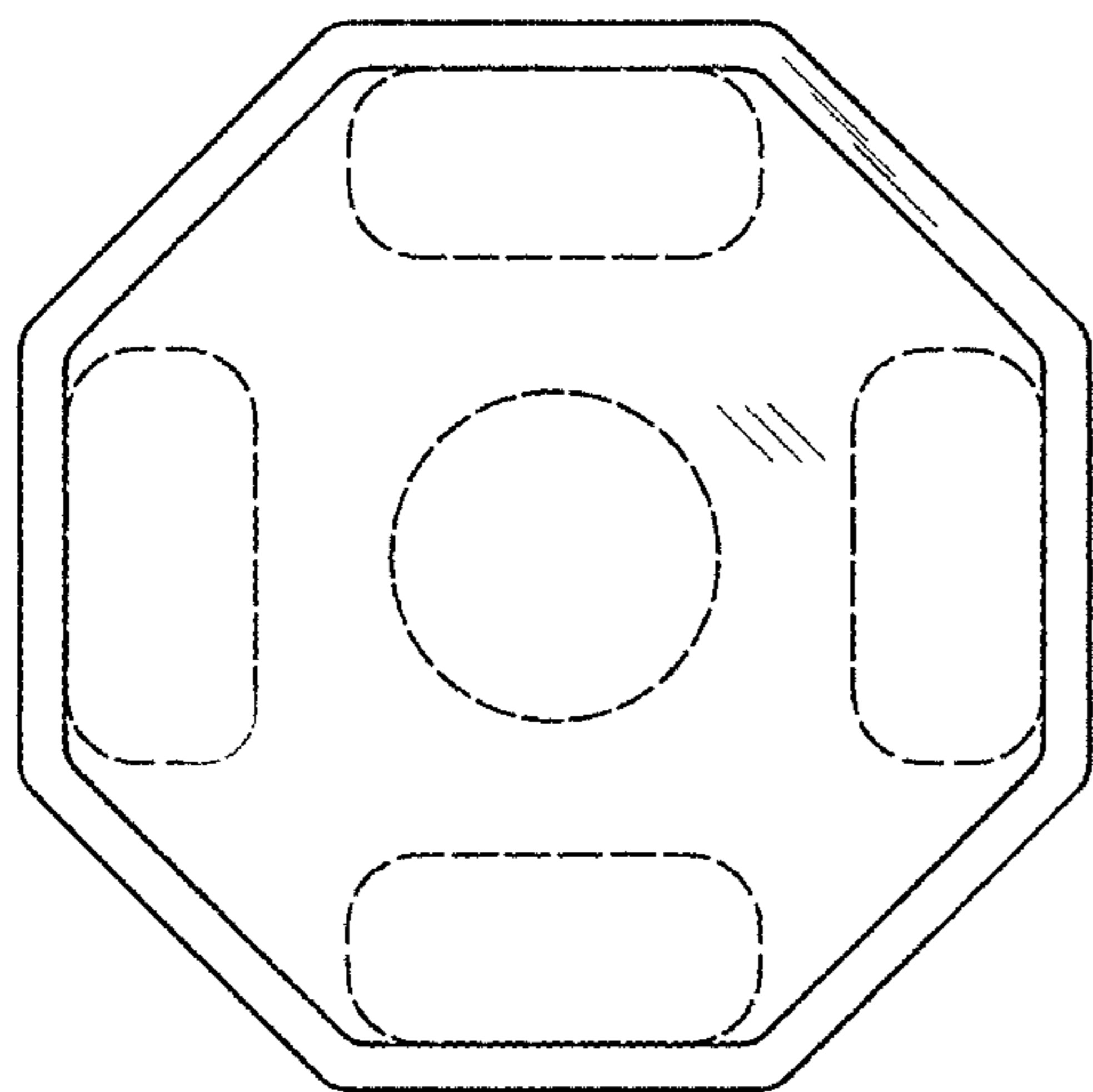
(57) **CLAIM**

I claim the ornamental design for octagon weight plate, as shown and described.

DESCRIPTION

FIG. 1 is a front plan view of an octagon weight plate, the rear being a mirror image thereof;
FIG. 2 is a side elevational view of the octagon weight plate, each side being a mirror image thereof;
FIG. 3 is a side view of the octagon weight plate mounted on a bar, each side being a mirror image thereof;
FIG. 4 is an isometric view of an octagon weight plate, each side being a mirror image thereof; and,
FIG. 5 is an isometric view of an octagon weight plate mounted on a bar, each side being a mirror image thereof.
The broken lines on the octagon weight plate are for the purpose of illustrating portions of the article that form no part of the claim. The broken line showing of the bar is for the purpose of illustrating environment and forms no part of the claim.

1 Claim, 5 Drawing Sheets



(56)

References Cited

U.S. PATENT DOCUMENTS

D722,348 S *	2/2015	Kessler	D21/680
D731,007 S *	6/2015	Davies, III	D21/680
D731,009 S *	6/2015	Preston	D21/681
D732,613 S *	6/2015	Davies, III	D21/680
D732,614 S *	6/2015	Davies, III	D21/680
D740,379 S *	10/2015	Lien	D21/681
D749,177 S *	2/2016	Childs	D21/682
2016/0175640 A1 *	6/2016	Kempton	A63B 21/0726 482/107

* cited by examiner

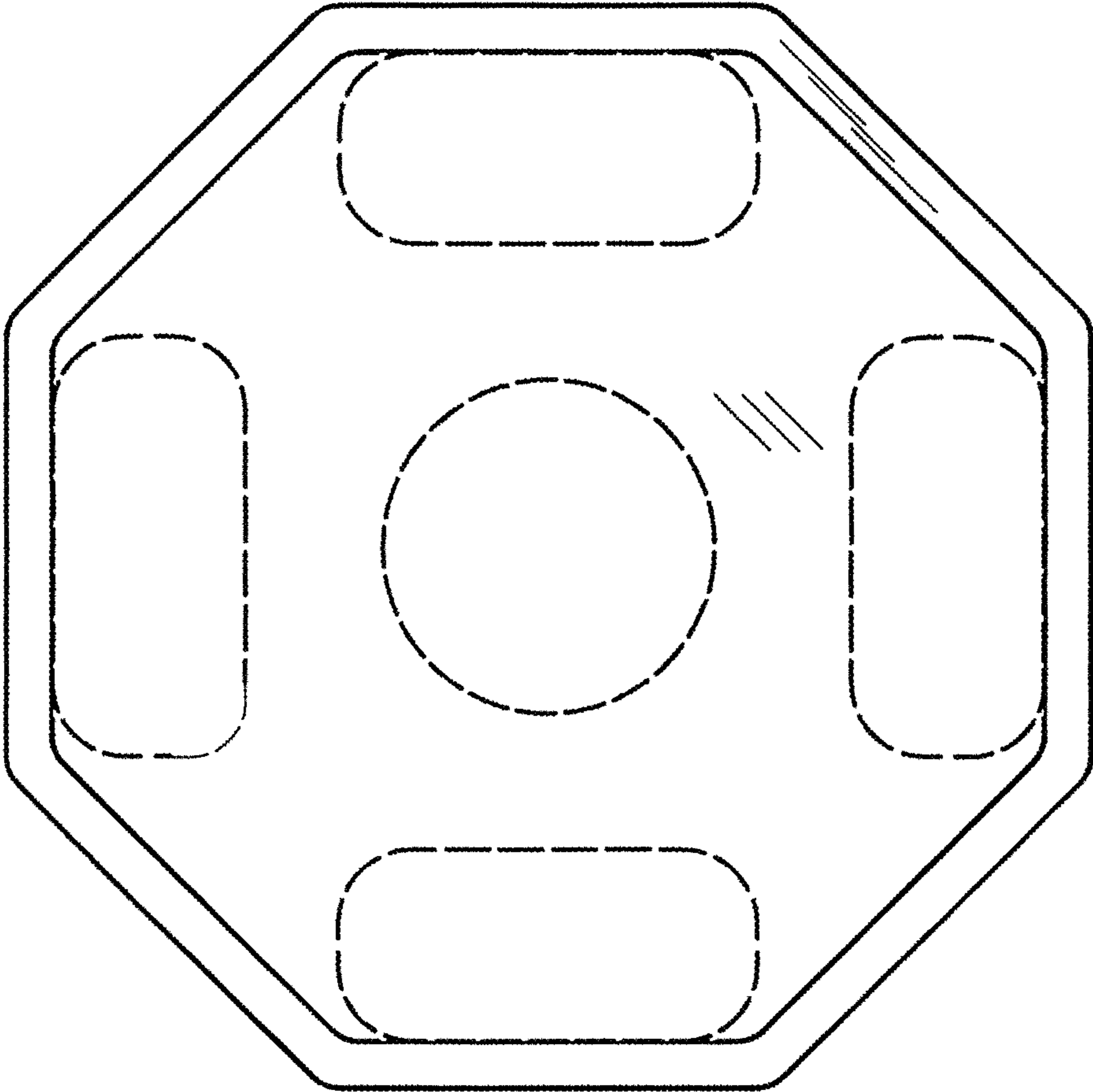


FIG. 1

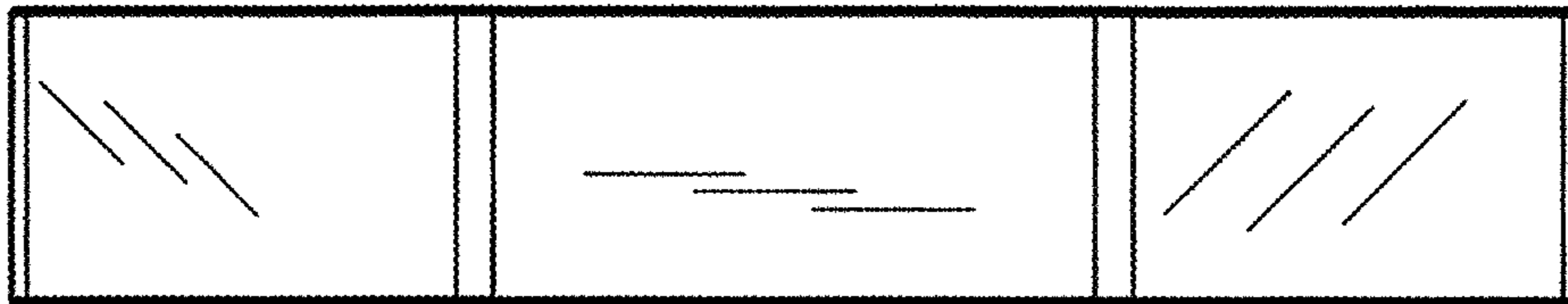


FIG. 2

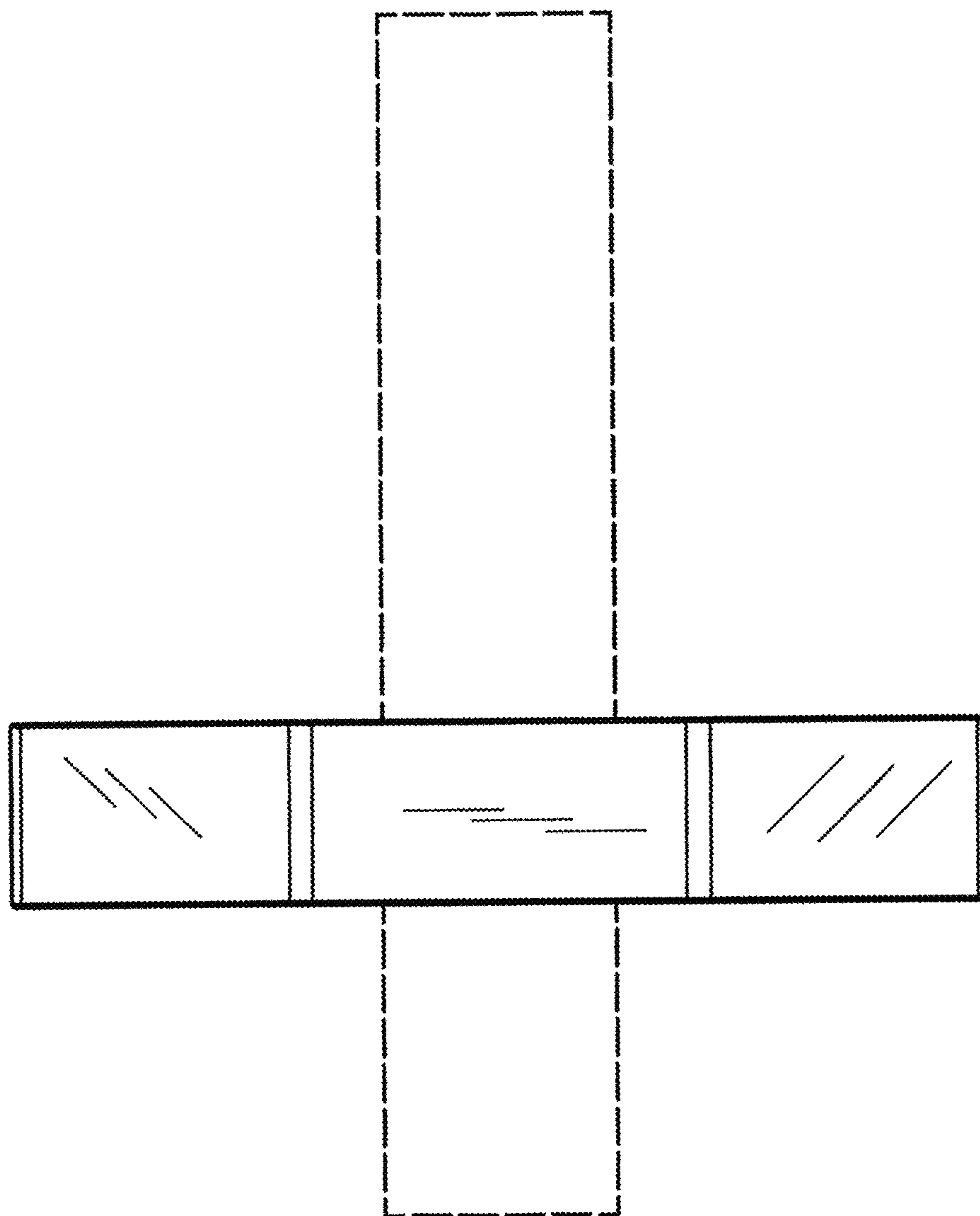


FIG. 3

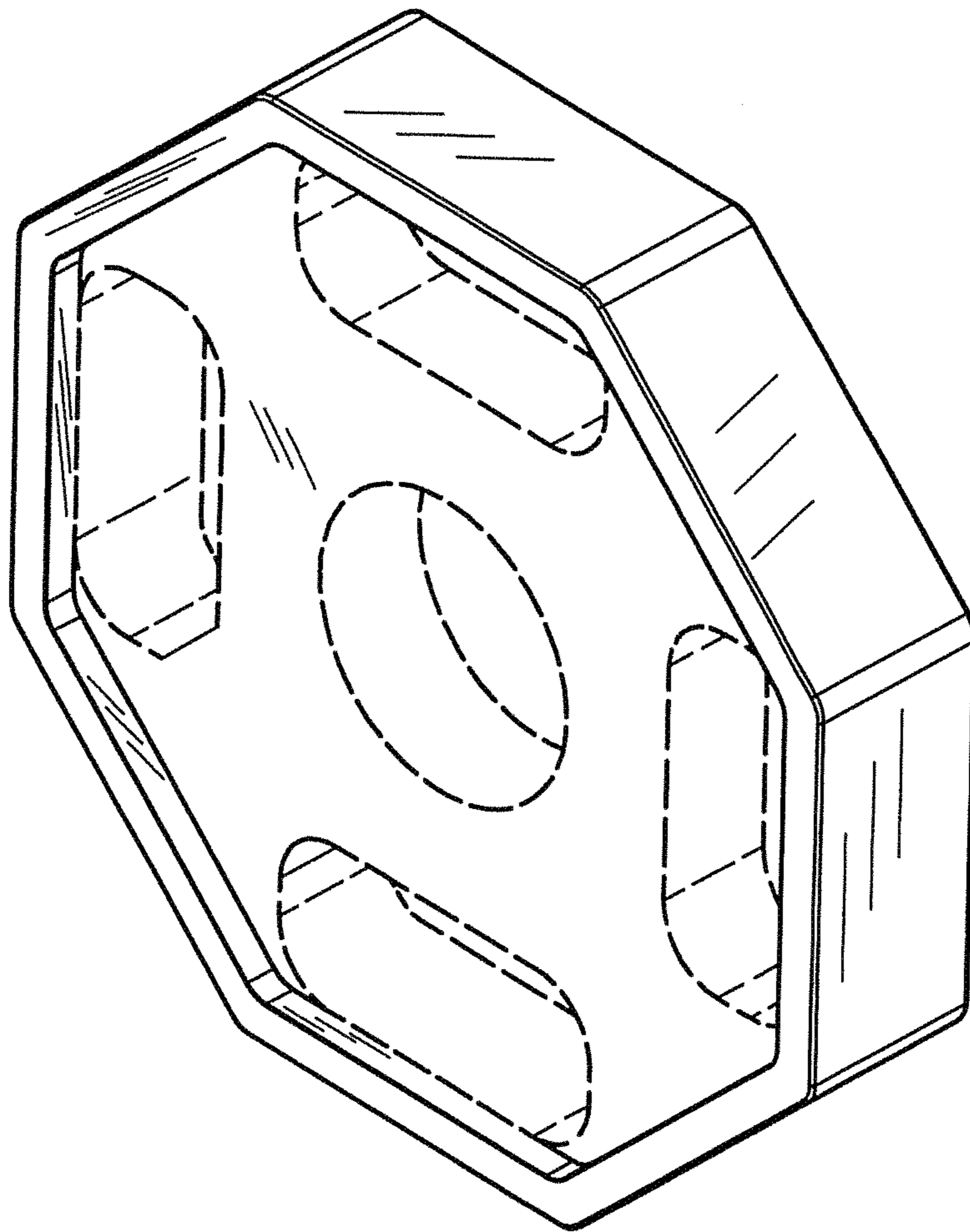


FIG. 4

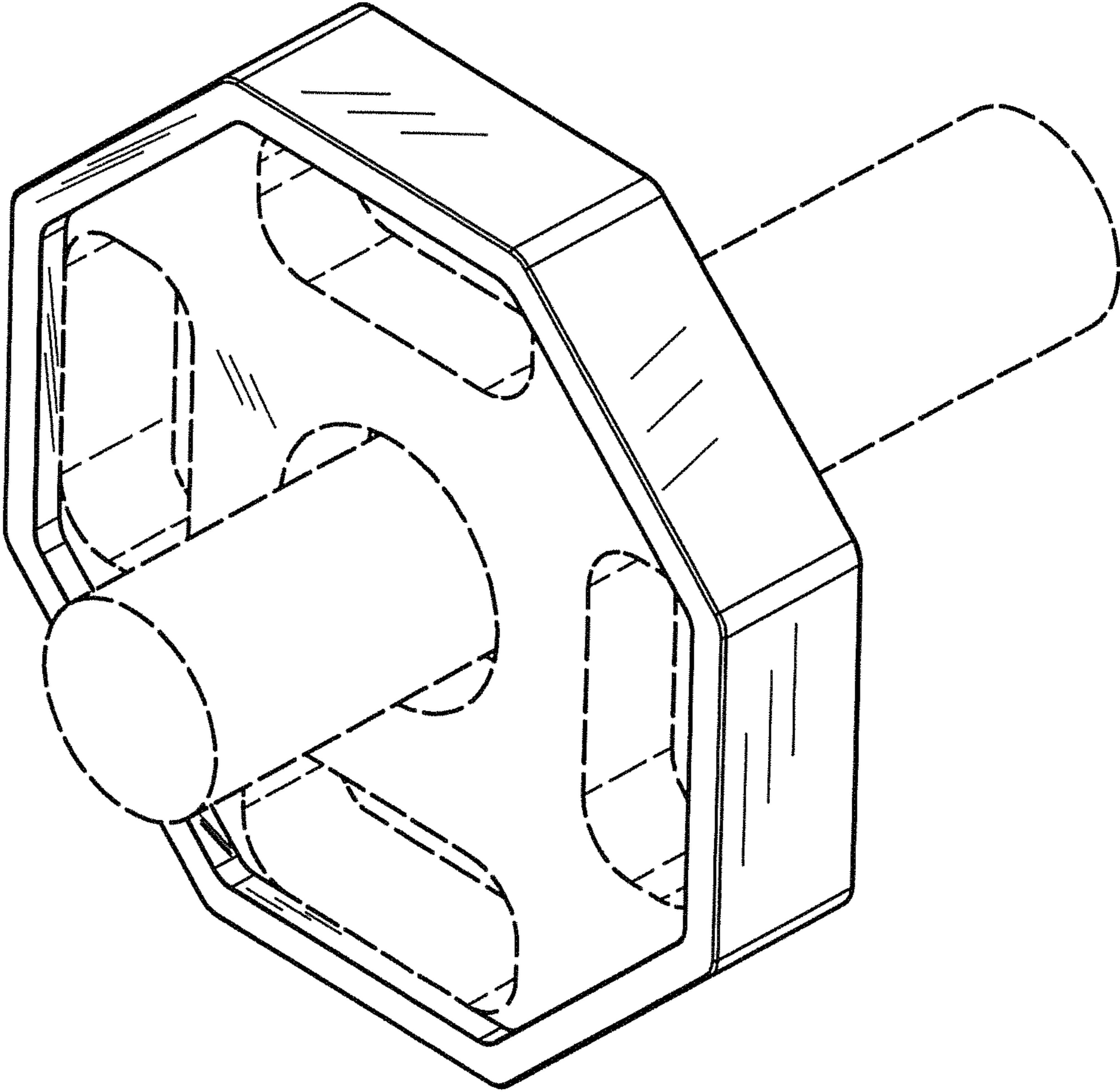


FIG. 5