



US00D777261S

(12) **United States Design Patent**
Desberg

(10) **Patent No.:** **US D777,261 S**

(45) **Date of Patent:** **** Jan. 24, 2017**

(54) **SCOOTER**

(71) Applicant: **RAZOR USA LLC**, Cerritos, CA (US)

(72) Inventor: **Ian Desberg**, Cerritos, CA (US)

(73) Assignee: **RAZOR USA LLC**, Cerritos, CA (US)

(**) Term: **15 Years**

(21) Appl. No.: **29/558,537**

(22) Filed: **Mar. 18, 2016**

Related U.S. Application Data

(63) Continuation of application No. 29/536,923, filed on Aug. 20, 2015, now abandoned, which is a continuation of application No. 29/503,935, filed on Sep. 30, 2014, now abandoned.

(51) **LOC (10) Cl.** **21-01**

(52) **U.S. Cl.**

USPC **D21/423**

(58) **Field of Classification Search**

USPC D21/419, 421, 423, 426-428,
435, D21/668-671, 760, 765, 771; D12/1,
8, 108, D12/111, 112, 113

CPC B62K 3/002; B62K 9/00; B62K 9/02;
B62K 13/00; B62K 2202/00

See application file for complete search history.

(56) **References Cited**

U.S. PATENT DOCUMENTS

D564,037 S * 3/2008 Cramer D21/423

D579,987 S * 11/2008 Hong D21/423

D672,400 S * 12/2012 Pizzi D21/423

D698,868 S * 2/2014 Chan D21/423

8,733,769 B1 * 5/2014 Rogers A63C 17/01
280/87.042

D728,033 S * 4/2015 O'connell D21/423

9,022,398 B1 * 5/2015 Harris A63C 17/01
280/87.042

D736,861 S * 8/2015 Eckert D21/423

D738,435 S * 9/2015 O'Connell D21/423

* cited by examiner

Primary Examiner — Cynthia M Chin

(74) *Attorney, Agent, or Firm* — Knobbe, Martens, Olson & Bear, LLP

(57) **CLAIM**

The ornamental design for a scooter, as shown and described.

DESCRIPTION

FIG. 1 is a perspective view showing a front, side and top surface of a scooter.

FIG. 2 is a front view of the scooter of FIG. 1.

FIG. 3 is a rear view of the scooter of FIG. 1.

FIG. 4 is a right side view of the scooter of FIG. 1.

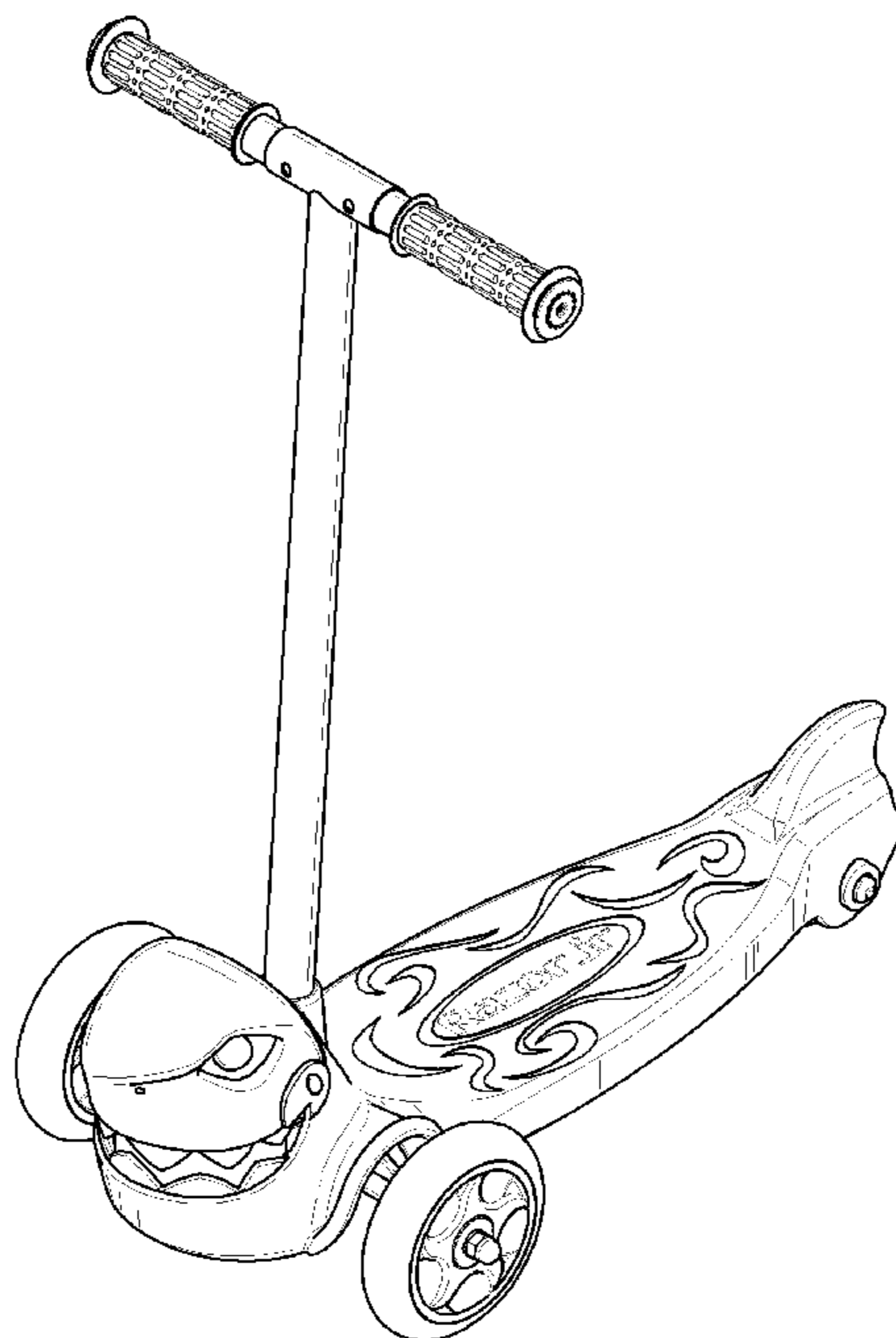
FIG. 5 is a left side view of the scooter of FIG. 1.

FIG. 6 is a top view of the scooter of FIG. 1; and,

FIG. 7 is a bottom view of the scooter of FIG. 1.

Where utilized, the broken lines show portions of the scooter that form no part of the claimed design.

1 Claim, 7 Drawing Sheets



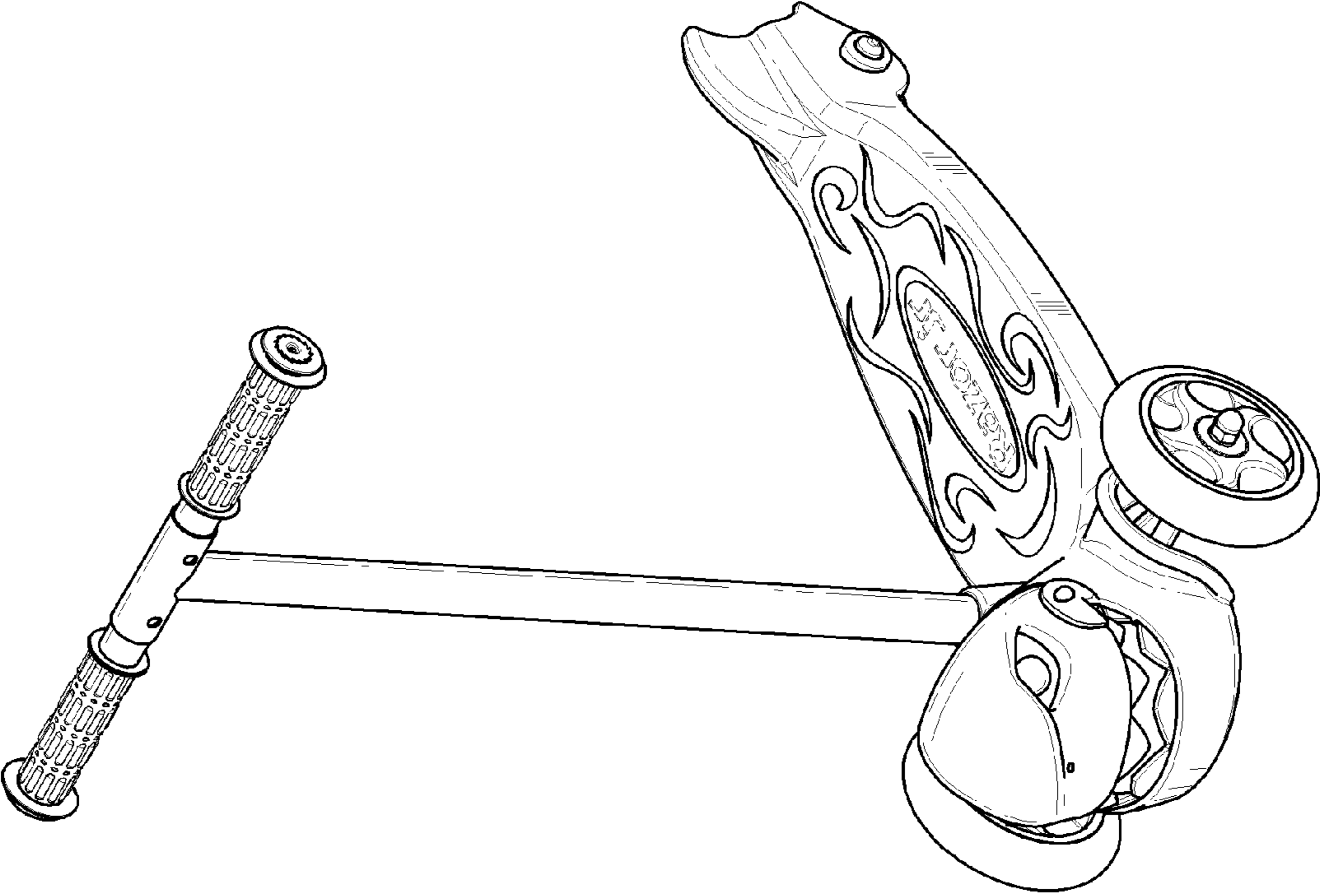


FIG. 1

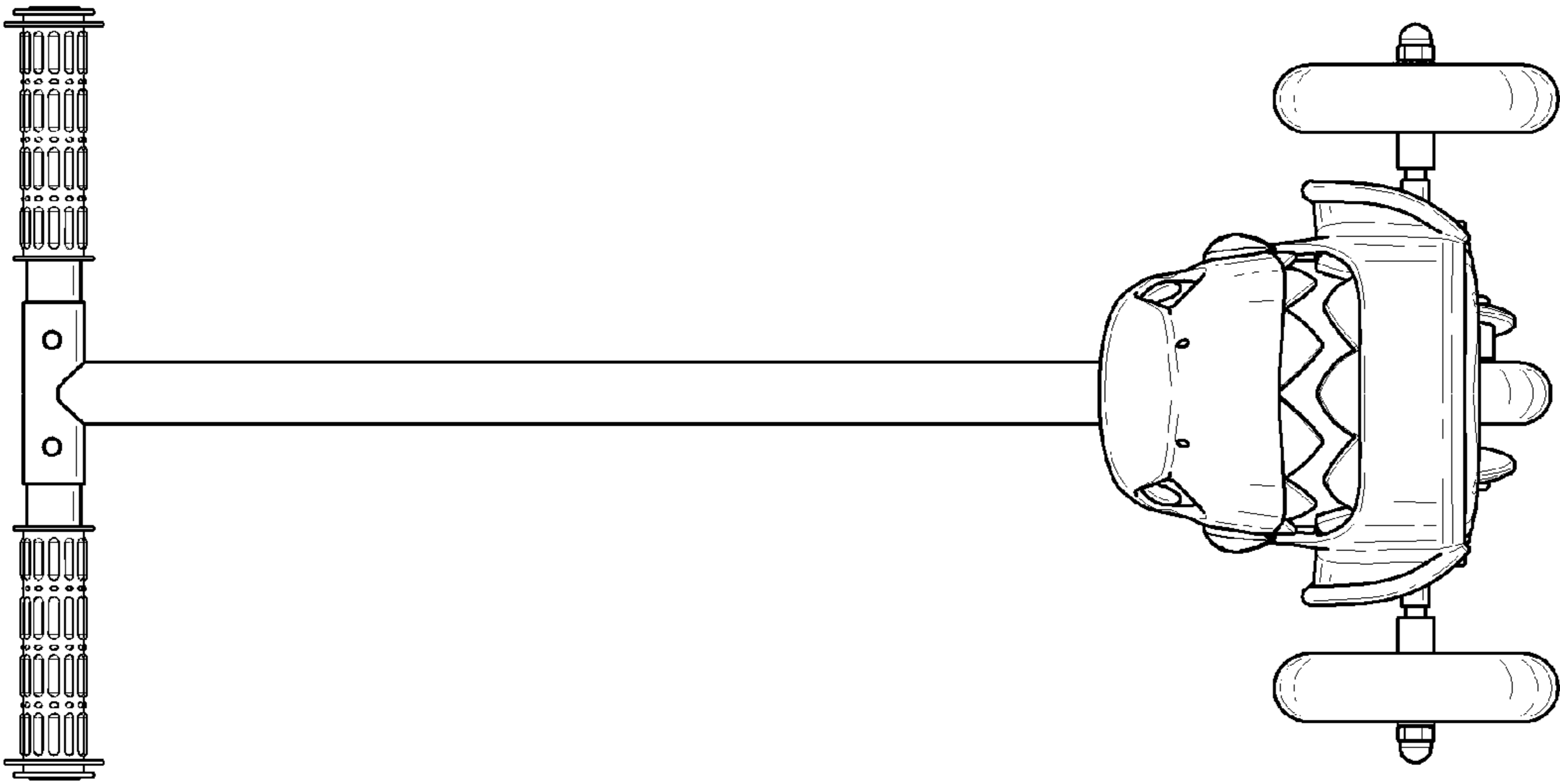


FIG. 2

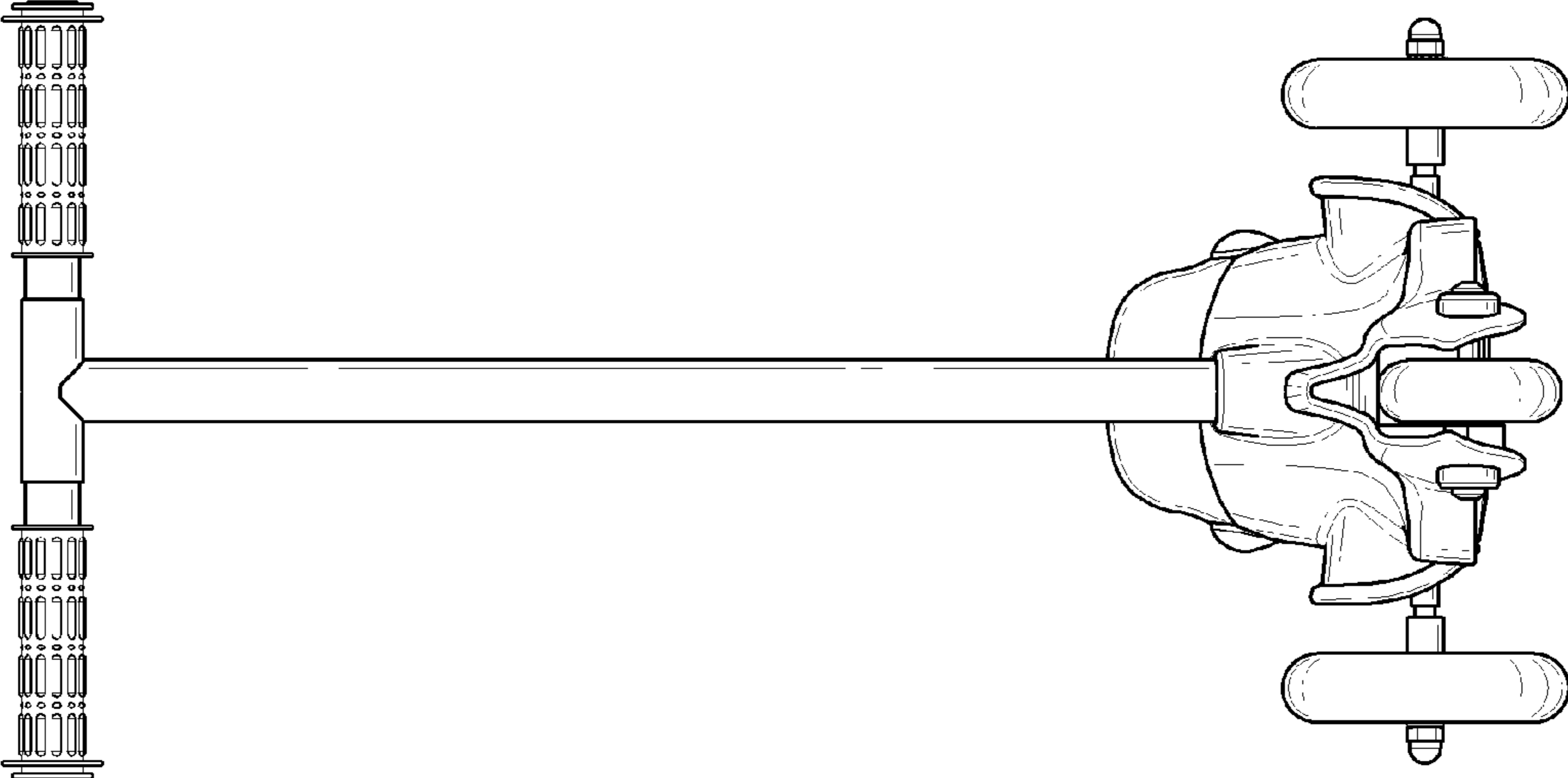


FIG. 3

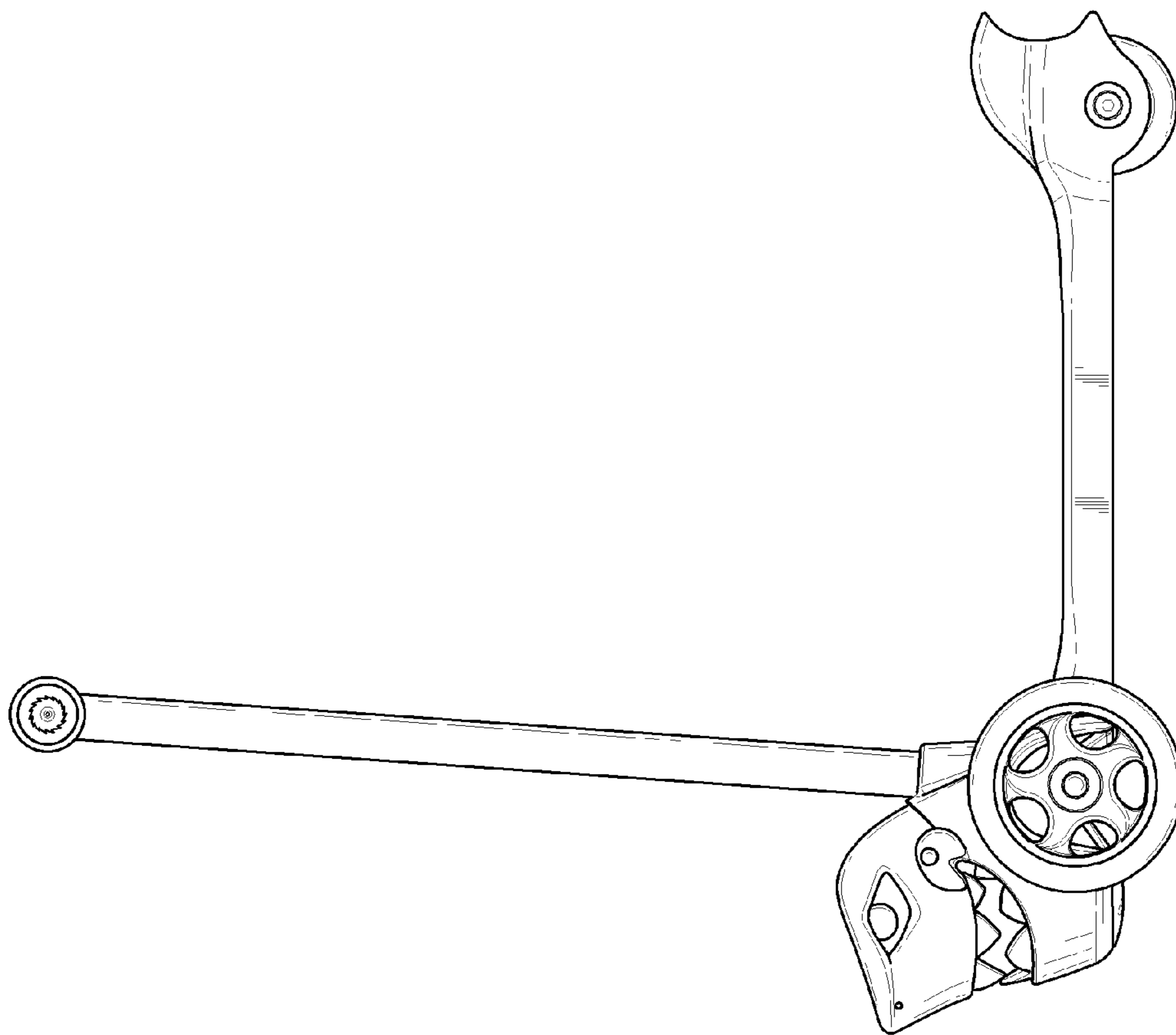


FIG. 4

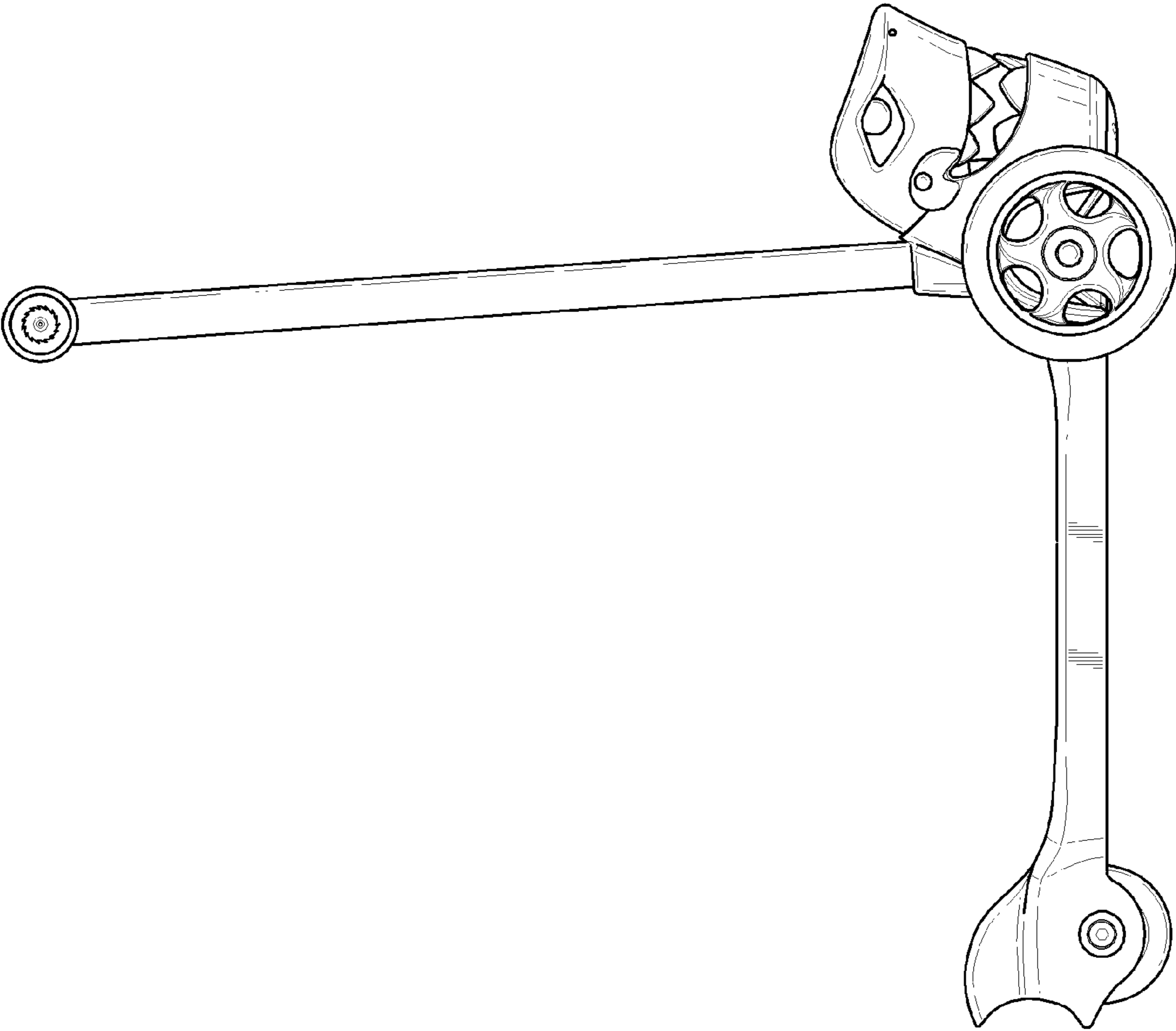


FIG. 5

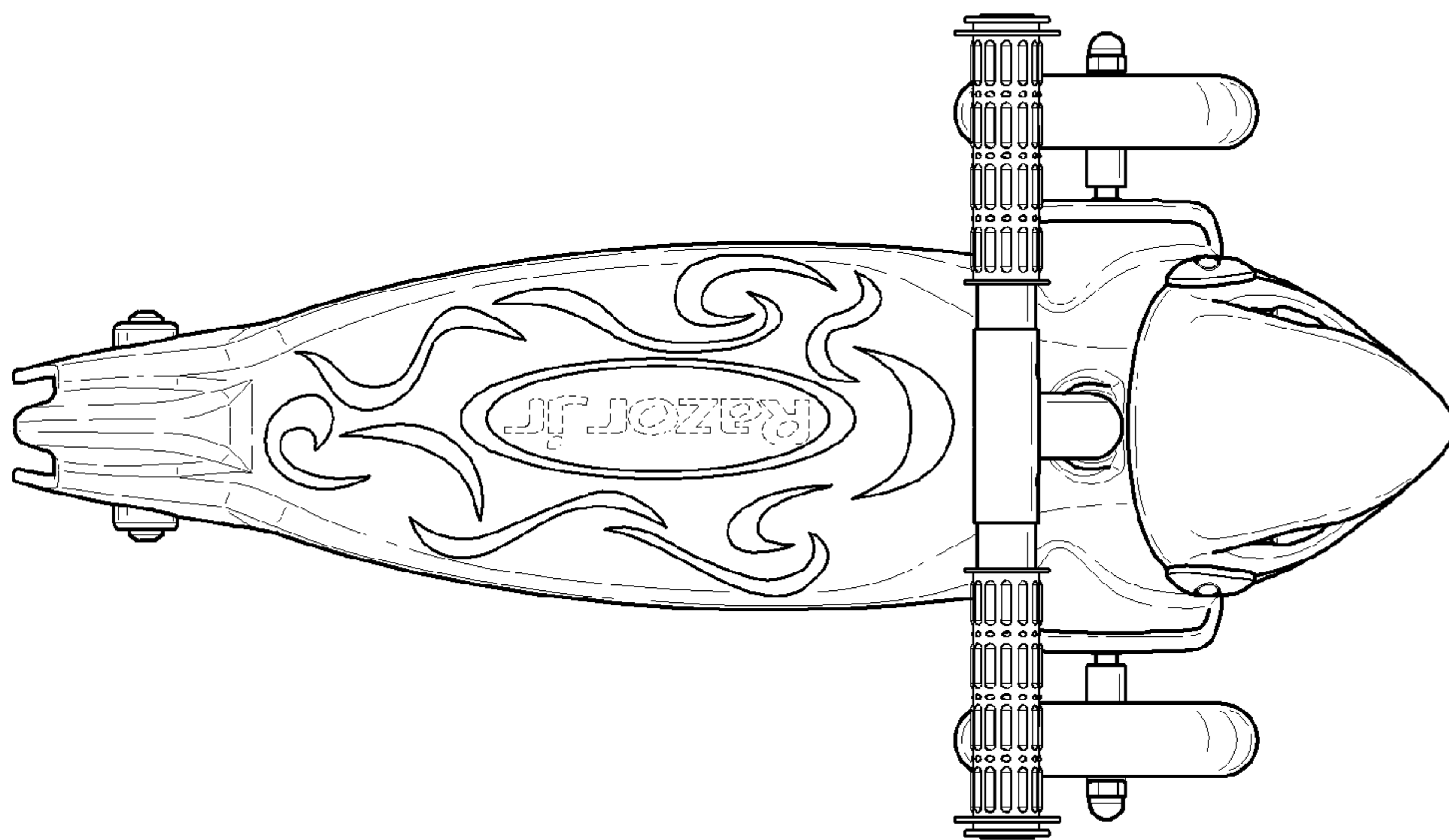


FIG. 6

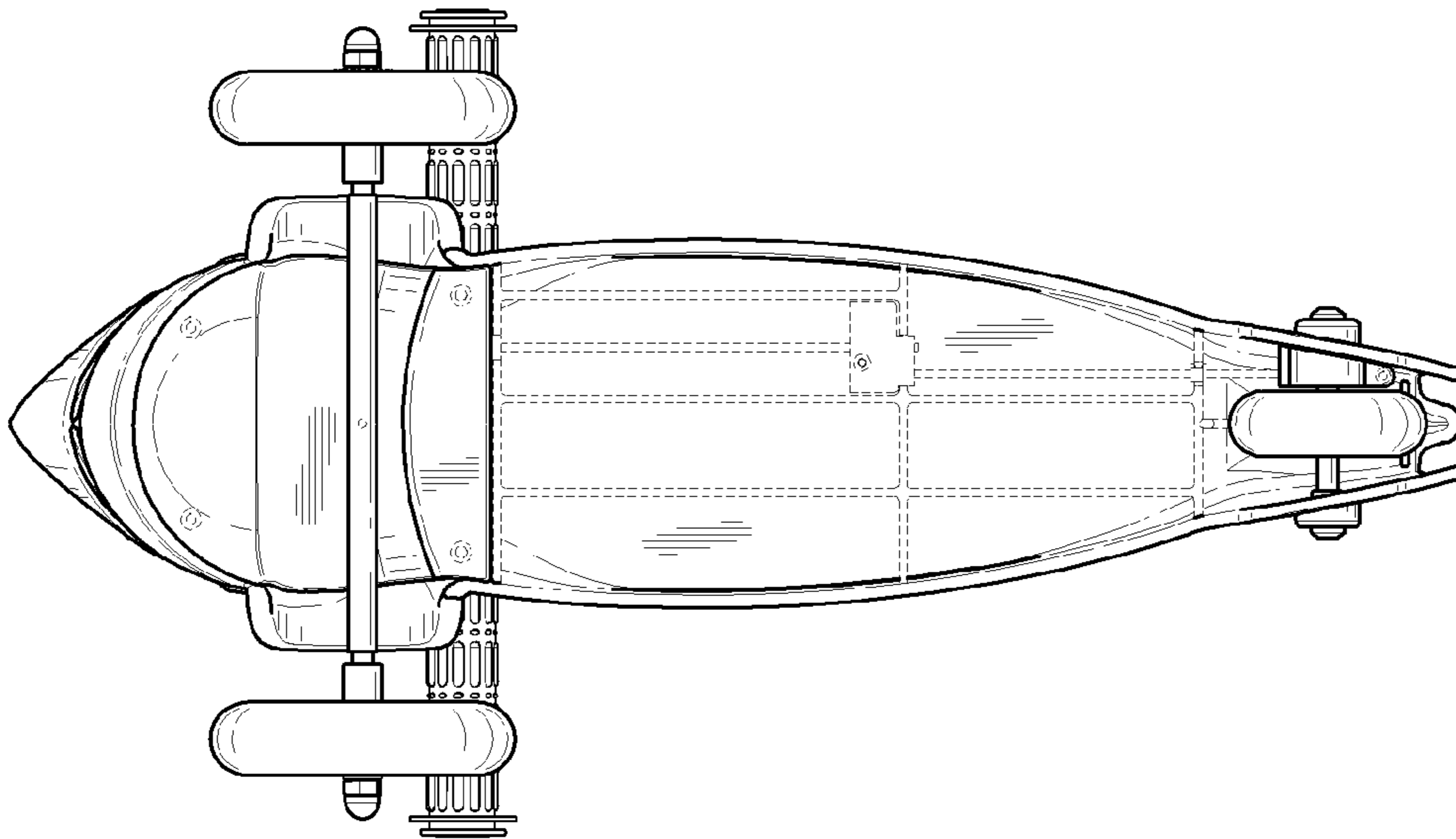


FIG. 7