



US00D777260S

(12) **United States Design Patent** (10) **Patent No.:** **US D777,260 S**  
**Burgess et al.** (45) **Date of Patent:** **\*\* Jan. 24, 2017**

(54) **CONTROLLER HATCH COVER**  
(71) Applicant: **Ironburg Inventions, Ltd.**, Wincanton, Somerset (GB)  
(72) Inventors: **Simon Burgess**, Leicester (GB); **Duncan Ironmonger**, Atlanta, GA (US)  
(73) Assignee: **IRONBURG INVENTIONS LTD.** (GB)  
(\*\*) Term: **15 Years**  
(21) Appl. No.: **29/545,847**  
(22) Filed: **Nov. 17, 2015**

(74) *Attorney, Agent, or Firm* — Stephen J. Terrell; Parks IP Law LLC

(57) **CLAIM**  
The ornamental design for a controller hatch cover, as shown and described.

**DESCRIPTION**

FIG. 1 is a perspective view of a controller hatch cover and paddles showing the new design;  
FIG. 2 is a top plan view, thereof;  
FIG. 3 is a front elevational view, thereof;  
FIG. 4 is a bottom plan view, thereof;  
FIG. 5 is a rear elevational view, thereof;  
FIG. 6 is a left side elevational view, thereof;  
FIG. 7 is a right side elevational view, thereof;  
FIG. 8 is an exploded perspective view, thereof;  
FIG. 9 is a top plan view of FIG. 8, the paddles being removed;  
FIG. 10 is a front elevational view of FIG. 8, the paddles being removed;  
FIG. 11 is a bottom plan view of FIG. 8, the paddles being removed;  
FIG. 12 is a rear elevational view of FIG. 8, the paddles being removed;  
FIG. 13 is a left side elevational view of FIG. 8, the paddles being removed;  
FIG. 14 is a right side elevational view of FIG. 8, the paddles being removed;  
FIG. 15 is a perspective view thereof, shown in an environmental use;  
FIG. 16 is a top plan view of FIG. 15;  
FIG. 17 is a rear elevational view of FIG. 15;  
FIG. 18 is a front elevational view of FIG. 15;  
FIG. 19 is a perspective view thereof, with paddles removed and shown in an environmental use;  
FIG. 20 is a top plan view of FIG. 19;  
FIG. 21 is a rear elevational view of FIG. 19; and,  
FIG. 22 is a front elevational view of FIG. 19.  
The broken lines indicate unclaimed portions and environment and form no part of the claimed design.

**Related U.S. Application Data**

(63) Continuation of application No. 29/480,547, filed on Jan. 27, 2014, now Pat. No. Des. 748,734.  
(51) **LOC (10) Cl.** ..... **21-01**  
(52) **U.S. Cl.**  
USPC ..... **D21/333**  
(58) **Field of Classification Search**  
USPC ..... D14/399-401, 412-416; D21/324, 333;  
273/148 B; 463/1, 29-39, 46, 47;  
345/156-161, 905

(Continued)

(56) **References Cited**

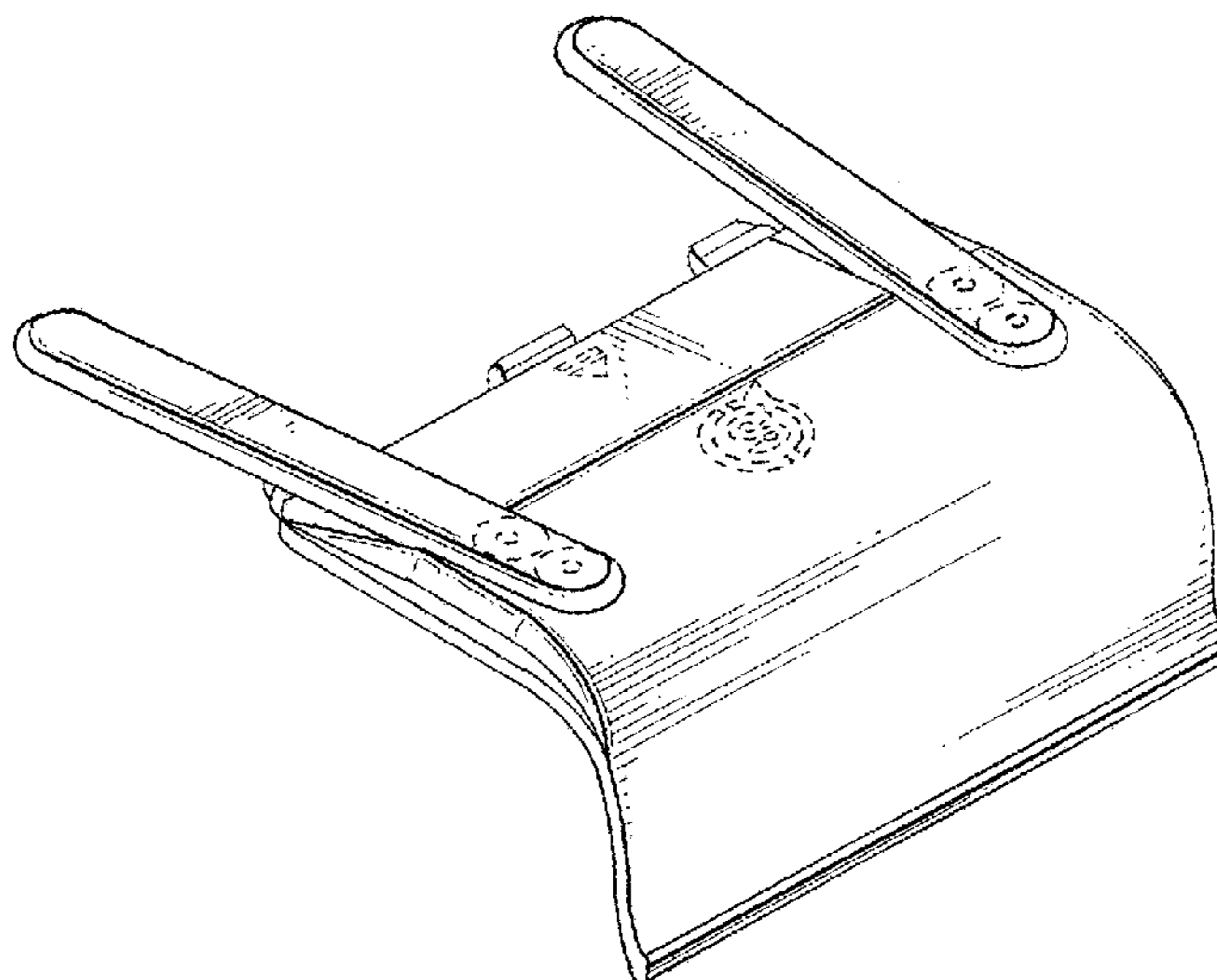
**U.S. PATENT DOCUMENTS**

6,342,009 B1 \* 1/2002 Soma ..... 463/38  
D464,996 S \* 10/2002 Hussaini et al. .... D21/333

(Continued)

*Primary Examiner* — Prabhakar Deshmukh

**1 Claim, 14 Drawing Sheets**



(58) **Field of Classification Search**

CPC ..... A63F 13/02; A63F 13/00; A63F 11/00;  
A63F 3/00; A63F 9/00; G06F  
17/00; G06F 19/00; G06F 17/32; G06F  
3/00

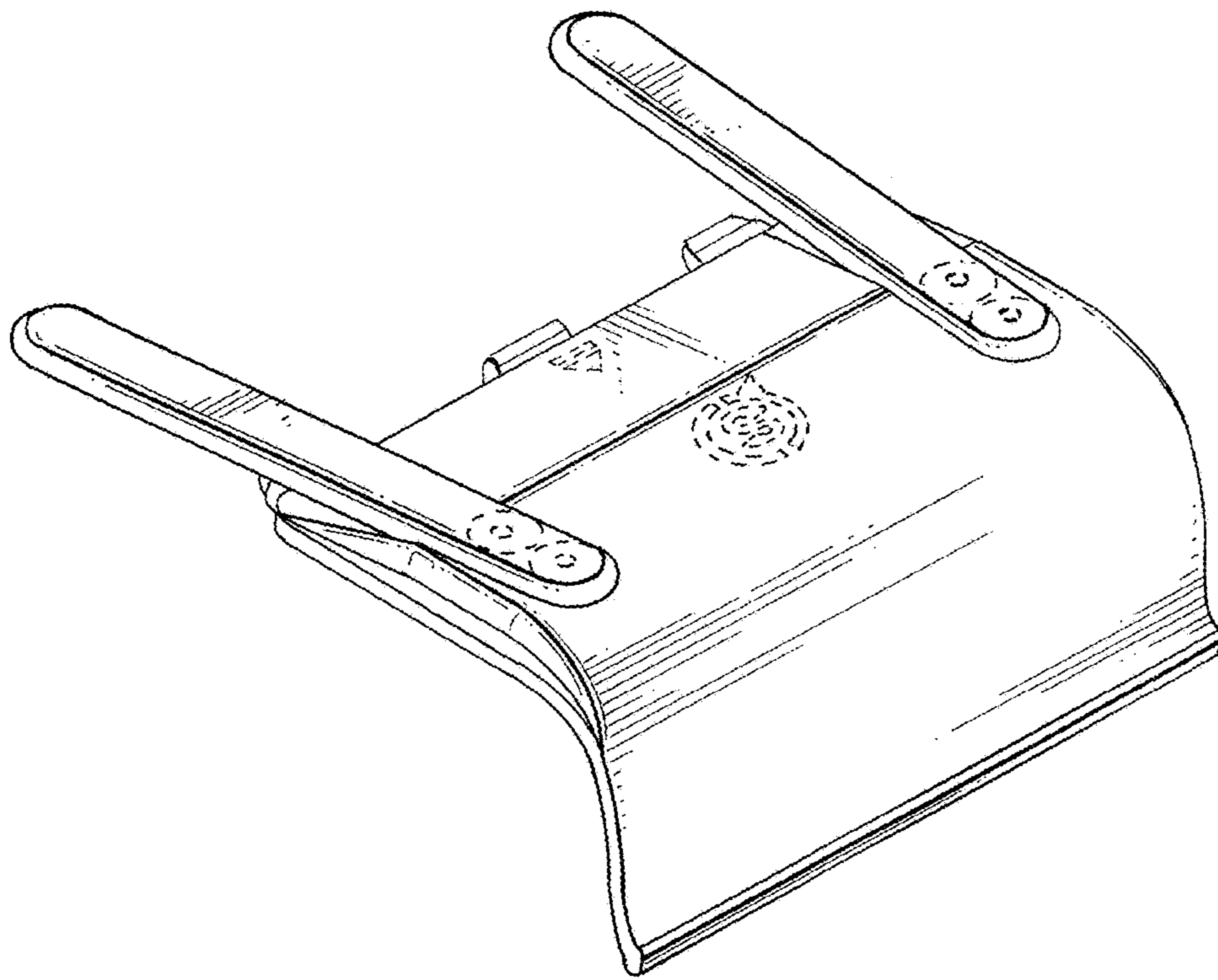
See application file for complete search history.

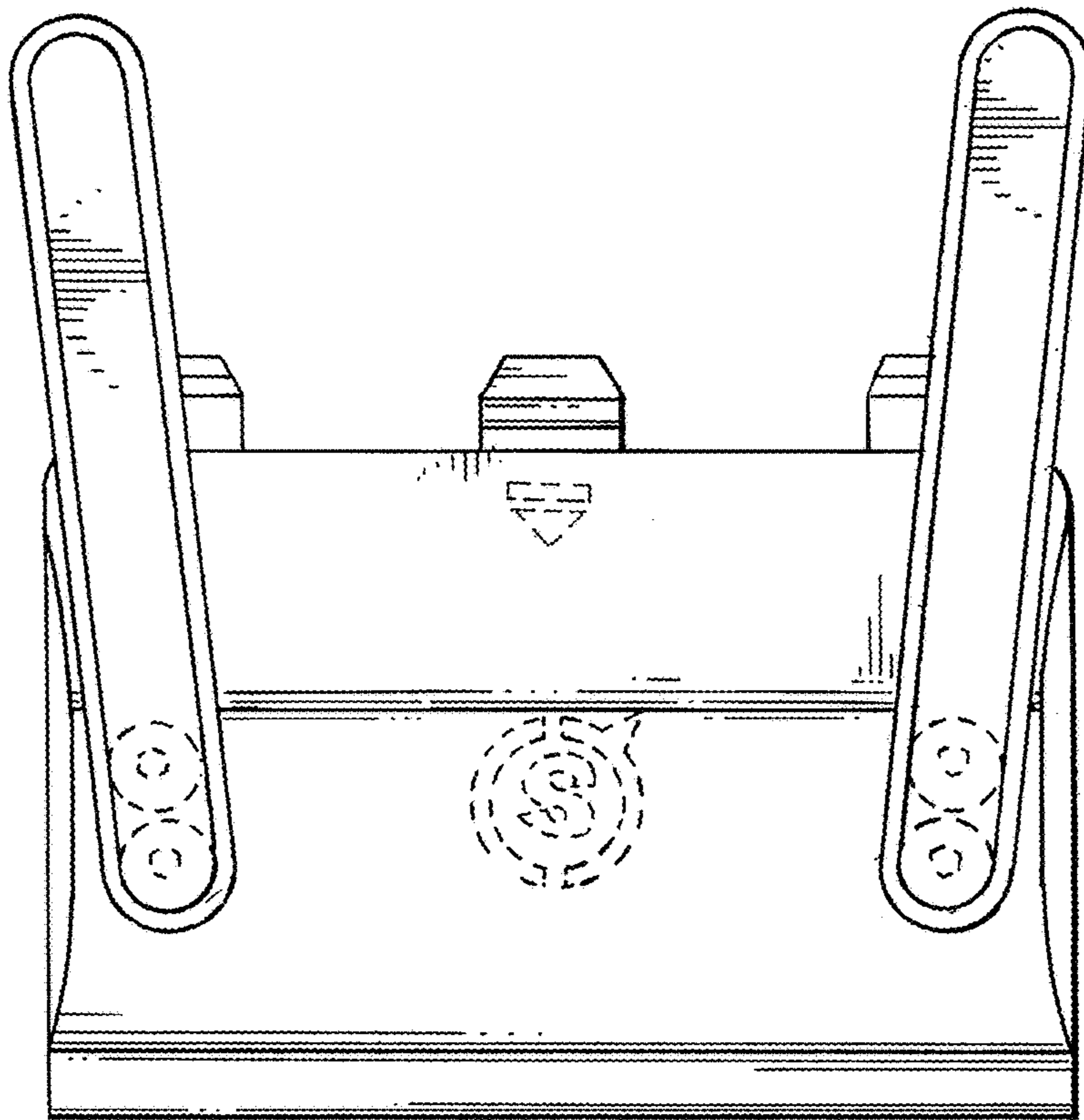
(56) **References Cited**

U.S. PATENT DOCUMENTS

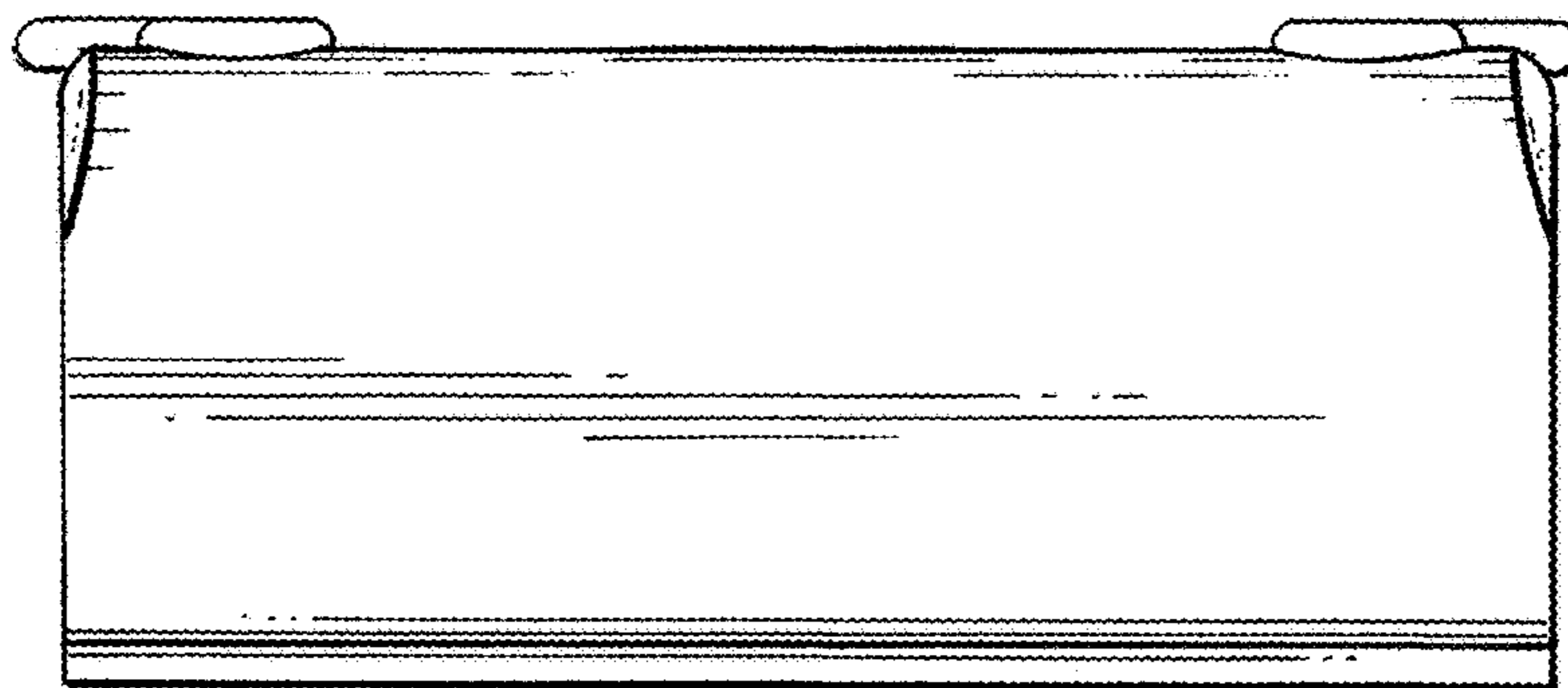
D467,621	S	*	12/2002	Ku	.....	D21/333
6,572,108	B1	*	6/2003	Bristow	.....	273/148 B
6,743,100	B1	*	6/2004	Neiser	.....	463/37
6,923,443	B1	*	8/2005	Hughes, IV	.....	273/148 B
D631,476	S	*	1/2011	Piedra et al.	.....	D14/401
D638,017	S	*	5/2011	Ortiz	.....	D14/401
D669,078	S	*	10/2012	Lovoi et al.	.....	D14/401
8,641,525	B2	*	2/2014	Burgess et al.	.....	463/37
D712,484	S	*	9/2014	Sumii et al.	.....	D21/333
D712,973	S	*	9/2014	Sumii et al.	.....	D21/333
2008/0122173	A1	*	5/2008	Harris	.....	273/148 B

\* cited by examiner

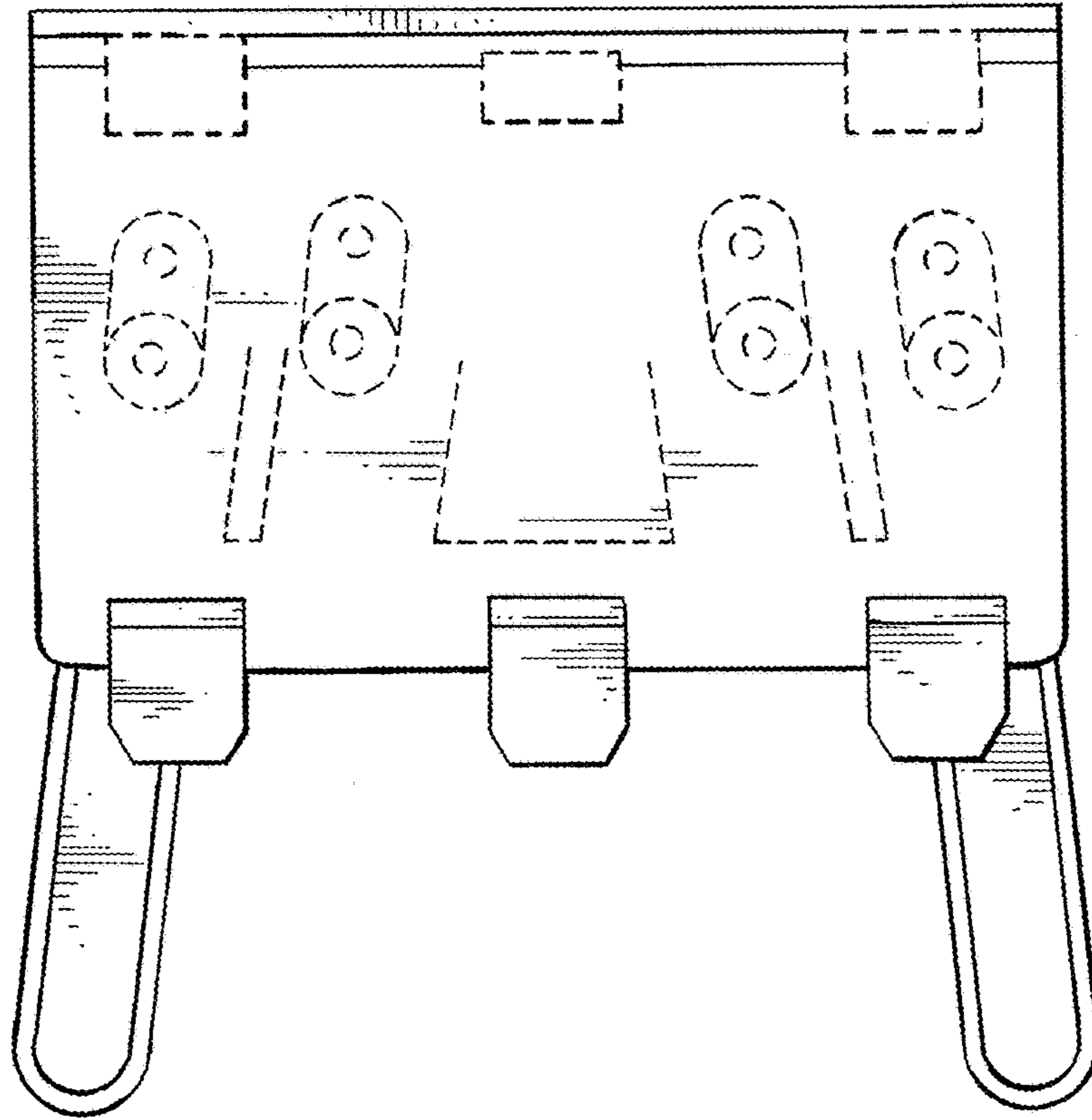




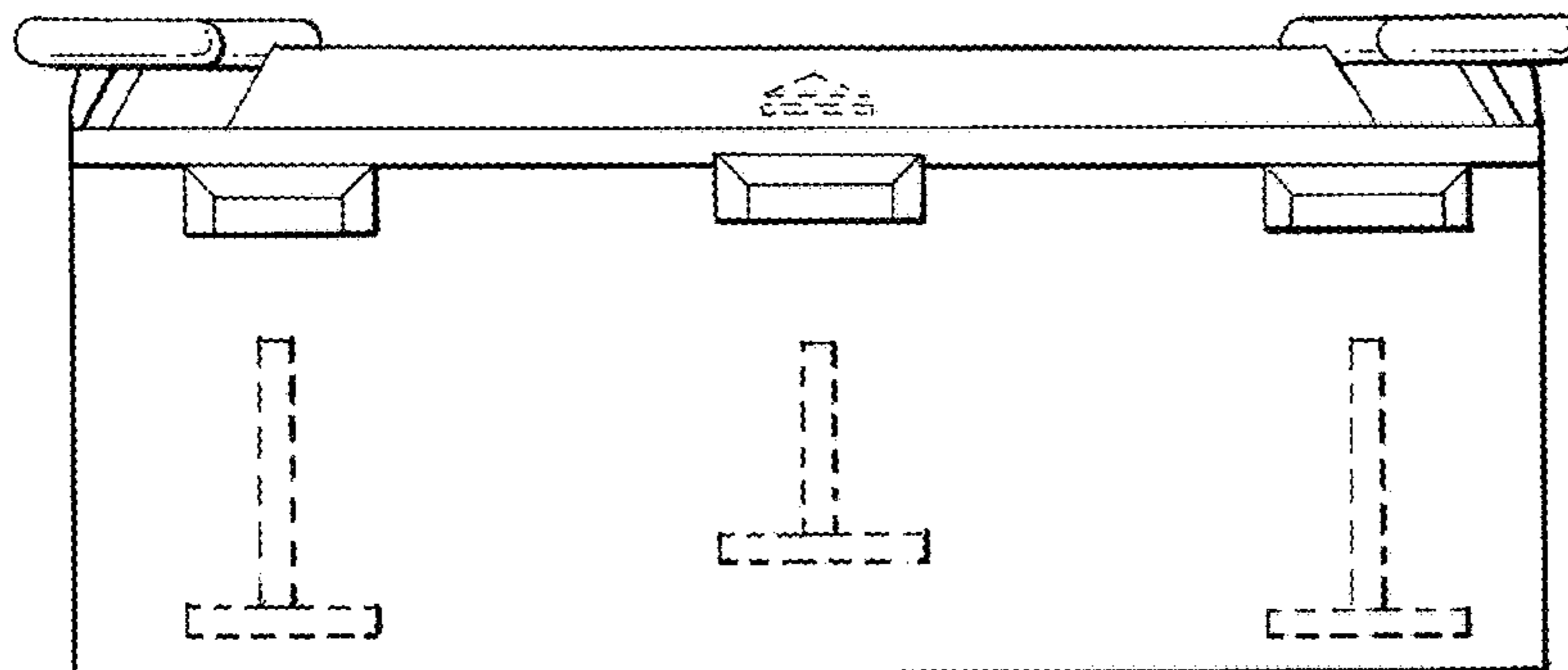
*Fig.* 2



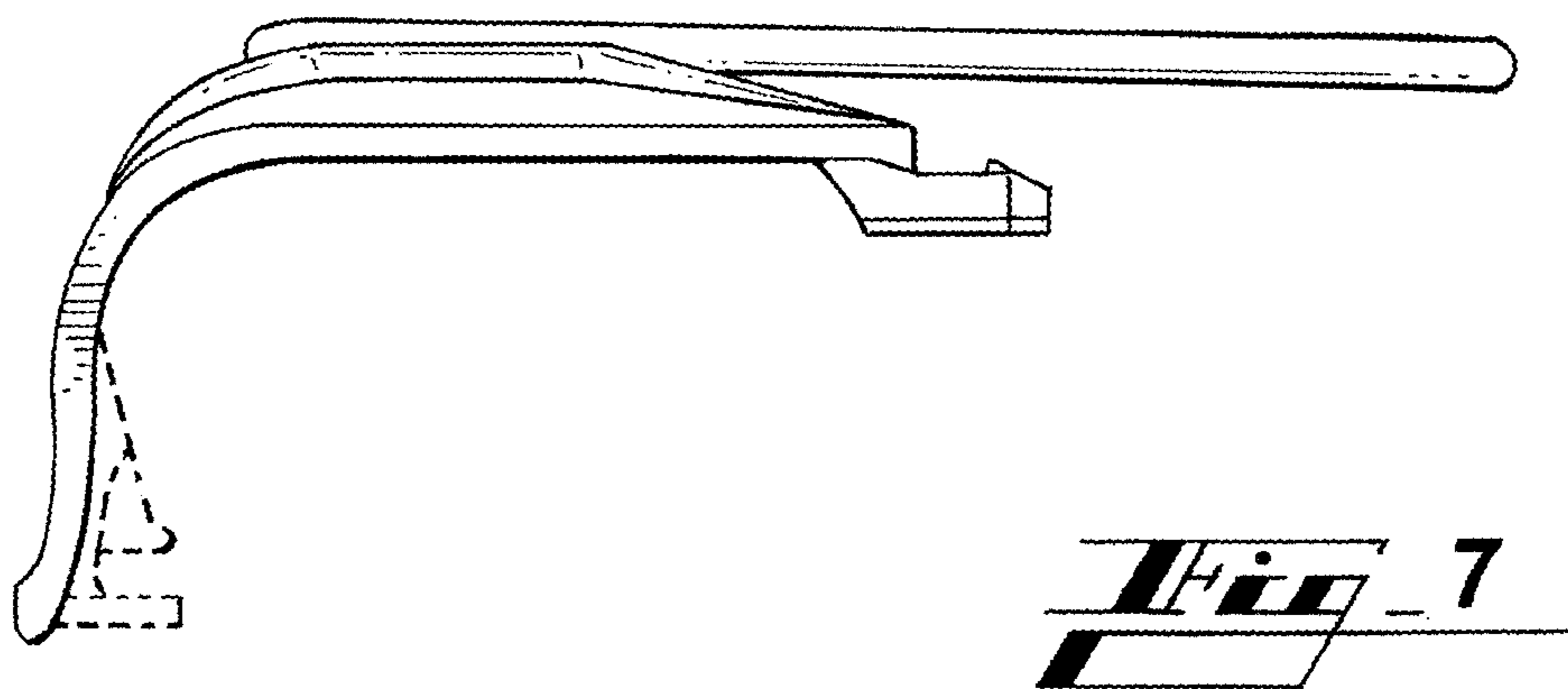
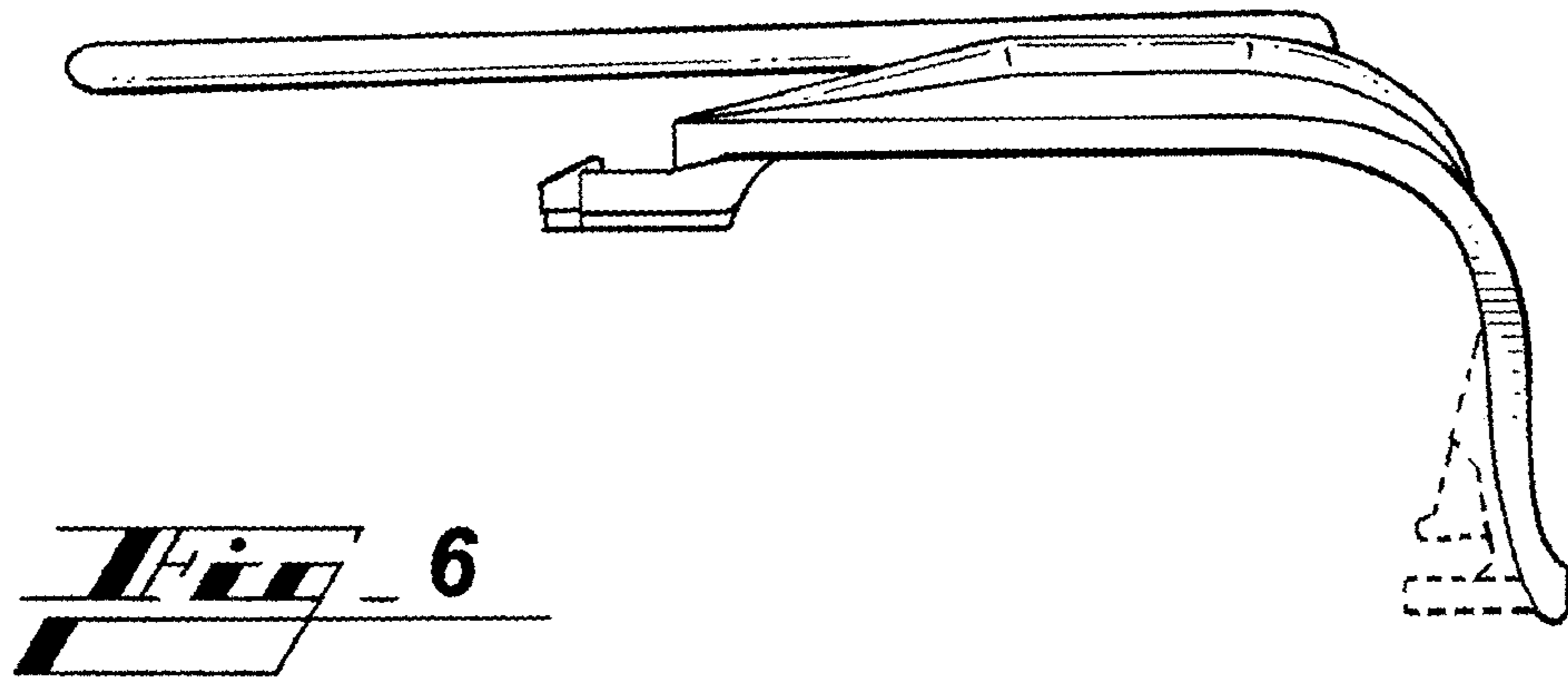
*Fig.* 3

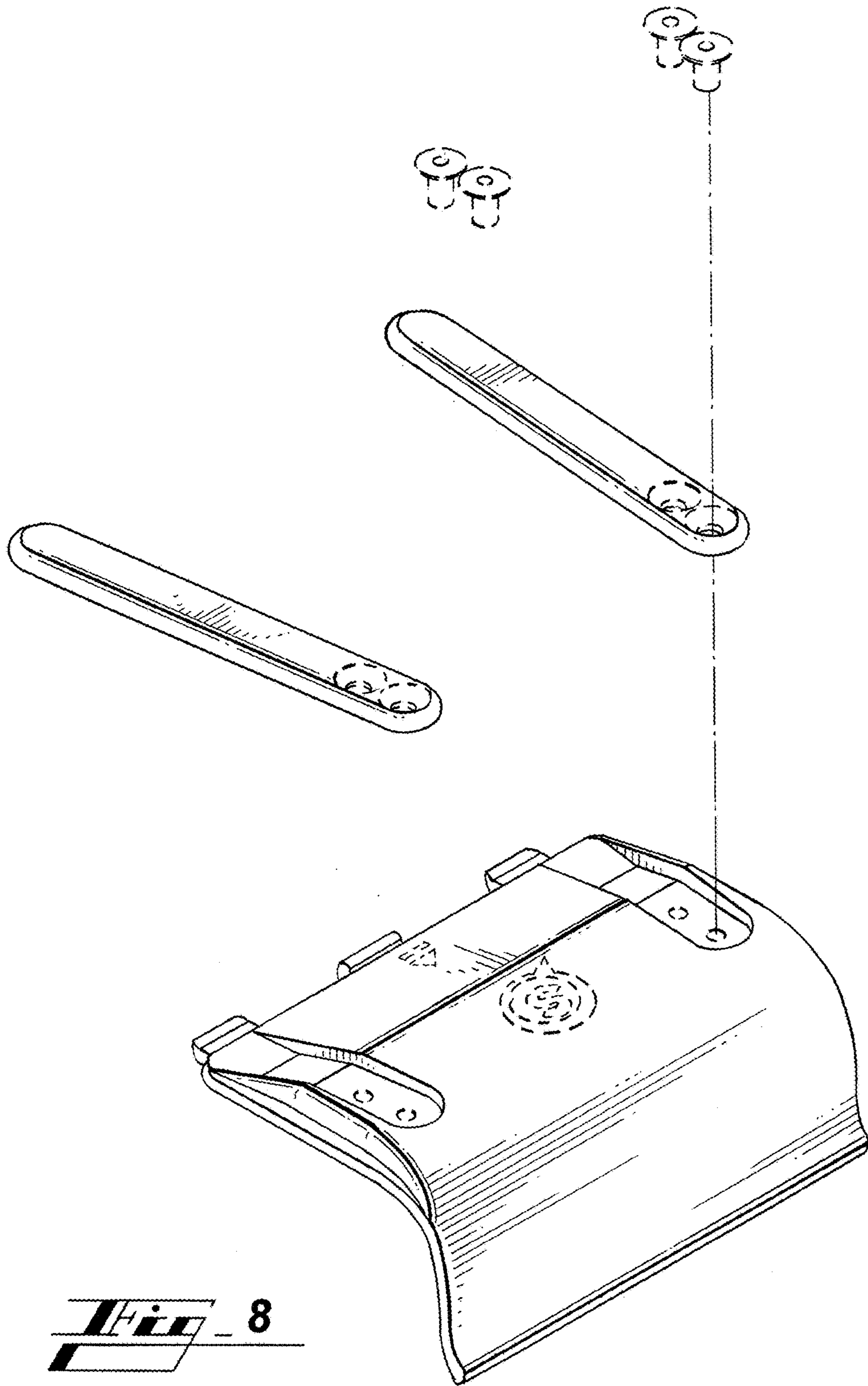


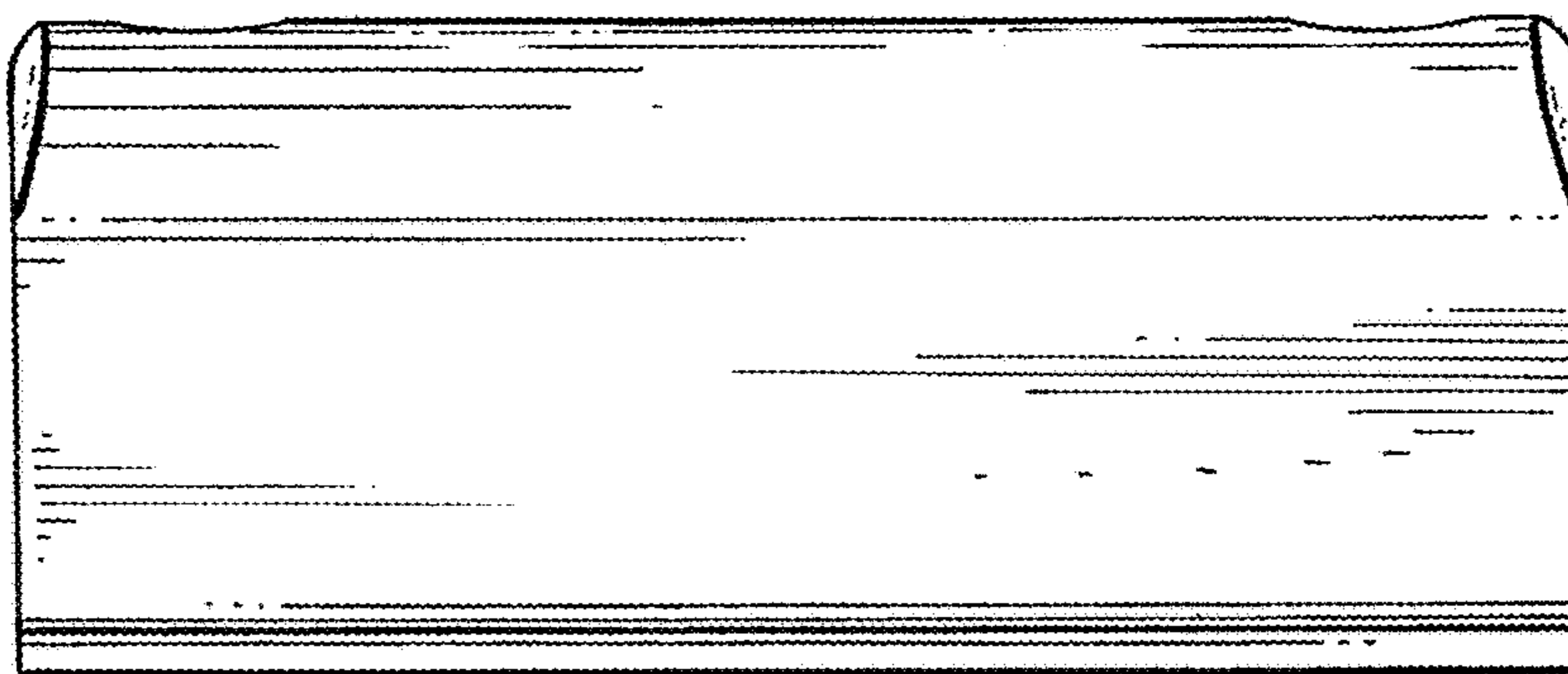
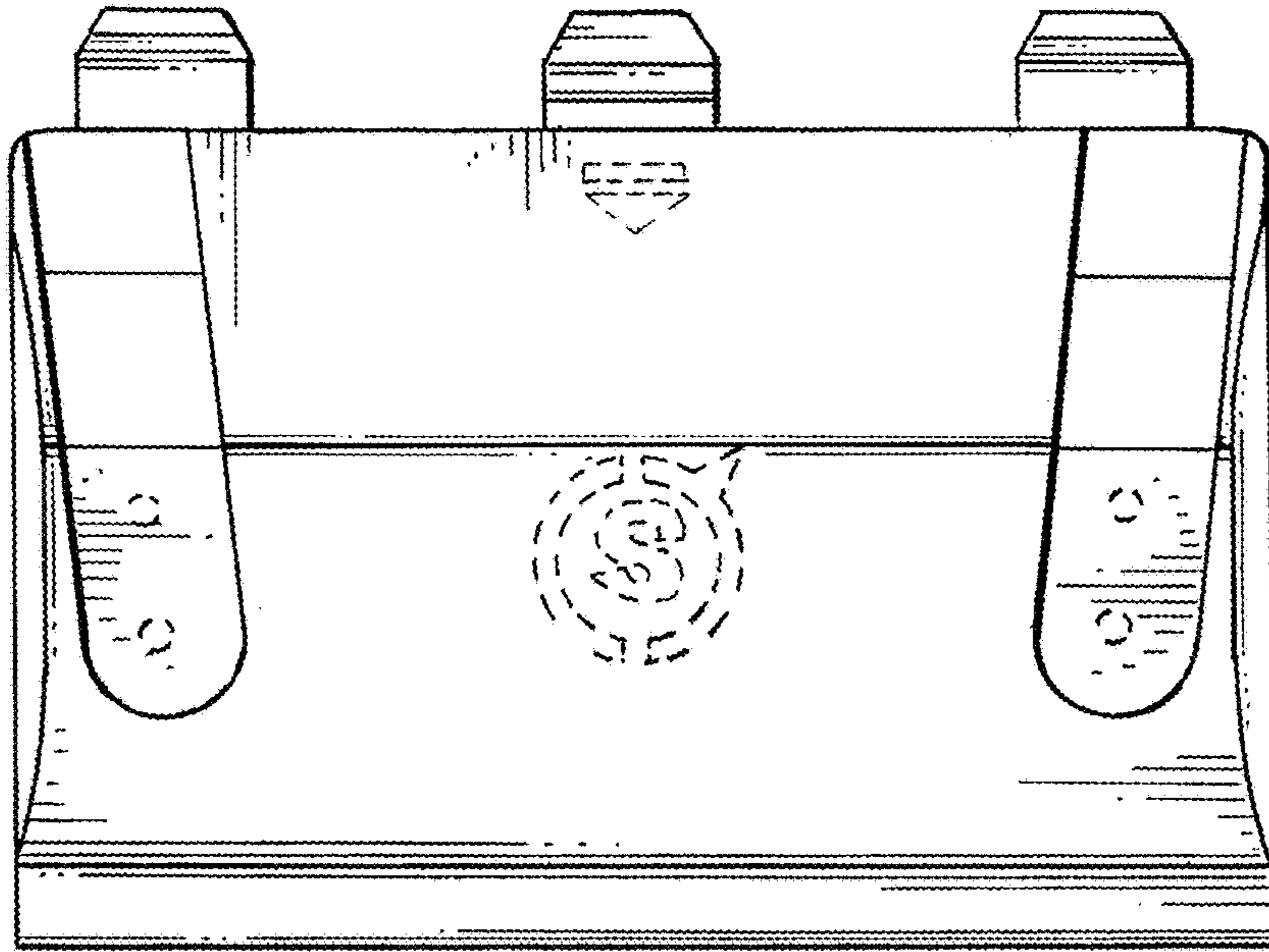
**Fig. 4**



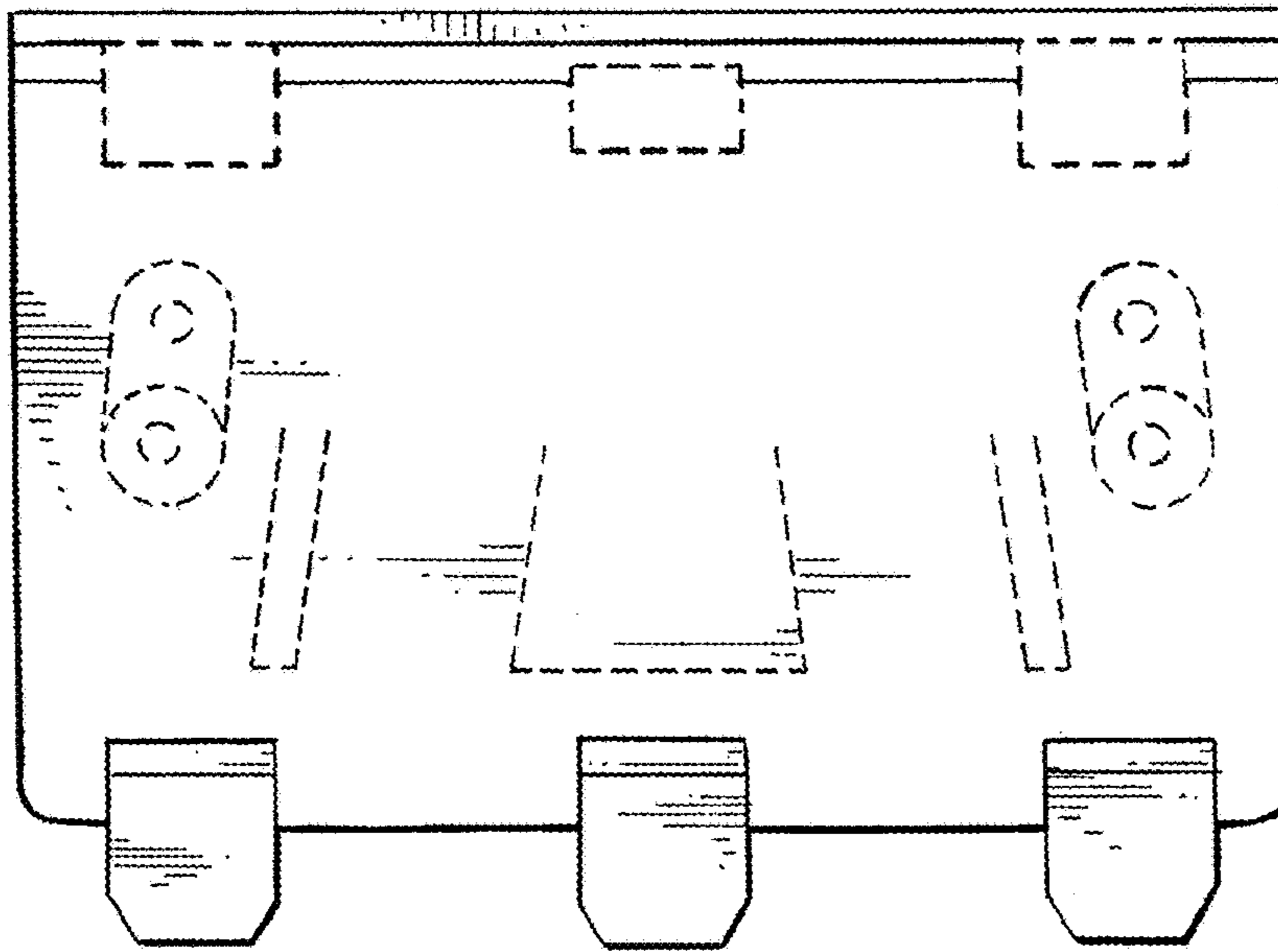
**Fig. 5**



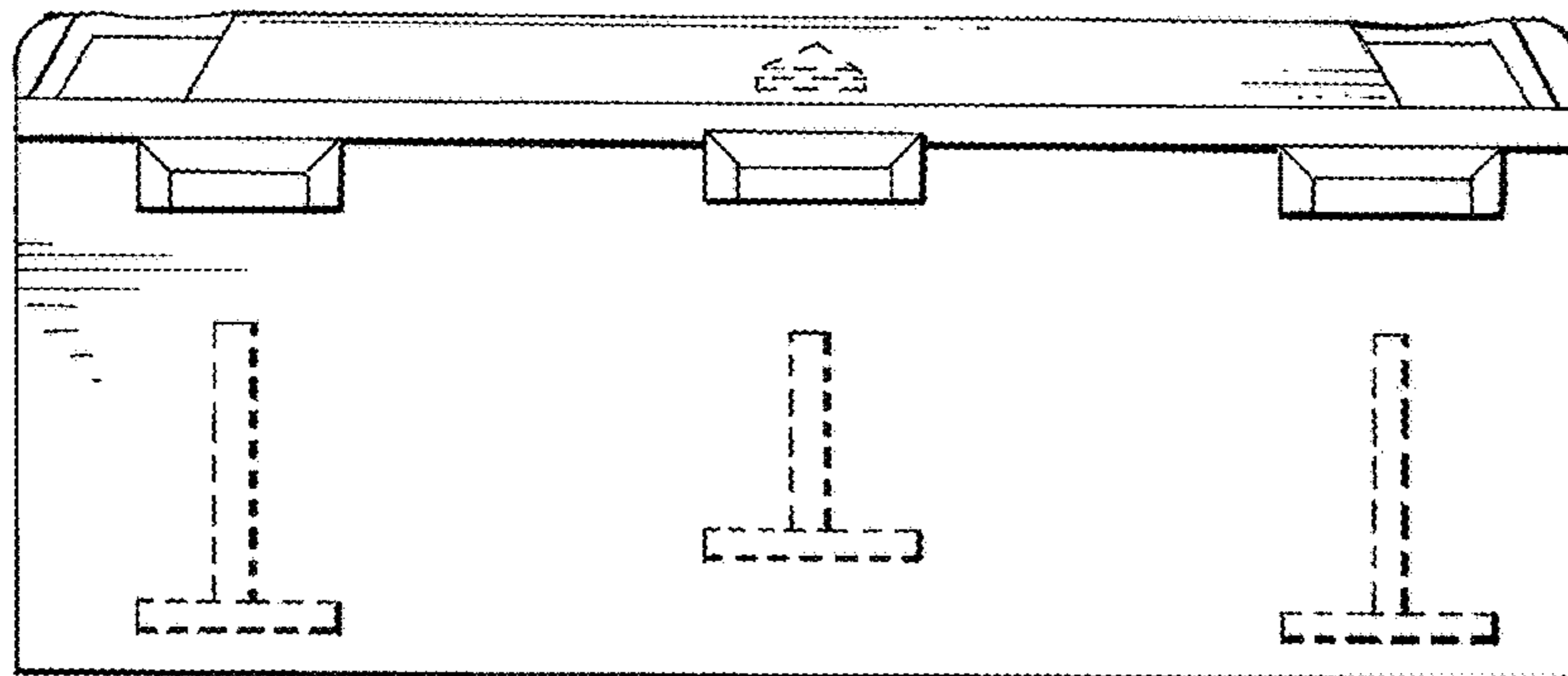




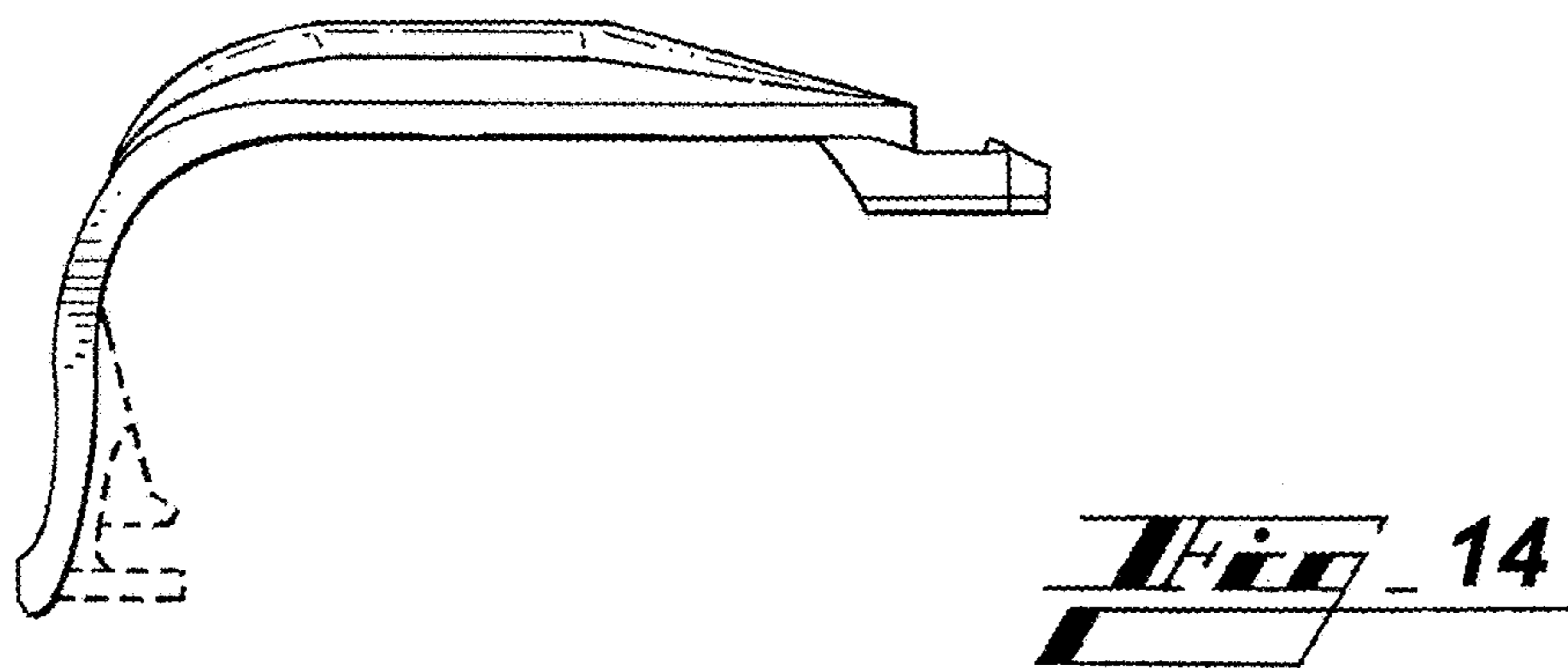
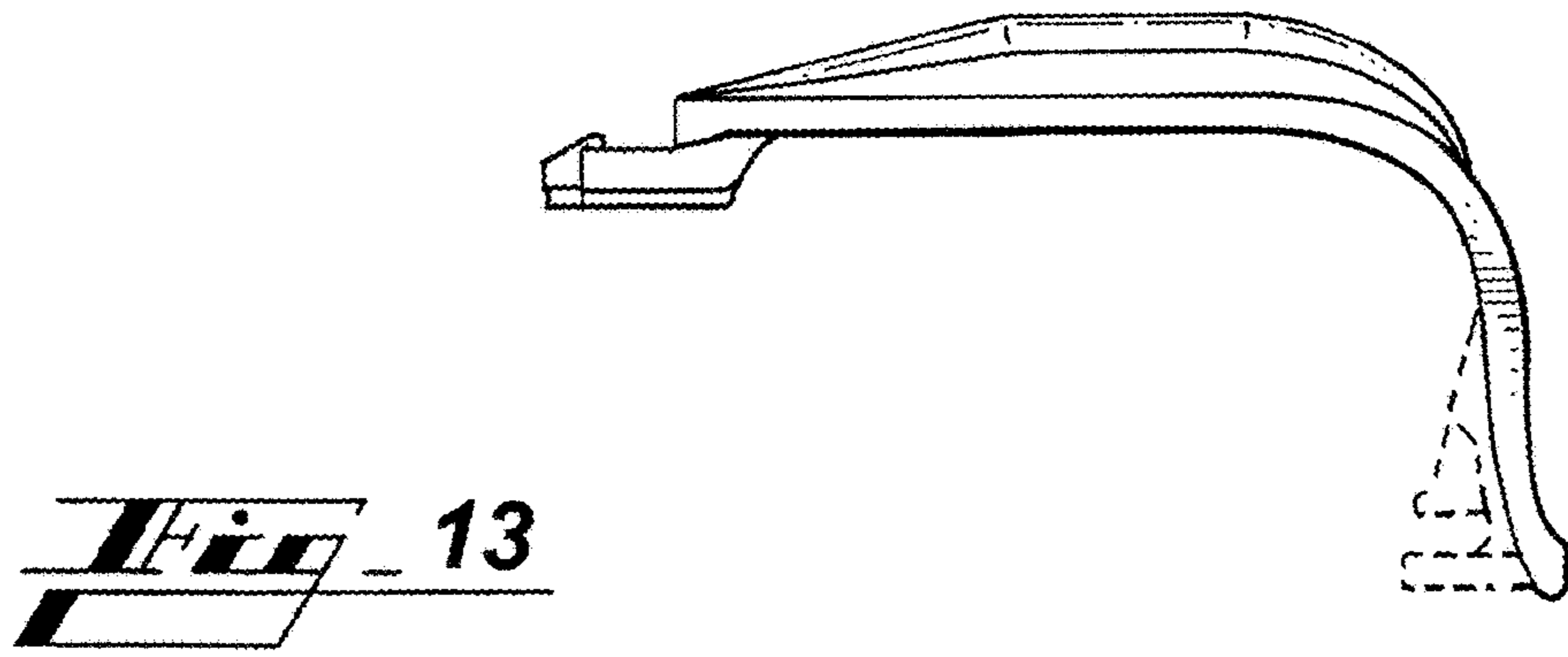




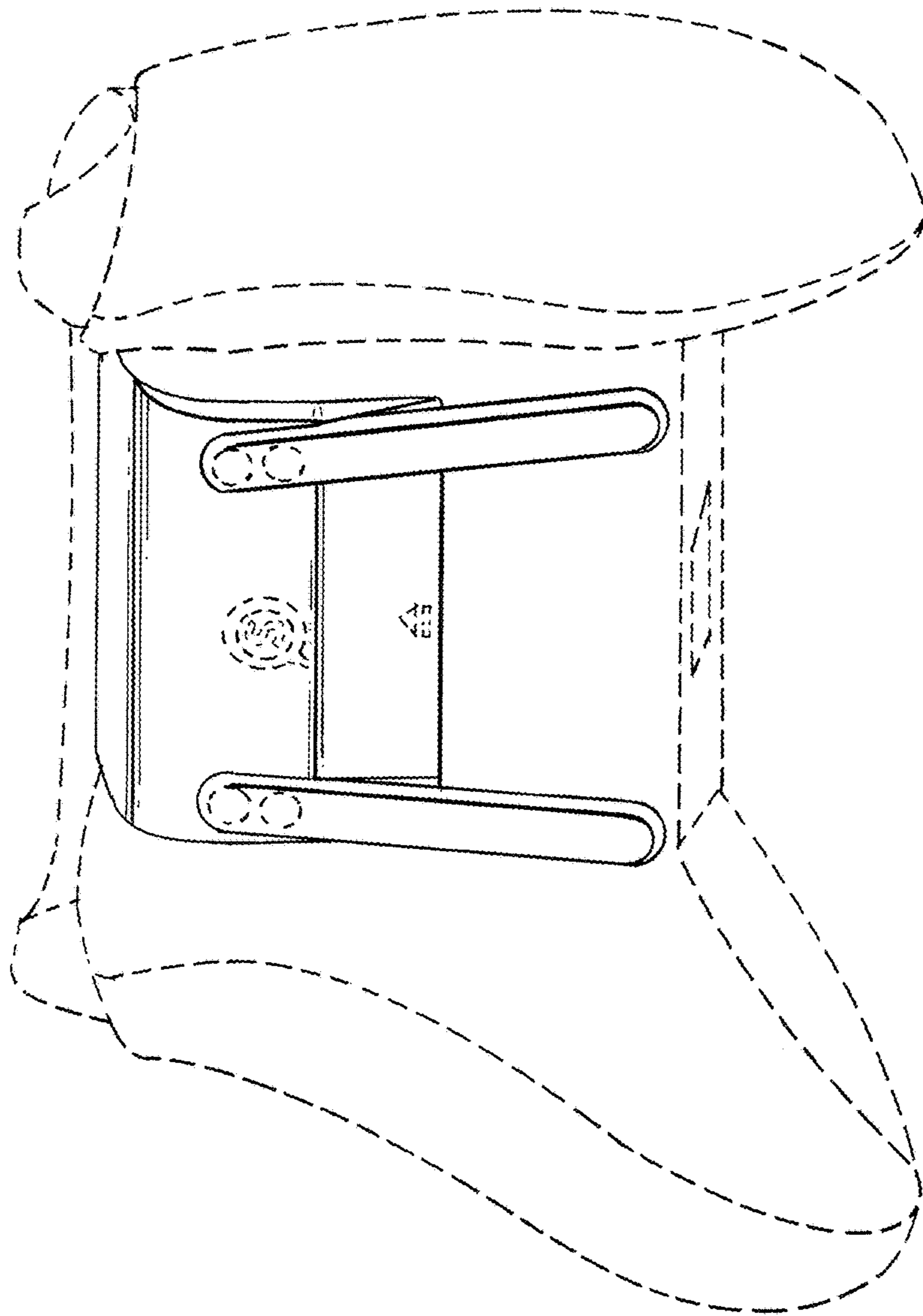
**Fig. 11**



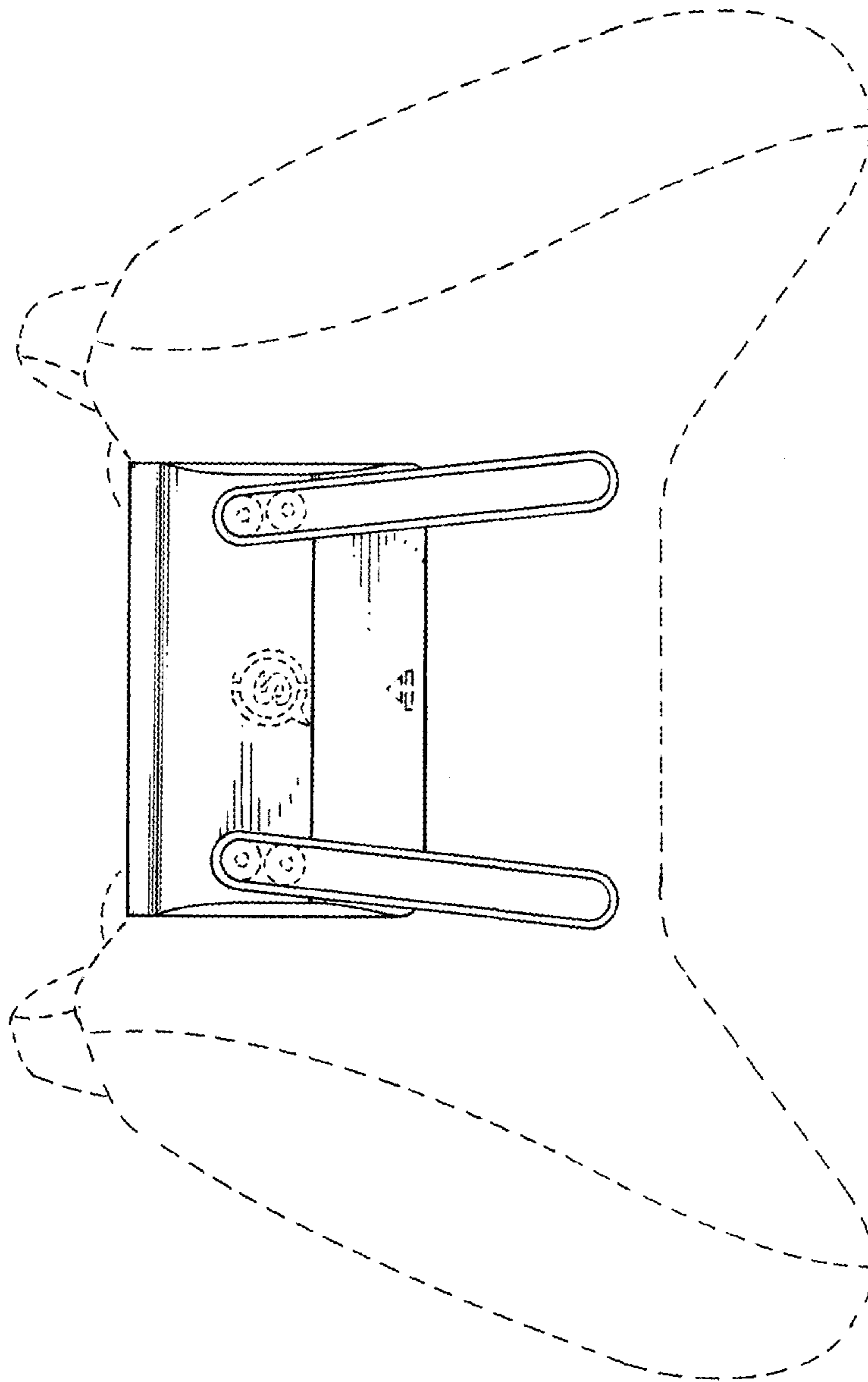
**Fig. 12**

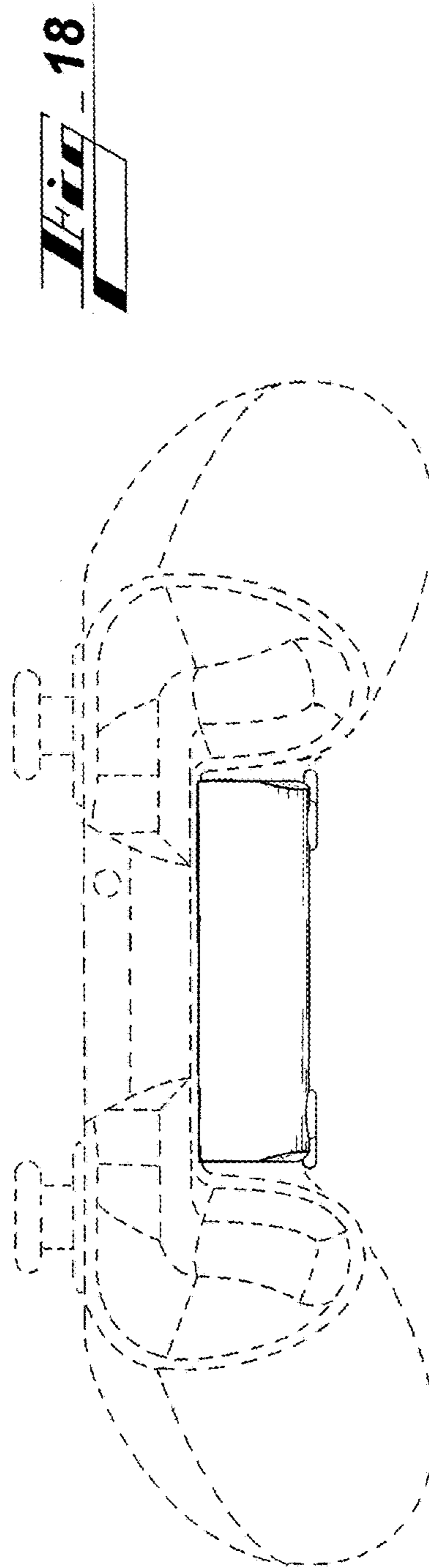
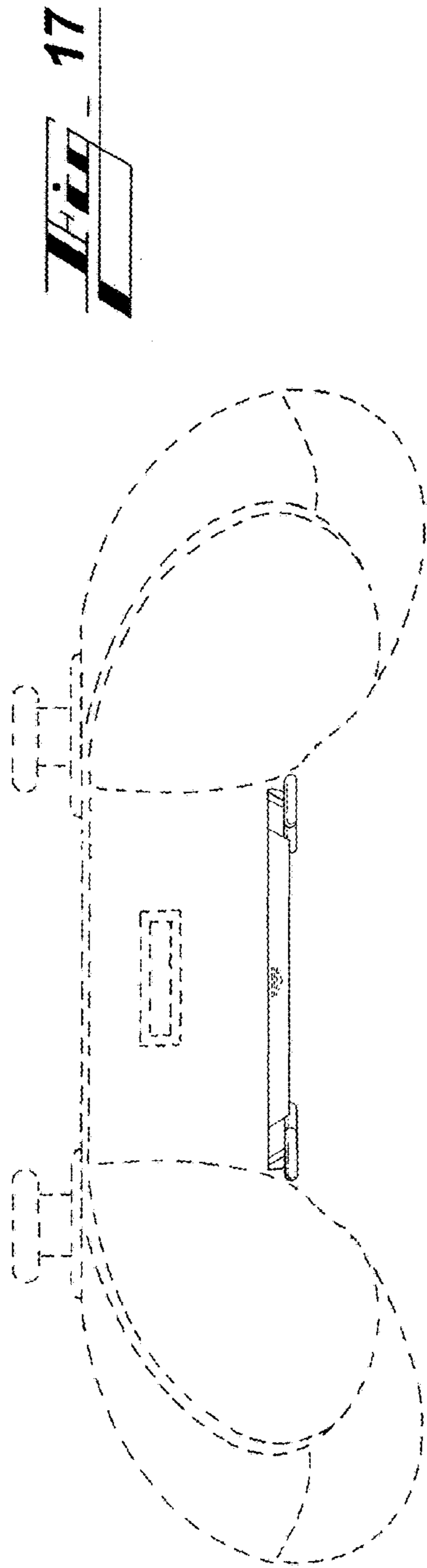


**Fig. 15**

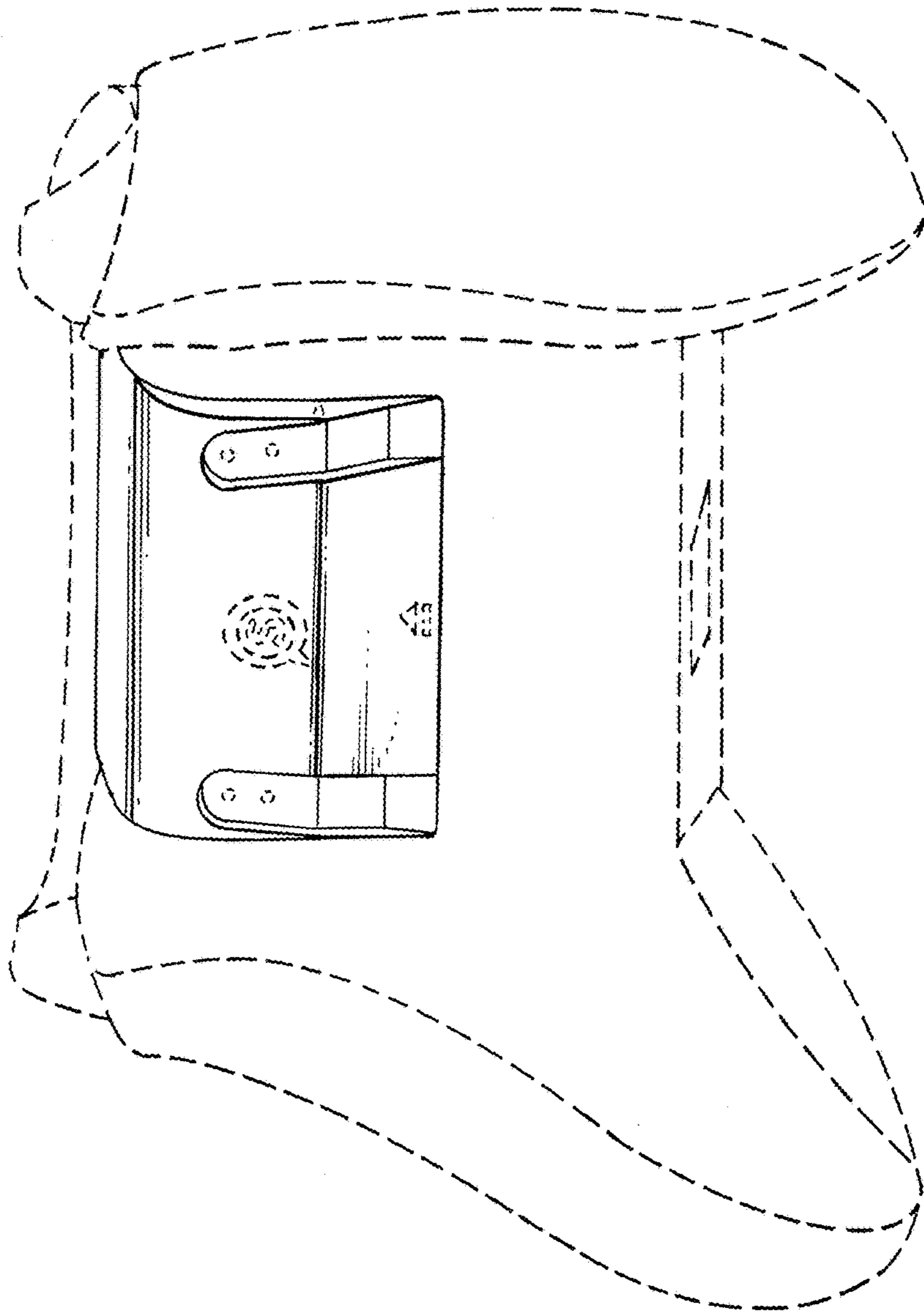


**FIG. 16**





**Fig. 19**



**FIG. 20**

