



US00D777259S

(12) **United States Design Patent** (10) **Patent No.:** **US D777,259 S**
Ricci et al. (45) **Date of Patent:** **** Jan. 24, 2017**

(54) **SIGN FOR A SHELF**
(71) Applicant: **Dana Industries Inc.**, Etobicoke (CA)
(72) Inventors: **John Ricci**, Kleinburg (CA); **Frank Borges**, Carlisle (CA)
(73) Assignee: **Dana Industries, Inc.**, Etobicoke (CA)
(**) Term: **14 Years**
(21) Appl. No.: **29/526,574**
(22) Filed: **May 11, 2015**
(51) **LOC (10) Cl.** **20-03**
(52) **U.S. Cl.**
USPC **D20/42; D20/43**
(58) **Field of Classification Search**
USPC . D20/10, 42-44, 99; D6/300, 314; D25/119
CPC G09F 1/10; G09F 3/18; G09F 3/204;
G09F 3/208; G09F 7/18; B42F
21/065; B42F 21/10
See application file for complete search history.

(56) **References Cited**

U.S. PATENT DOCUMENTS

1,448,823	A *	3/1923	Bernard	G09F 1/10
					40/124.16
4,051,615	A *	10/1977	Gosanko	G09F 1/10
					40/661
4,209,925	A *	7/1980	Brugmann	B42F 21/10
					40/359
D311,457	S *	10/1990	Shapiro	D6/314
D424,624	S *	5/2000	Garfinkle	D20/43
D439,058	S *	3/2001	Freiberg	D6/314
D538,857	S *	3/2007	Lutz	D20/43
7,334,363	B1 *	2/2008	Hansen	B42F 21/065
					211/162
9,373,273	B2 *	6/2016	Engelby	G09F 3/208
2014/0158846	A1 *	6/2014	Nicolis	G09F 3/204
					248/309.1

(Continued)

Primary Examiner — Mary Ann Calabrese
(74) *Attorney, Agent, or Firm* — Santosh K. Chari; Blake, Cassels & Graydon LLP

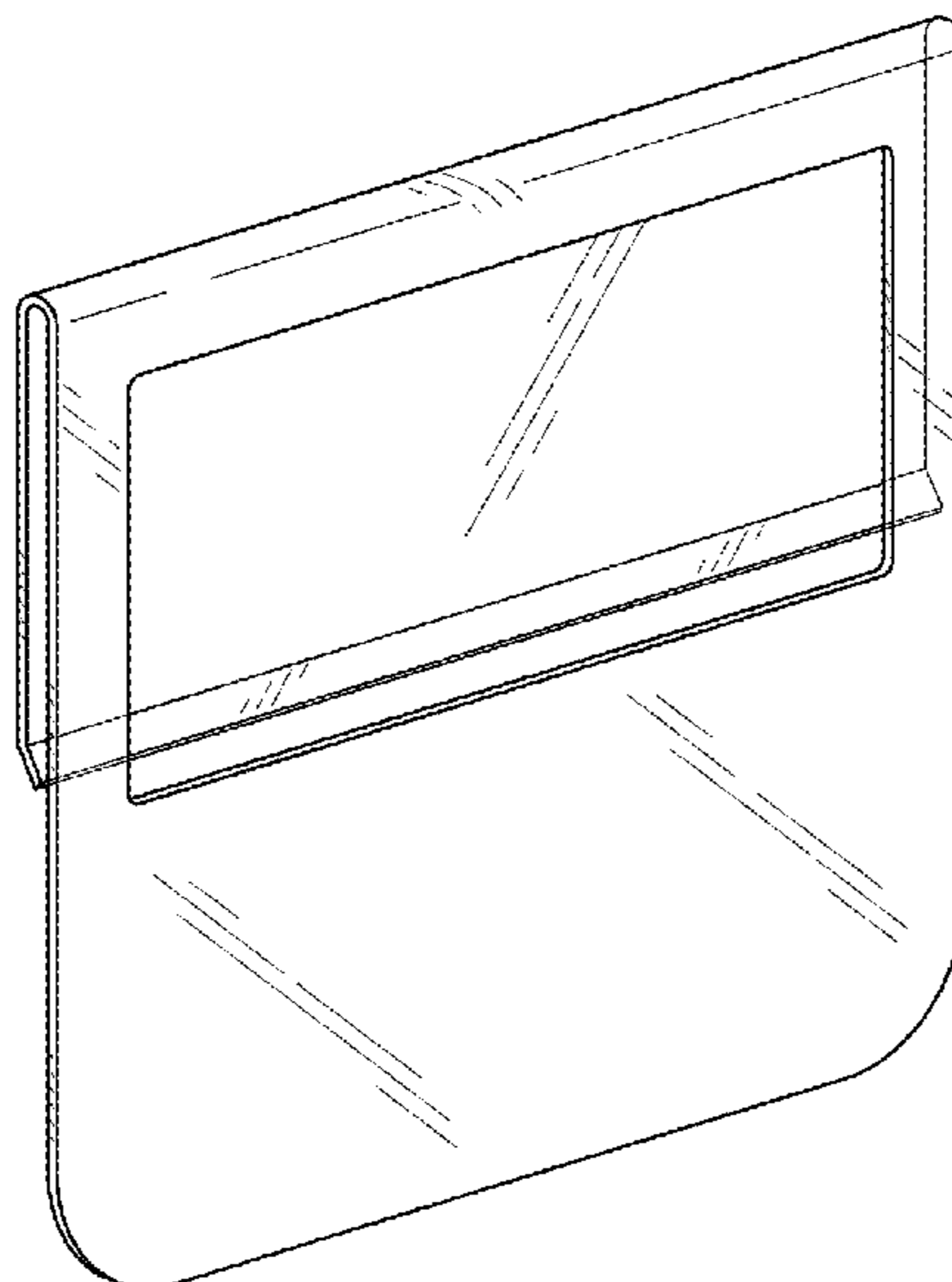
(57) **CLAIM**

The ornamental design for a sign for a shelf, substantially as shown and described.

DESCRIPTION

FIG. 1 is a top, front perspective view of the sign for a shelf according to a first embodiment.
FIG. 2 is a top, rear perspective view thereof.
FIG. 3 is a front view thereof.
FIG. 4 is a rear view thereof.
FIG. 5 is a left side view thereof.
FIG. 6 is a right side view thereof.
FIG. 7 is a top, front perspective view of the sign for a shelf according to another embodiment.
FIG. 8 is a top, rear perspective view thereof.
FIG. 9 is a front view thereof.
FIG. 10 is a rear view thereof.
FIG. 11 is a left side view thereof.
FIG. 12 is a right side view thereof.
FIG. 13 is a top, front perspective view of the sign for a shelf according to another embodiment.
FIG. 14 is a top, rear perspective view thereof.
FIG. 15 is a front view thereof.
FIG. 16 is a rear view thereof.
FIG. 17 is a left side view thereof.
FIG. 18 is a right side view thereof.
FIG. 19 is a top, front perspective view of the sign for a shelf according to another embodiment.
FIG. 20 is a top, rear perspective view thereof.
FIG. 21 is a front view thereof.
FIG. 22 is a rear view thereof.
FIG. 23 is a left side view thereof; and,
FIG. 24 is a right side view thereof.

1 Claim, 8 Drawing Sheets



(56)

References Cited

U.S. PATENT DOCUMENTS

2015/0332616 A1* 11/2015 Ports G09F 7/18
40/544

* cited by examiner

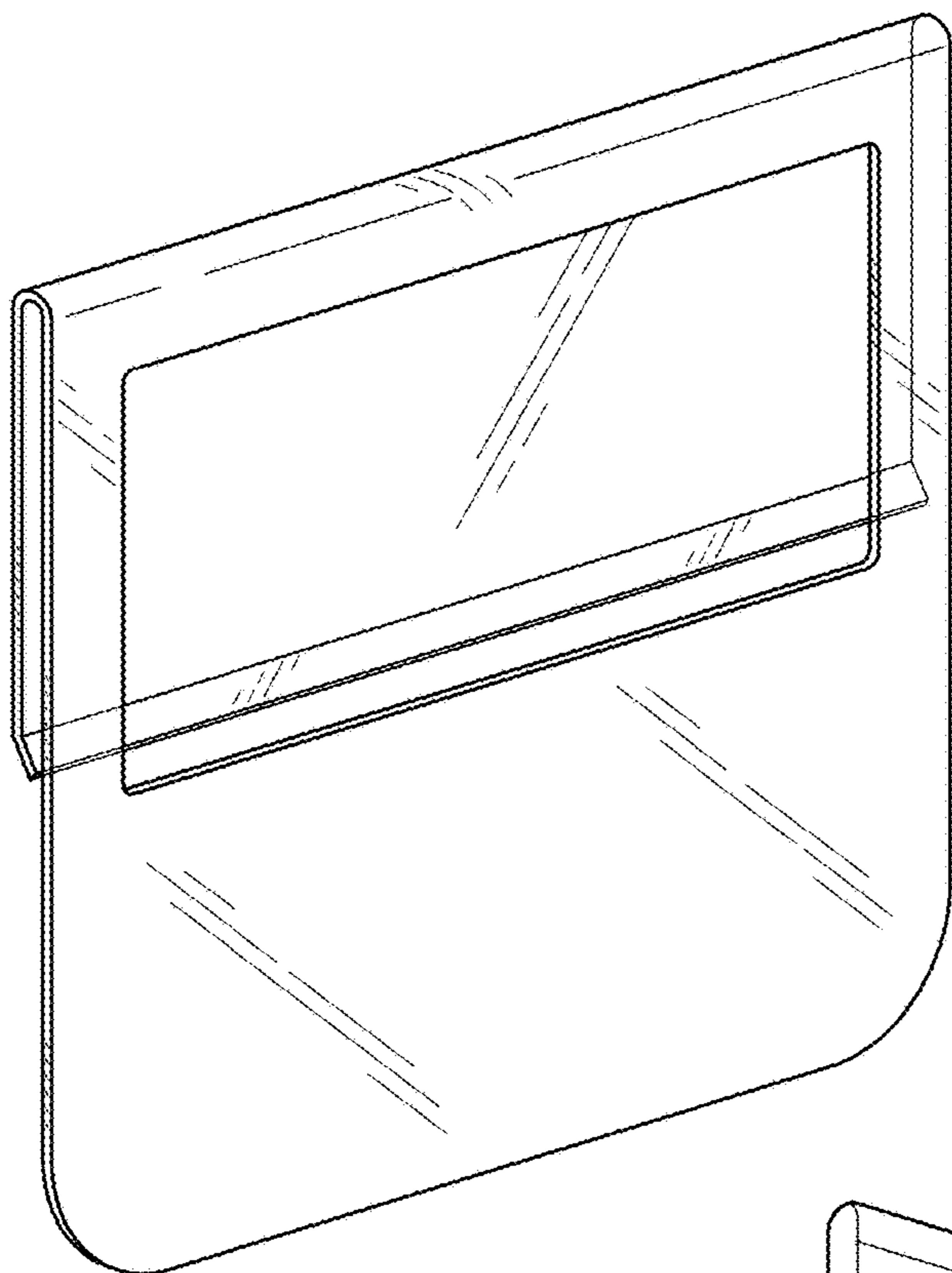


FIG. 1

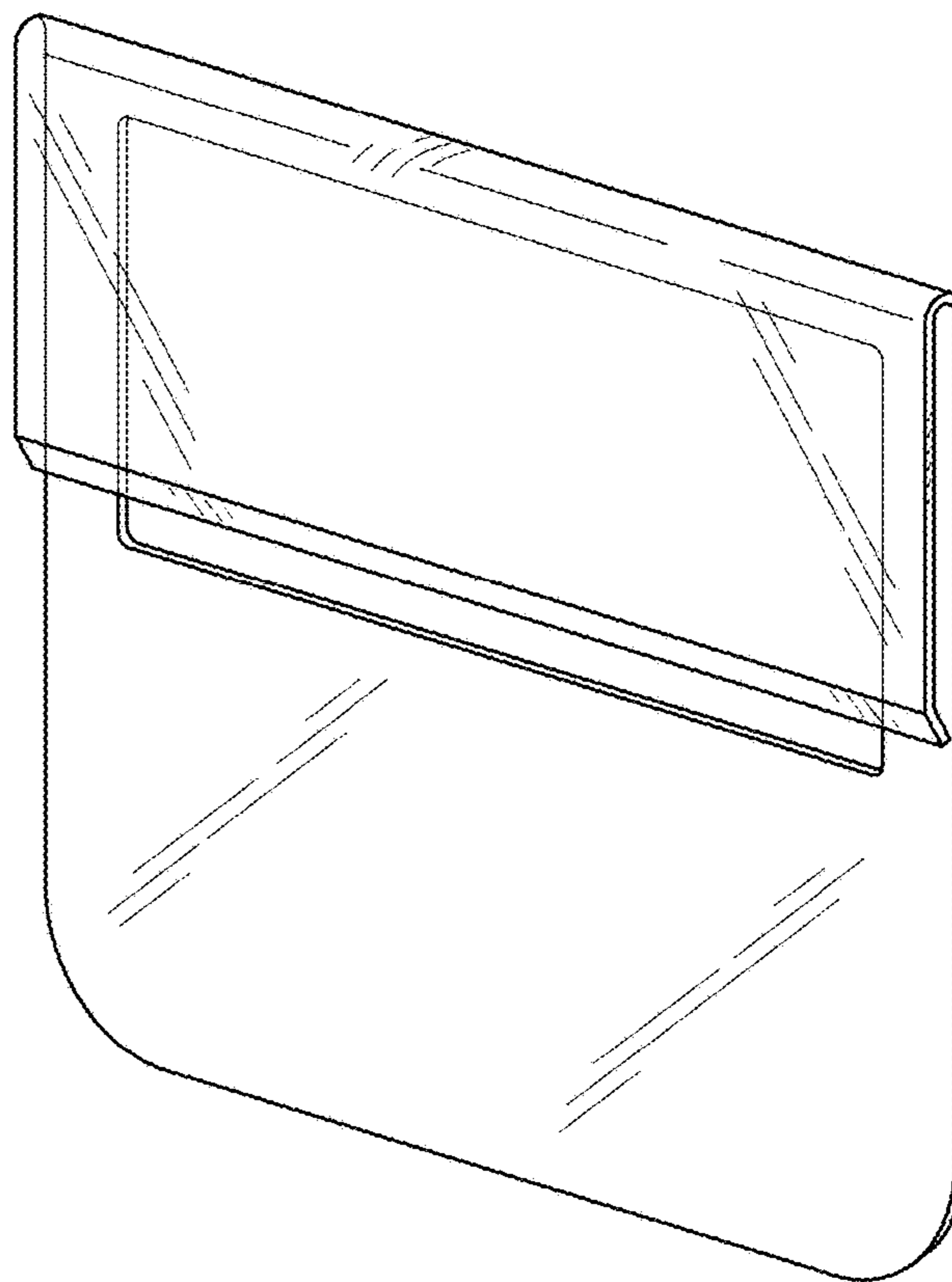


FIG. 2

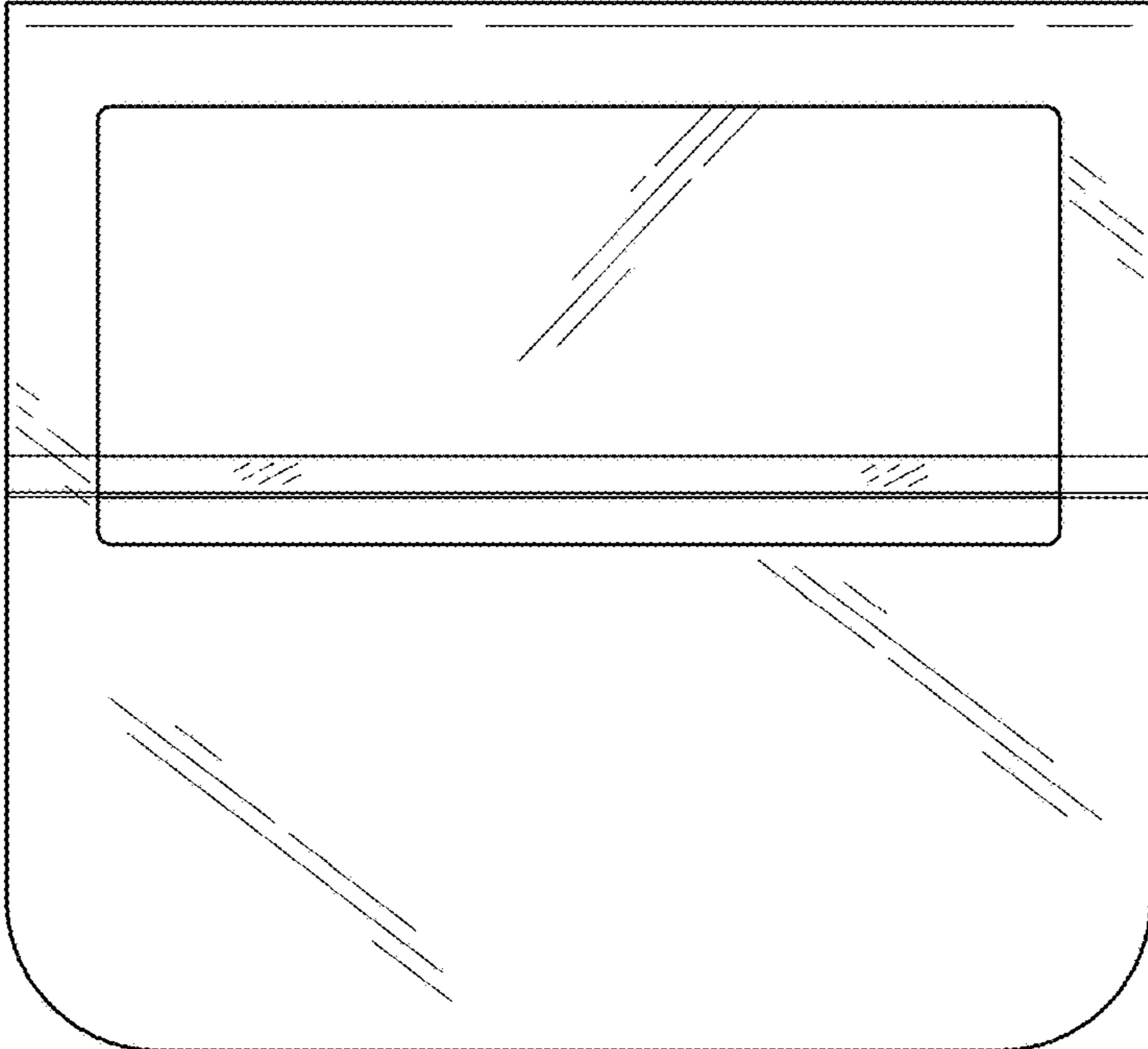


FIG. 3

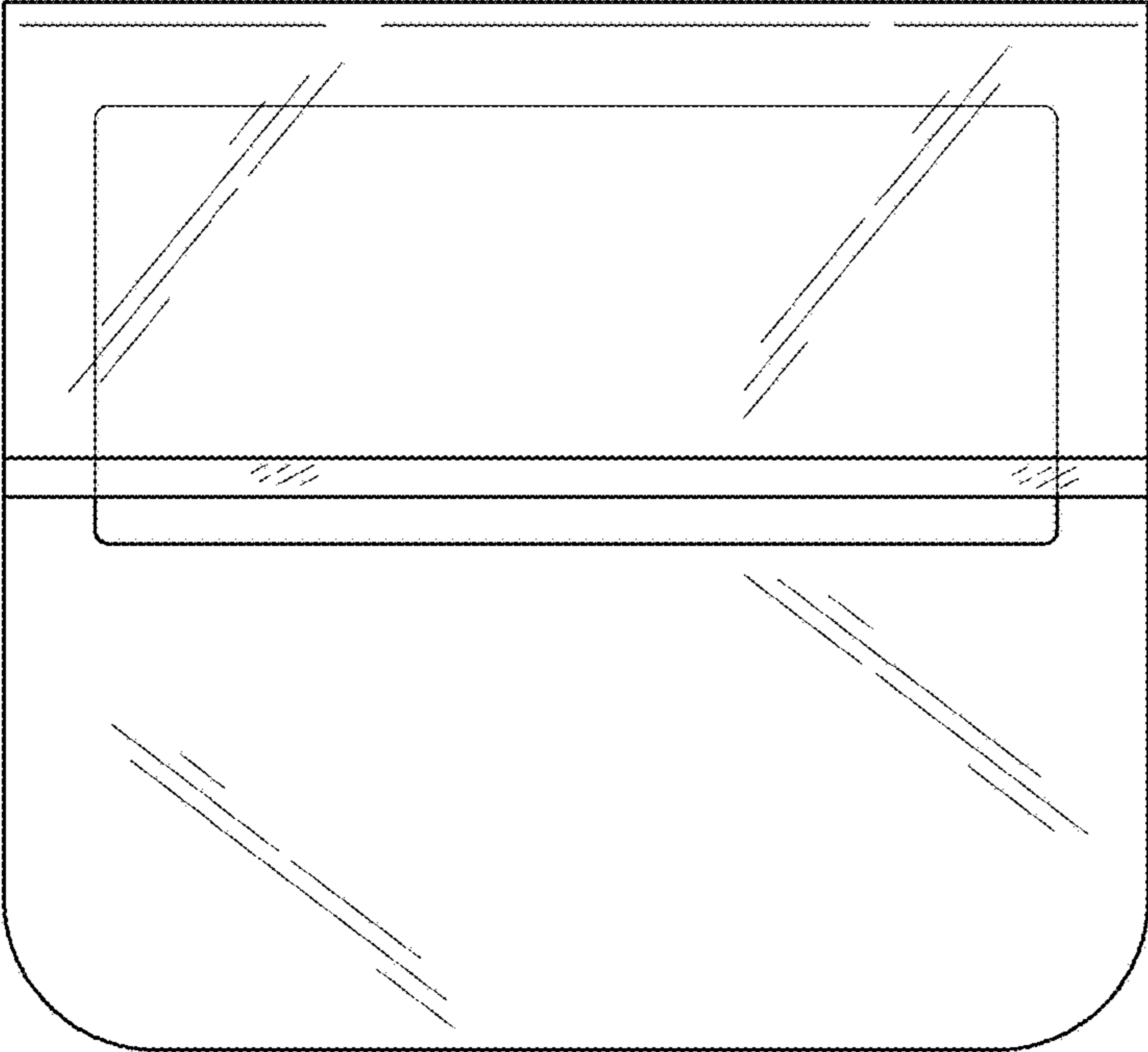


FIG. 4



FIG. 5



FIG. 6

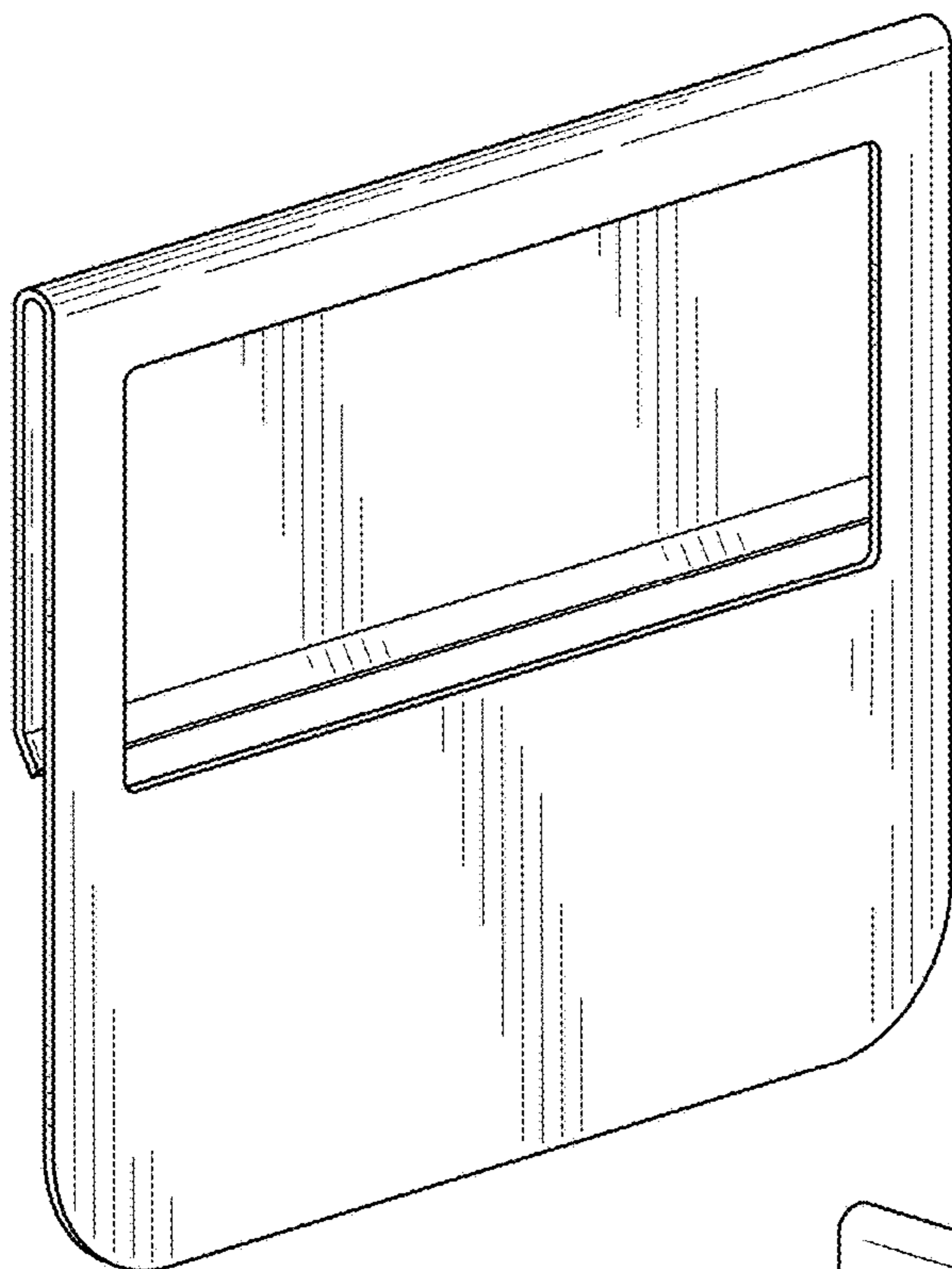


FIG. 7

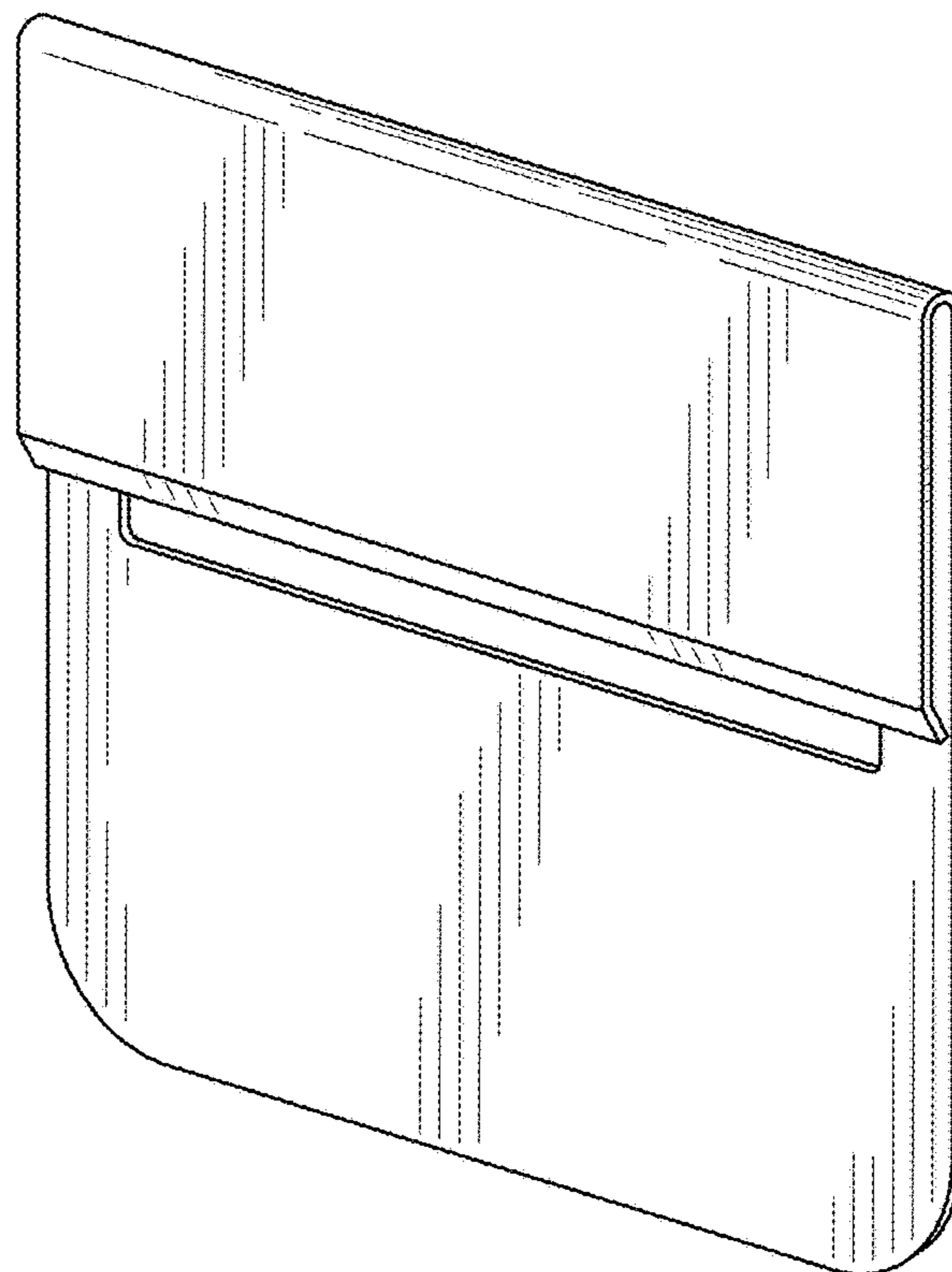


FIG. 8

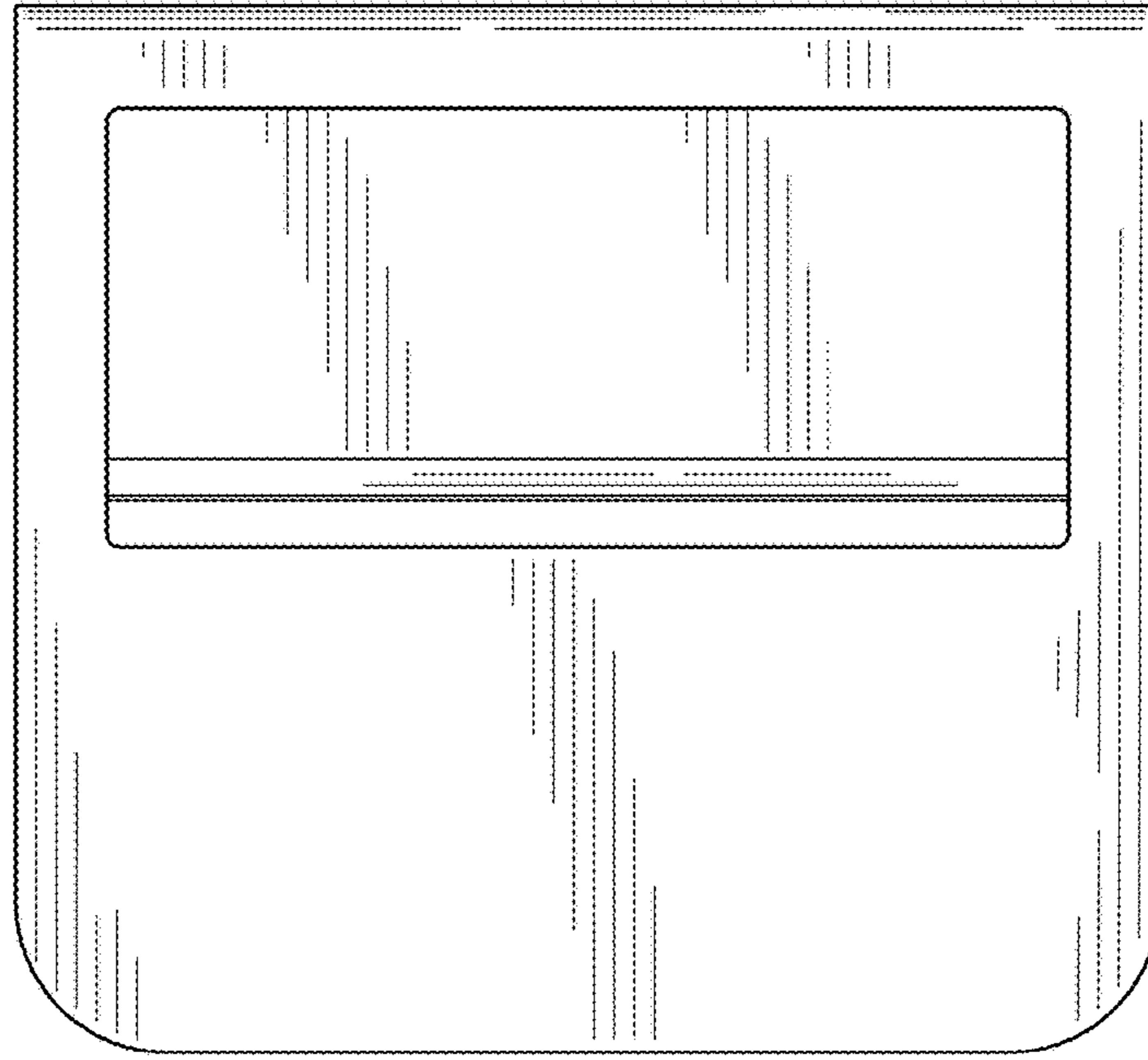


FIG. 9

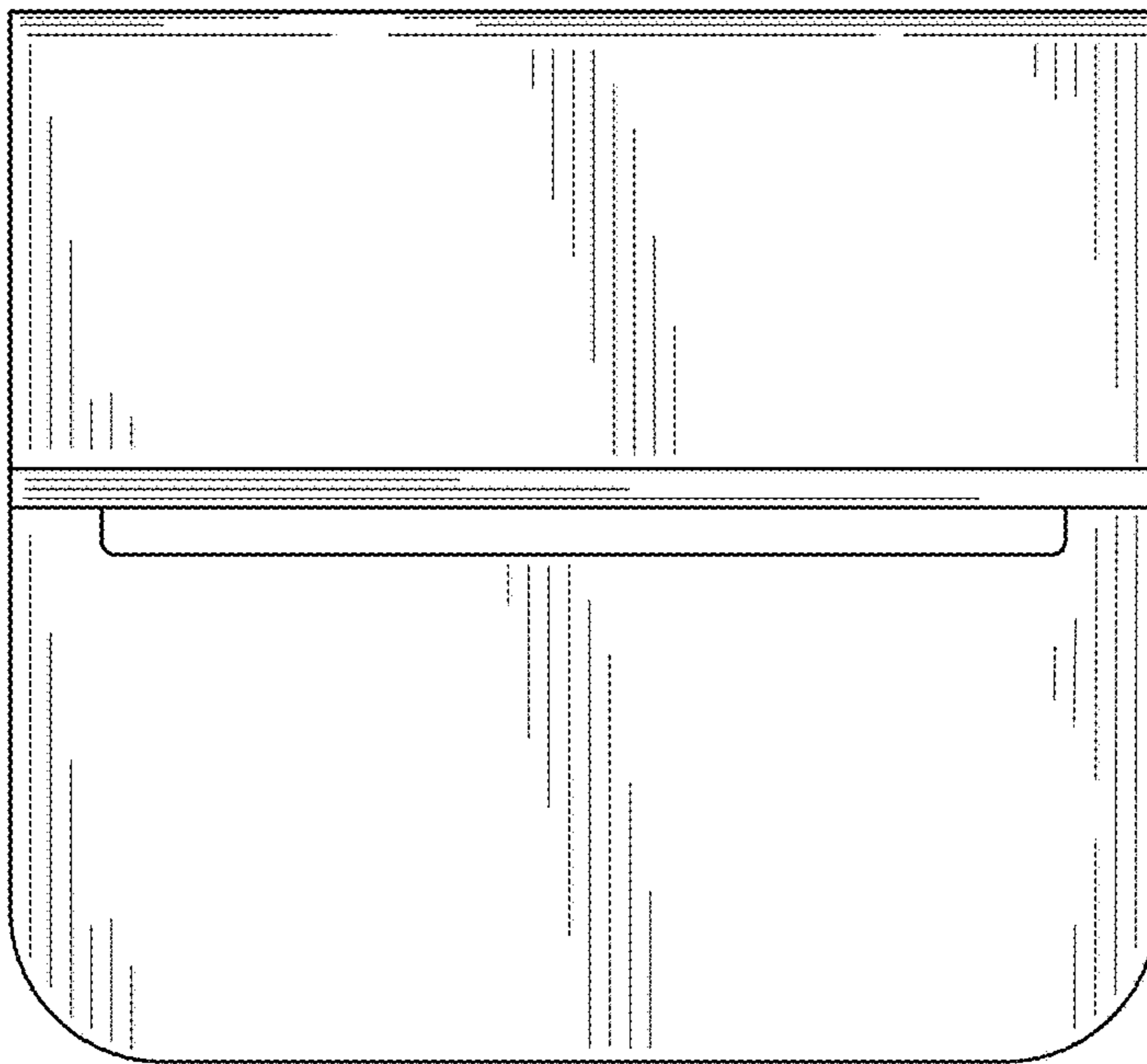


FIG. 10

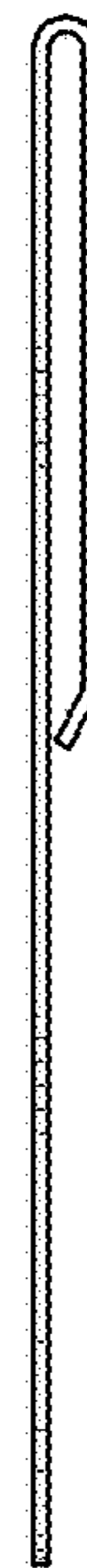


FIG. 11



FIG. 12

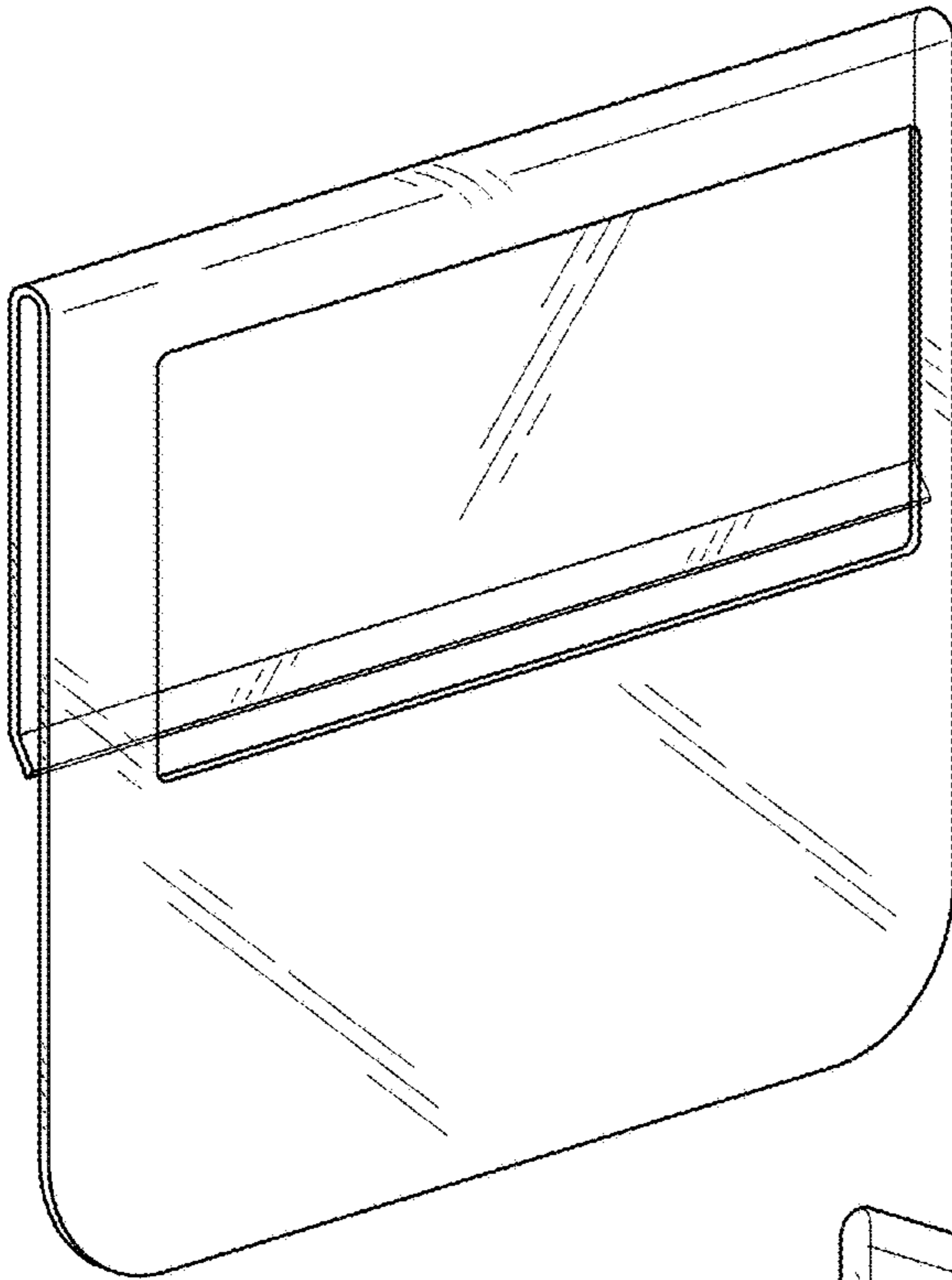


FIG. 13

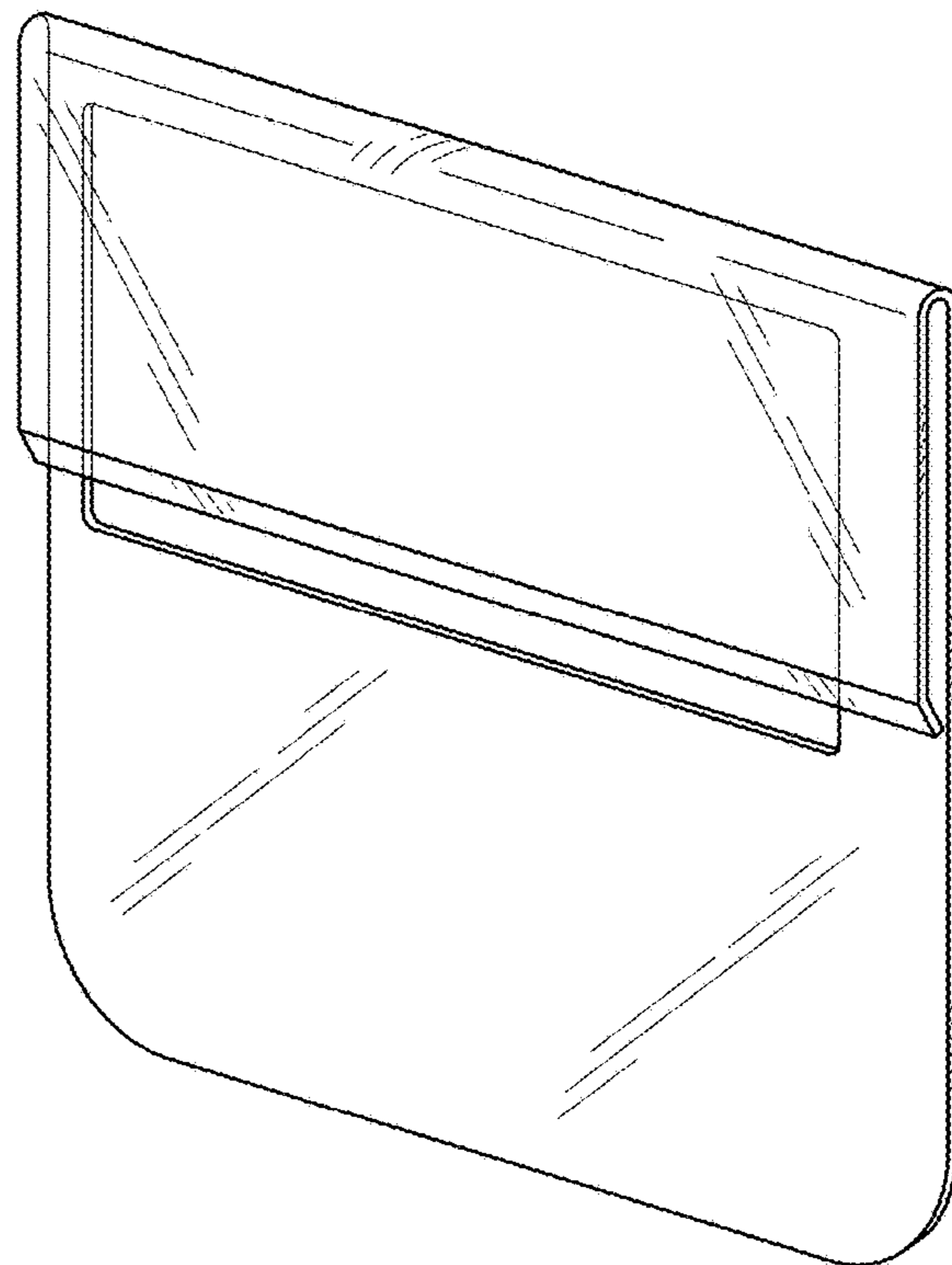


FIG. 14

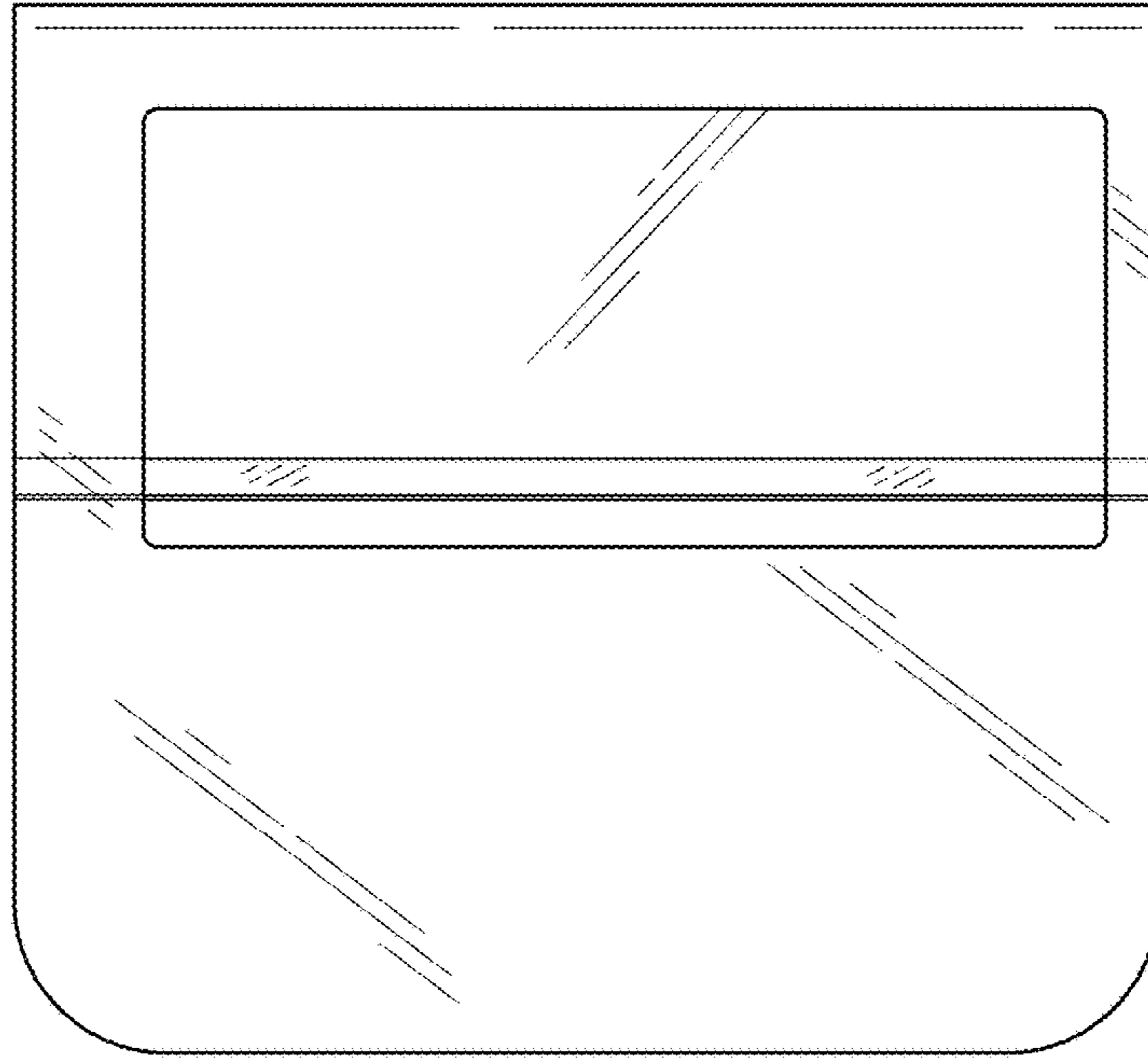


FIG. 15

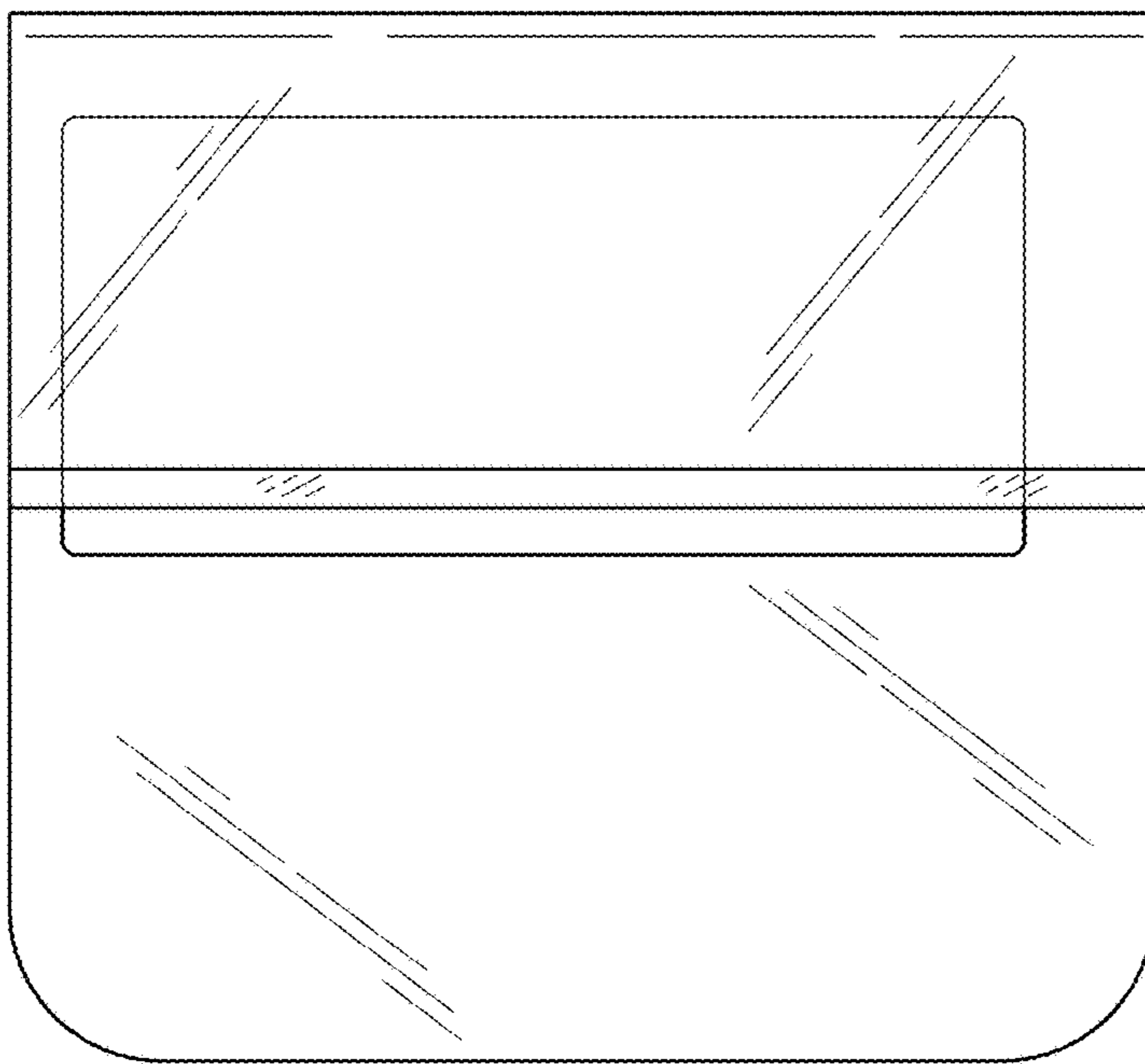


FIG. 16



FIG. 17



FIG. 18

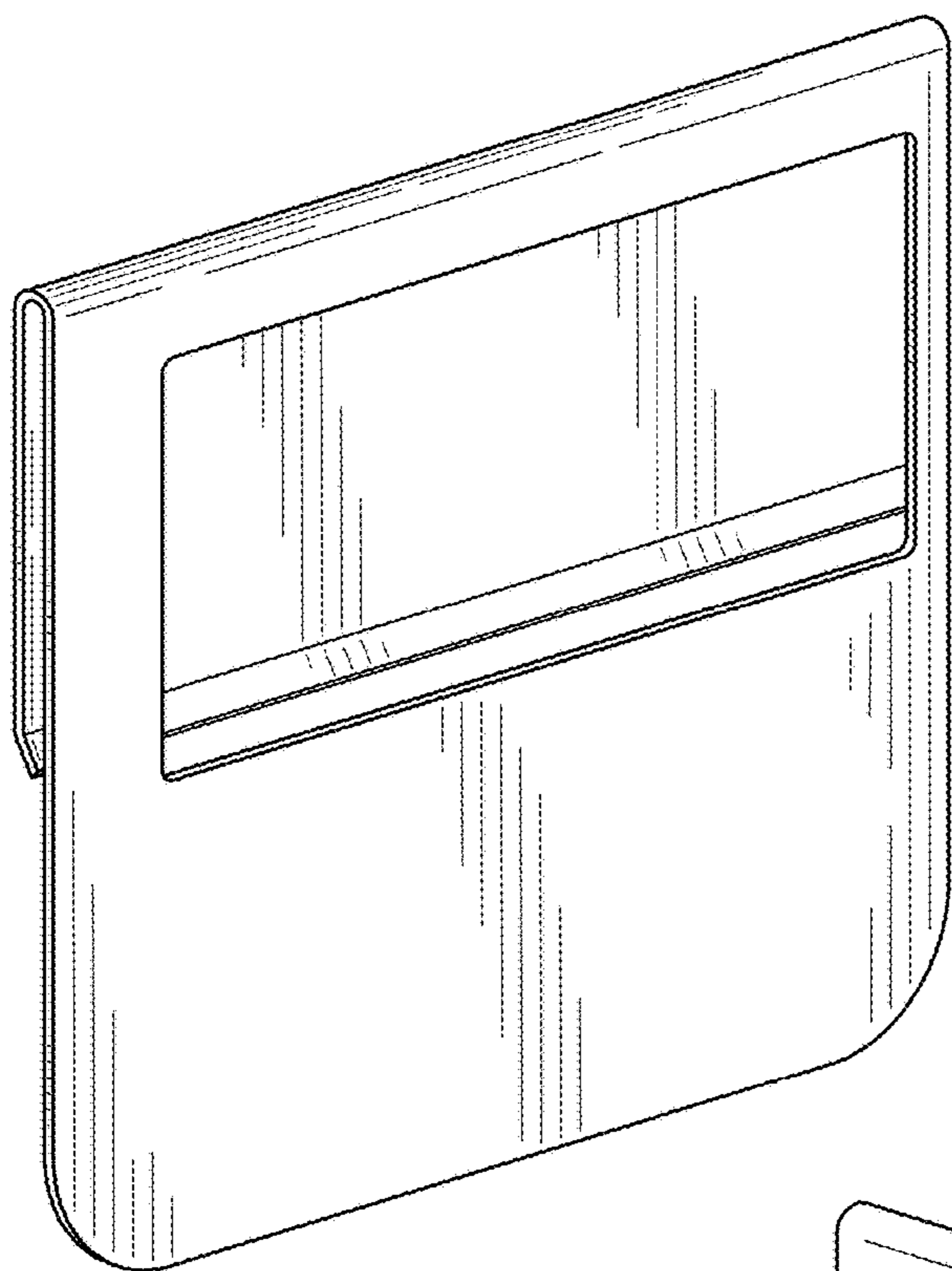


FIG. 19

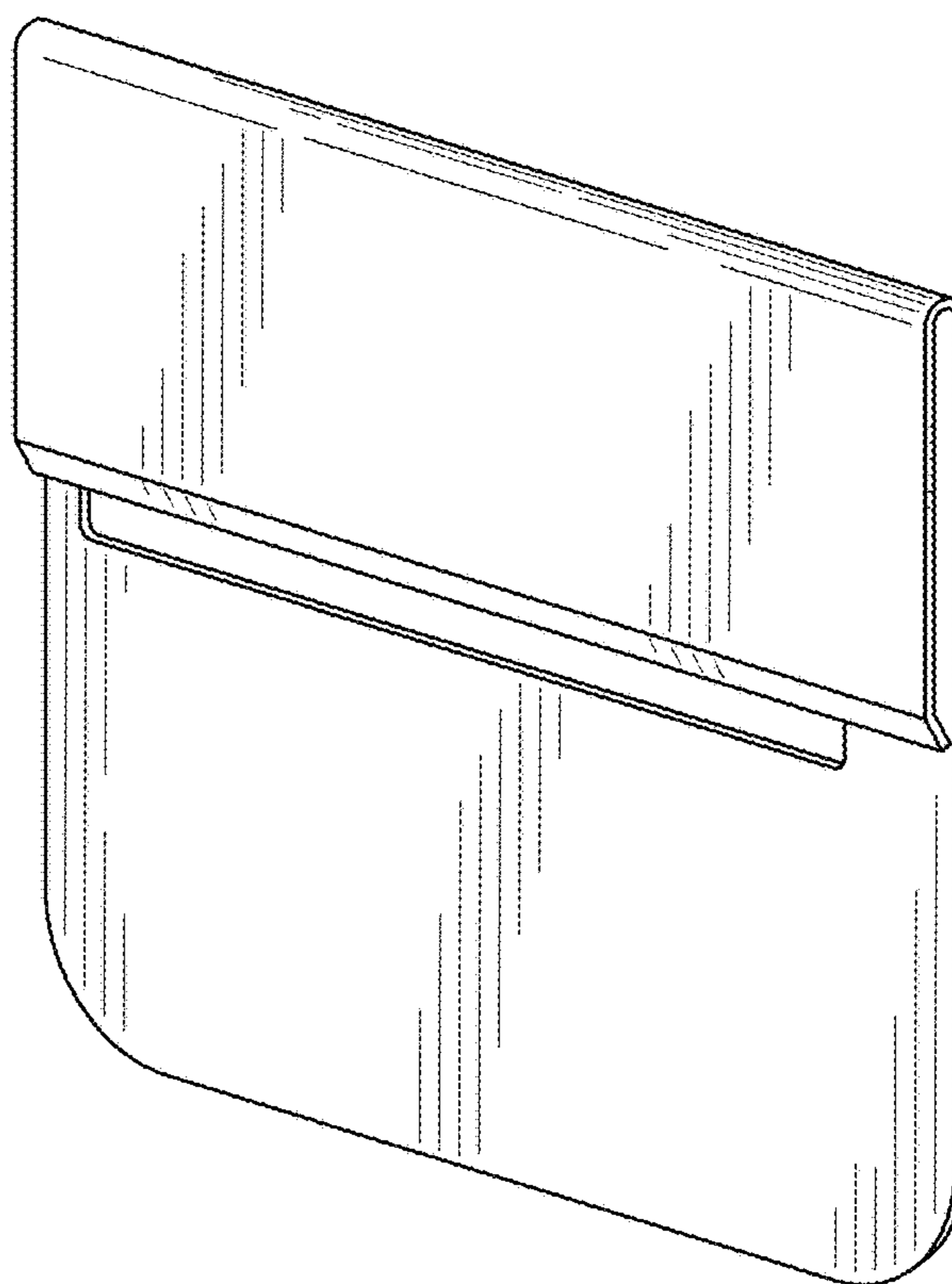


FIG. 20

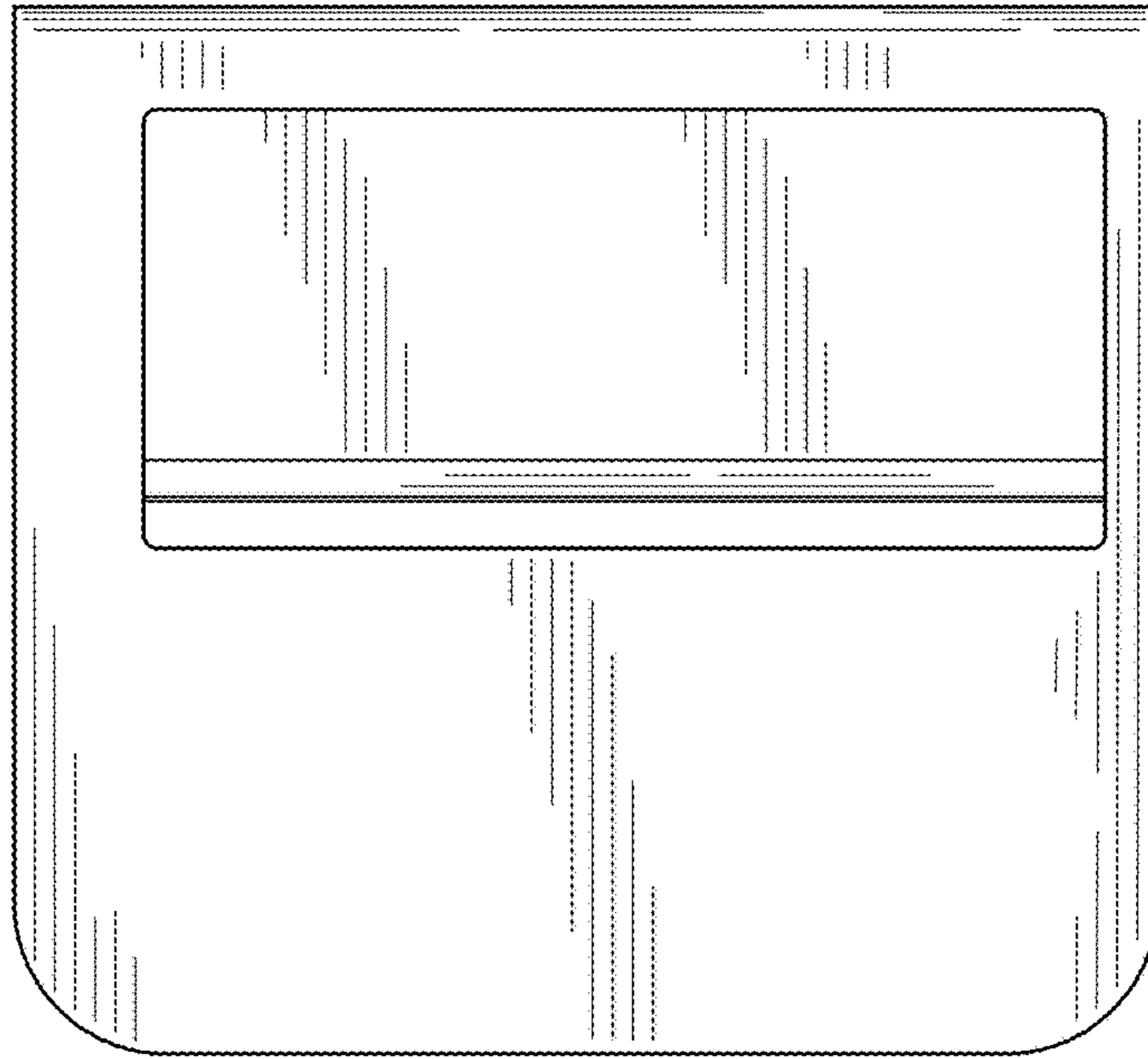


FIG. 21

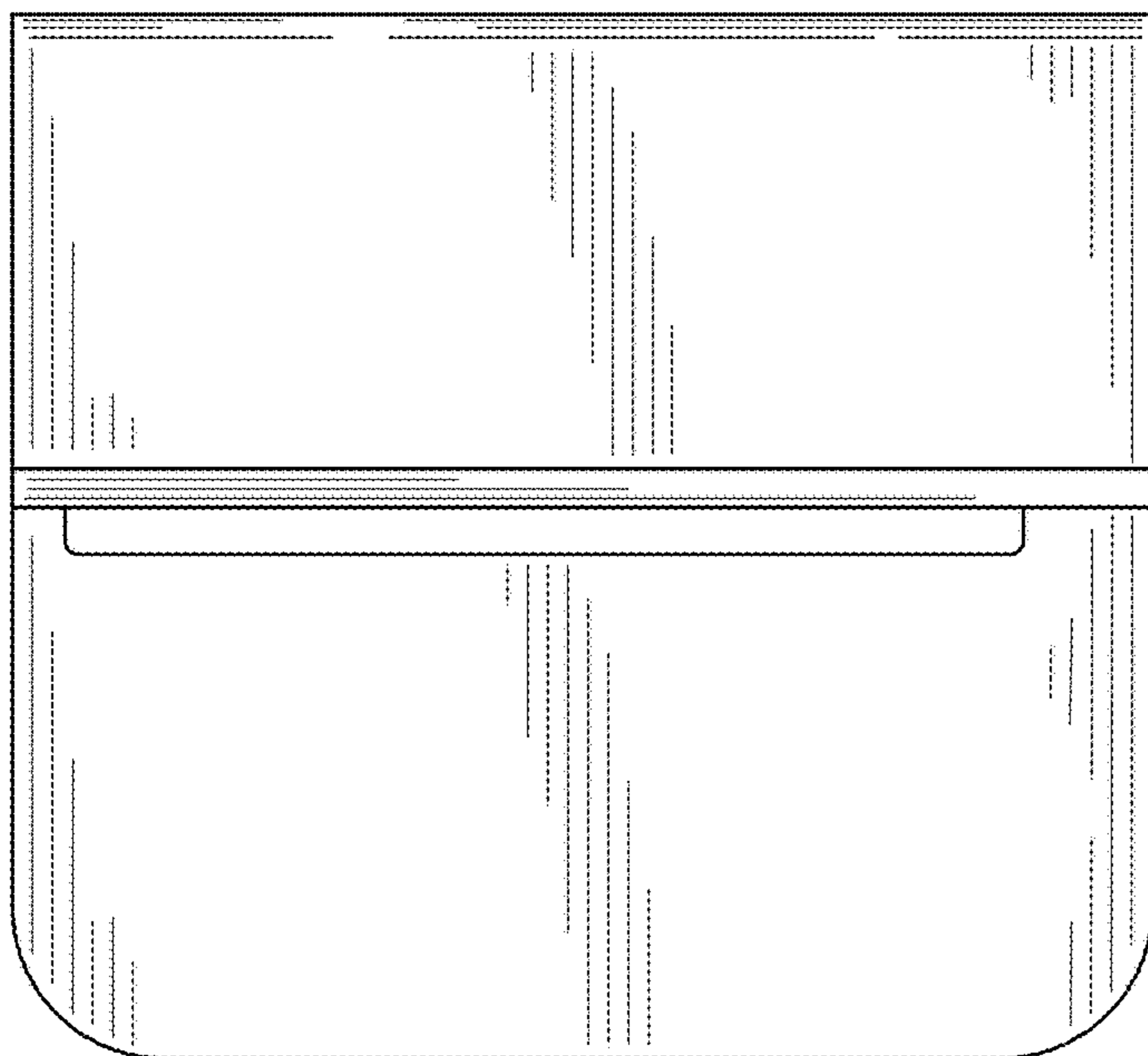


FIG. 22



FIG. 23



FIG. 24