



US00D777258S

(12) **United States Design Patent**
Strempack et al.

(10) **Patent No.:** **US D777,258 S**

(45) **Date of Patent:** **** Jan. 24, 2017**

(54) **VEHICLE TOP ADVERTISEMENT DISPLAY**

(71) Applicants: **Guy Thomas Strempack**, Fort
Lauderdale, FL (US); **Ramon Esquivel**,
Miami, FL (US)

(72) Inventors: **Guy Thomas Strempack**, Fort
Lauderdale, FL (US); **Ramon Esquivel**,
Miami, FL (US)

(**) Term: **15 Years**

(21) Appl. No.: **29/527,611**

(22) Filed: **May 20, 2015**

(51) **LOC (10) Cl.** **20-03**

(52) **U.S. Cl.**
USPC **D20/10**

(58) **Field of Classification Search**
USPC D20/10, 19, 36, 42, 99; D10/109.1,
D10/113.4; D26/31
CPC G09F 5/00; G09F 7/00; G09F 13/00;
G09F 15/00; G09F 15/0025; G09F 21/00
See application file for complete search history.

(56) **References Cited**

U.S. PATENT DOCUMENTS

D433,713 S * 11/2000 Olivetti D20/10
D647,970 S * 11/2011 Strempack D20/10

D657,421 S * 4/2012 Yan D20/10
D669,938 S * 10/2012 Lard D20/10
D744,040 S * 11/2015 Schloss D20/10
D751,648 S * 3/2016 Gongola D20/41
2014/0290104 A1* 10/2014 Lindblom G09F 15/0025
40/559

* cited by examiner

Primary Examiner — Mary Ann Calabrese

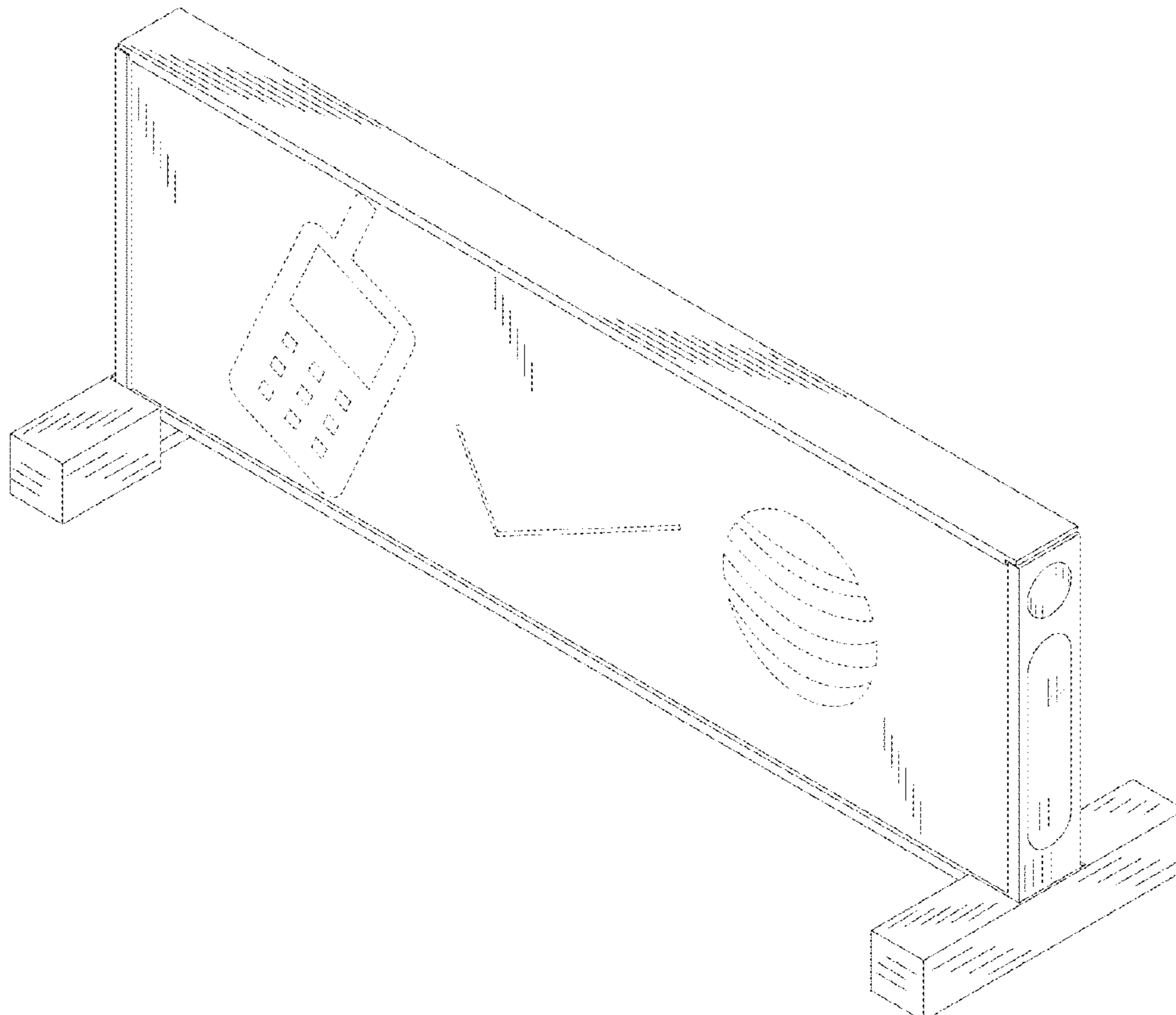
(57) **CLAIM**

The ornamental design of a vehicle top advertisement display, as shown and described.

DESCRIPTION

FIG. 1 is a top perspective view of a vehicle top advertisement display;
FIG. 2 is a front elevational view thereof;
FIG. 3 is a rear elevational view thereof;
FIG. 4 is a left elevational view thereof;
FIG. 5 is a right elevational view thereof;
FIG. 6 is a top plan view thereof;
FIG. 7 is a bottom plan view thereof; and,
FIG. 8 is a bottom perspective view thereof.
The broken lines showing advertisement graphics in FIGS. 1-3 and 8 are included for the purpose of illustrating environmental structure and forms no part of the claimed design.

1 Claim, 8 Drawing Sheets



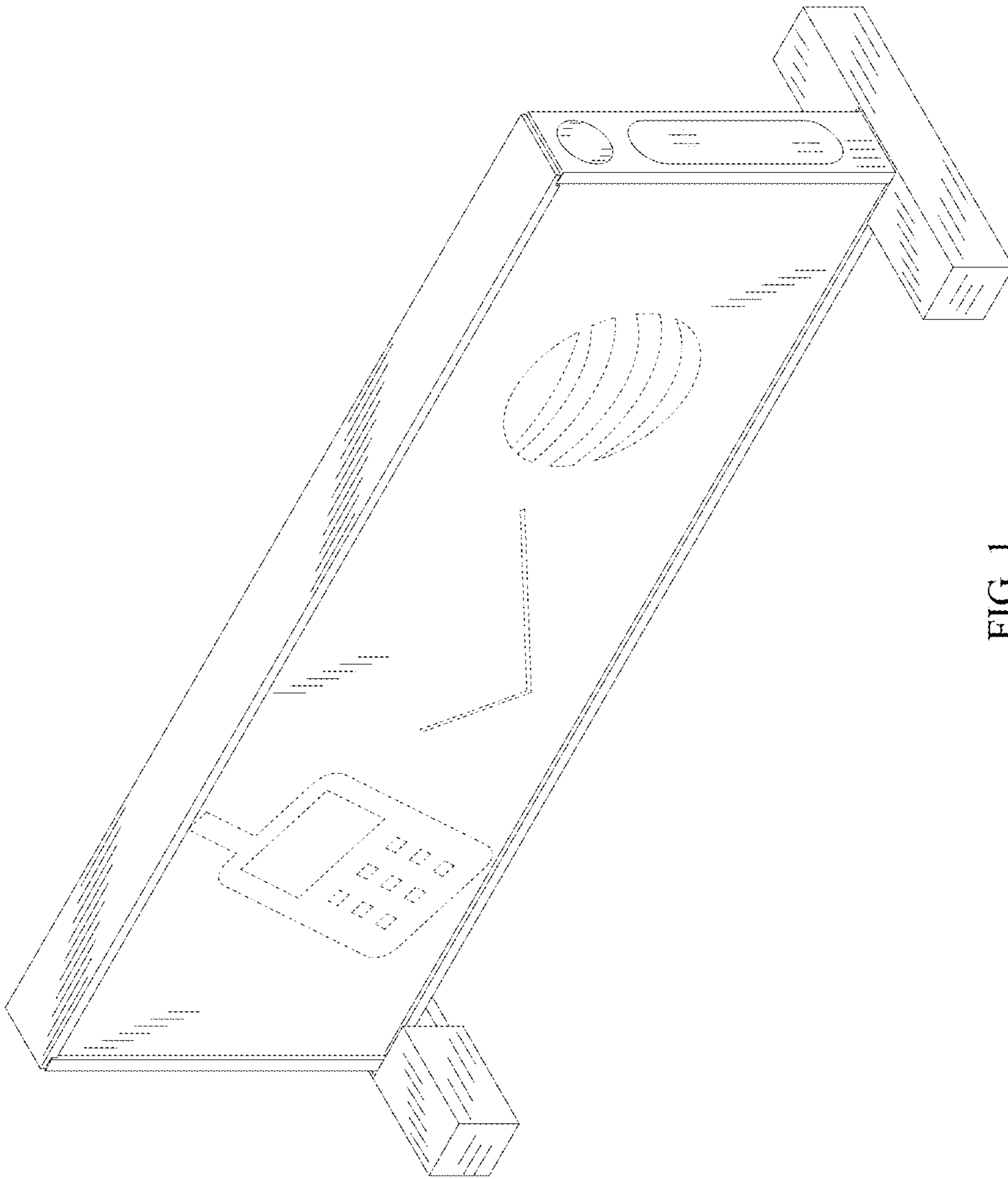


FIG. 1

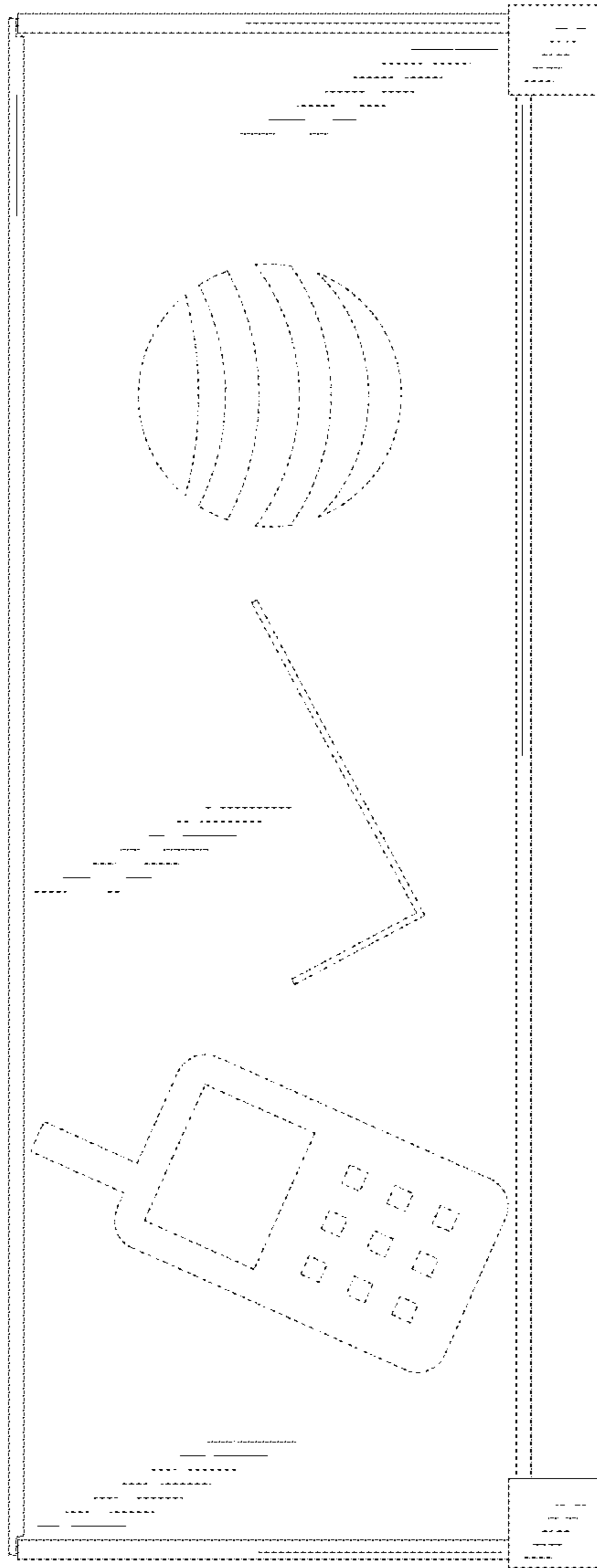


FIG. 2

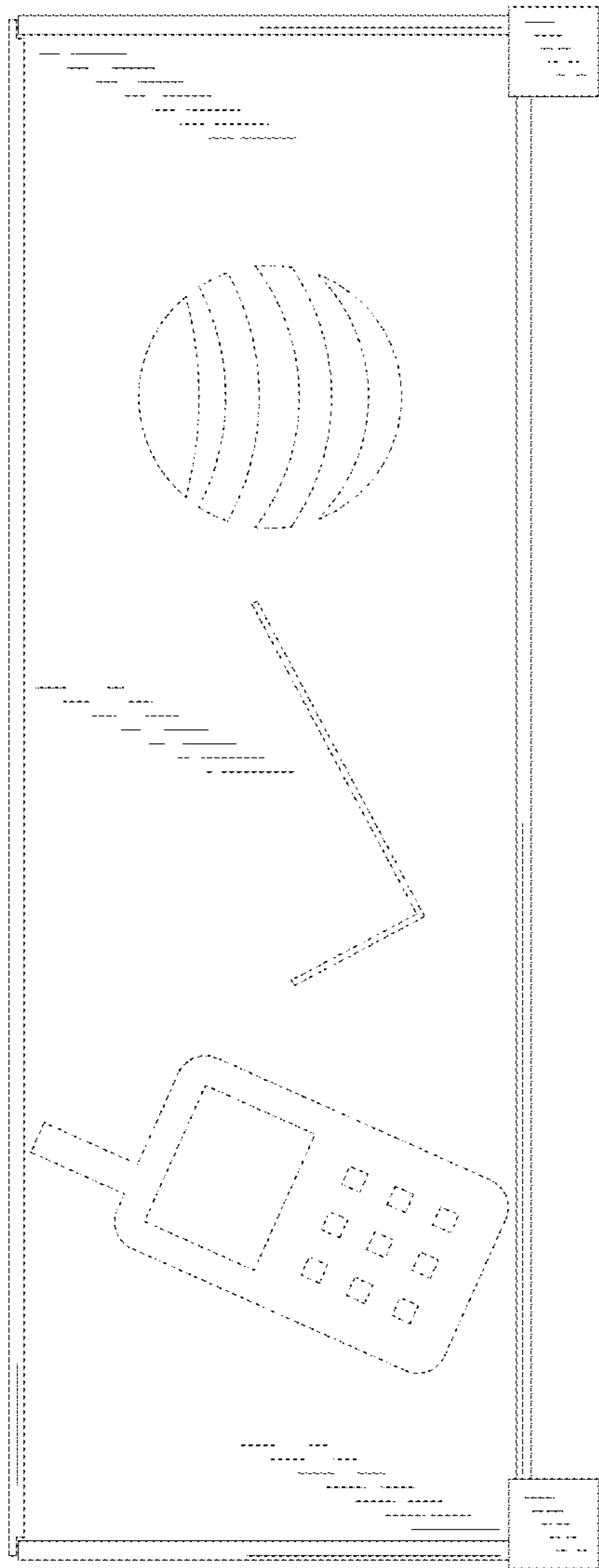


FIG. 3

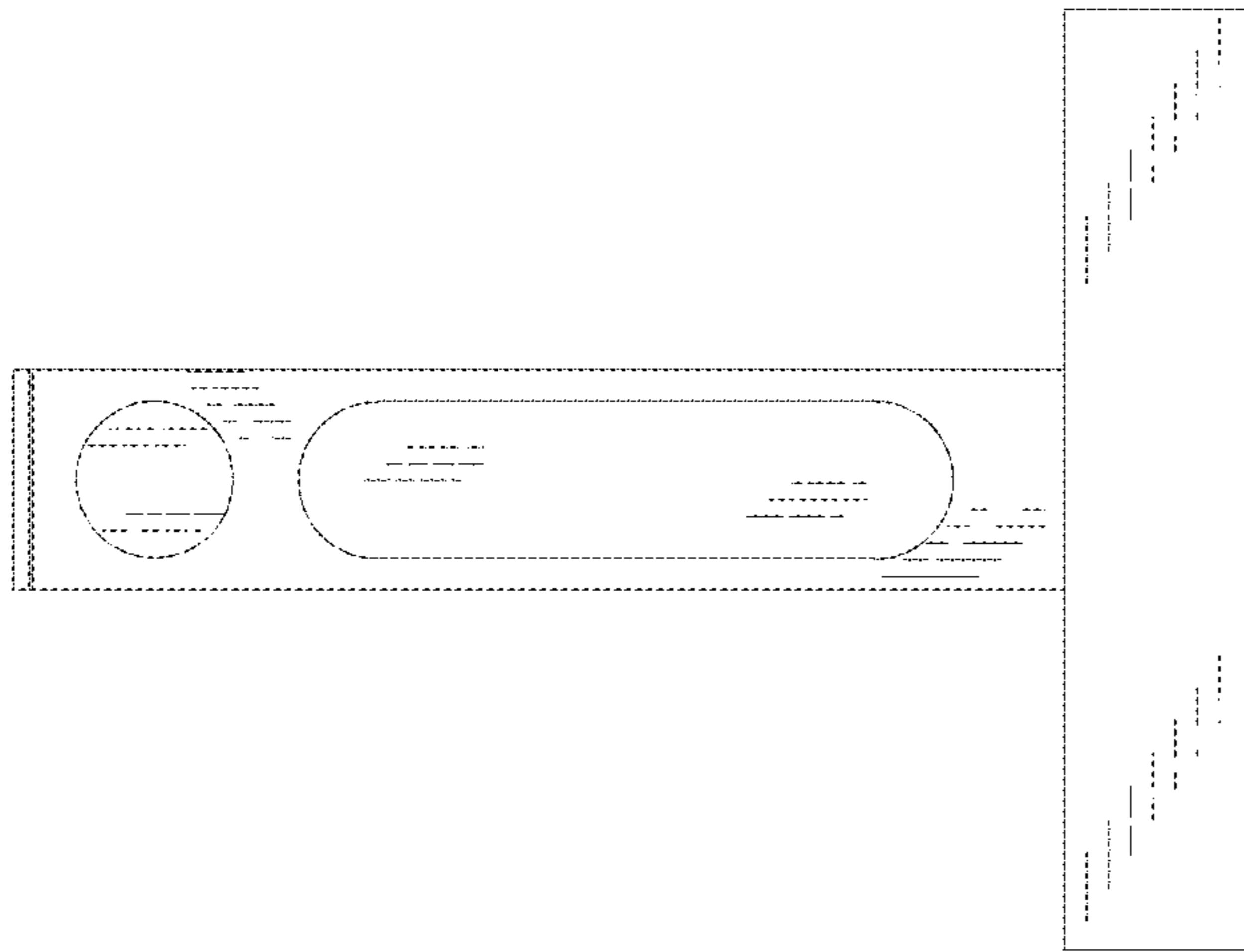


FIG. 4

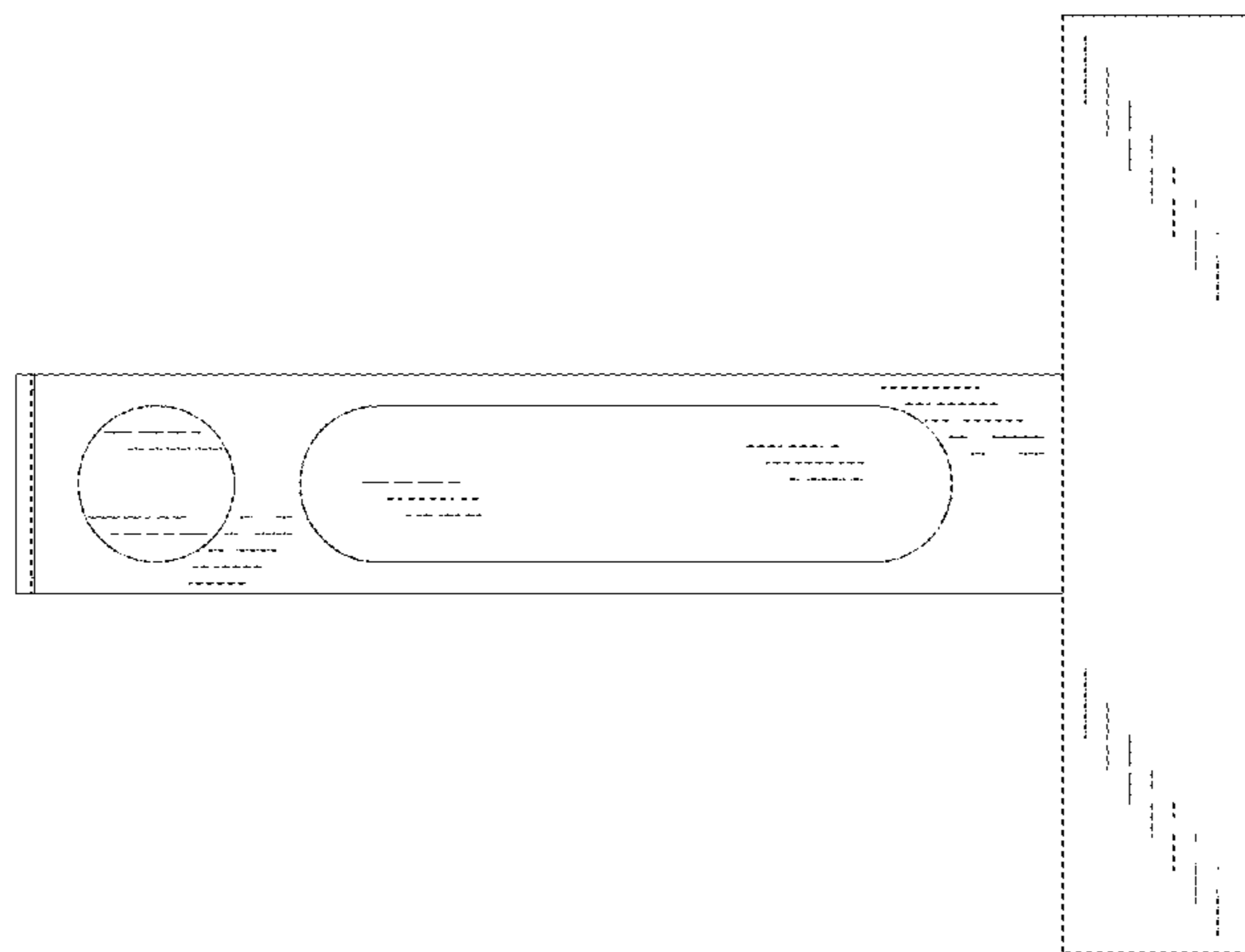


FIG. 5

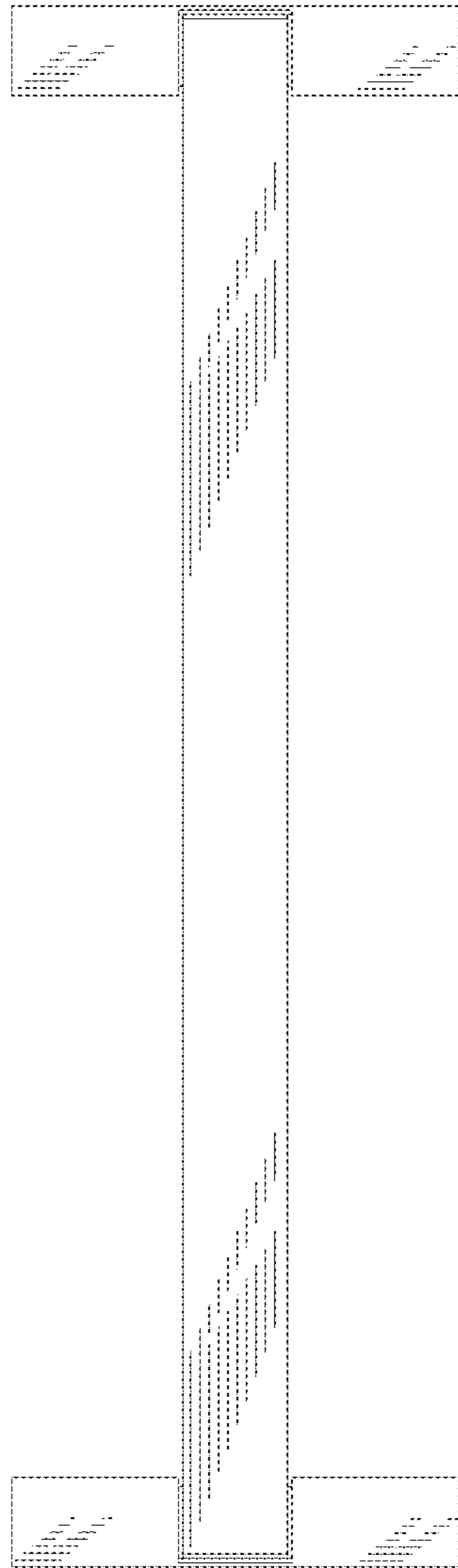


FIG. 6

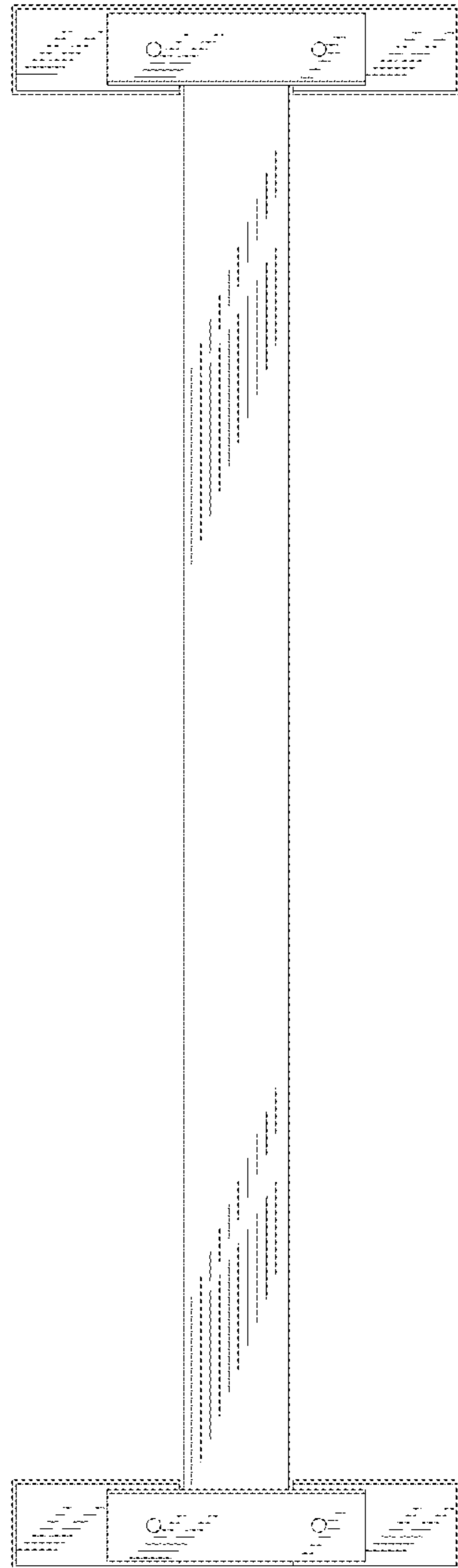


FIG. 7

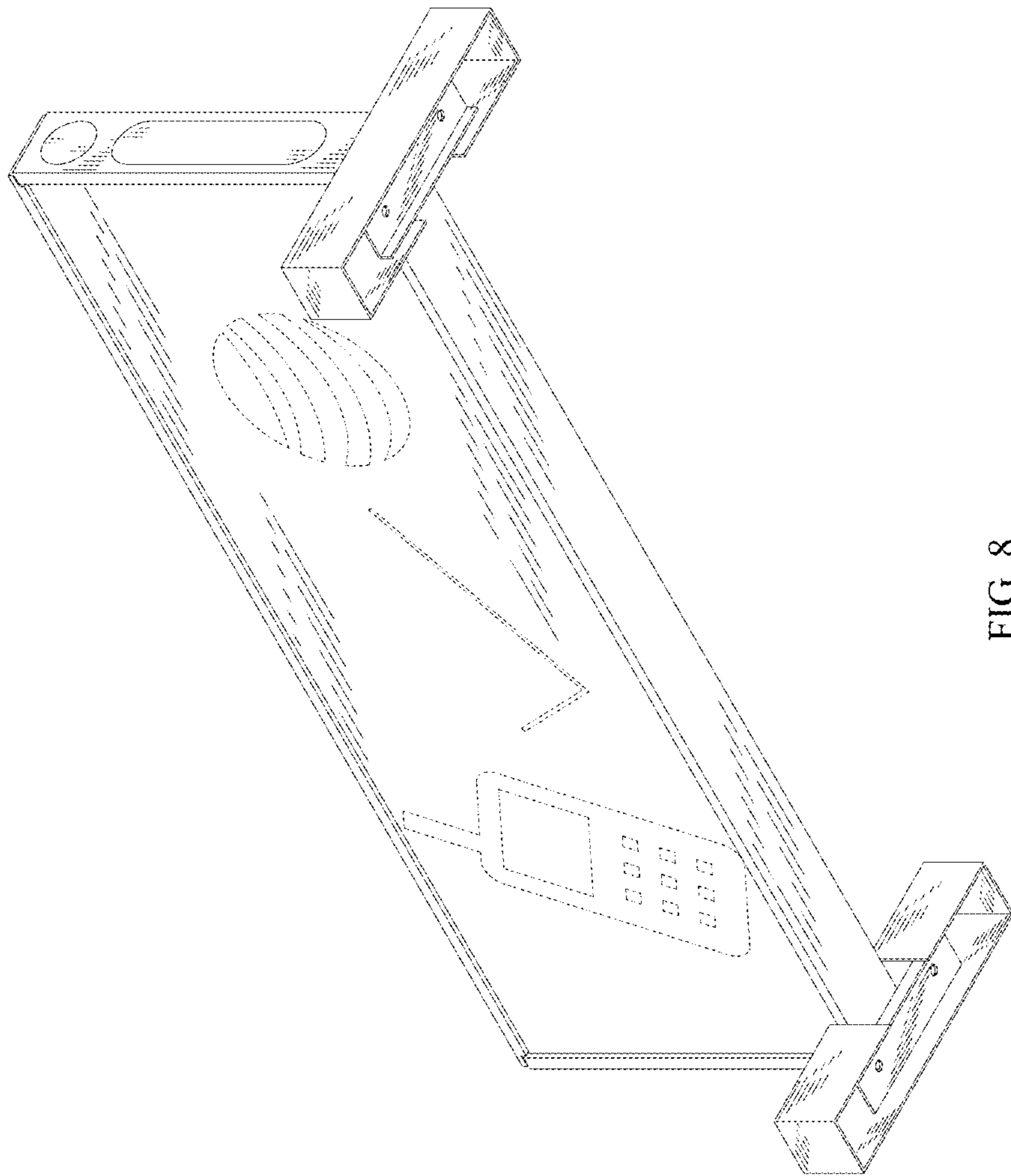


FIG. 8