



US00D777256S

(12) **United States Design Patent**
Shimizu

(10) **Patent No.:** **US D777,256 S**

(45) **Date of Patent:** **** Jan. 24, 2017**

(54) **MECHANICAL PENCIL**

(71) Applicant: **PENTEL KABUSHIKI KAISHA,**
Tokyo (JP)

(72) Inventor: **Kazuhisa Shimizu,** Tokyo (JP)

(73) Assignee: **PENTEL KABUSHIKI KAISHA (JP)**

(**) Term: **15 Years**

(21) Appl. No.: **29/534,500**

(22) Filed: **Jul. 29, 2015**

(30) **Foreign Application Priority Data**

Jan. 30, 2015 (JP) 2015-001753

(51) **LOC (10) Cl.** **19-06**

(52) **U.S. Cl.**
USPC **D19/174; D19/916; D19/918**

(58) **Field of Classification Search**
USPC D14/411; D19/115-204
CPC B43K 5/00; B43K 7/00; B43K 7/10;
B43K 7/12; B43K 8/04; B43K
19/00; B43K 19/02; B43K 19/14
See application file for complete search history.

(56) **References Cited**

U.S. PATENT DOCUMENTS

D147,107 S * 7/1947 Breitenstein D19/168
D269,189 S * 5/1983 Sakaoka D19/173
D351,416 S * 10/1994 Oka D19/171
D385,915 S * 11/1997 Shimizu D19/170

D403,704 S * 1/1999 Arita D19/169
D404,765 S * 1/1999 Izushima D19/173
D421,053 S * 2/2000 Izushima D19/176
D489,089 S * 4/2004 Losel D19/174
D509,852 S * 9/2005 Anand D19/174
D512,457 S * 12/2005 Anand D19/174
D538,854 S * 3/2007 Nakazawa D19/174
D539,844 S * 4/2007 Kiple D19/117
D548,788 S * 8/2007 Anand D19/172
D656,991 S * 4/2012 Losel D19/172
D667,881 S * 9/2012 Li D19/176
D672,815 S * 12/2012 Li D19/176
D698,390 S * 1/2014 Shimizu D19/916
D740,363 S * 10/2015 Boisdevesys D19/171

* cited by examiner

Primary Examiner — Elizabeth Albert

(74) *Attorney, Agent, or Firm* — Adams & Wilks

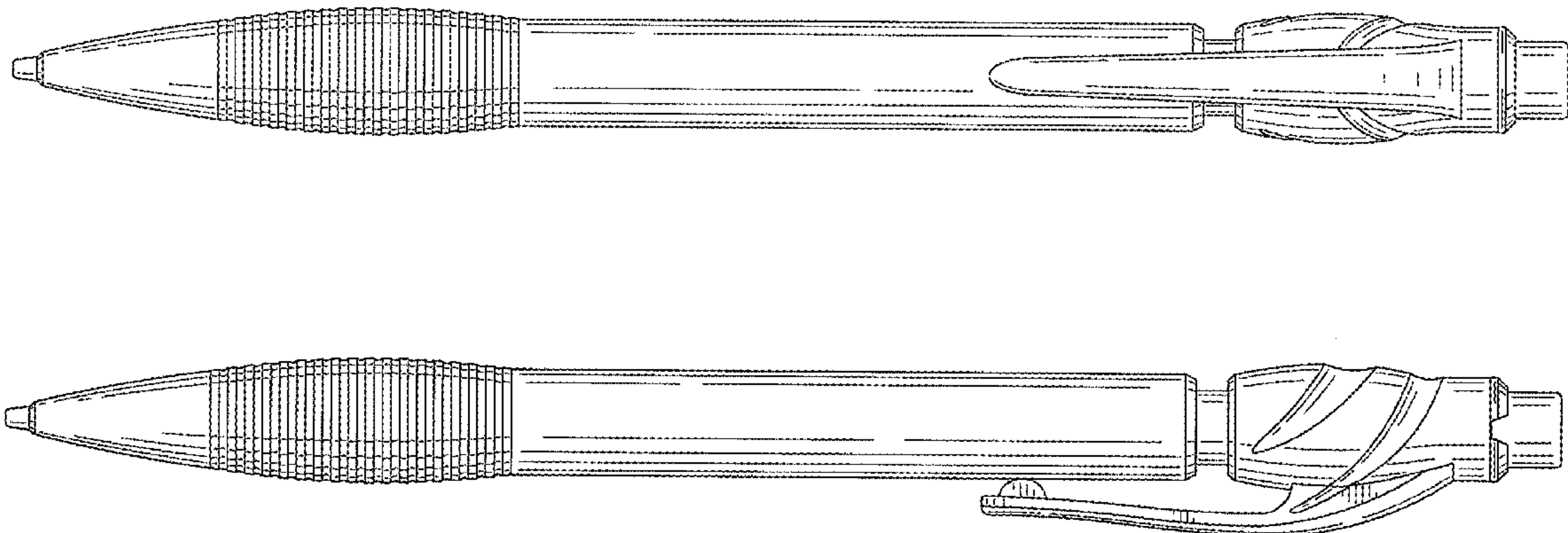
(57) **CLAIM**

The ornamental design for a mechanical pencil, as shown and described.

DESCRIPTION

FIG. 1 is a perspective view of a mechanical pencil showing my new design;
FIG. 2 is a front view thereof;
FIG. 3 is a back view thereof;
FIG. 4 is a top view thereof;
FIG. 5 is a bottom view thereof;
FIG. 6 is a left side view thereof;
FIG. 7 is a right side view thereof; and,
FIG. 8 is an enlarged left side view thereof.

1 Claim, 4 Drawing Sheets



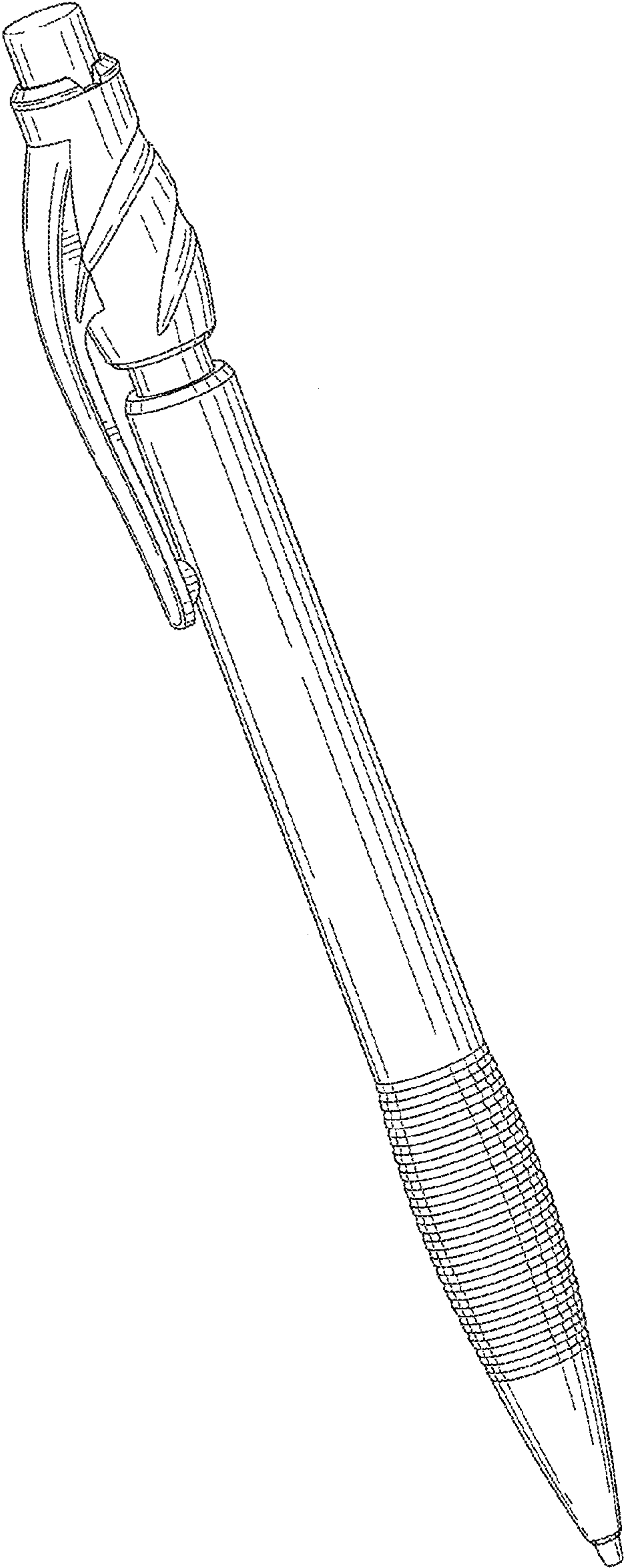


FIG. 1

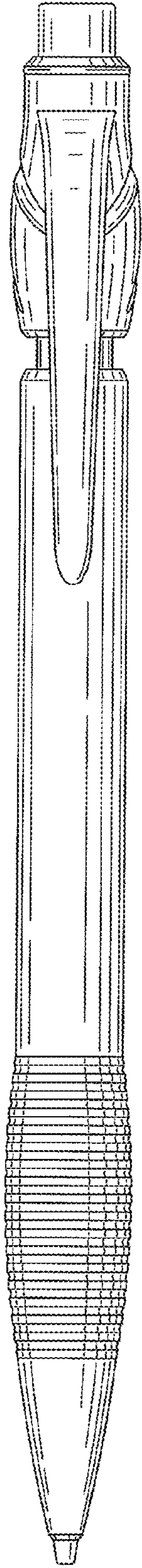


FIG. 2

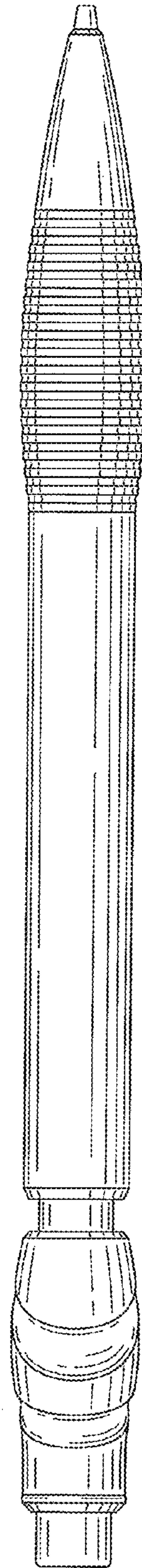


FIG. 3

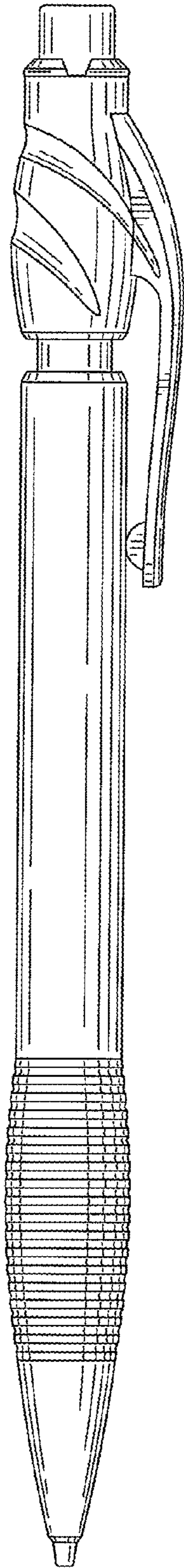


FIG. 4

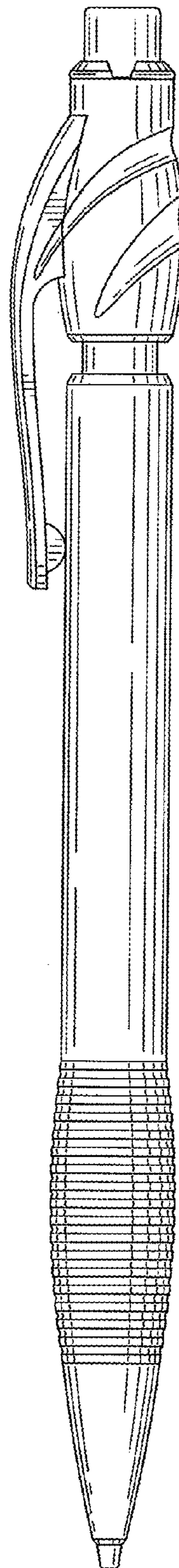


FIG. 5

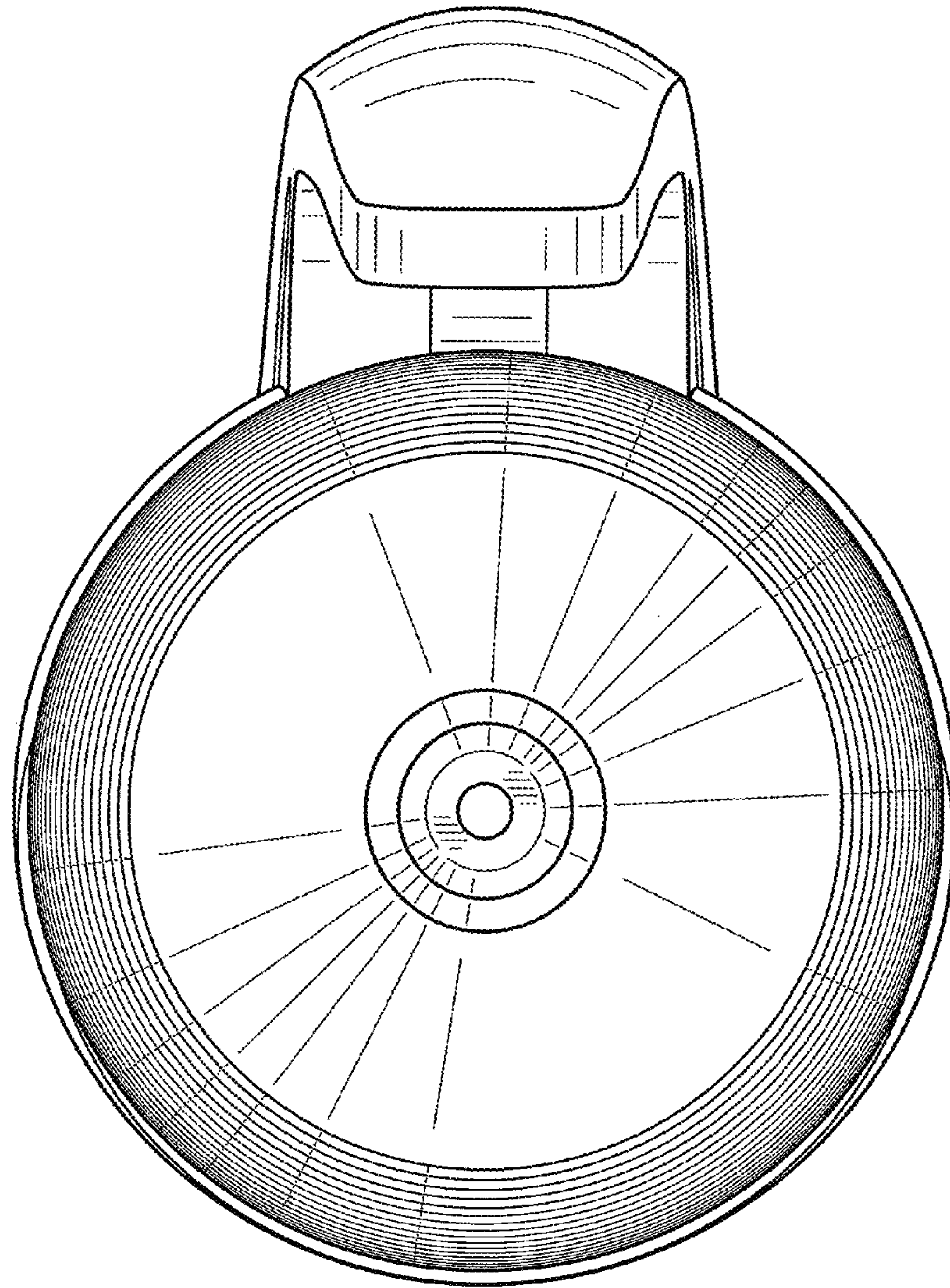


FIG. 8

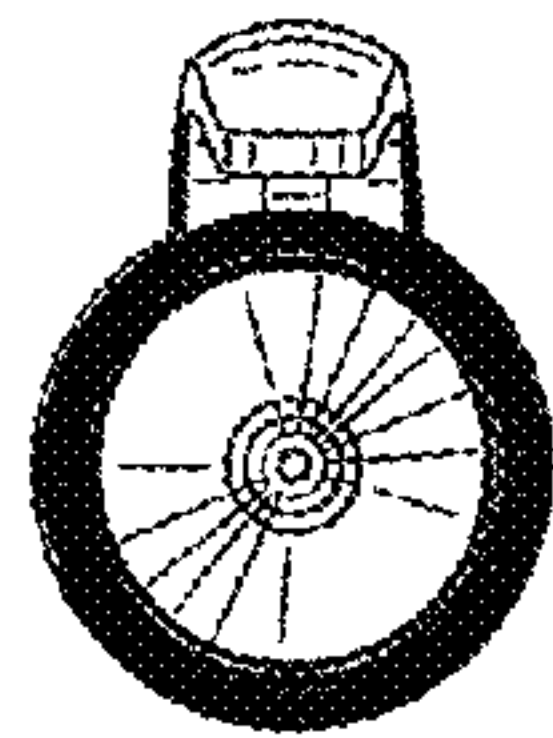


FIG. 6

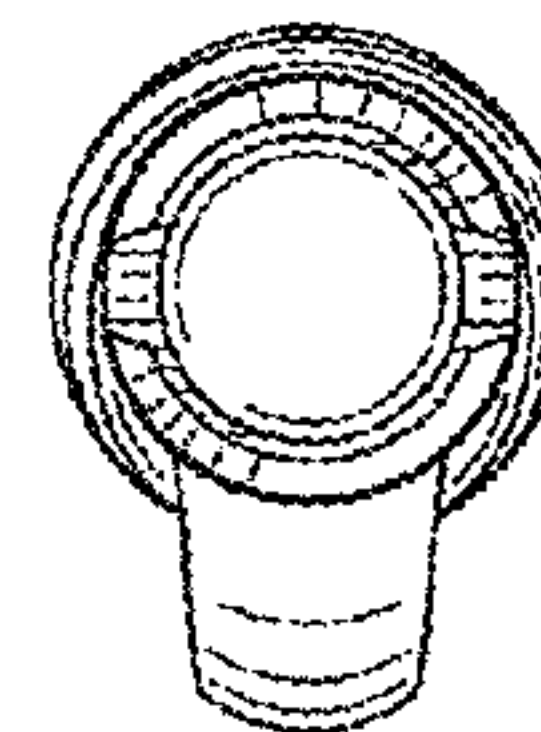


FIG. 7