



US00D777250S

(12) **United States Design Patent** (10) **Patent No.:** **US D777,250 S**  
**Wada et al.** (45) **Date of Patent:** **\*\* Jan. 24, 2017**

- (54) **ROM CHIP ATTACHMENT OF AN INK BOTTLE** D482,390 S 11/2003 Ueno et al.  
D484,530 S 12/2003 Sugata et al.  
D490,315 S 5/2004 Kiser  
(71) Applicant: **Keyence Corporation**, Osaka (JP) 6,742,872 B2\* 6/2004 Fukazawa ..... B41J 2/1753 347/50  
(72) Inventors: **Hiroki Wada**, Osaka (JP); **Junji Ogawa**, Osaka (JP) 6,843,558 B2 1/2005 Seino  
6,848,775 B2 2/2005 Ishizawa et al.  
D509,242 S 9/2005 Muranaka  
D541,847 S 5/2007 Katsuyama  
D546,876 S 7/2007 Muranaka  
D551,289 S 9/2007 Otsuka et al.  
(73) Assignee: **Keyence Corporation**, Osaka (JP) 7,328,974 B2\* 2/2008 Wang ..... B41J 2/17513 348/87  
(\*\*) Term: **14 Years**  
(21) Appl. No.: **29/513,687** D566,547 S 4/2008 Lacov  
D572,751 S 7/2008 Morino  
(22) Filed: **Jan. 5, 2015** (Continued)

**Related U.S. Application Data**

- (62) Division of application No. 29/476,395, filed on Dec. 13, 2013, now Pat. No. Des. 722,642.  
(51) **LOC (10) Cl.** ..... **18-02**  
(52) **U.S. Cl.**  
USPC ..... **D18/56**  
(58) **Field of Classification Search**  
USPC ..... D18/12, 40, 43, 56; D14/471, 484  
CPC ..... B41J 2/17513; B41J 15/042; B41J 25/316;  
B41J 2/1753; G03G 15/0837; G03G  
15/0839; G03G 15/0896; G03G 21/1853;  
G11B 23/08735; B65D 1/32  
See application file for complete search history.

**References Cited**

**U.S. PATENT DOCUMENTS**

- 3,727,803 A 4/1973 Cobb  
D358,295 S 5/1995 Moench  
D447,561 S 9/2001 Rudzena et al.  
D448,077 S 9/2001 Rudzena et al.  
D449,532 S 10/2001 Modjeski  
D451,542 S 12/2001 Ishizawa et al.

*Primary Examiner* — Cathy Anne MacCormac  
(74) *Attorney, Agent, or Firm* — Kilyk & Bowersox,  
P.L.L.C.

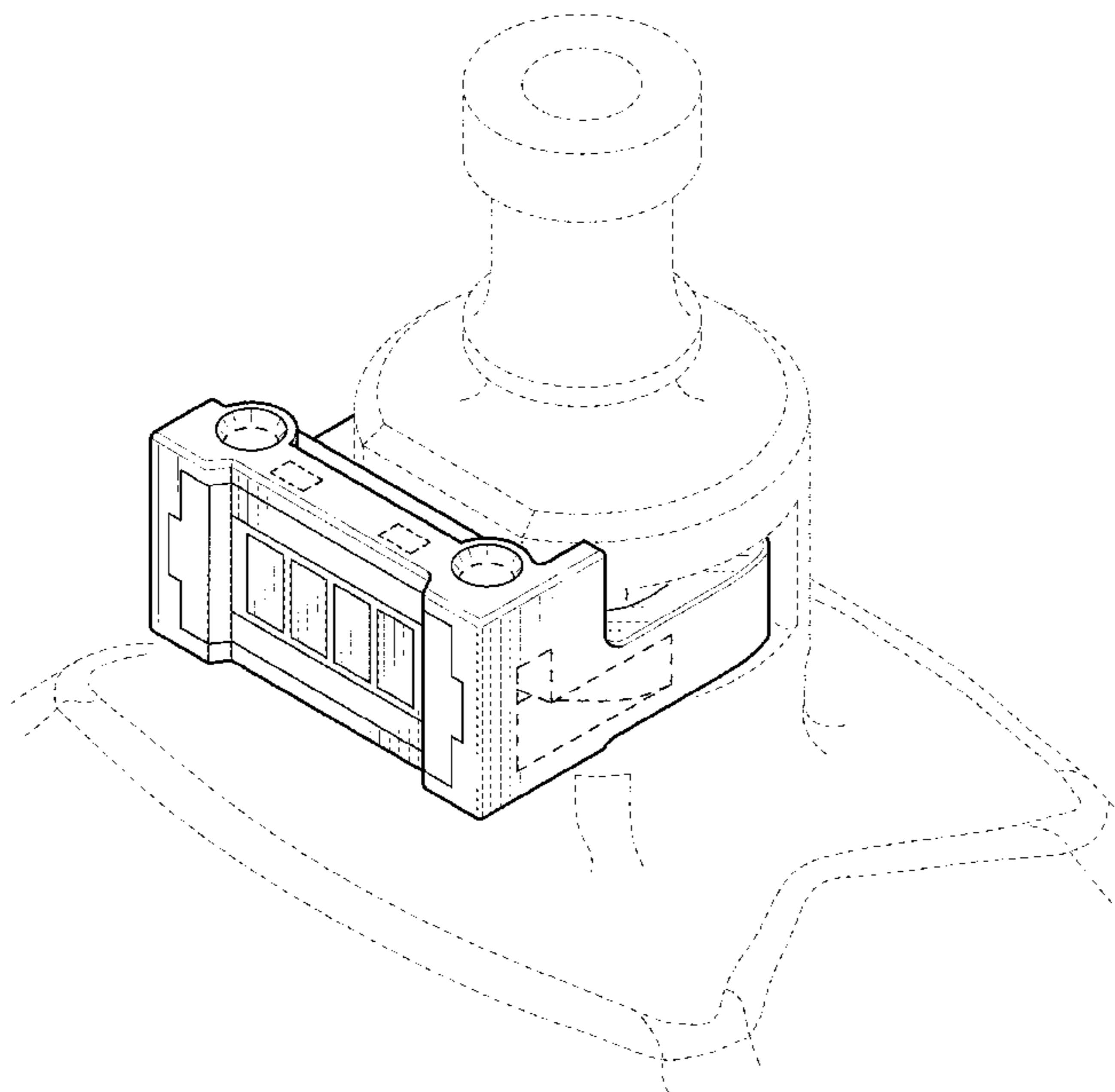
(57) **CLAIM**

The ornamental design for rom chip attachment of an ink bottle, thereof as shown and described.

**DESCRIPTION**

FIG. 1 is a front, top, and right side perspective view of a rom chip attachment of an ink bottle showing our new design;  
FIG. 2 is an enlarged perspective view of FIG. 1;  
FIG. 3 is an enlarged front view of FIG. 1;  
FIG. 4 is an enlarged rear view of FIG. 1;  
FIG. 5 is an enlarged top view of FIG. 1;  
FIG. 6 is an enlarged bottom view of FIG. 1;  
FIG. 7 is an enlarged right side view of FIG. 1; and,  
FIG. 8 is an enlarged left side view of FIG. 1.  
The broken lines depict environmental subject matter and form no part of the claimed design.

**1 Claim, 7 Drawing Sheets**



(56)

**References Cited**

U.S. PATENT DOCUMENTS

D591,336	S	4/2009	Kurenuma et al.	
7,577,379	B2	8/2009	Kita et al.	
D600,743	S	9/2009	Yoshizawa	
D602,519	S	10/2009	Kurenuma et al.	
D602,984	S	10/2009	Yoshizawa	
D617,376	S	6/2010	Lecheheb et al.	
7,826,777	B2	11/2010	Taguchi et al.	
D636,436	S	4/2011	Takami	
D636,813	S	4/2011	Kikuchi et al.	
8,007,086	B2 *	8/2011	Aoki .....	B41J 2/17513 347/86
D653,702	S	2/2012	Amberg et al.	
D655,748	S	3/2012	Takami	
D667,047	S	9/2012	Oshikawa et al.	
8,267,495	B2 *	9/2012	Nozawa .....	B41J 2/17513 347/86
8,353,583	B2	1/2013	Kimura	
8,608,284	B2 *	12/2013	Aoki .....	B41J 2/17513 347/50
8,616,687	B2 *	12/2013	Takagi .....	B41J 2/1753 347/86
D723,938	S *	3/2015	Karasawa .....	D18/56
9,085,166	B1 *	7/2015	Takagiwa .....	B41J 2/17513
9,132,652	B2 *	9/2015	Ishizawa .....	B41J 2/17513
9,132,653	B2 *	9/2015	Takagi .....	B41J 2/1753
9,233,546	B2 *	1/2016	Oya .....	B41J 2/1753
D750,971	S *	3/2016	Takagiwa .....	D18/56
2006/0099012	A1	5/2006	Kita et al.	

\* cited by examiner

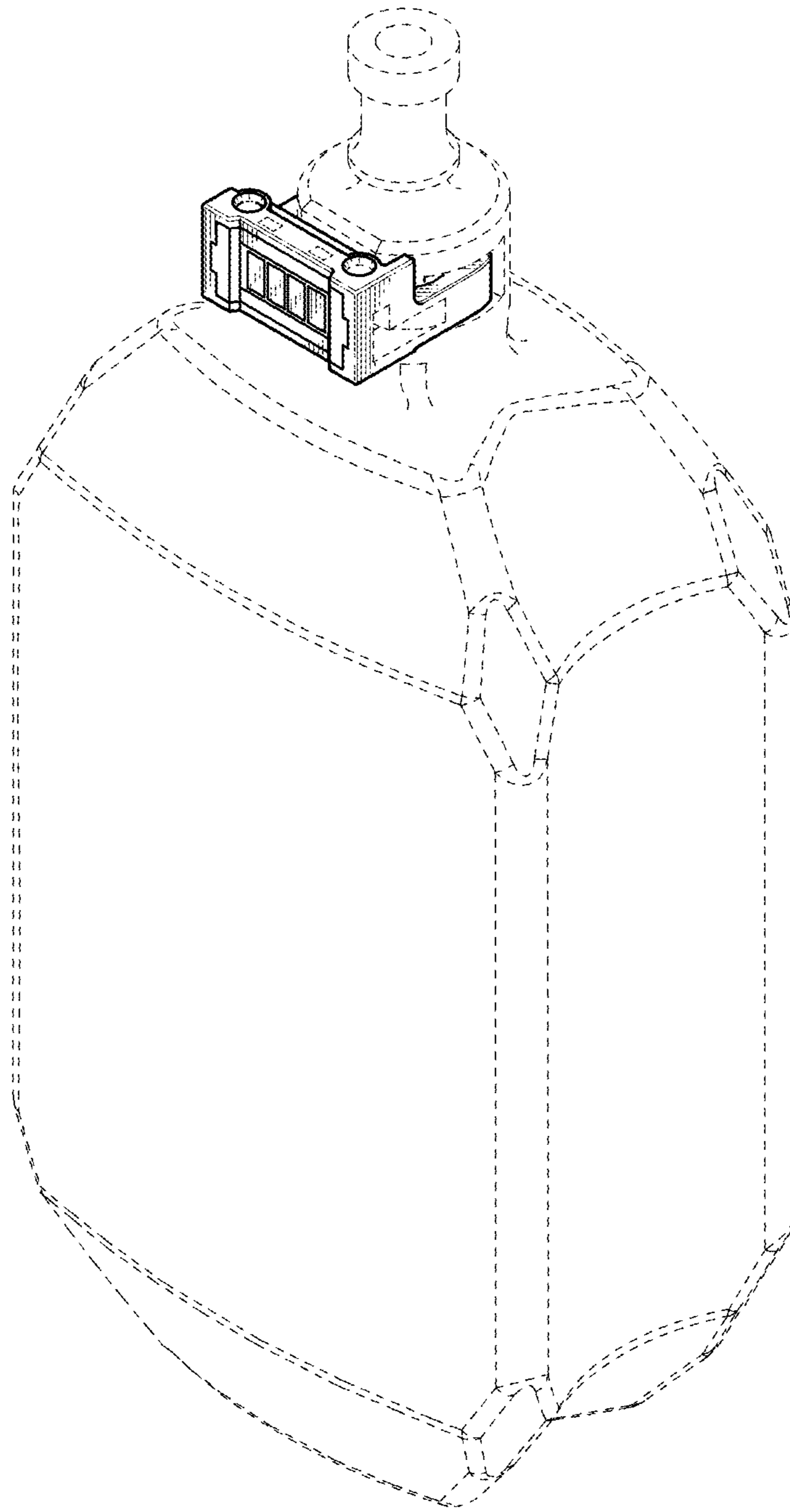


FIG. 1

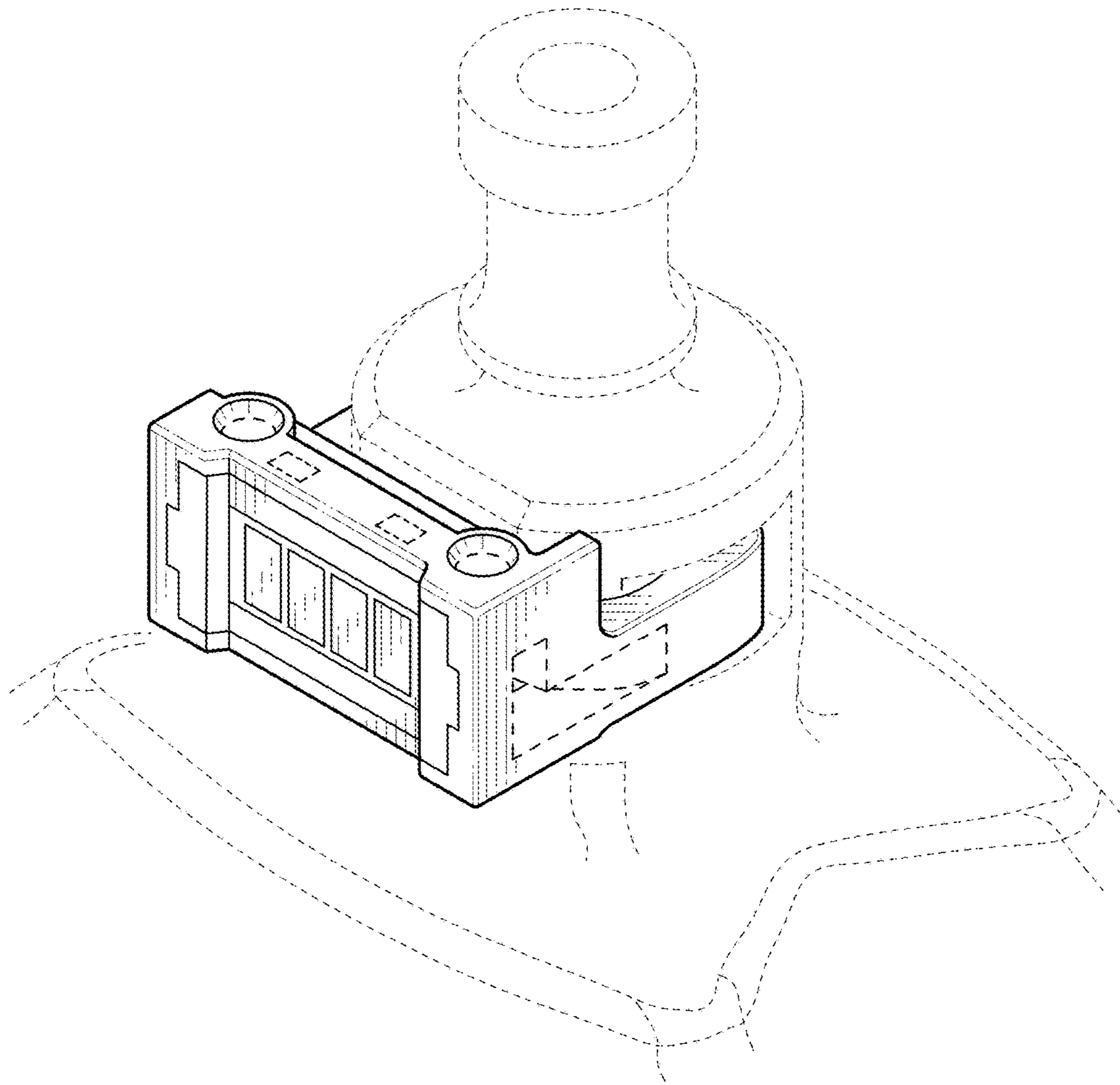


FIG. 2

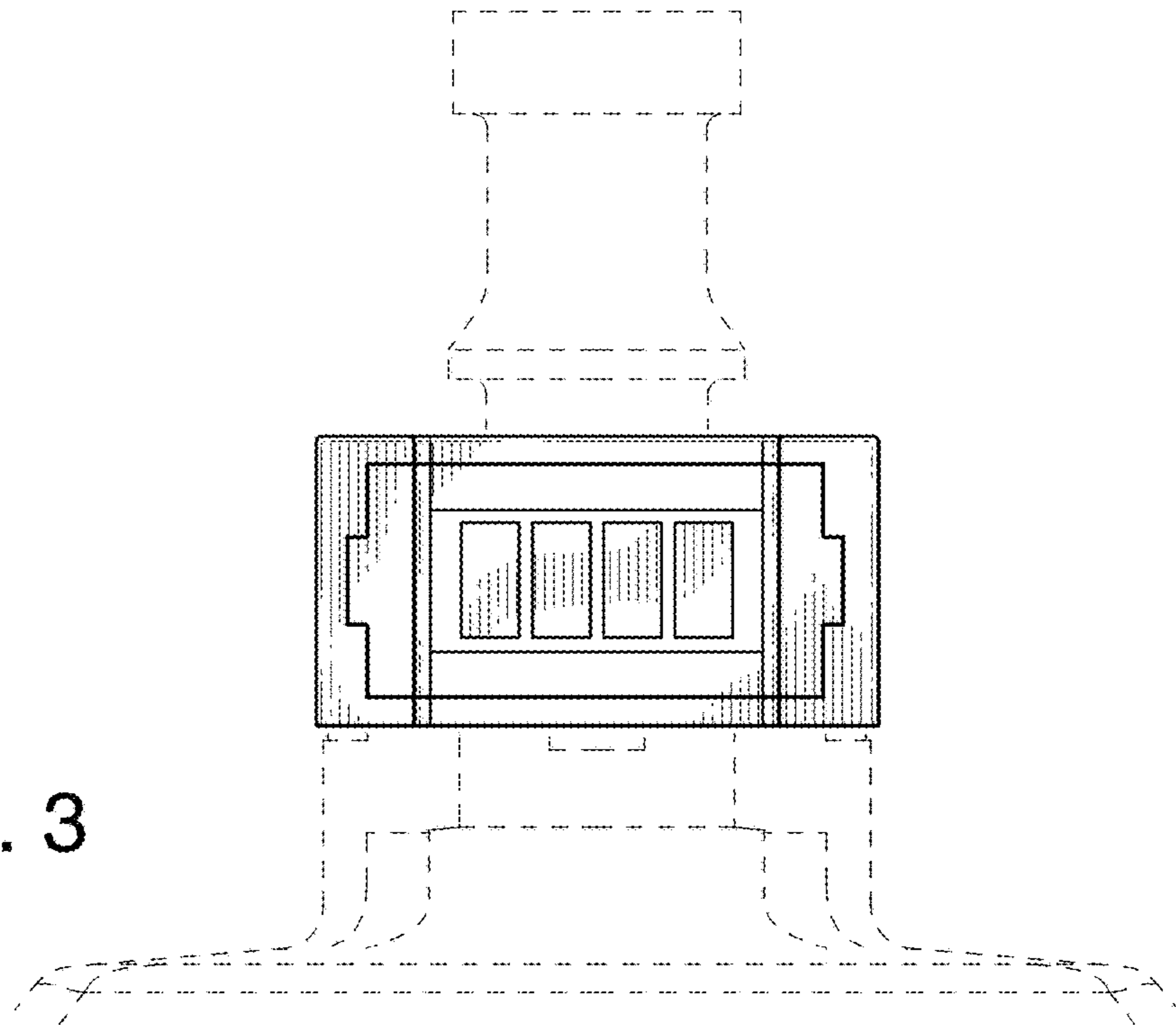


FIG. 3

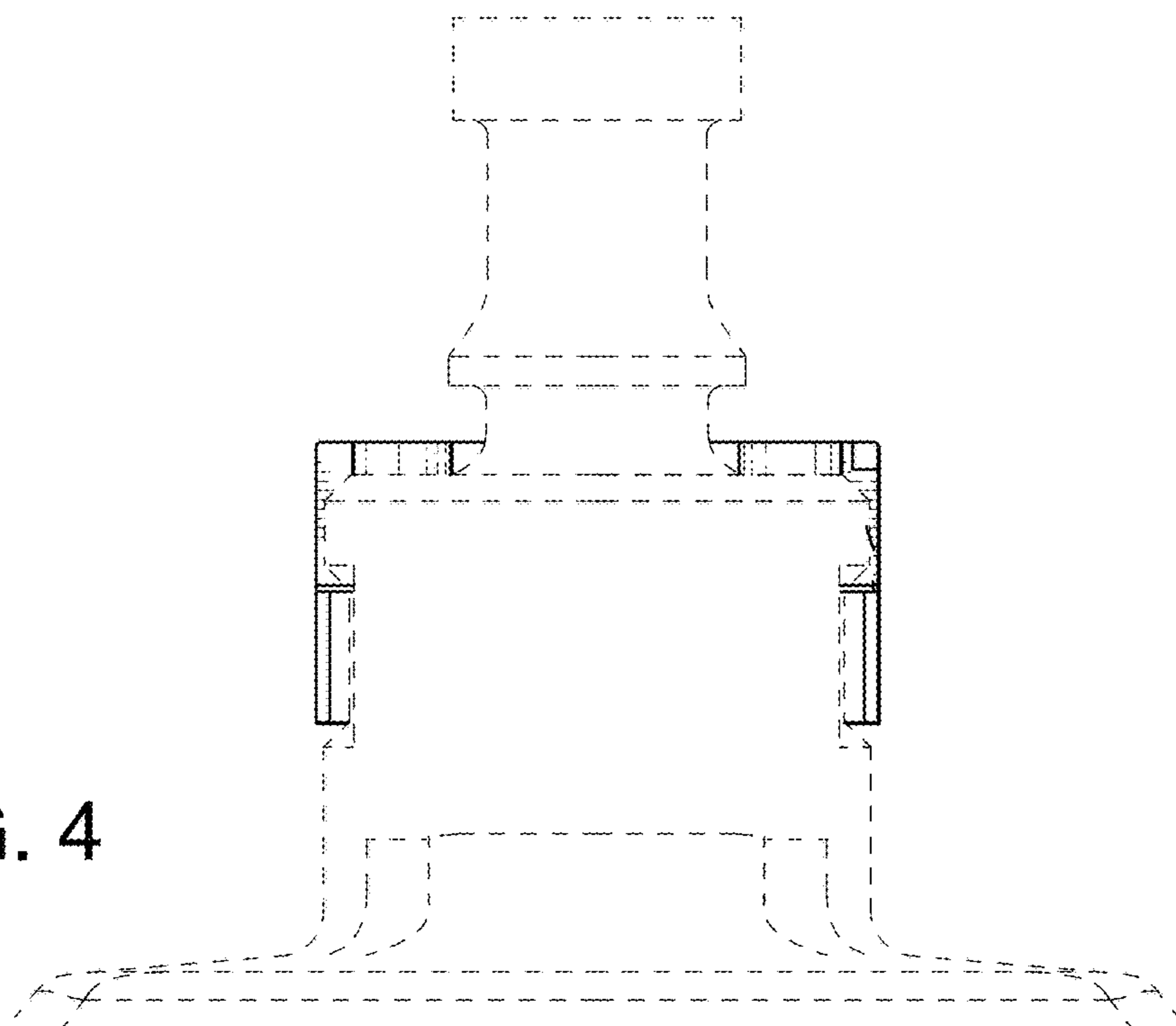


FIG. 4

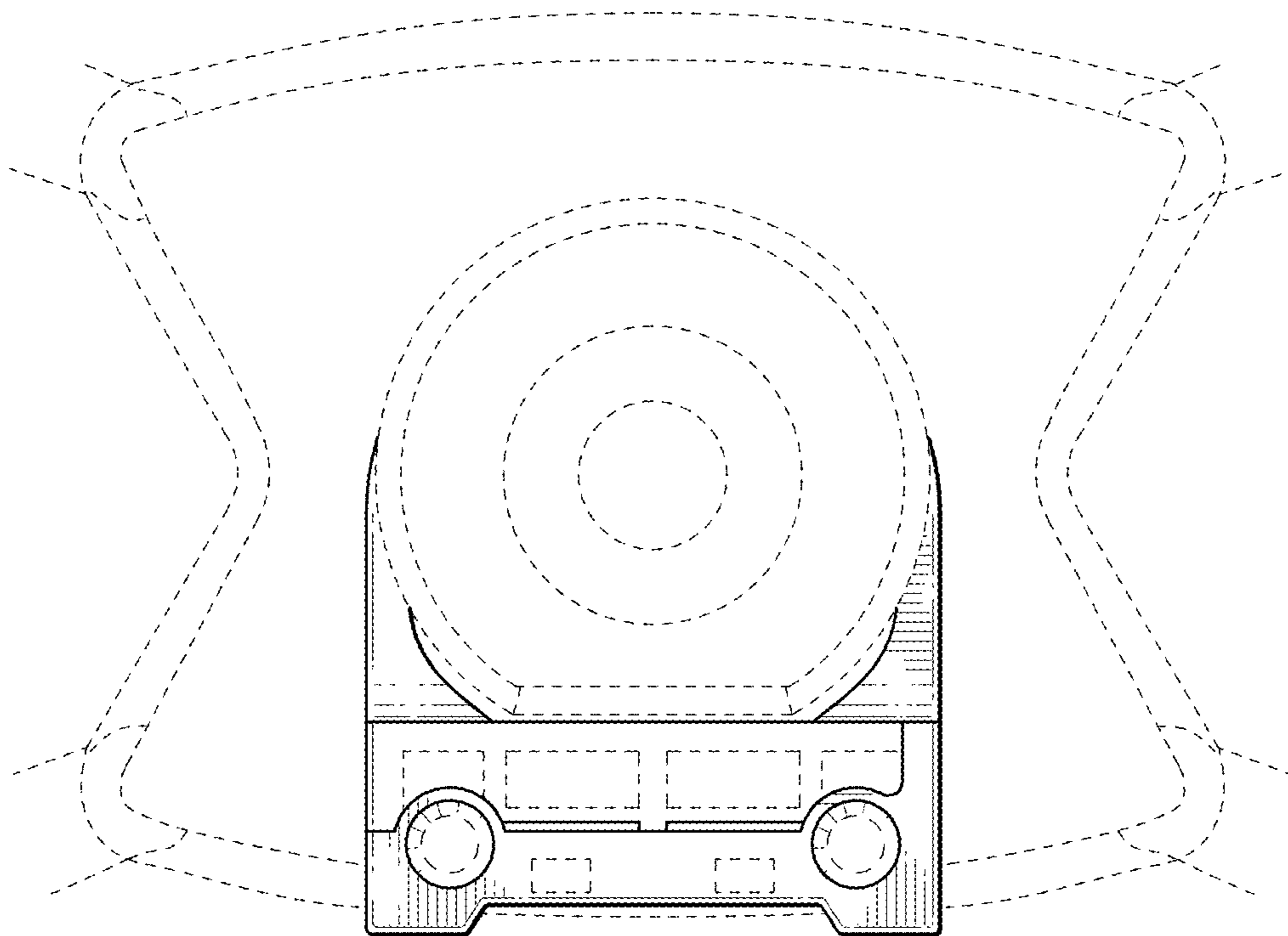


FIG. 5

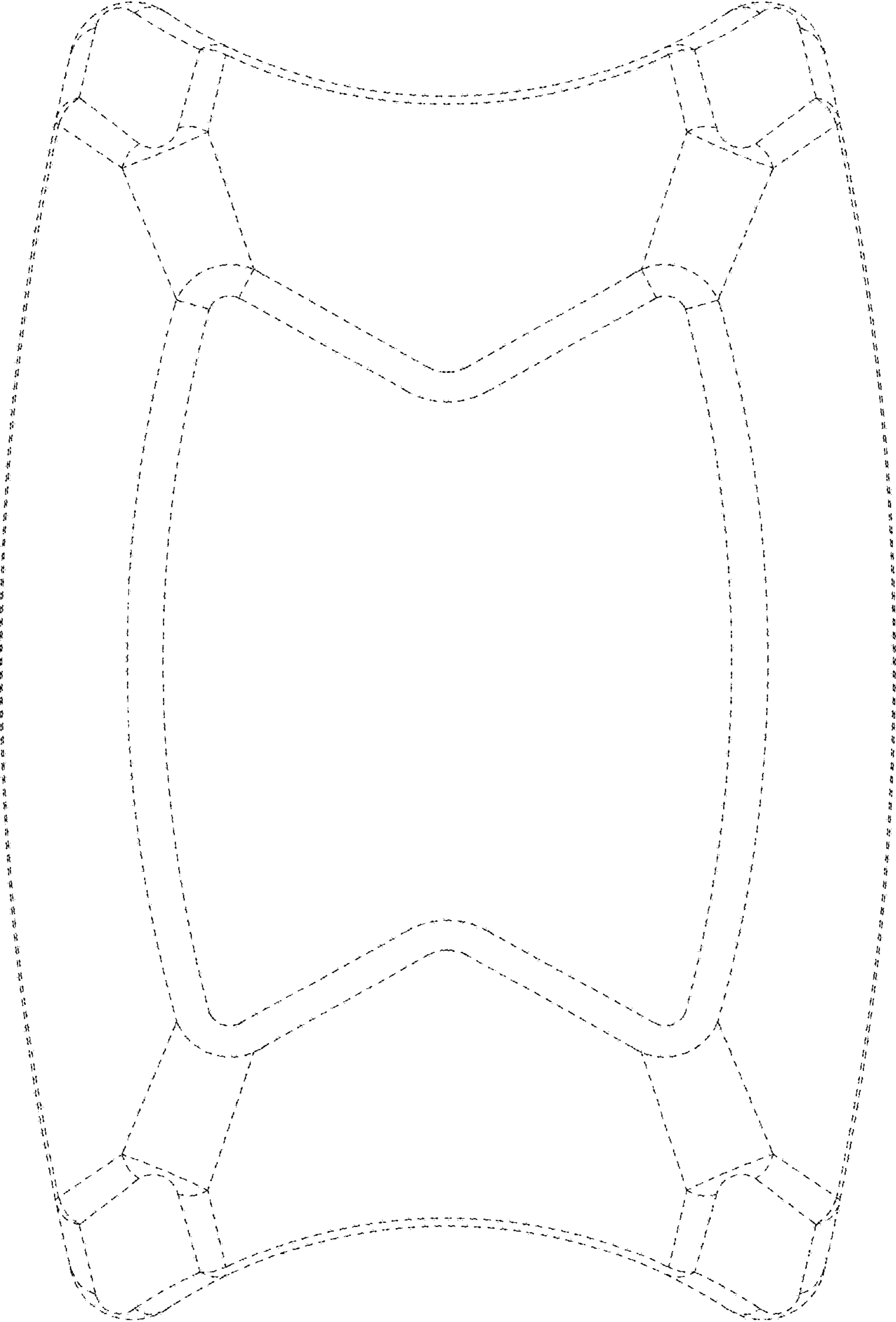


FIG. 6

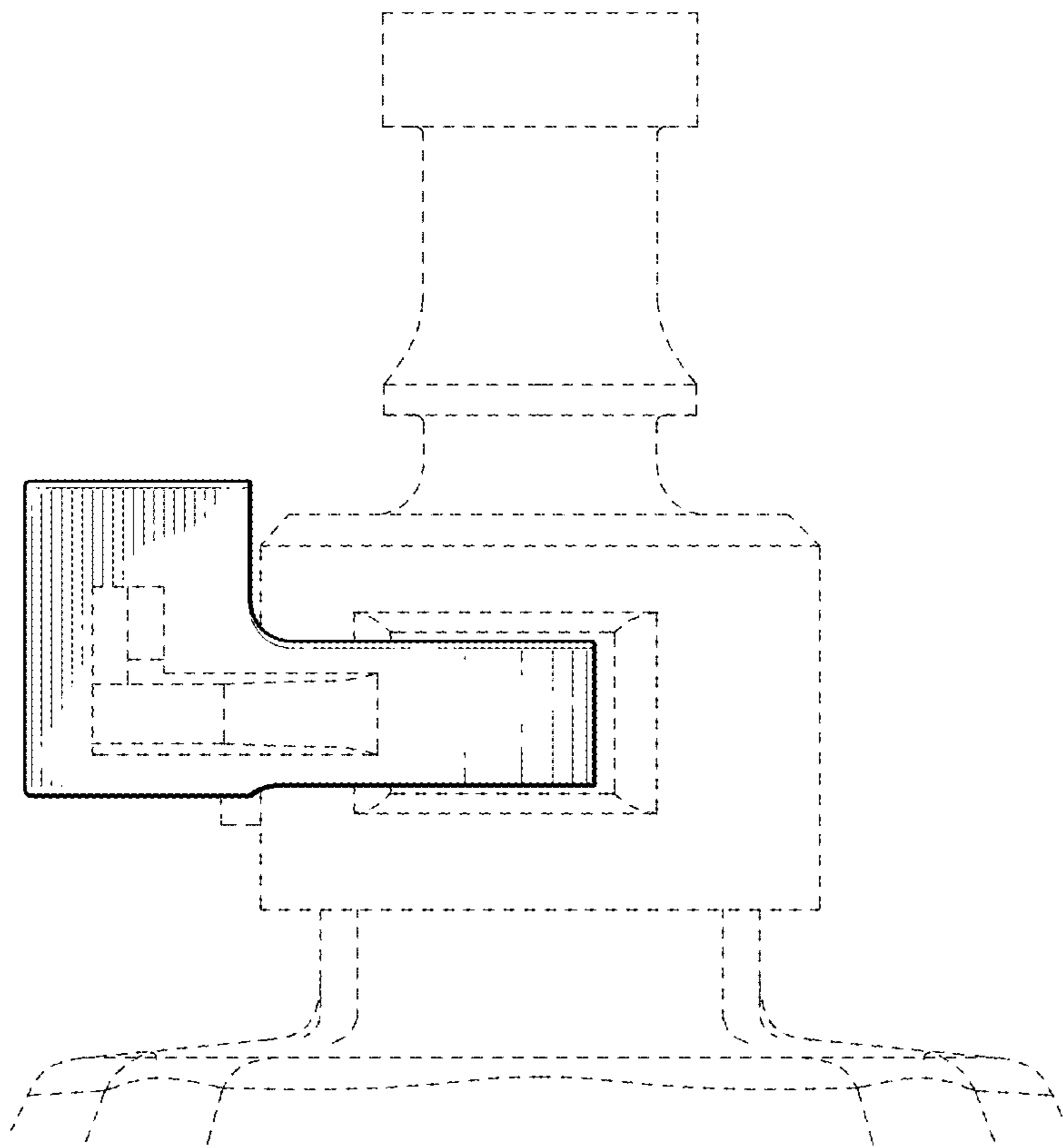


FIG. 7



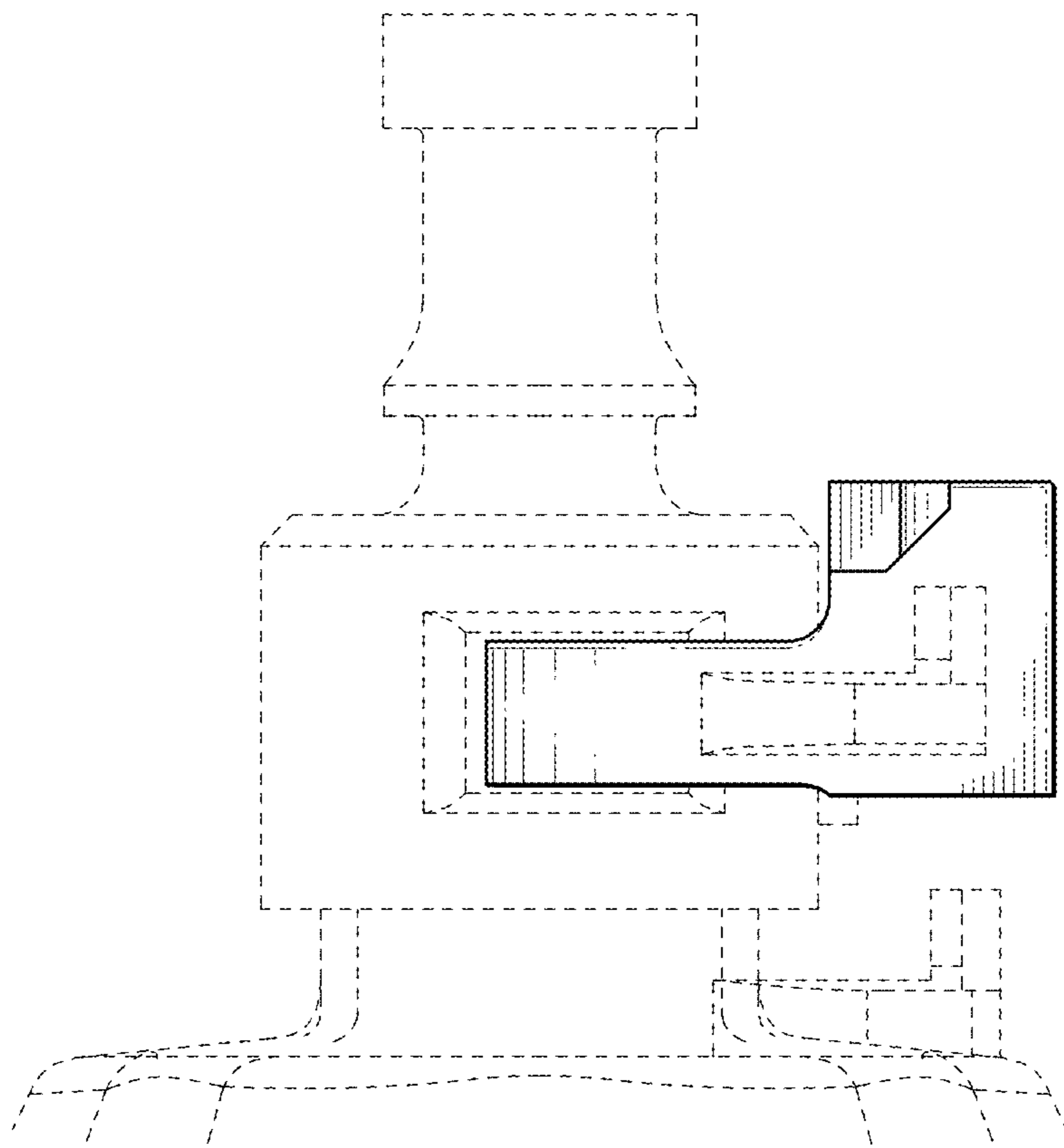


FIG. 8