



US00D777248S

(12) **United States Design Patent**
Oguchi et al.

(10) **Patent No.:** **US D777,248 S**

(45) **Date of Patent:** **** Jan. 24, 2017**

(54) **PRINTER**

(71) Applicant: **BROTHER INDUSTRIES, LTD.**,
Nagoya-shi, Aichi-ken (JP)

(72) Inventors: **Takaaki Oguchi**, Nagakute (JP);
Nobuyuki Iwai, Chita-gun (JP);
Tomoyuki Nanno, Nagoya (JP)

(73) Assignee: **Brother Industries, Ltd.**, Nagoya (JP)

(**) Term: **14 Years**

(21) Appl. No.: **29/524,514**

(22) Filed: **Apr. 21, 2015**

(30) **Foreign Application Priority Data**

Oct. 22, 2014 (JP) 2014-23641

(51) **LOC (10) Cl.** **18-02**

(52) **U.S. Cl.**
USPC **D18/50**

(58) **Field of Classification Search**

USPC D18/14, 19, 36-39, 50, 54, 54.1, 55;
D14/420-422, 424-425, 463-470
CPC B41J 3/38; B41J 3/4075; B41J 11/48;
B41J 11/58; B41J 13/12; B41J
15/02; B41J 15/042; B41J 17/00; B41J
29/02; B41J 29/08

See application file for complete search history.

(56) **References Cited**

U.S. PATENT DOCUMENTS

D231,539 S * 4/1974 MacConkey D18/50
D295,416 S * 4/1988 Glaberson D14/422

D304,598 S * 11/1989 Jokl D18/55
5,106,220 A * 4/1992 Ricca B41J 11/48
346/145
D329,862 S * 9/1992 Watanabe D18/50
5,236,265 A * 8/1993 Saito B41J 3/36
312/208.1
D340,232 S * 10/1993 Yoshida D14/422
D345,353 S * 3/1994 Dietrich D14/462
D361,084 S * 8/1995 Yamanaka D18/50
5,570,962 A * 11/1996 Suzuki B41J 2/32
347/108
D401,614 S * 11/1998 Moriyama D18/36
D631,479 S * 1/2011 Komuro D14/422
D644,265 S * 8/2011 Inada D18/50
D714,290 S * 9/2014 Tanaka D14/422
D723,035 S * 2/2015 Taniho D14/422

* cited by examiner

Primary Examiner — Cathy Anne MacCormac

(74) *Attorney, Agent, or Firm* — Oliff PLC

(57) **CLAIM**

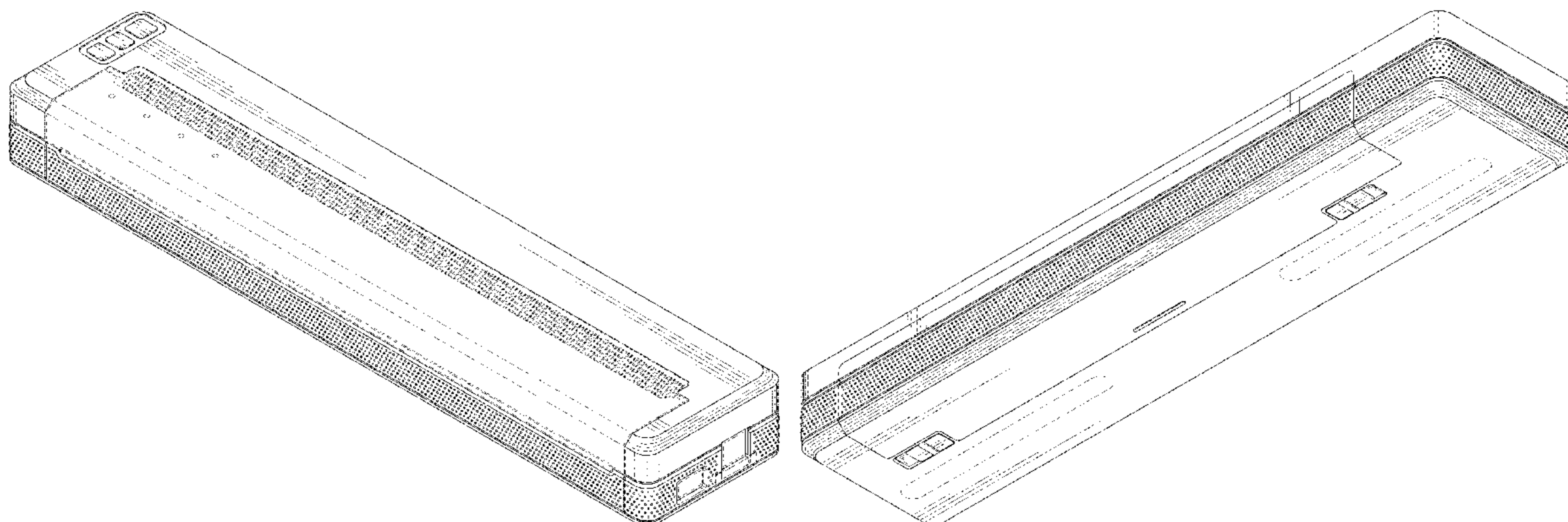
The ornamental design for a printer, as shown and described.

DESCRIPTION

FIG. 1 is a front, top perspective view of a printer;
FIG. 2 is a rear, bottom perspective view thereof;
FIG. 3 is a front view thereof;
FIG. 4 is a top view thereof;
FIG. 5 is a right-side view thereof;
FIG. 6 is a left-side view thereof;
FIG. 7 is a rear view thereof; and,
FIG. 8 is a bottom view thereof.

The broken lines depict environmental subject matter only and form no part of the claimed design.

1 Claim, 5 Drawing Sheets



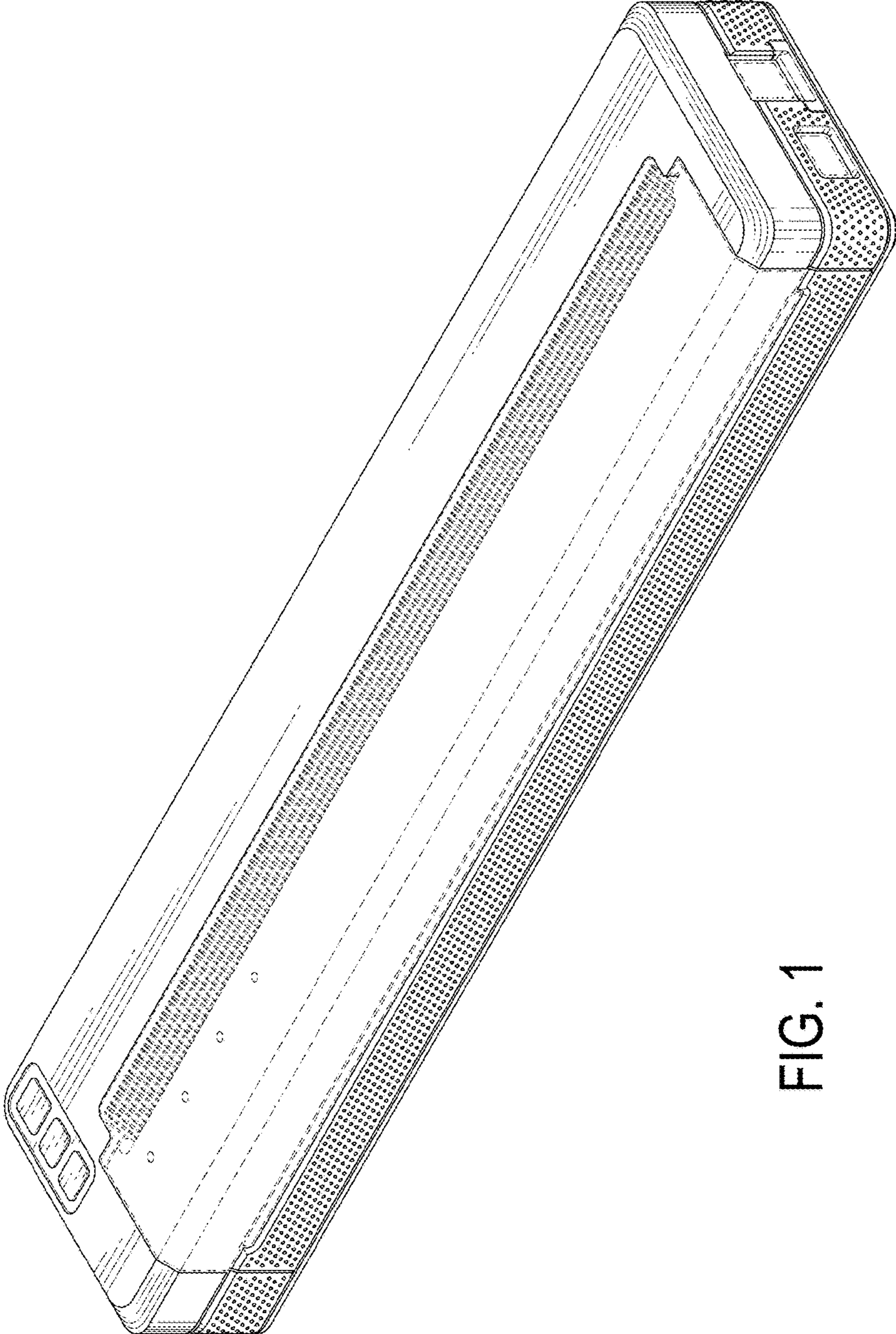


FIG. 1

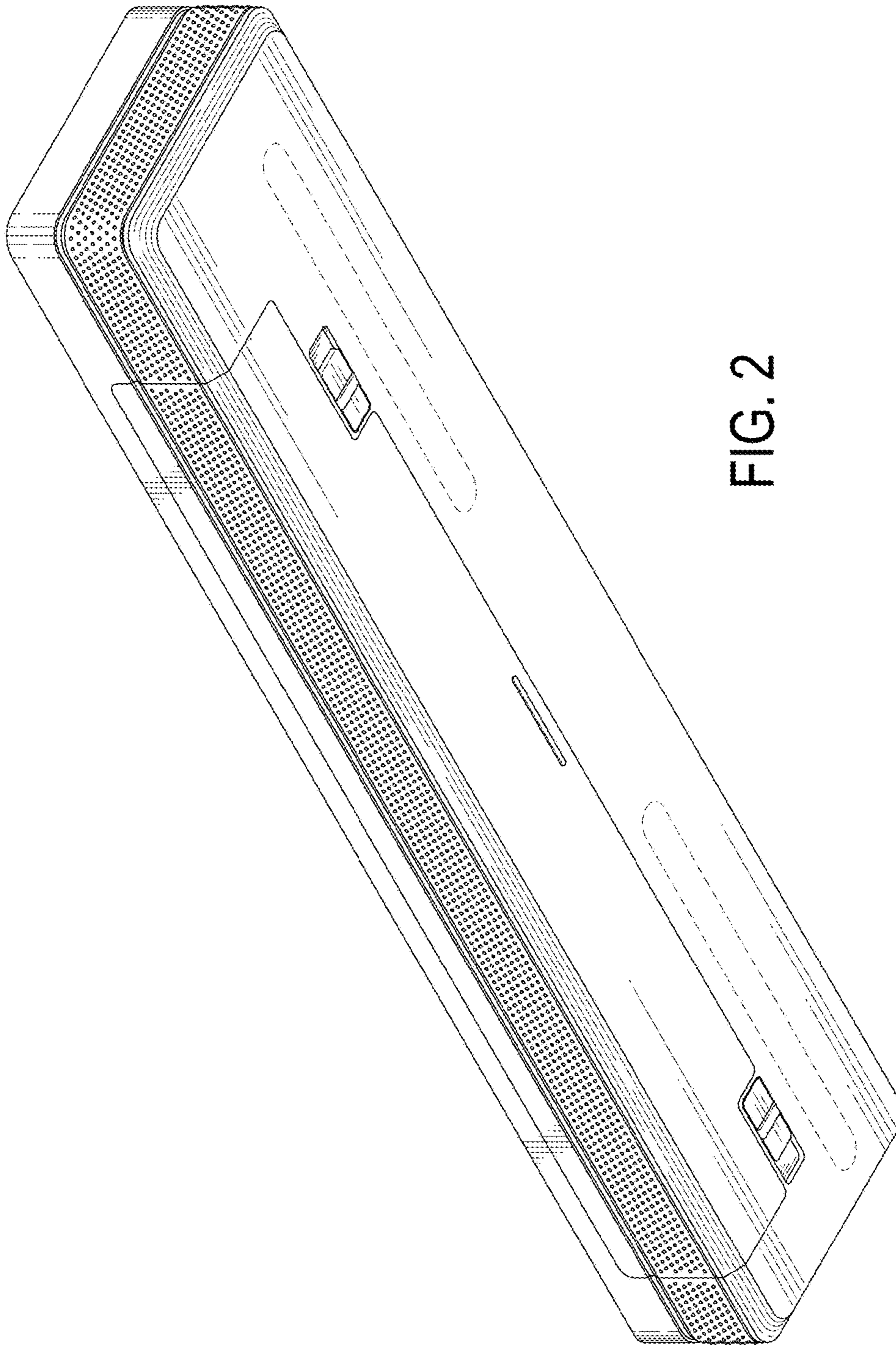


FIG. 2

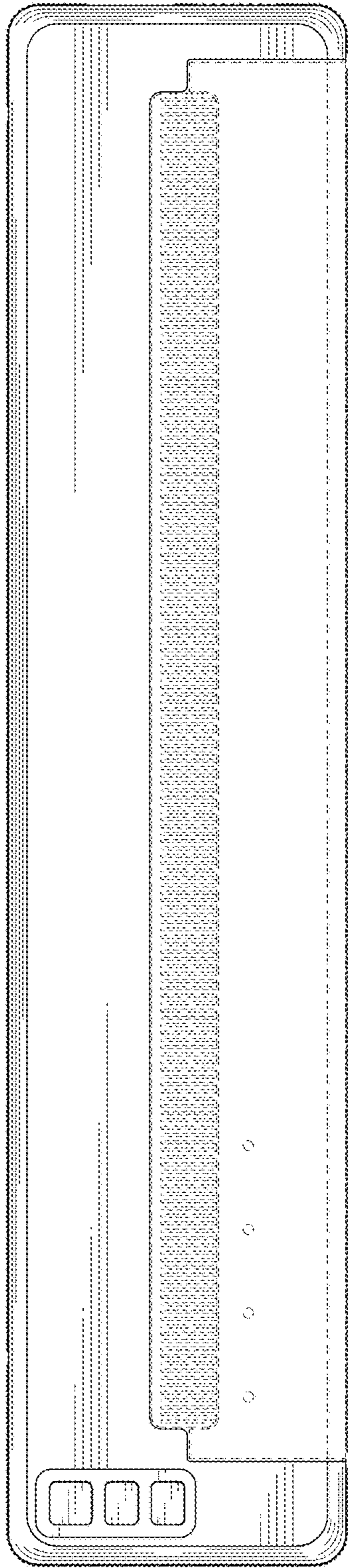


FIG. 4

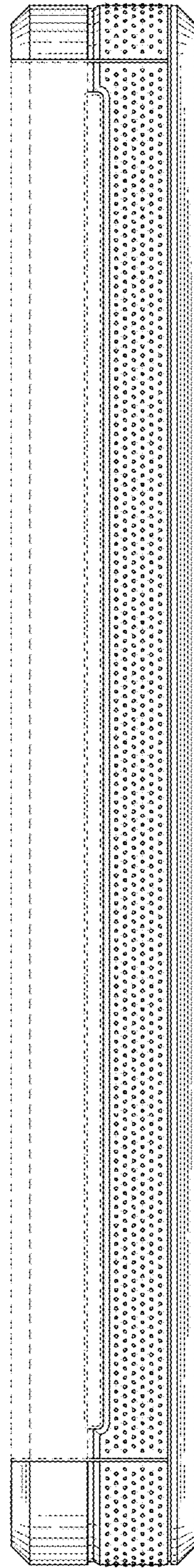


FIG. 3

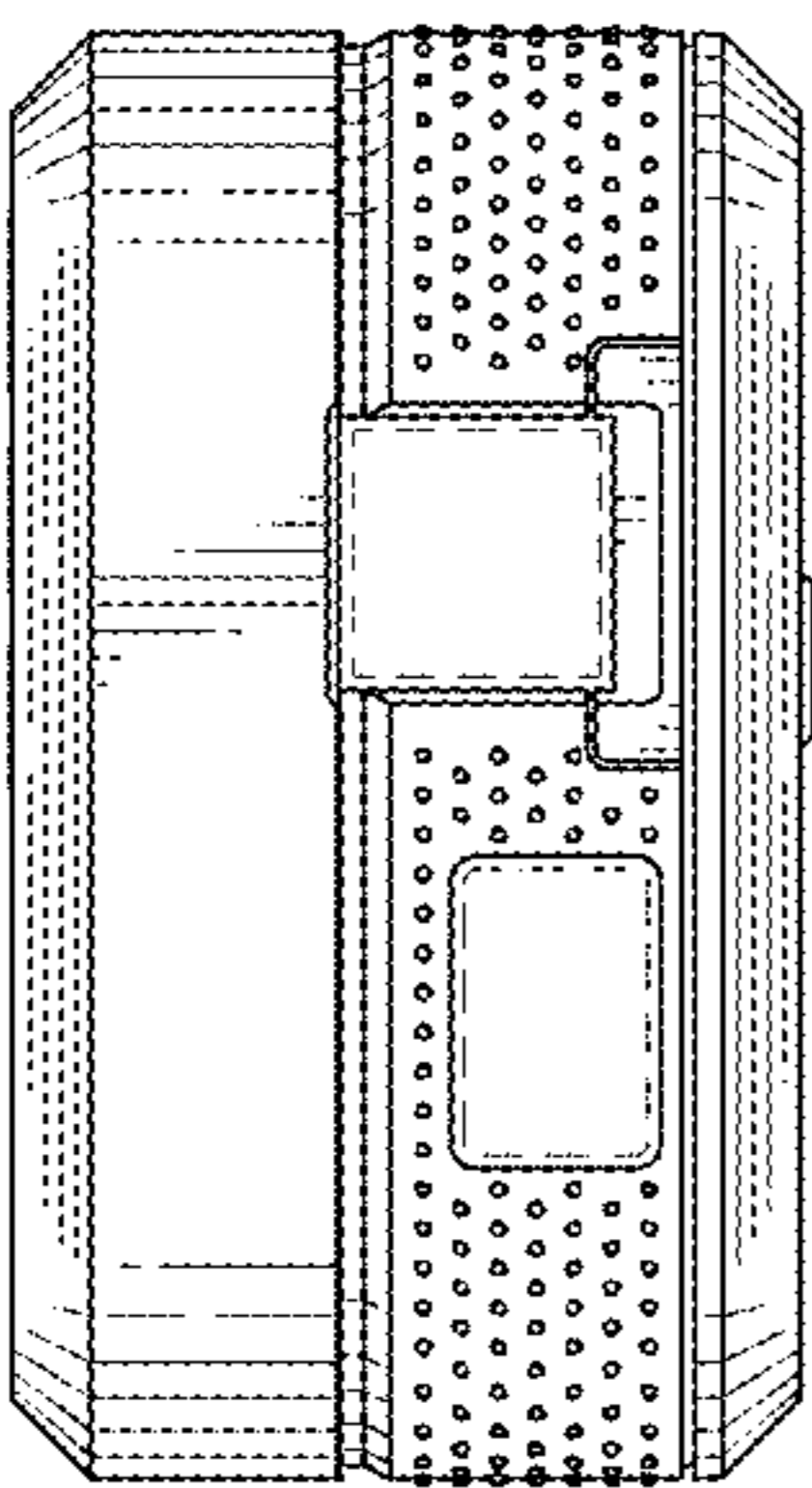


FIG. 5

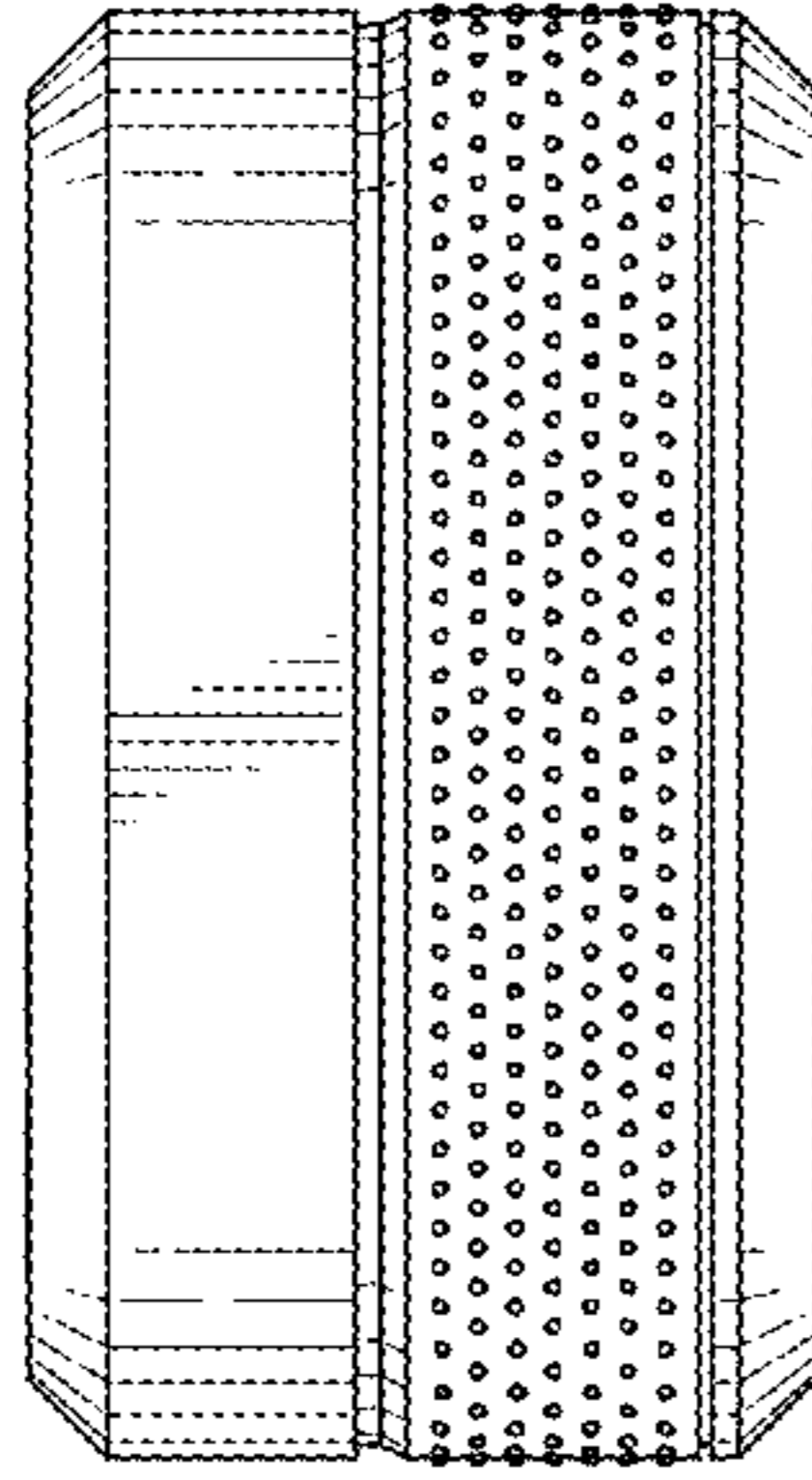


FIG. 6

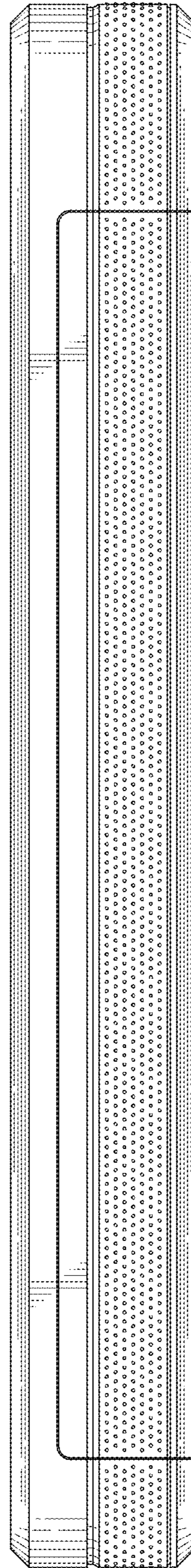


FIG. 7

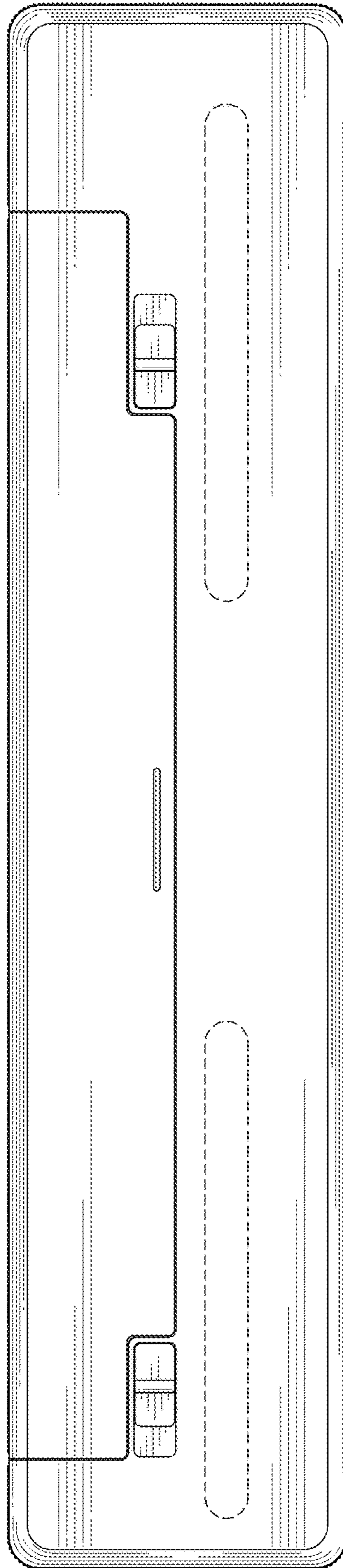


FIG. 8