



US00D777245S

(12) **United States Design Patent** (10) **Patent No.:** **US D777,245 S**  
**Rohner** (45) **Date of Patent:** **\*\* Jan. 24, 2017**

(54) **PERCUSSION MUSICAL INSTRUMENT**  
(71) Applicant: **PANArt Hangbau AG**, Bern (CH)  
(72) Inventor: **Felix Rohner**, Bern (CH)  
(73) Assignee: **PANART HANGBAU AG**, Bern (CH)  
(\*\*) Term: **15 Years**  
(21) Appl. No.: **29/540,261**

D370,416 S \* 6/1996 Hirato ..... D9/516  
D376,382 S \* 12/1996 Giorgini ..... D17/22  
D391,164 S \* 2/1998 Baron ..... D9/516  
D395,444 S \* 6/1998 Agu ..... D17/22  
D471,581 S \* 3/2003 Brady ..... D17/22  
D479,689 S \* 9/2003 Altonen ..... D9/516  
D575,327 S \* 8/2008 Lerner ..... D17/22  
D601,026 S \* 9/2009 Jost ..... D9/522  
D650,677 S \* 12/2011 Wurster ..... D9/516  
D737,368 S 8/2015 Rohner et al.  
D737,370 S 8/2015 Rohner et al.  
2009/0013851 A1\* 1/2009 Copeland ..... G10D 13/08  
84/411 R

(22) Filed: **Sep. 22, 2015**

(Continued)

(30) **Foreign Application Priority Data**

Mar. 24, 2015 (WO) ..... 881480001  
(51) **LOC (10) Cl.** ..... **17-04**  
(52) **U.S. Cl.**  
USPC ..... **D17/22**  
(58) **Field of Classification Search**  
USPC D9/516, 517, 523, 545, 546; D11/152-154;  
D17/10, 12, 22, 23, 24, 99  
CPC ..... G10D 13/00; G10D 13/003; G10D 13/02;  
G10D 13/06; G10D 13/08  
See application file for complete search history.

FOREIGN PATENT DOCUMENTS

WO DM/079631 12/2012  
*Primary Examiner* — Susan E Krakower  
*Assistant Examiner* — Lisa A Grabenstetter  
(74) *Attorney, Agent, or Firm* — Pearne & Gordon LLP

(56) **References Cited**

U.S. PATENT DOCUMENTS

1,769,551 A \* 7/1930 Schwartz ..... G10D 13/02  
84/411 R  
D94,373 S \* 1/1935 Williams ..... D7/300.1  
D132,560 S \* 5/1942 Sawyer ..... D11/153  
D142,799 S \* 11/1945 Thompson ..... 84/330  
2,802,305 A \* 8/1957 MacNaughton ..... A01G 27/06  
47/81  
D260,134 S \* 8/1981 Bercu ..... D11/153  
D272,159 S \* 1/1984 del Rio ..... D17/10  
D338,157 S \* 8/1993 Desgrippes ..... D9/435  
D348,416 S \* 7/1994 Harvey ..... D11/143

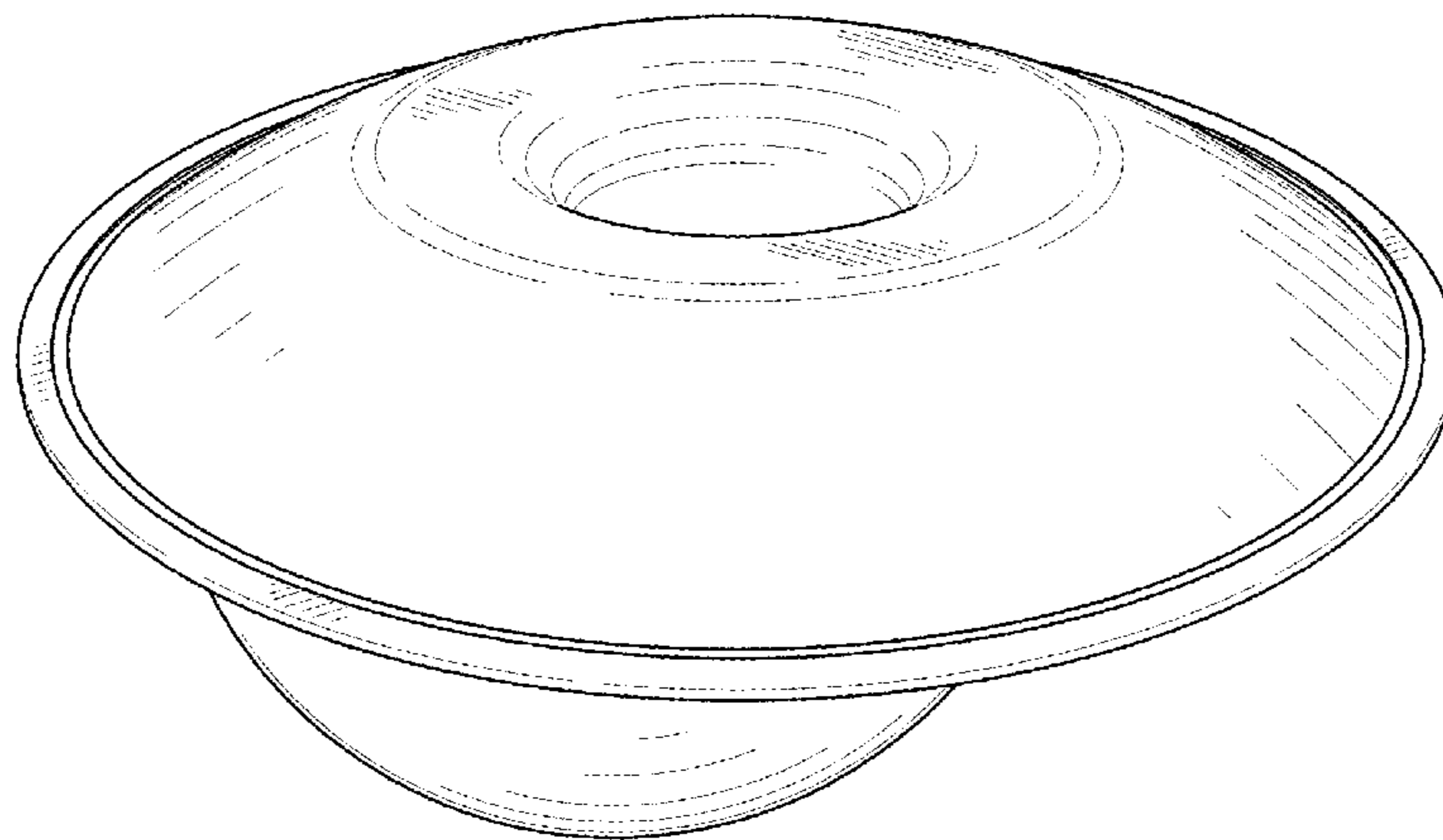
(57) **CLAIM**

I claim the ornamental design for a percussion musical instrument, as shown and described.

**DESCRIPTION**

FIG. 1 is a left front, top perspective view of a percussion musical instrument showing my new design.  
FIG. 2 is a right rear, bottom perspective view thereof.  
FIG. 3 is a left side view thereof.  
FIG. 4 is a right side view thereof.  
FIG. 5 is a front view thereof.  
FIG. 6 is a rear view thereof.  
FIG. 7 is a top view thereof; and,  
FIG. 8 is a bottom view thereof.  
The broken-line circle shown at the center of FIG. 7 represents a boundary of the claim, and forms no part of the claimed design.

**1 Claim, 4 Drawing Sheets**



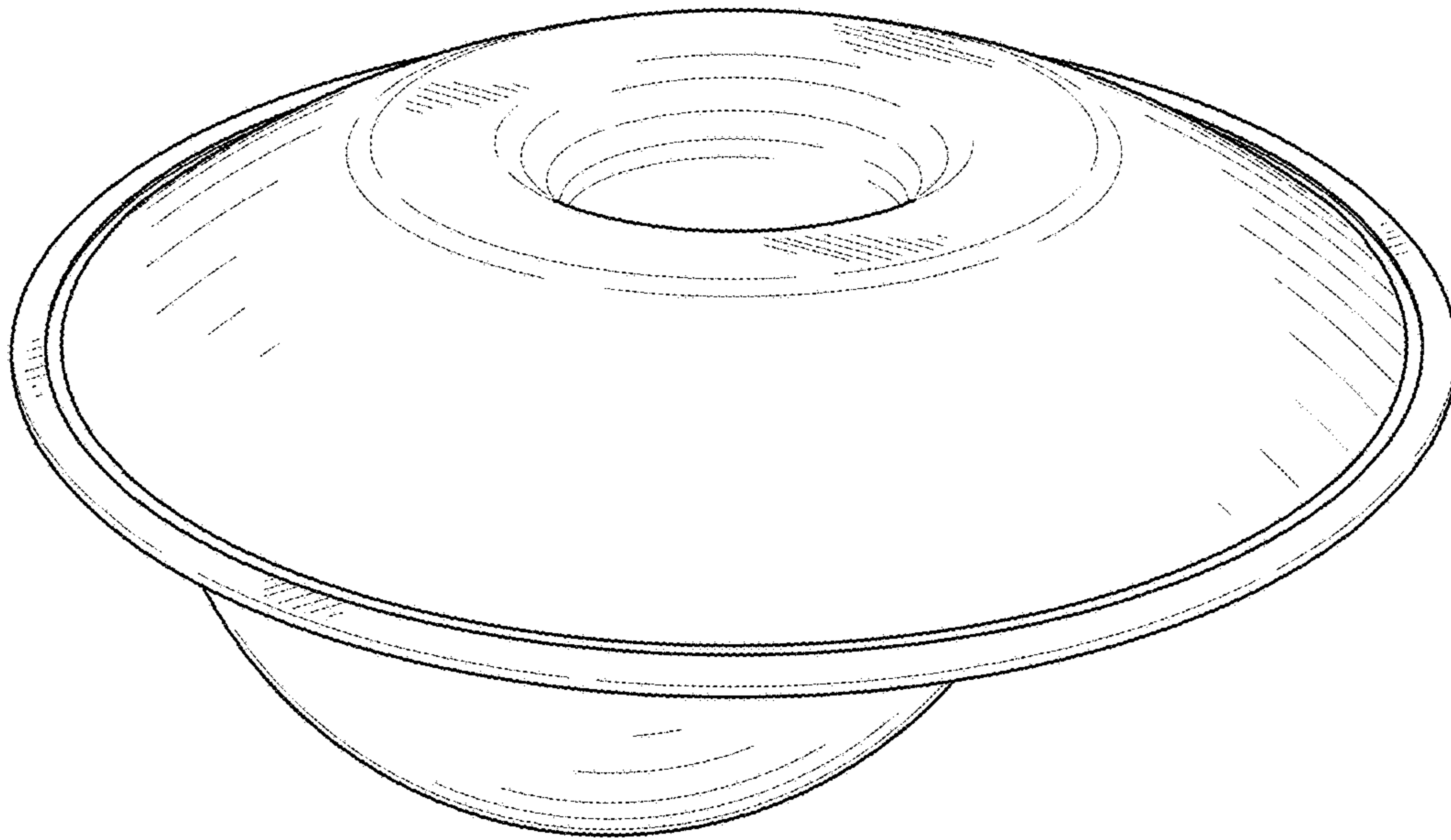
(56)

**References Cited**

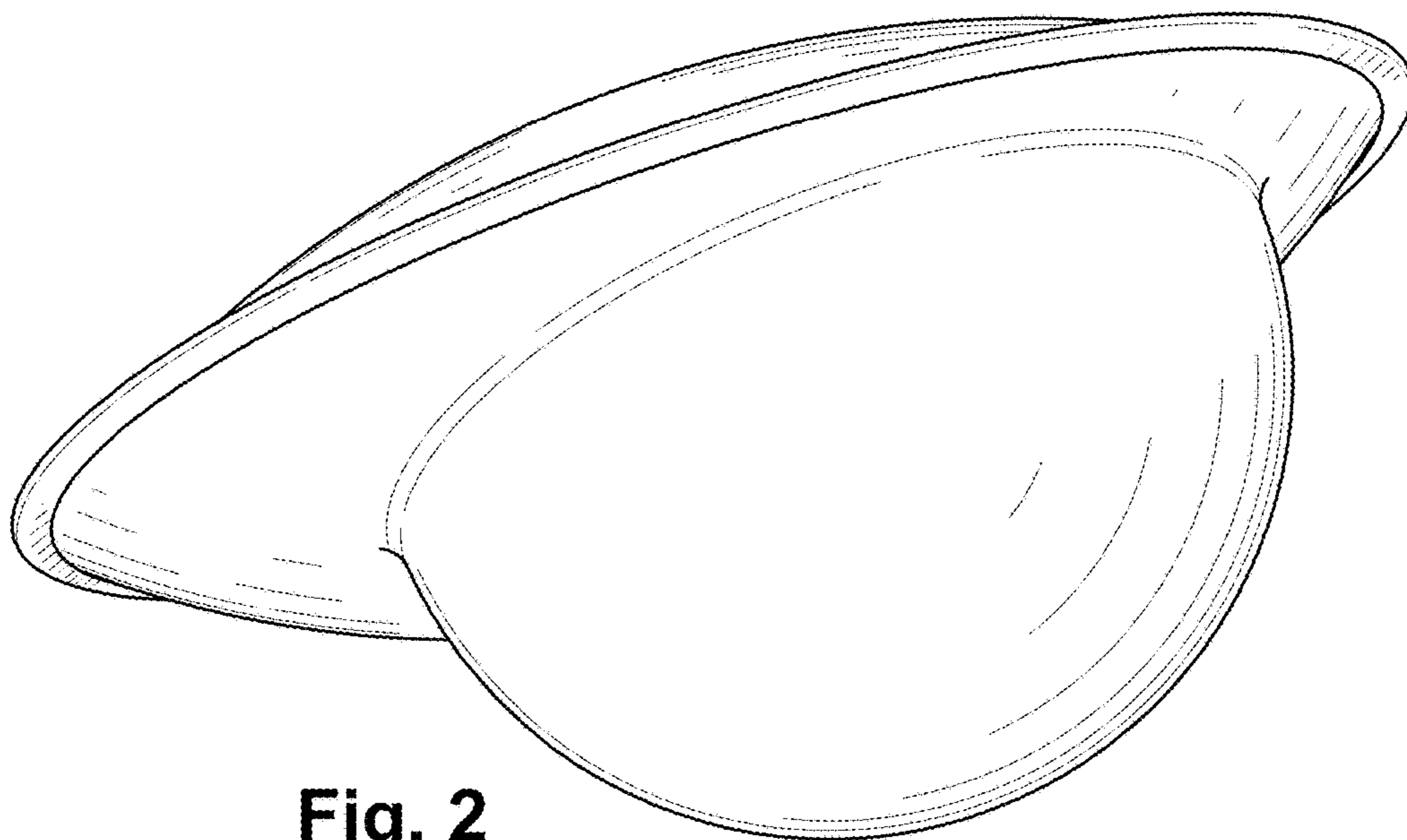
U.S. PATENT DOCUMENTS

2013/0133504 A1\* 5/2013 Takegawa ..... G10G 5/00  
84/421  
2014/0053707 A1\* 2/2014 Belli ..... G10D 13/02  
84/411 R

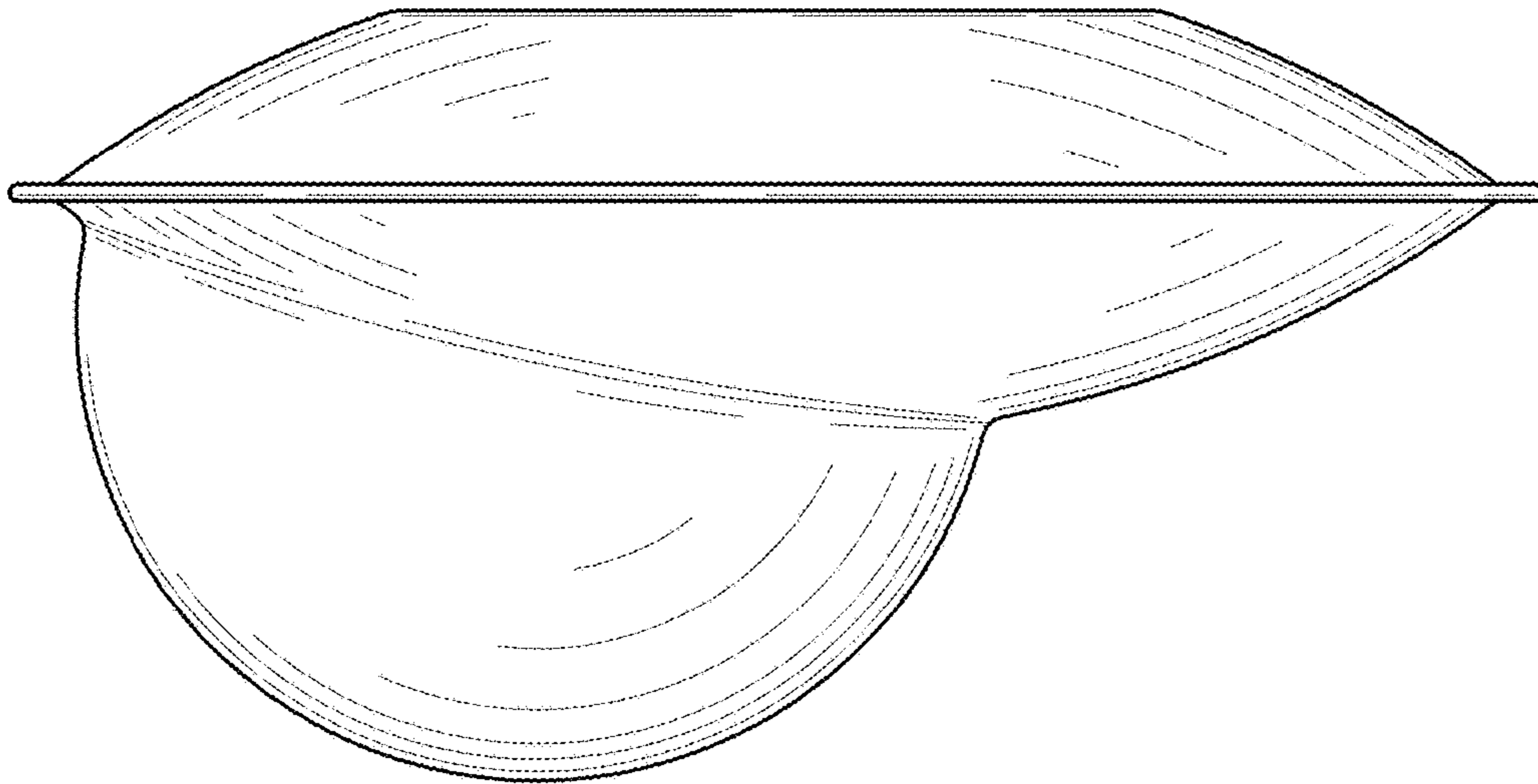
\* cited by examiner



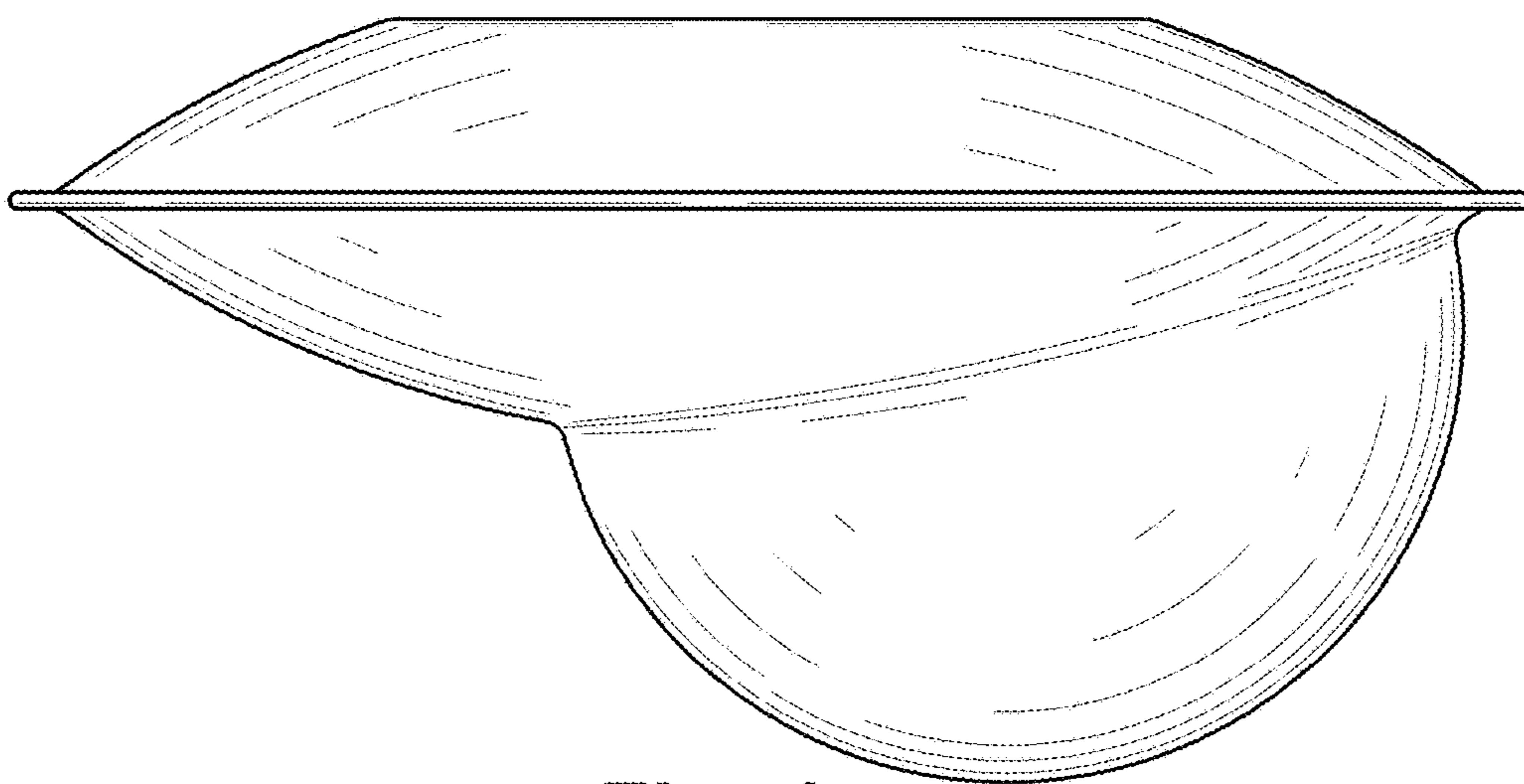
**Fig. 1**



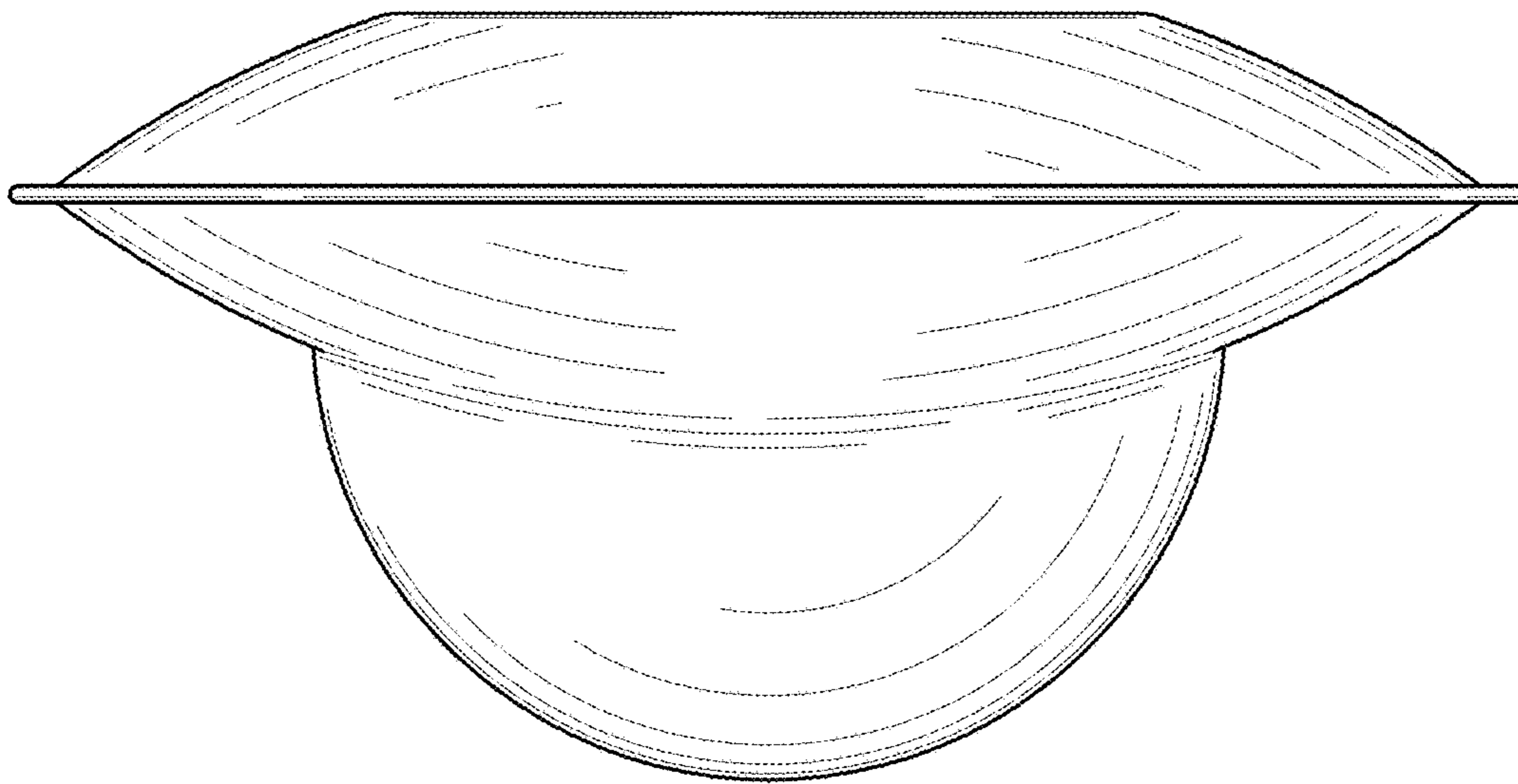
**Fig. 2**



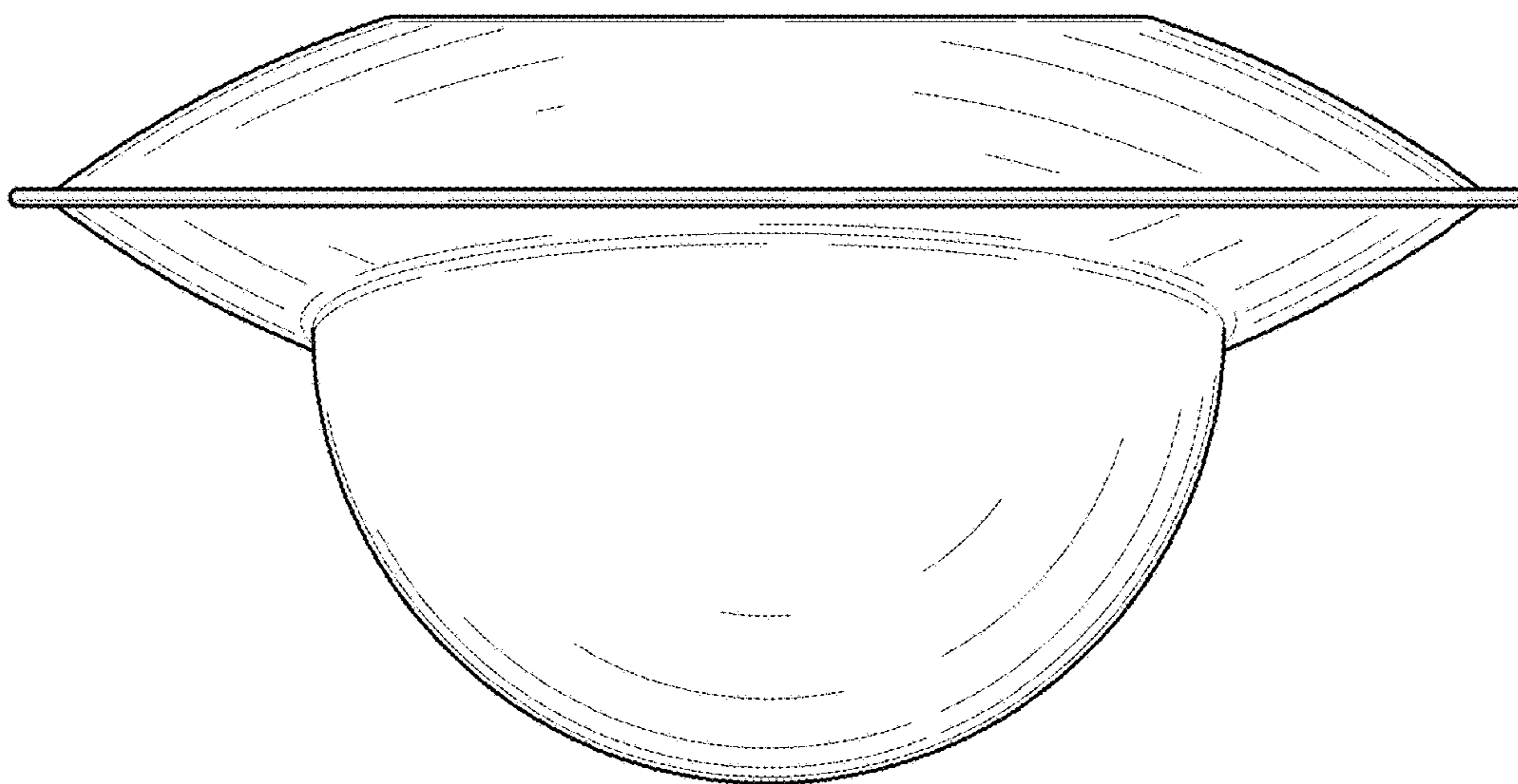
**Fig. 3**



**Fig. 4**

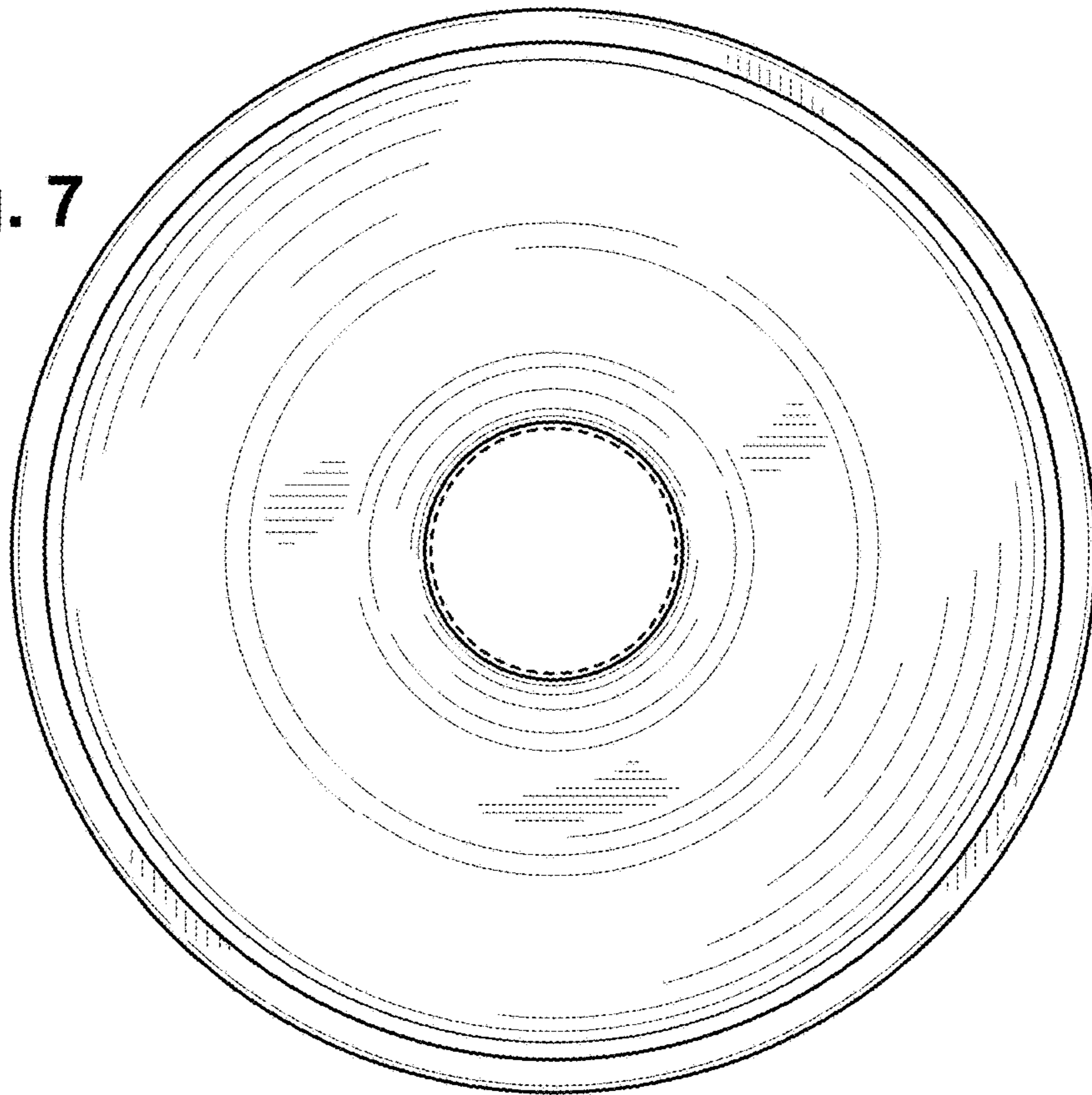


**Fig. 5**



**Fig. 6**

**Fig. 7**



**Fig. 8**

