



US00D777241S

(12) **United States Design Patent** (10) **Patent No.:** **US D777,241 S**  
**Costa** (45) **Date of Patent:** **\*\* Jan. 24, 2017**

- (54) **CAMERA BALL AND SOCKET MOUNT ADAPTER ARM**
- (71) Applicant: **GoPro, Inc.**, San Mateo, CA (US)
- (72) Inventor: **Mark E. Costa**, Menlo Park, CA (US)
- (73) Assignee: **GoPro, Inc.**, San Mateo, CA (US)
- (\*\*) Term: **15 Years**
- (21) Appl. No.: **29/548,664**
- (22) Filed: **Dec. 15, 2015**
- (51) **LOC (10) Cl.** ..... **16-05**
- (52) **U.S. Cl.**  
USPC ..... **D16/245**
- (58) **Field of Classification Search**  
USPC ..... D16/200, 204, 219, 237-250; D14/251;  
D12/162; D8/313, 382, 383; D15/2-6  
CPC ..... G03B 17/56; G03B 17/561-17/568;  
G02B 7/00-7/002  
See application file for complete search history.

(56) **References Cited**

**U.S. PATENT DOCUMENTS**

D287,224 S	*	12/1986	Saunders, IV	.....	D12/114
D323,339 S	*	1/1992	Ishikawa	.....	D16/245
D373,947 S	*	9/1996	Parduhn	.....	D8/373
D467,605 S	*	12/2002	Dordick	.....	D16/242
D596,658 S	*	7/2009	Dordick	.....	D16/242
D679,576 S	*	4/2013	Paul	.....	D8/354
D683,207 S	*	5/2013	Papadopoulos	.....	D8/367
D708,680 S	*	7/2014	Norman	.....	D21/503
D749,164 S	*	2/2016	Raccah	.....	D16/242
D764,566 S	*	8/2016	Bennett	.....	D16/242
D764,567 S	*	8/2016	Bennett	.....	D16/242

**OTHER PUBLICATIONS**

Vixen Polaris Star Tracker Review. [online] Published date Mar. 22, 2013. Retrieved on Oct. 25, 2016 from <URL: <https://www.ephotozine.com/article/vixen-polaris-star-tracker-review-21516>>.\*  
RAM Mount GoPro Adapter w/1" Ball. [online] Published date Apr. 4, 2014. Retrieved on Oct. 25, 2016 from <URL: [https://www.amazon.com/gp/product/B00JGX8AXG/ref=as\\_li\\_tl?ie=UTF8&camp=1789&creative=9325&creativeASIN=B00JGX8AXG&linkCode=as2&tag=opeinc-20&linkId=JMIG7VJSFP7G42DP](https://www.amazon.com/gp/product/B00JGX8AXG/ref=as_li_tl?ie=UTF8&camp=1789&creative=9325&creativeASIN=B00JGX8AXG&linkCode=as2&tag=opeinc-20&linkId=JMIG7VJSFP7G42DP)>.\*

\* cited by examiner

*Primary Examiner* — Vy Koenig  
*Assistant Examiner* — Omeed Agilee  
(74) *Attorney, Agent, or Firm* — Fenwick & West LLP

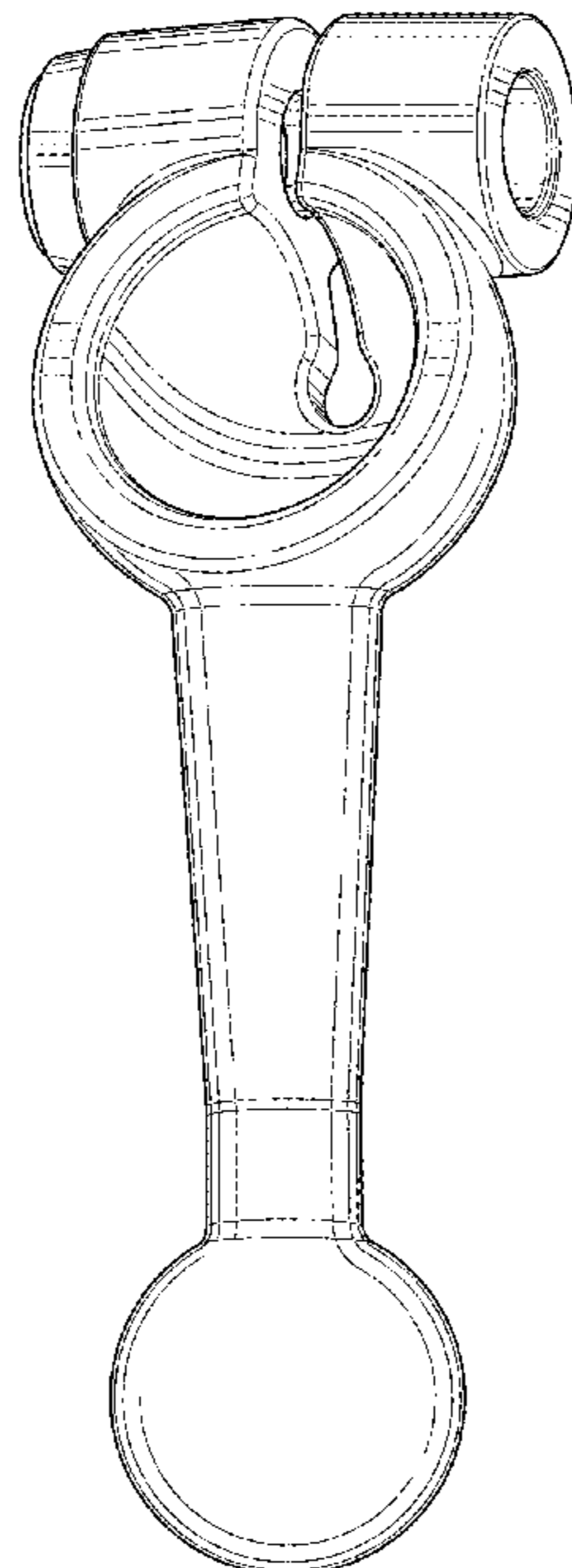
(57) **CLAIM**

The ornamental design for a camera ball and socket mount adapter arm, as shown and described.

**DESCRIPTION**

FIG. 1 is a front and right perspective view of a camera ball and socket mount adapter arm;  
FIG. 2 is a rear and left perspective view thereof;  
FIG. 3 is a front view thereof;  
FIG. 4 is a rear view thereof;  
FIG. 5 is a left view thereof;  
FIG. 6 is a right view thereof;  
FIG. 7 is a top view thereof; and,  
FIG. 8 is a bottom view thereof.  
The broken lines in the drawings depict portions of the camera ball and socket mount adapter arm that form no part of the claimed design.

**1 Claim, 8 Drawing Sheets**



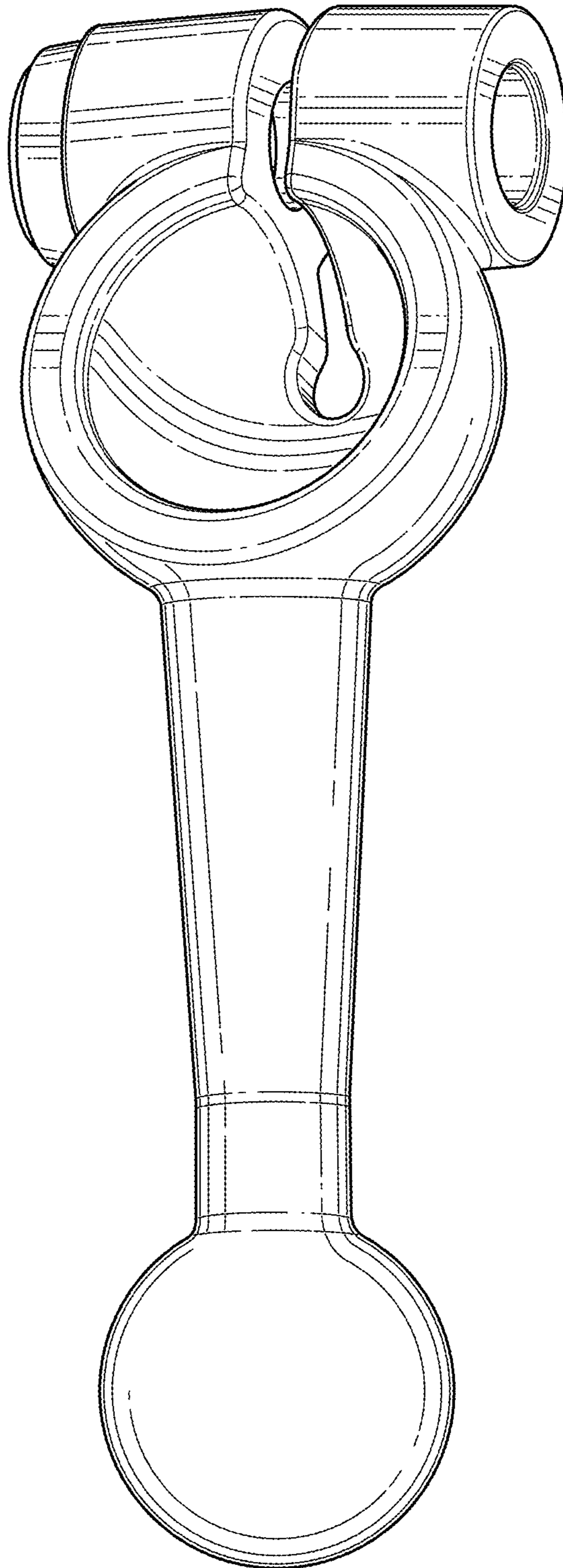


FIG. 1

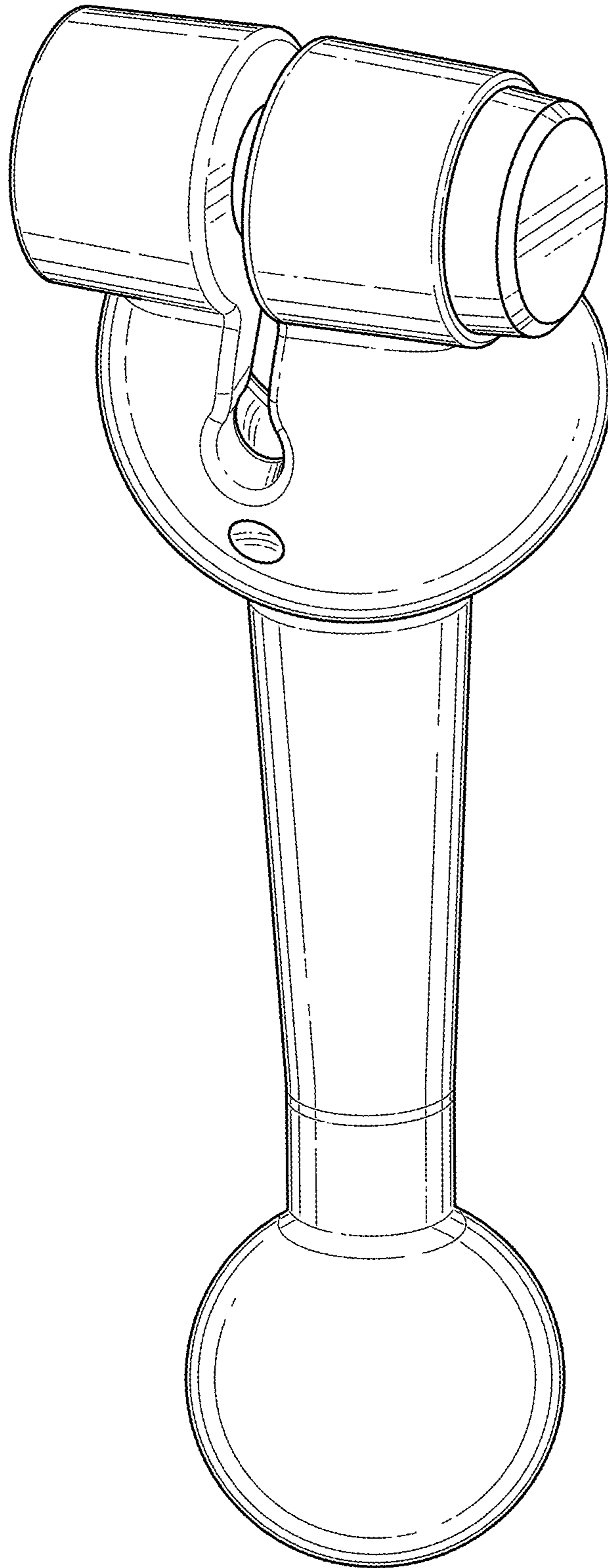


FIG. 2

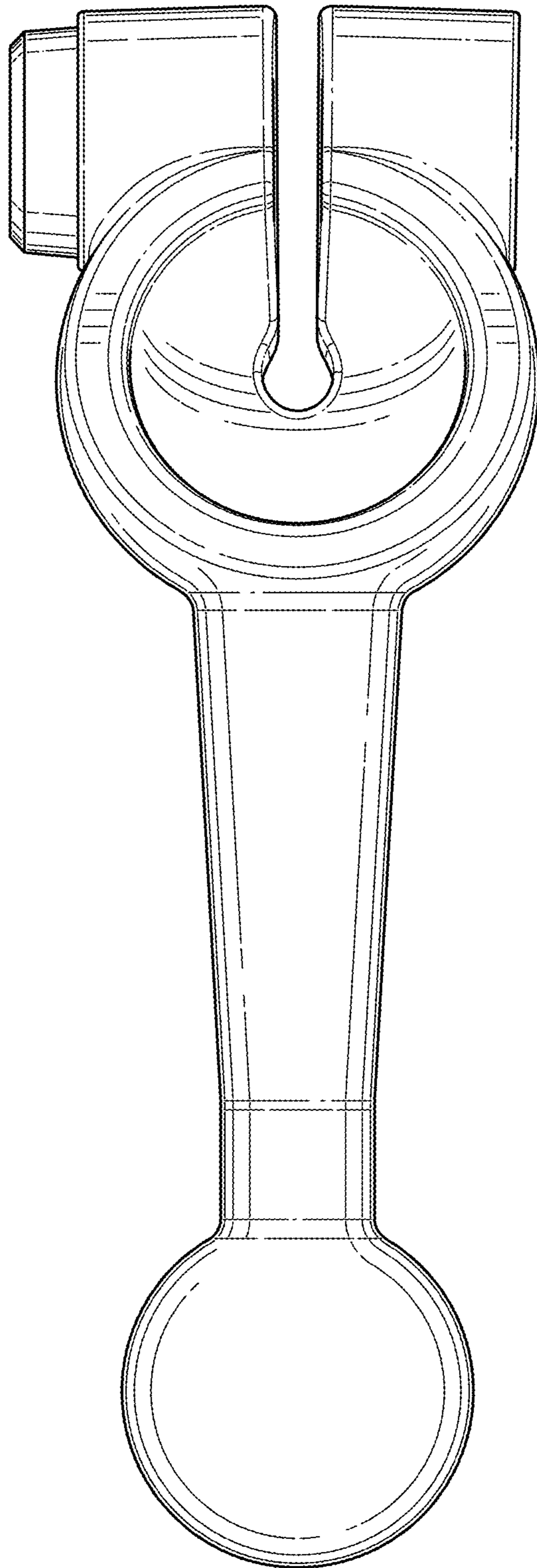


FIG. 3

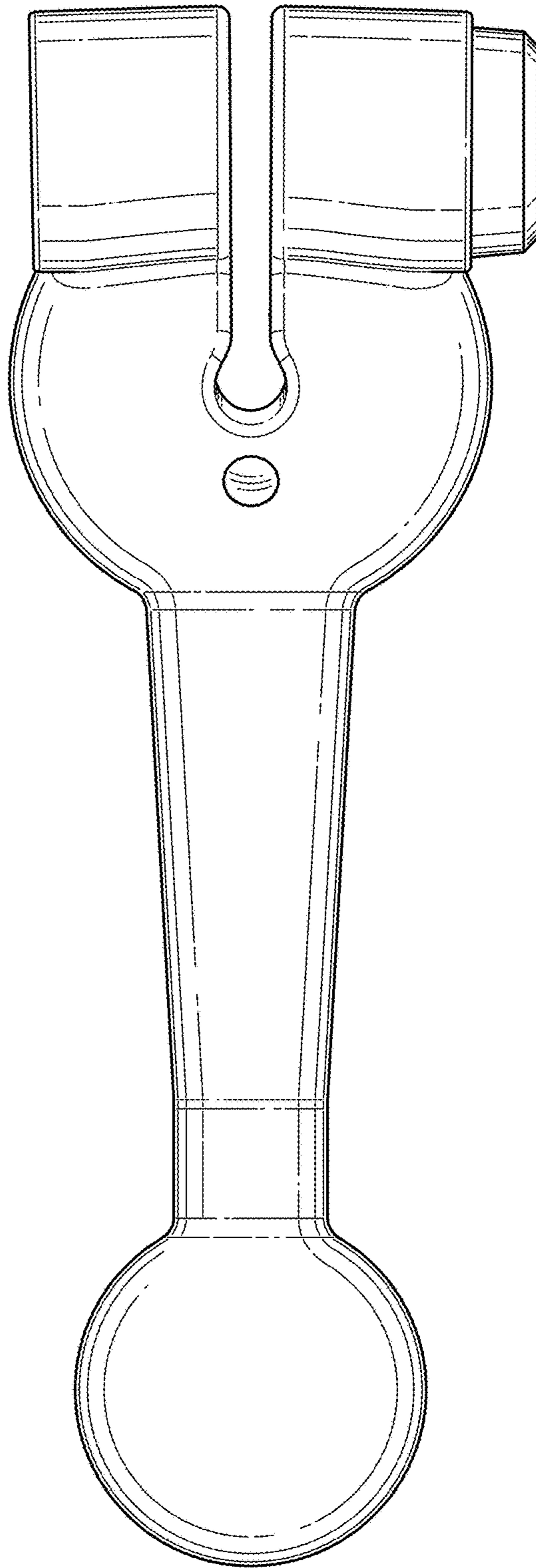


FIG. 4

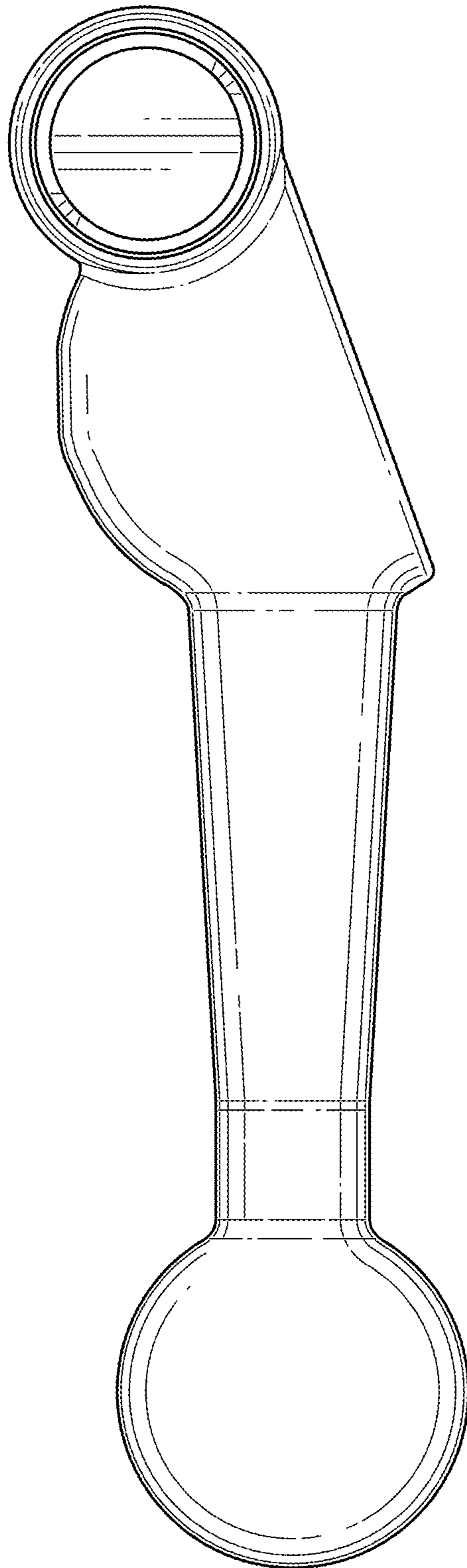


FIG. 5

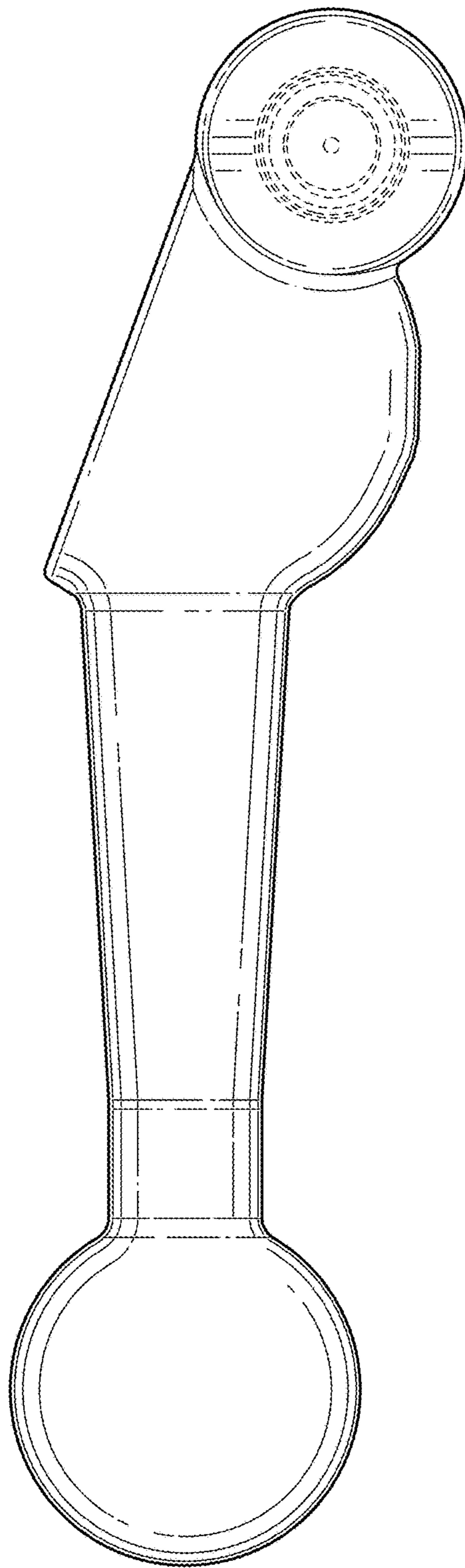


FIG. 6

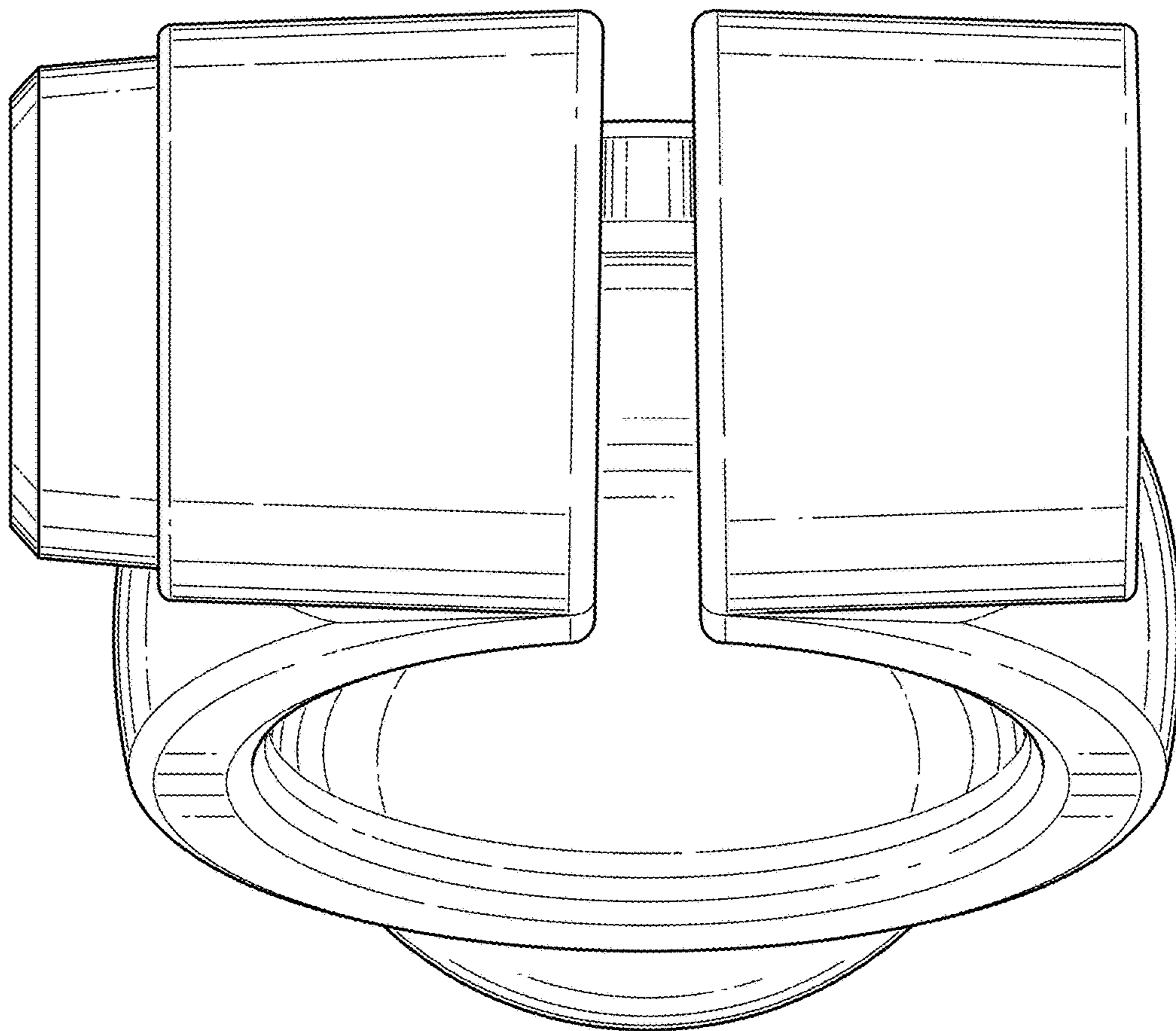


FIG. 7



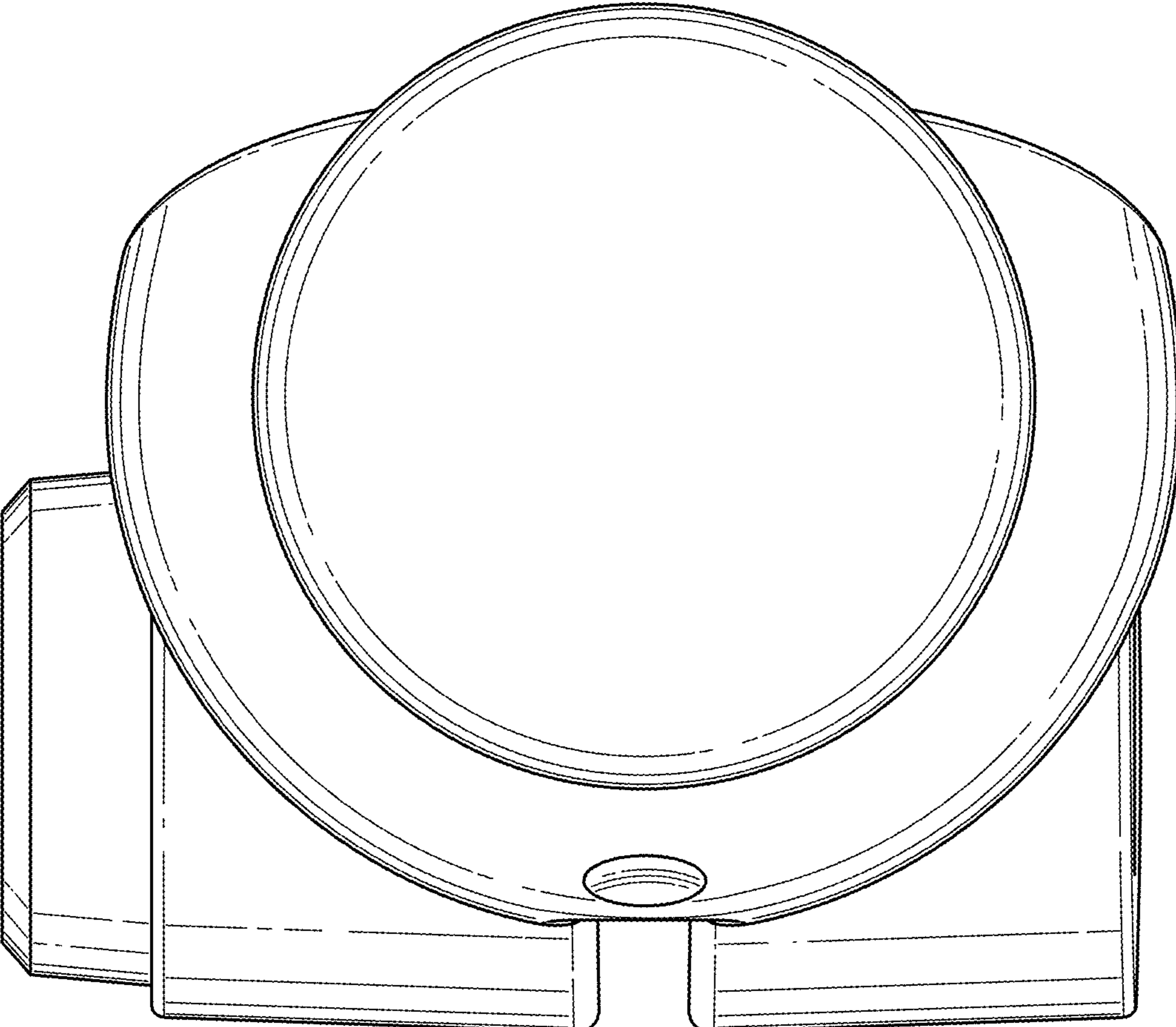


FIG. 8