



US00D777240S

(12) **United States Design Patent**
Costa

(10) **Patent No.:** **US D777,240 S**
(45) **Date of Patent:** **** Jan. 24, 2017**

(54) **CAMERA SOCKET MOUNT ADAPTER**

(71) Applicant: **GoPro, Inc.**, San Mateo, CA (US)

(72) Inventor: **Mark E. Costa**, Menlo Park, CA (US)

(73) Assignee: **GoPro, Inc.**, San Mateo, CA (US)

(**) Term: **15 Years**

(21) Appl. No.: **29/548,662**

(22) Filed: **Dec. 15, 2015**

(51) **LOC (10) Cl.** **16-05**

(52) **U.S. Cl.**
USPC **D16/245**

(58) **Field of Classification Search**
USPC . D16/200, 204, 237-250; D14/251; D8/313,
D8/382, 383; D12/162, 223; D15/2-6
CPC G03B 17/56; G03B 17/561-17/568;
G02B 7/00-7/002
See application file for complete search history.

(56) **References Cited**

U.S. PATENT DOCUMENTS

D35,263 S *	11/1901	Frazier	D8/382
D373,947 S *	9/1996	Parduhn	D8/373
D462,893 S *	9/2002	Sung	D8/373
D467,605 S *	12/2002	Dordick	D16/242
D596,658 S *	7/2009	Dordick	D16/242
D616,286 S *	5/2010	Foresman	D8/354
D635,445 S *	4/2011	Foresman	D8/354
D679,576 S *	4/2013	Paul	D8/354
D683,207 S *	5/2013	Papadopoulos	D8/367

D722,864 S *	2/2015	Greenthal	D8/382
D749,164 S *	2/2016	Raccah	D16/242
D764,566 S *	8/2016	Bennett	D16/242
D764,567 S *	8/2016	Bennett	D16/242

OTHER PUBLICATIONS

Vixen Polarie Star Tracker Review. [online] Published date Mar. 22, 2013. Retrieved on Oct. 25, 2016 from <URL: <https://www.ephotozine.com/article/vixen-polarie-star-tracker-review-21516>>.*

* cited by examiner

Primary Examiner — Vy Koenig

Assistant Examiner — Omeed Agilee

(74) *Attorney, Agent, or Firm* — Fenwick & West LLP

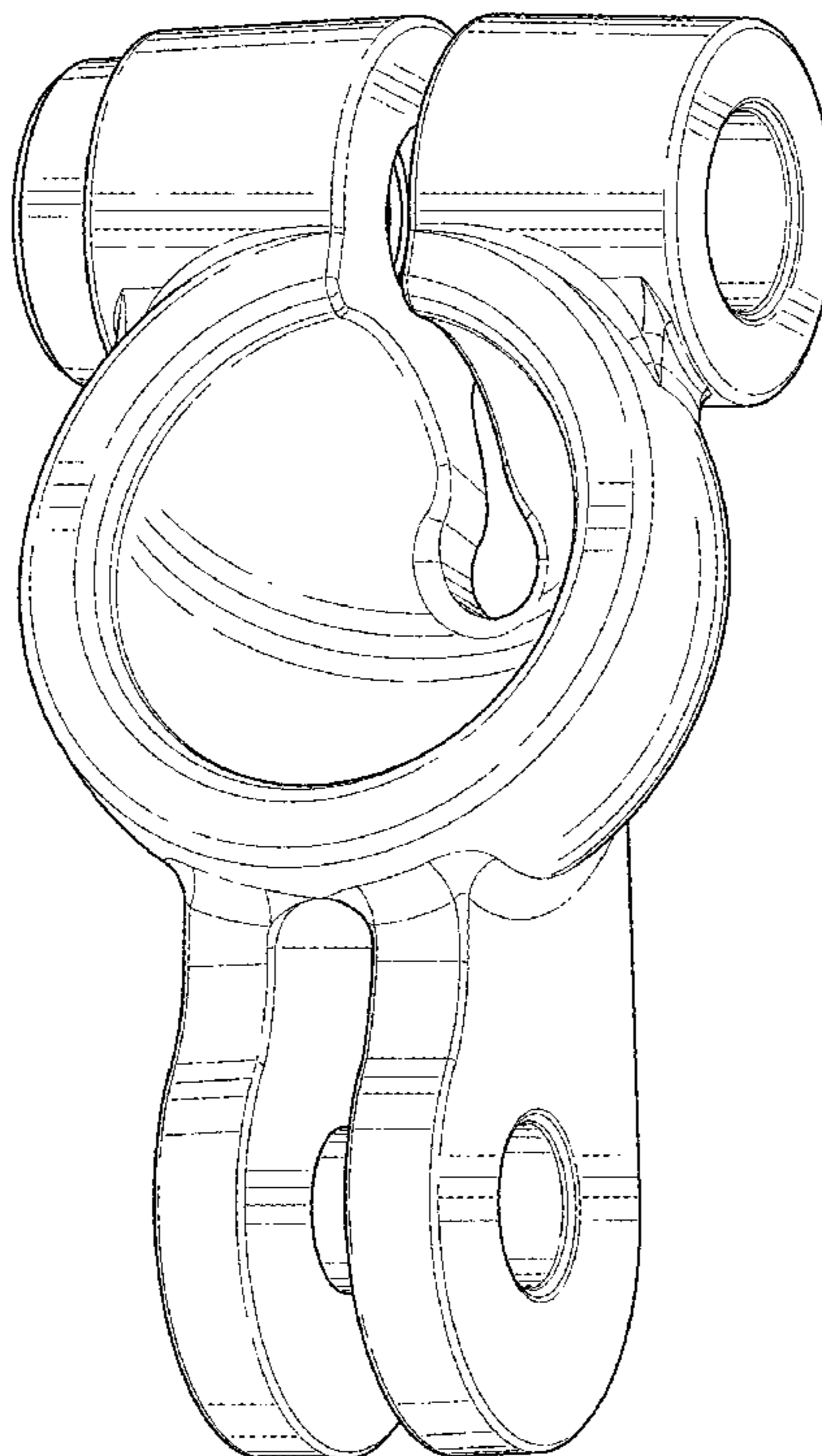
(57) **CLAIM**

The ornamental design for a camera socket mount adapter, as shown and described.

DESCRIPTION

FIG. 1 is a front and right perspective view of a camera socket mount adapter;
FIG. 2 is a rear and left perspective view thereof;
FIG. 3 is a front view thereof;
FIG. 4 is a rear view thereof;
FIG. 5 is a left view thereof;
FIG. 6 is a right view thereof;
FIG. 7 is a top view thereof; and,
FIG. 8 is a bottom view thereof.
The broken lines depict portions of the camera socket mount adapter that form no part of the claimed design.

1 Claim, 8 Drawing Sheets



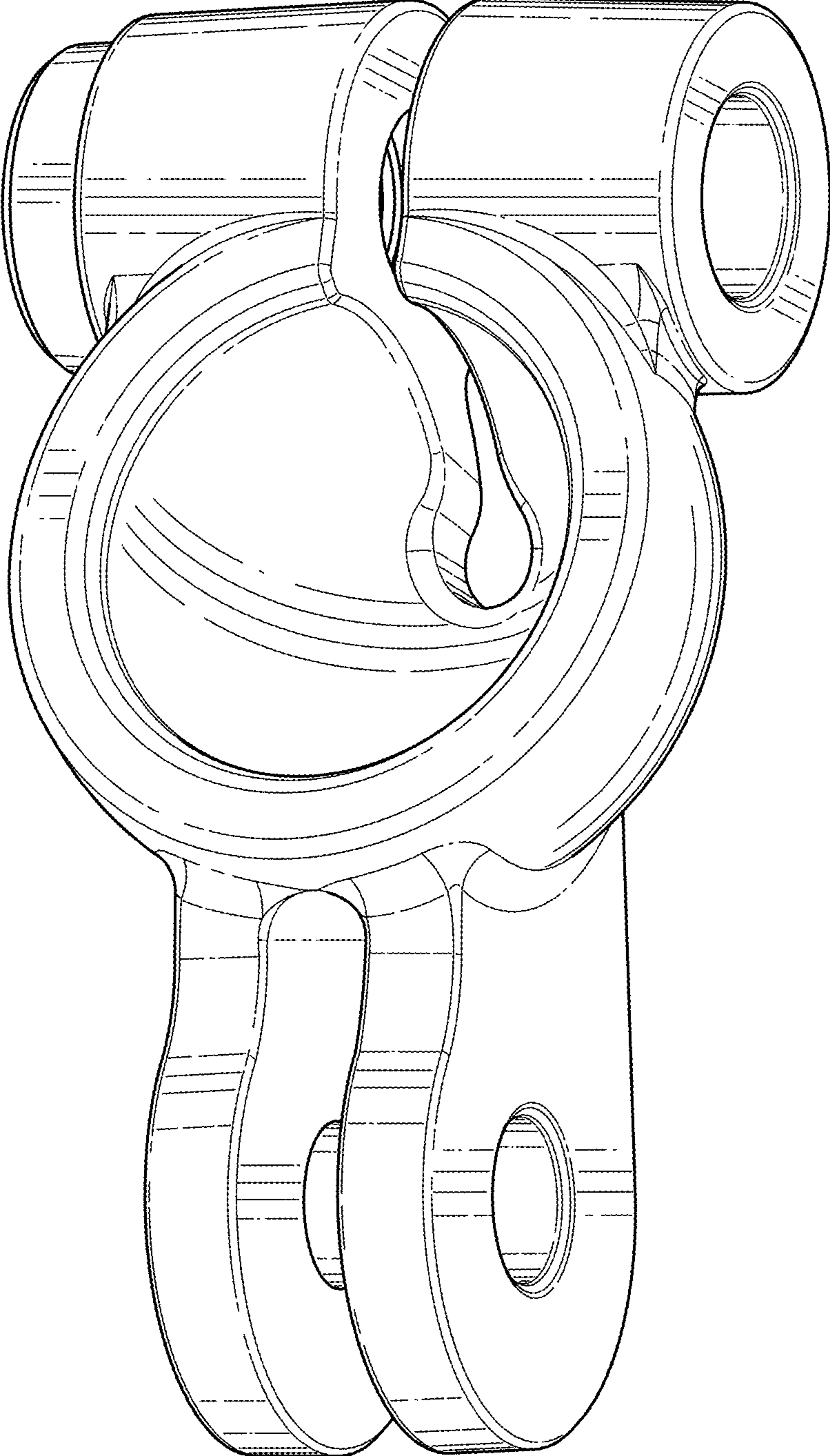


FIG. 1

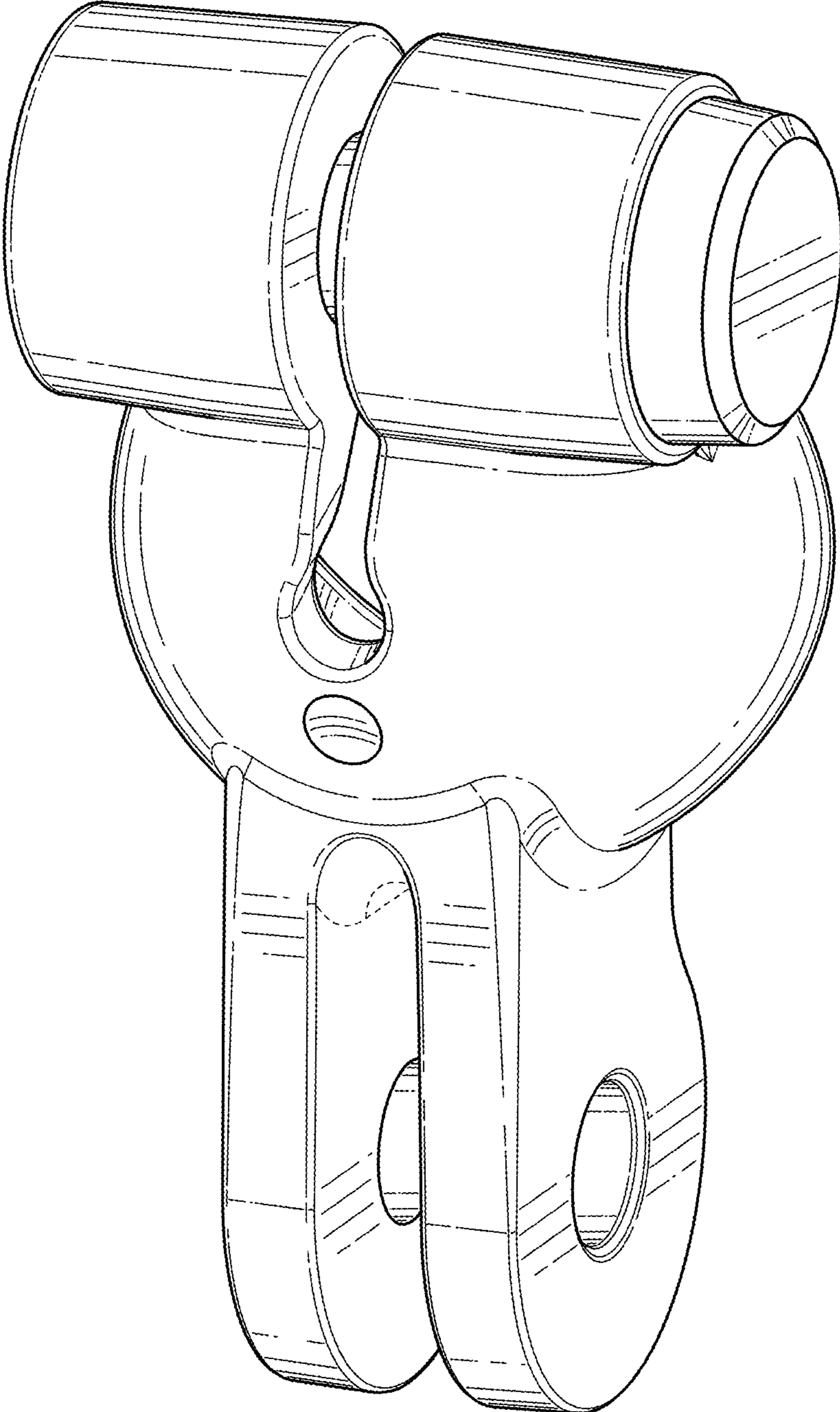


FIG. 2

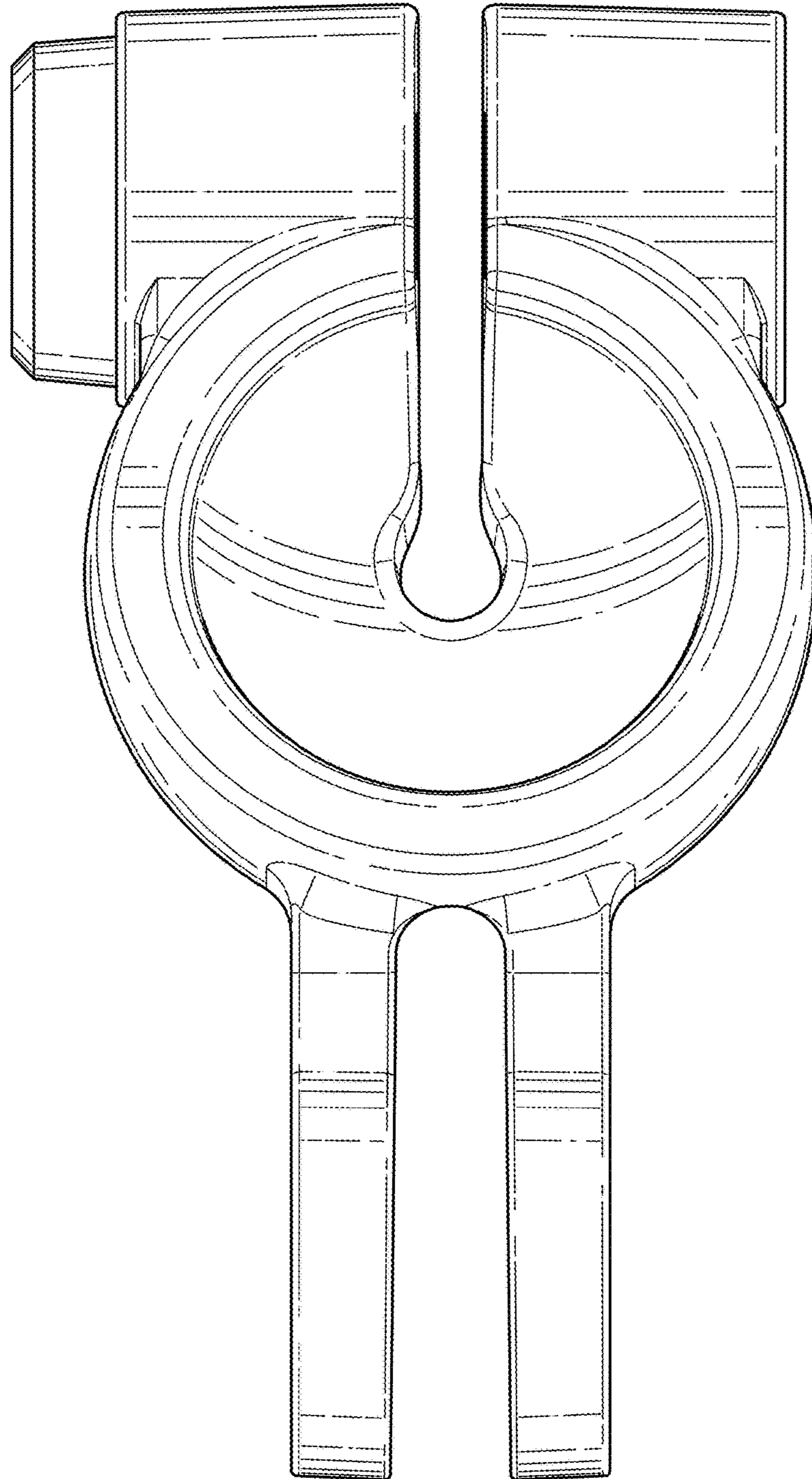


FIG. 3

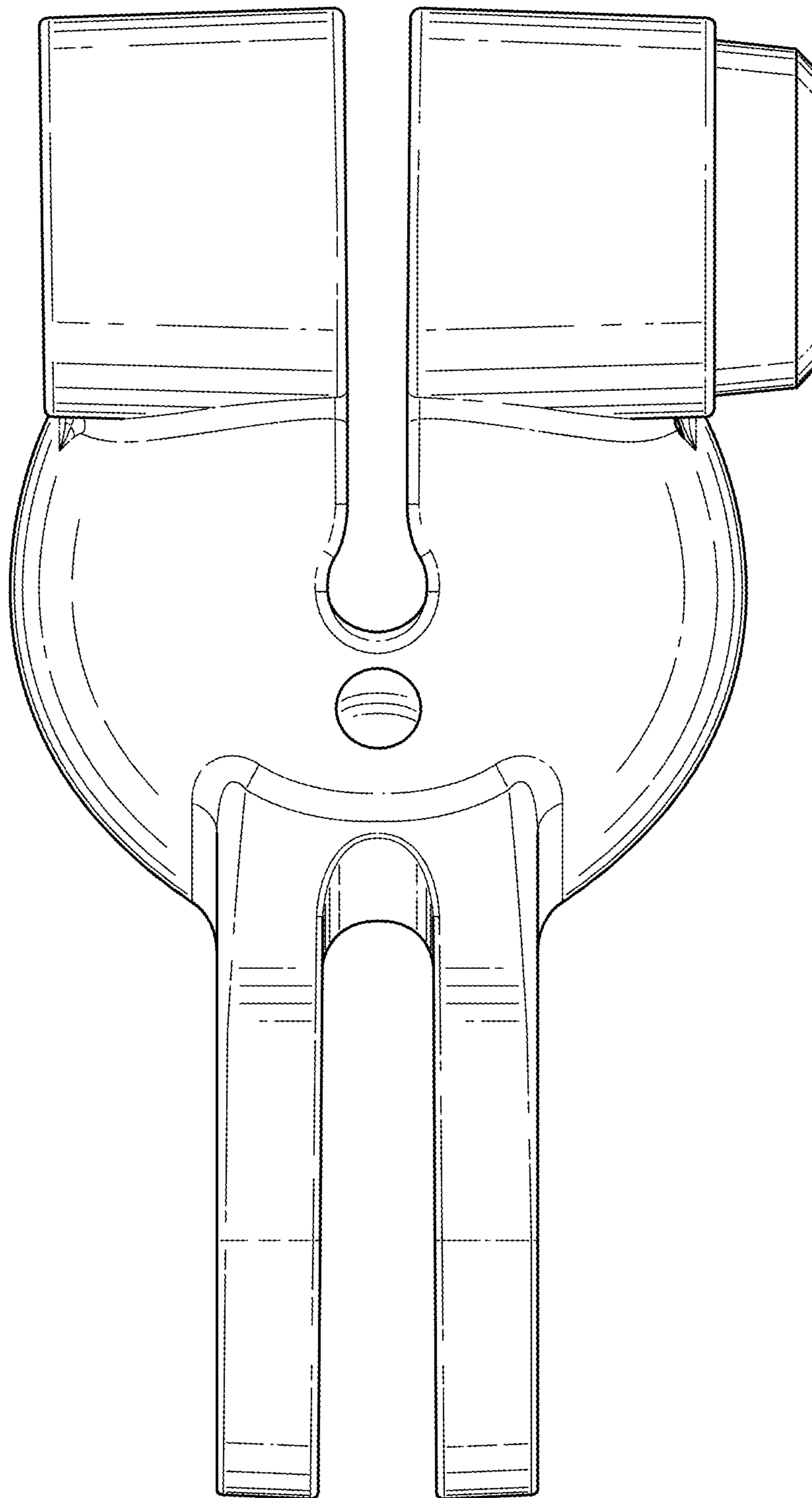


FIG. 4

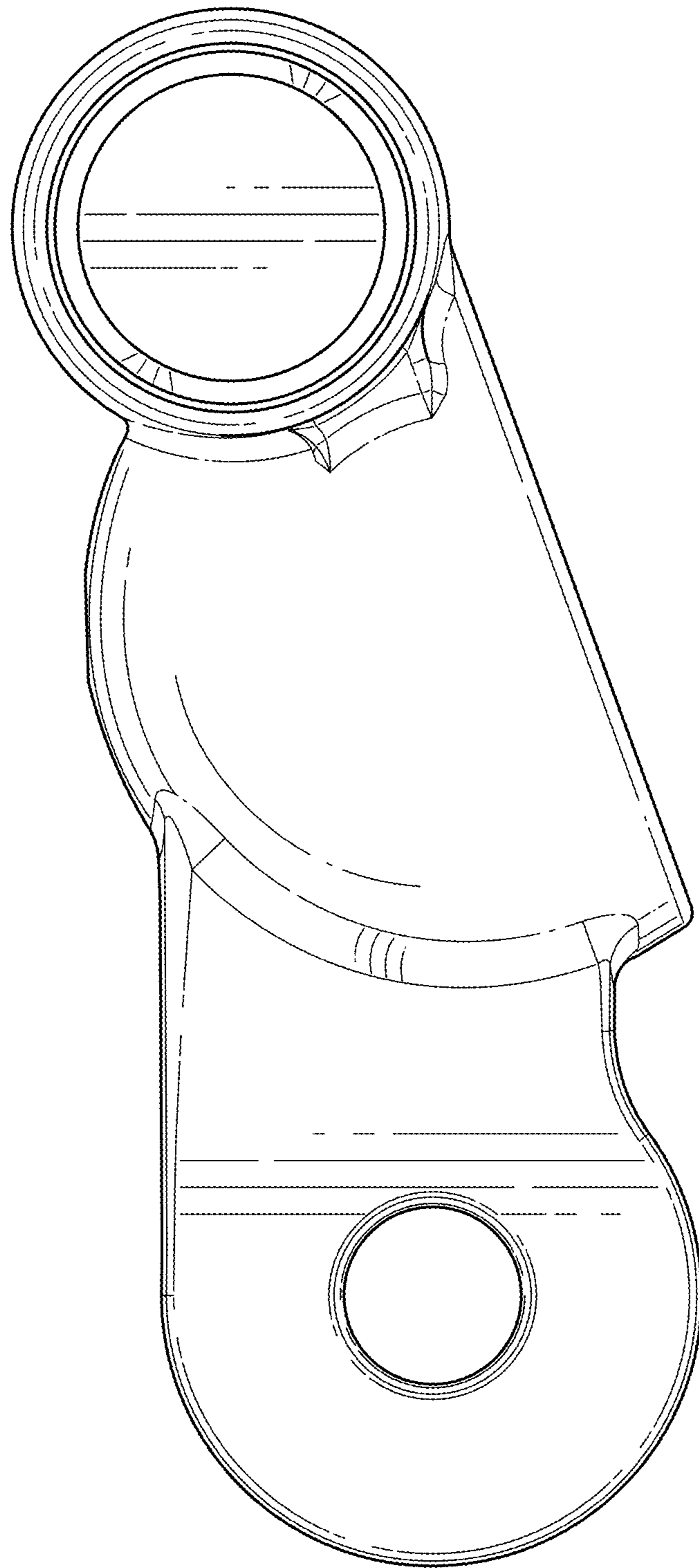


FIG. 5

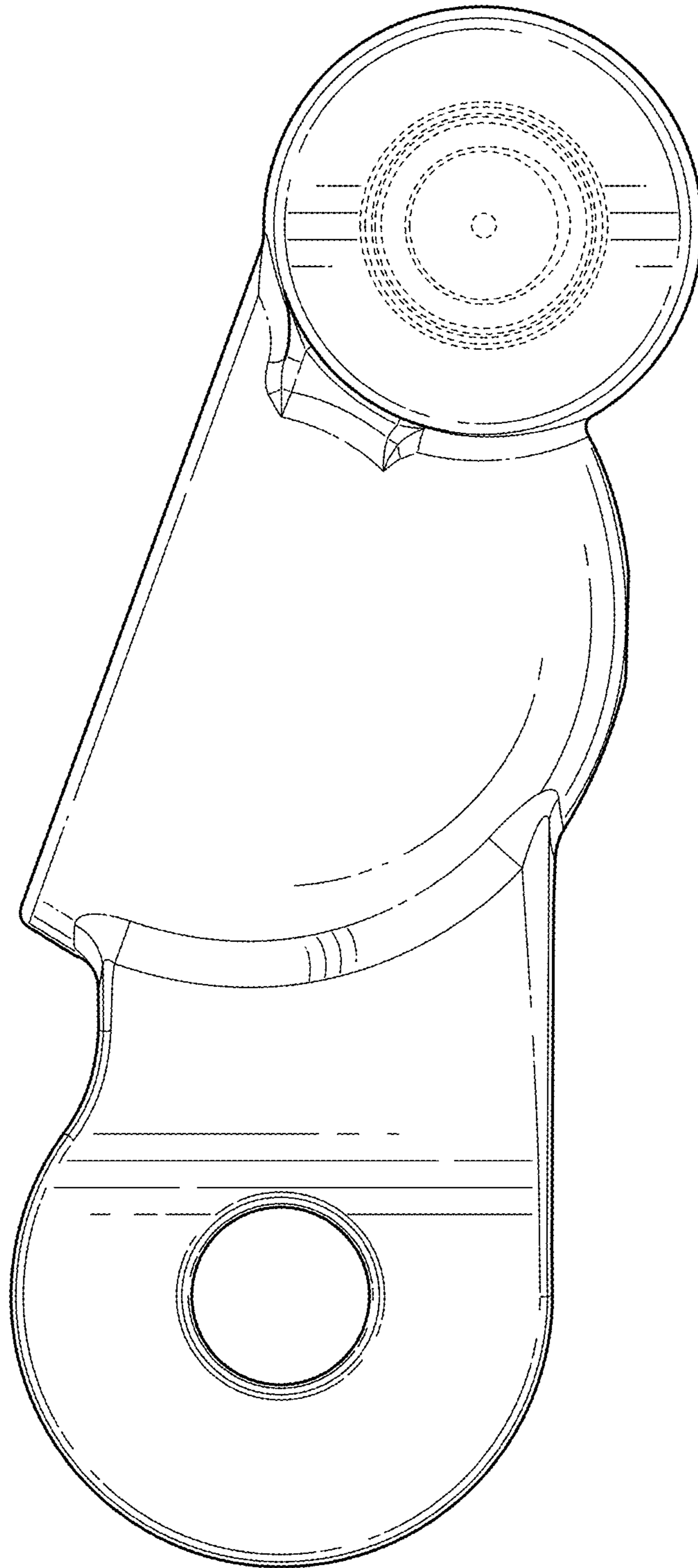


FIG. 6

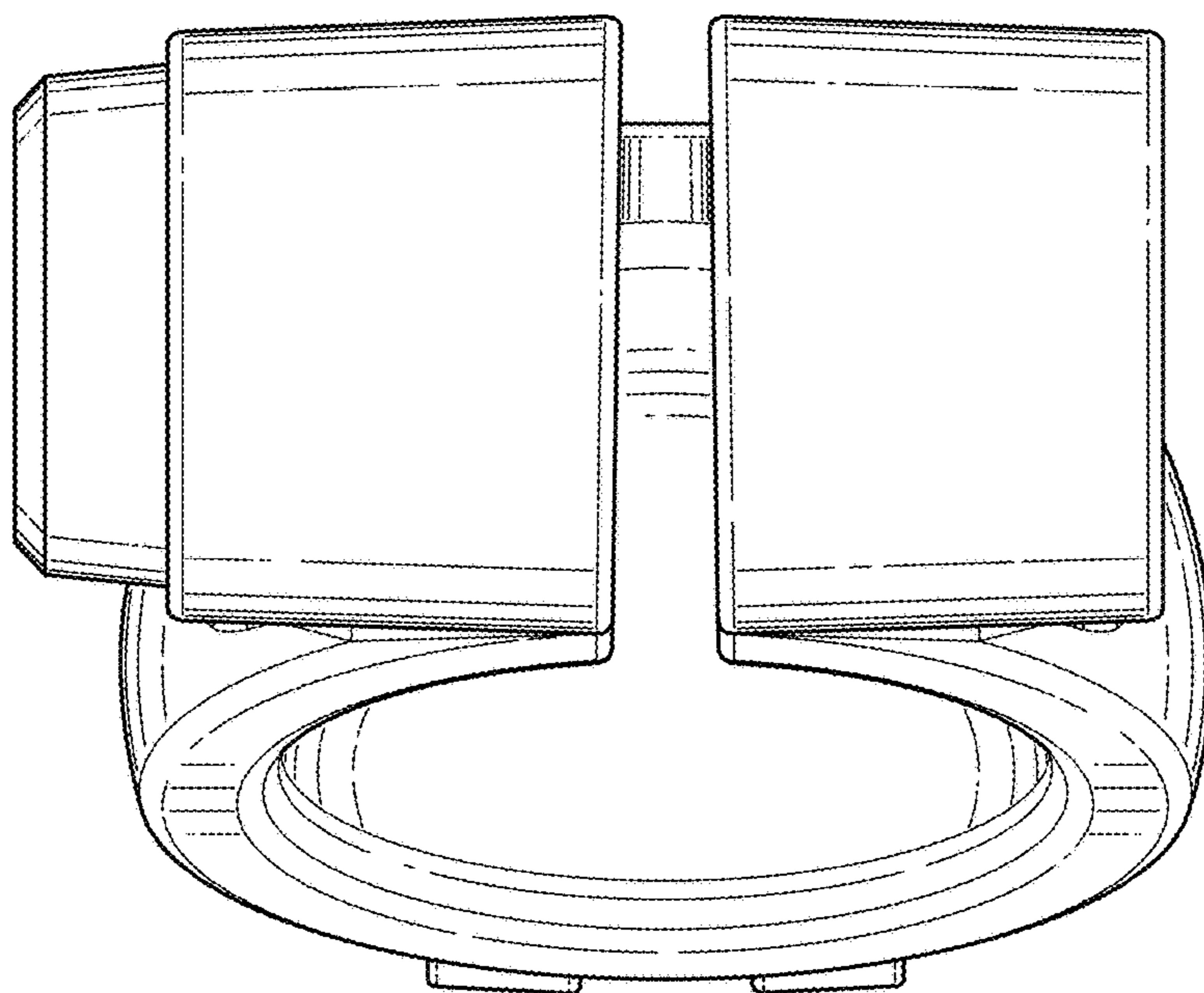


FIG. 7

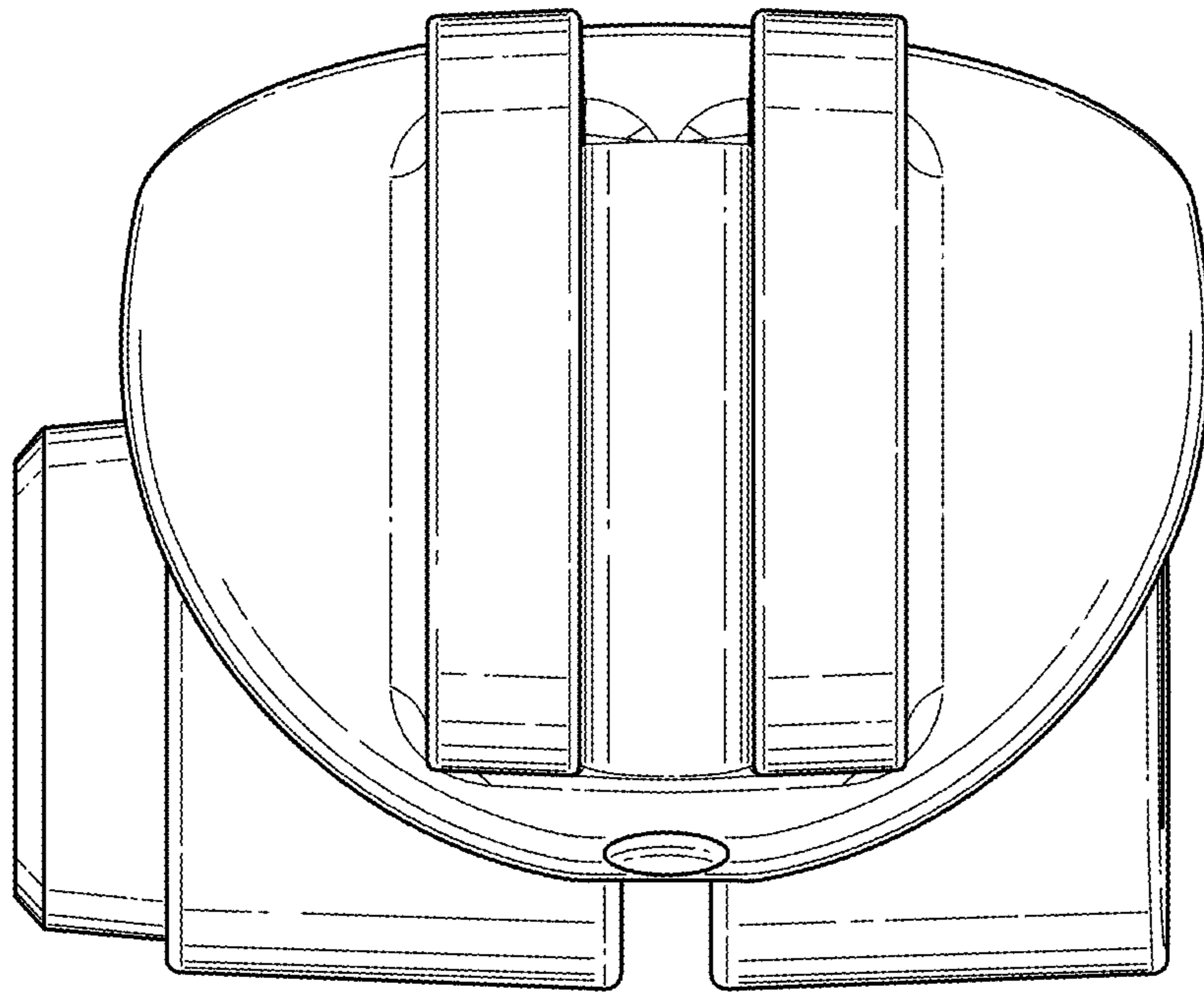


FIG. 8