

US00D777239S

(12) **United States Design Patent** (10) **Patent No.:** **US D777,239 S**
Costa et al. (45) **Date of Patent:** **** Jan. 24, 2017**

(54) **CAMERA HOUSING BALL MOUNT**

(71) Applicant: **GoPro, Inc.**, San Mateo, CA (US)

(72) Inventors: **Mark E. Costa**, Menlo Park, CA (US);
Huy Phuong Nguyen, San Mateo, CA (US)

(73) Assignee: **GoPro, Inc.**, San Mateo, CA (US)

(**) Term: **15 Years**

(21) Appl. No.: **29/550,002**

(22) Filed: **Dec. 29, 2015**

(51) **LOC (10) Cl.** **16-05**

(52) **U.S. Cl.**
USPC **D16/242**

(58) **Field of Classification Search**
USPC D16/200, 204, 208, 213, 219, 235,
D16/237-250; D14/251; D8/313, 349,
D8/382, 383; D15/2-6, 138, 144;
D12/162
CPC G03B 17/56; G03B 17/561-17/568;
G03B 15/041-15/0436; G02B 7/00-7/002
See application file for complete search history.

(56) **References Cited**

U.S. PATENT DOCUMENTS

D469,338 S *	1/2003	Chace	D8/349
D563,486 S *	3/2008	Slater	D21/498
D647,935 S *	11/2011	Raken	D16/202
D692,507 S *	10/2013	Meys	D21/498
D727,387 S *	4/2015	Hasegawa	D16/203

D730,423 S *	5/2015	Vandenbussche	D16/218
D745,589 S *	12/2015	Lee	D16/218
D752,671 S *	3/2016	Harrison	D16/200
D752,672 S *	3/2016	Clearman	D16/200
D759,141 S *	6/2016	Bacon	D16/200
D759,145 S *	6/2016	Lee	D16/219
D760,312 S *	6/2016	Lee	D16/218
D762,759 S *	8/2016	Wu	D16/218
D768,228 S *	10/2016	Muhlenkamp, IV	D16/207
2011/0317065 A1 *	12/2011	Lin	G03B 17/02 348/373
2015/0316835 A1 *	11/2015	Scott	G03B 17/561 396/419

* cited by examiner

Primary Examiner — Vy Koenig

Assistant Examiner — Omeed Agilee

(74) *Attorney, Agent, or Firm* — Fenwick & West LLP

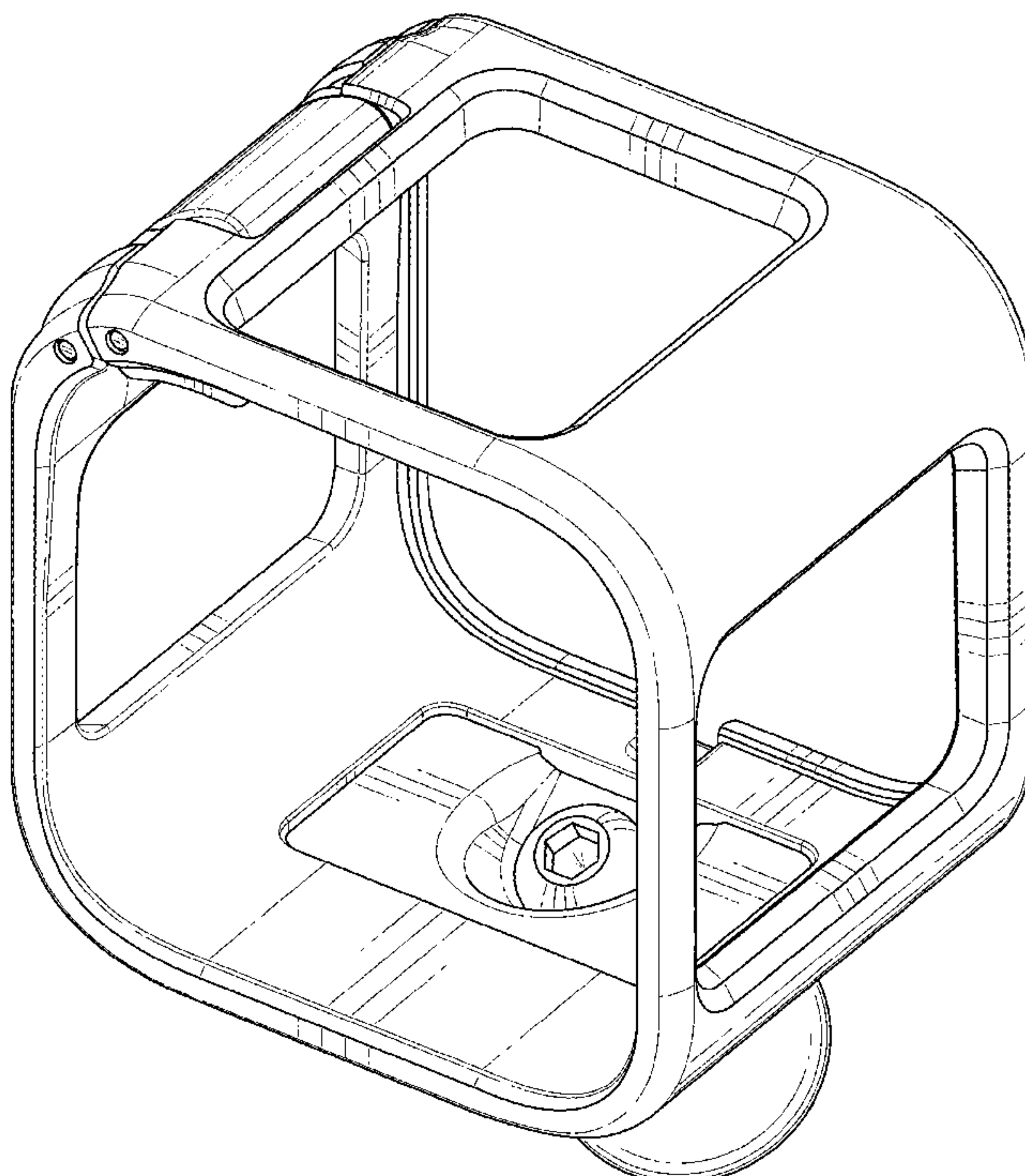
(57) **CLAIM**

The ornamental design for a camera housing ball mount, as shown and described.

DESCRIPTION

FIG. 1 is a front, top, and right perspective view of a camera housing ball mount;
 FIG. 2 is a rear, bottom, and left perspective view thereof;
 FIG. 3 is a front, top, and left perspective view thereof;
 FIG. 4 is a rear, bottom, and right perspective view thereof;
 FIG. 5 is a front view thereof;
 FIG. 6 is a rear view thereof;
 FIG. 7 is a right view thereof;
 FIG. 8 is a left view thereof;
 FIG. 9 is a top view thereof; and,
 FIG. 10 is a bottom view thereof.

1 Claim, 10 Drawing Sheets



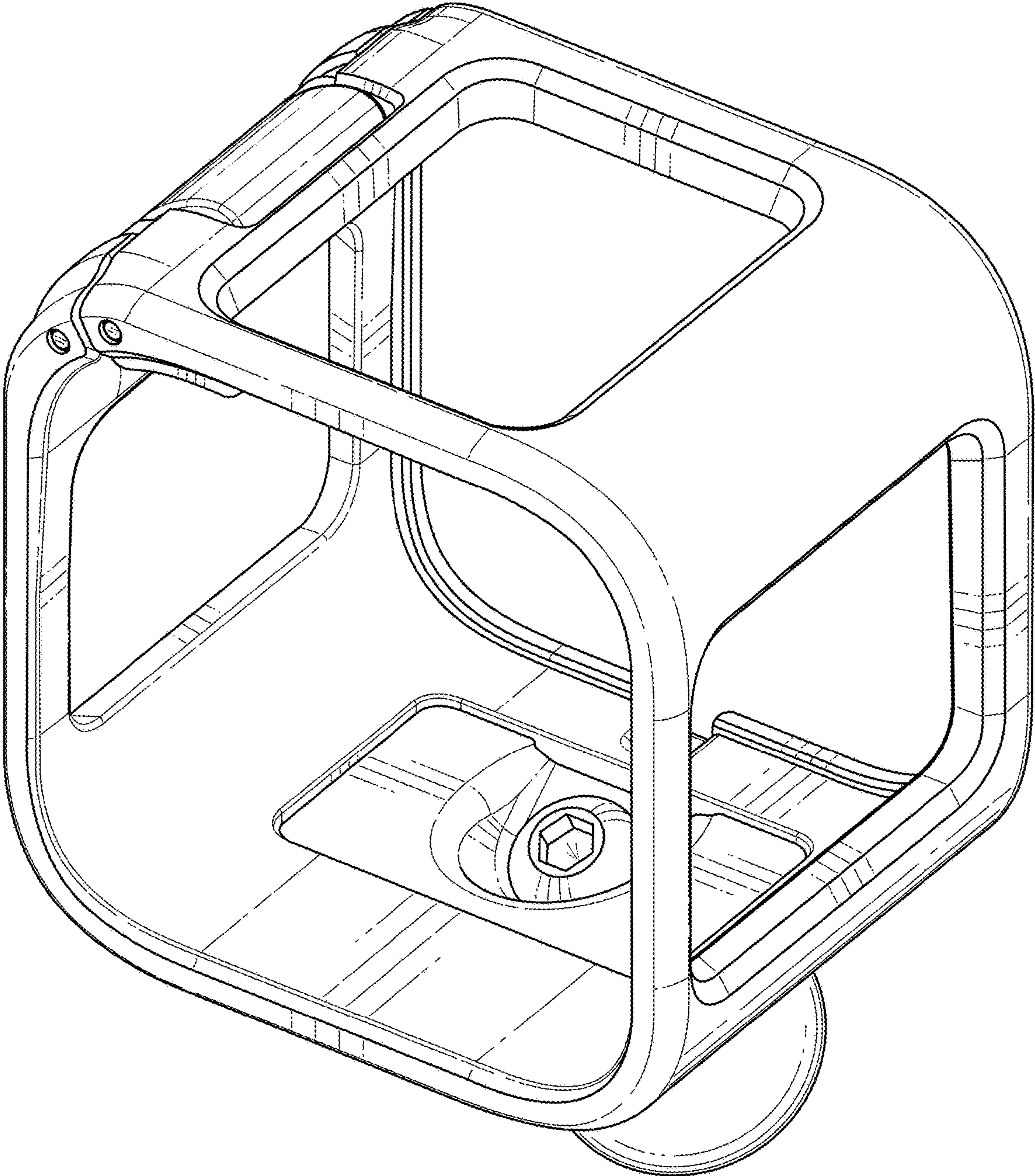


FIG. 1

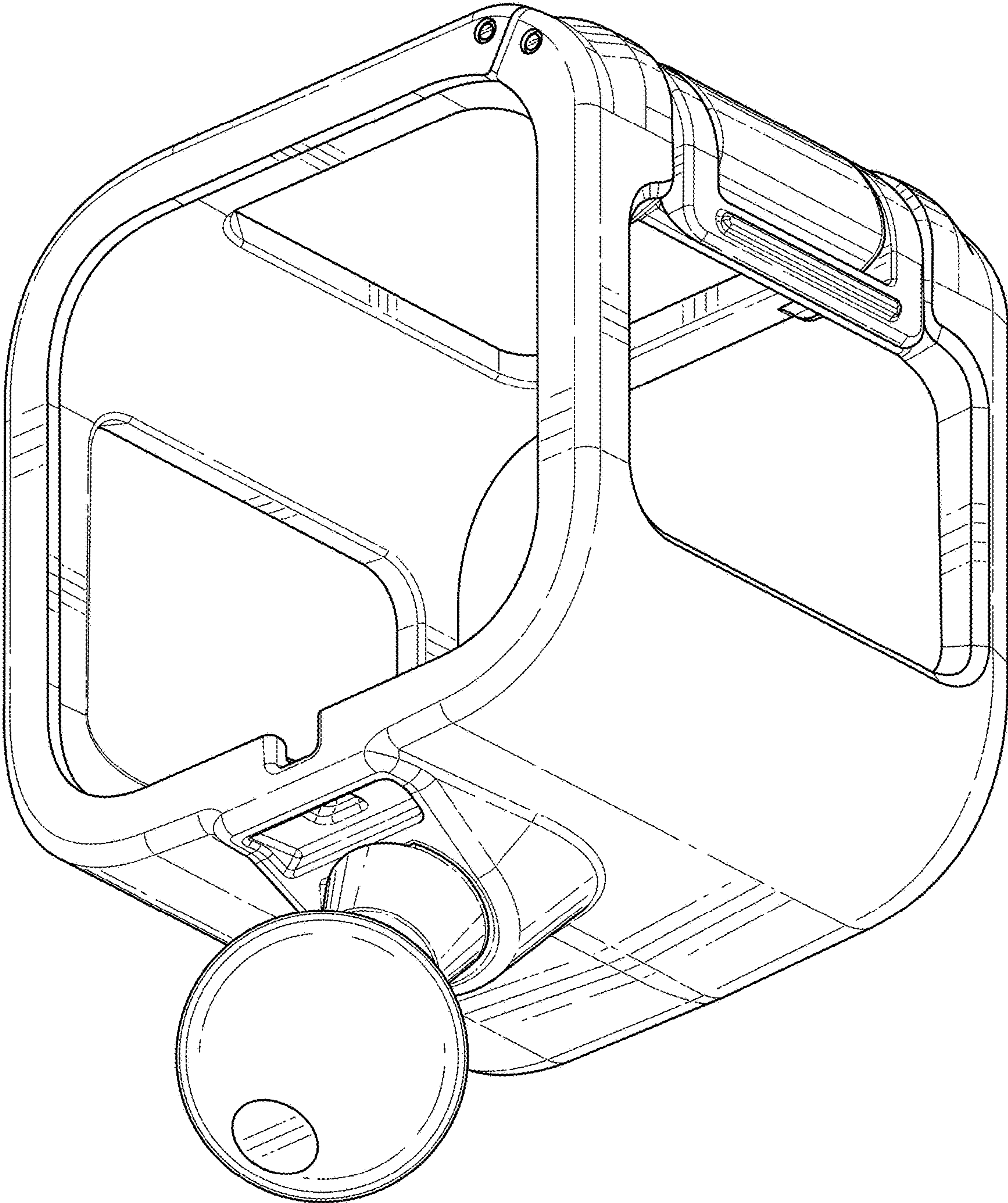


FIG. 2

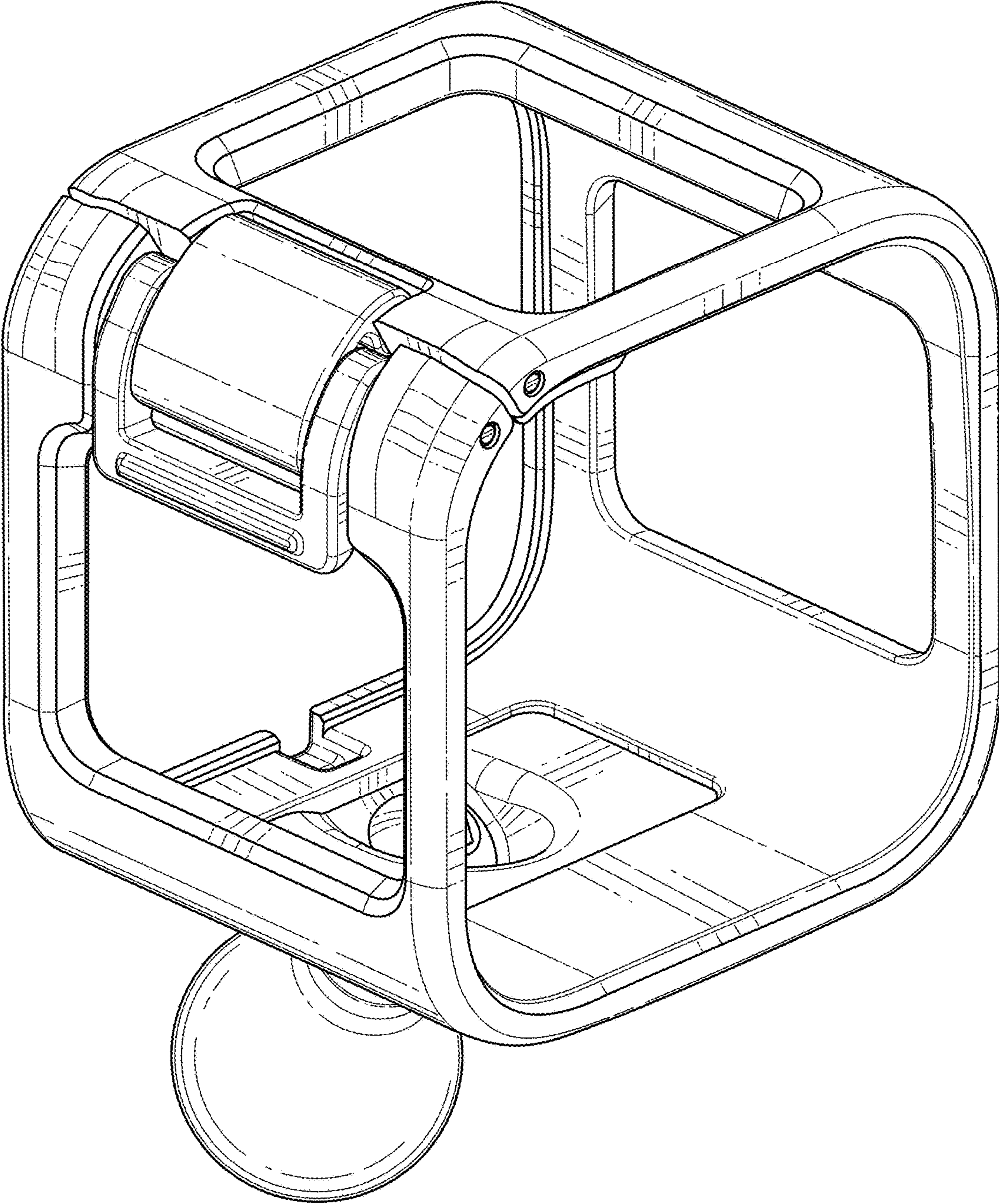


FIG. 3

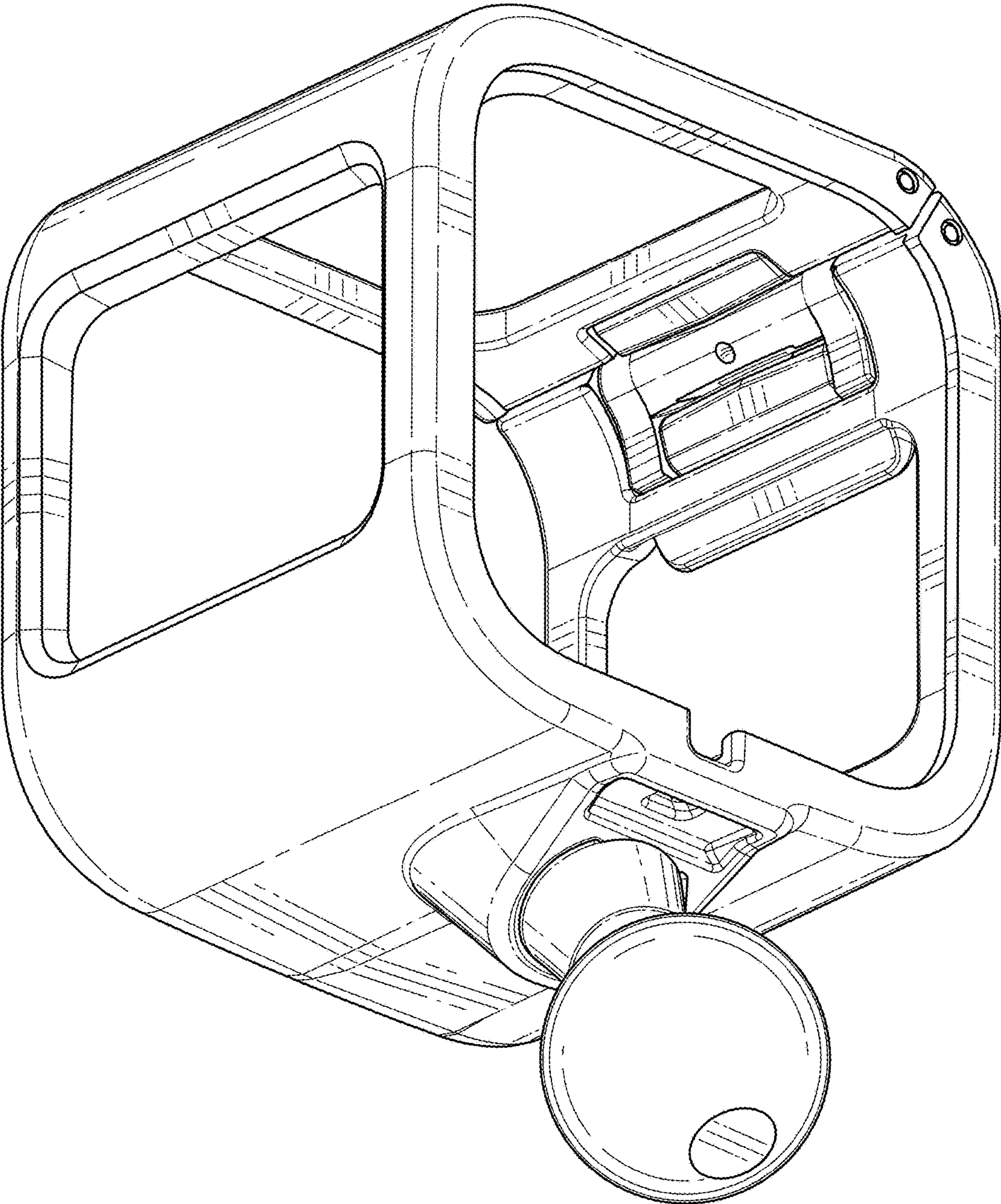


FIG. 4

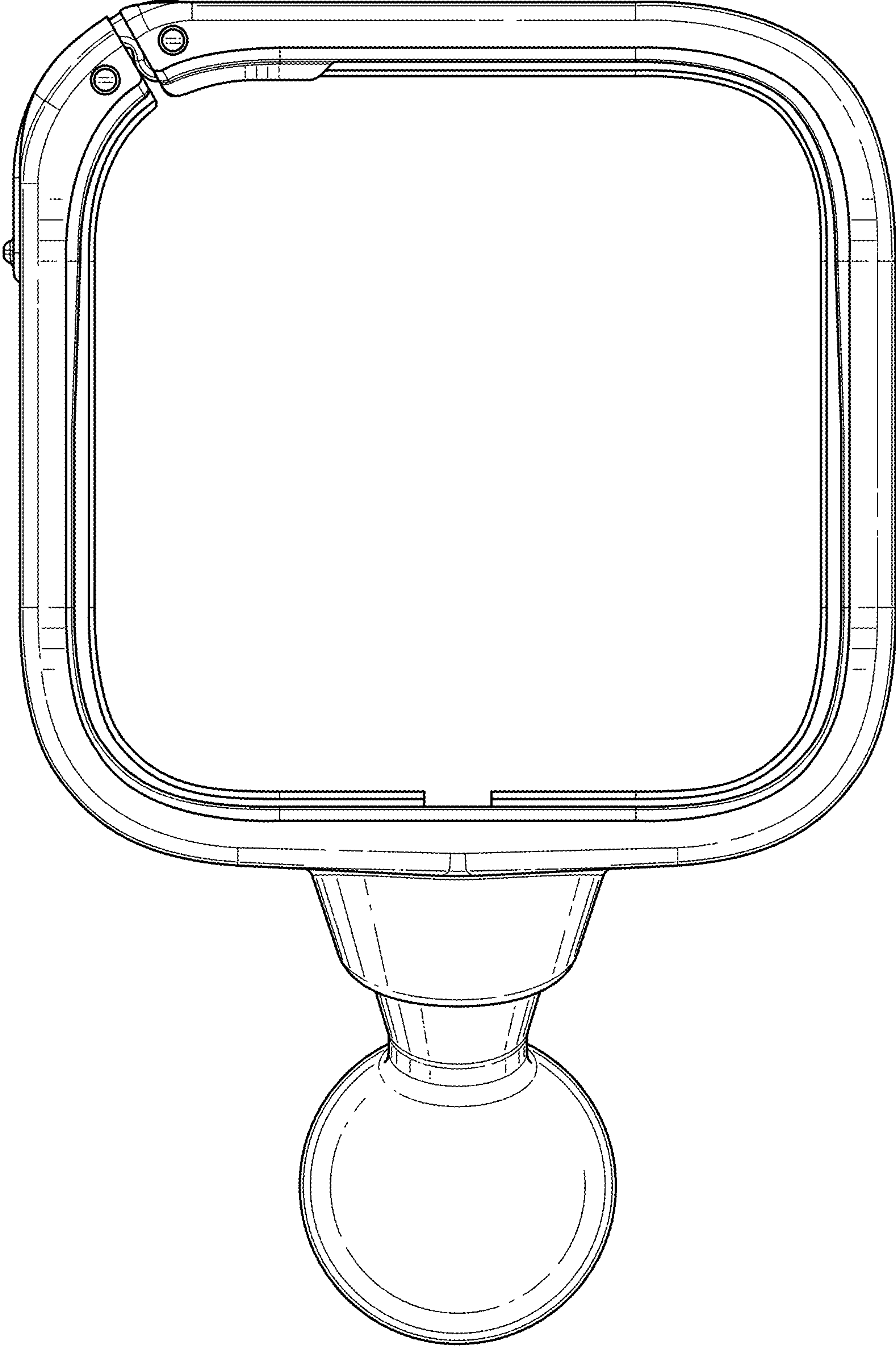


FIG. 5

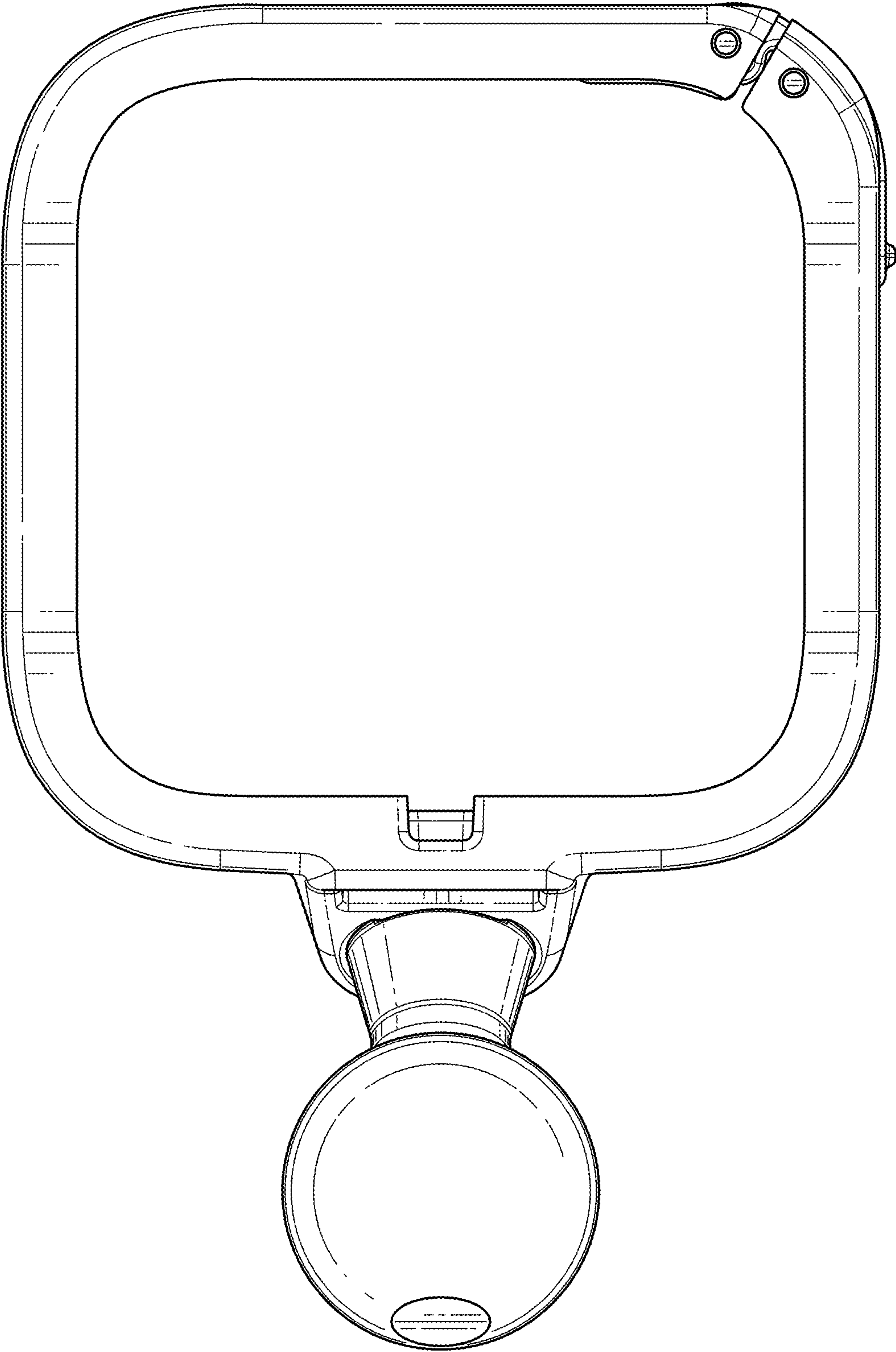


FIG. 6

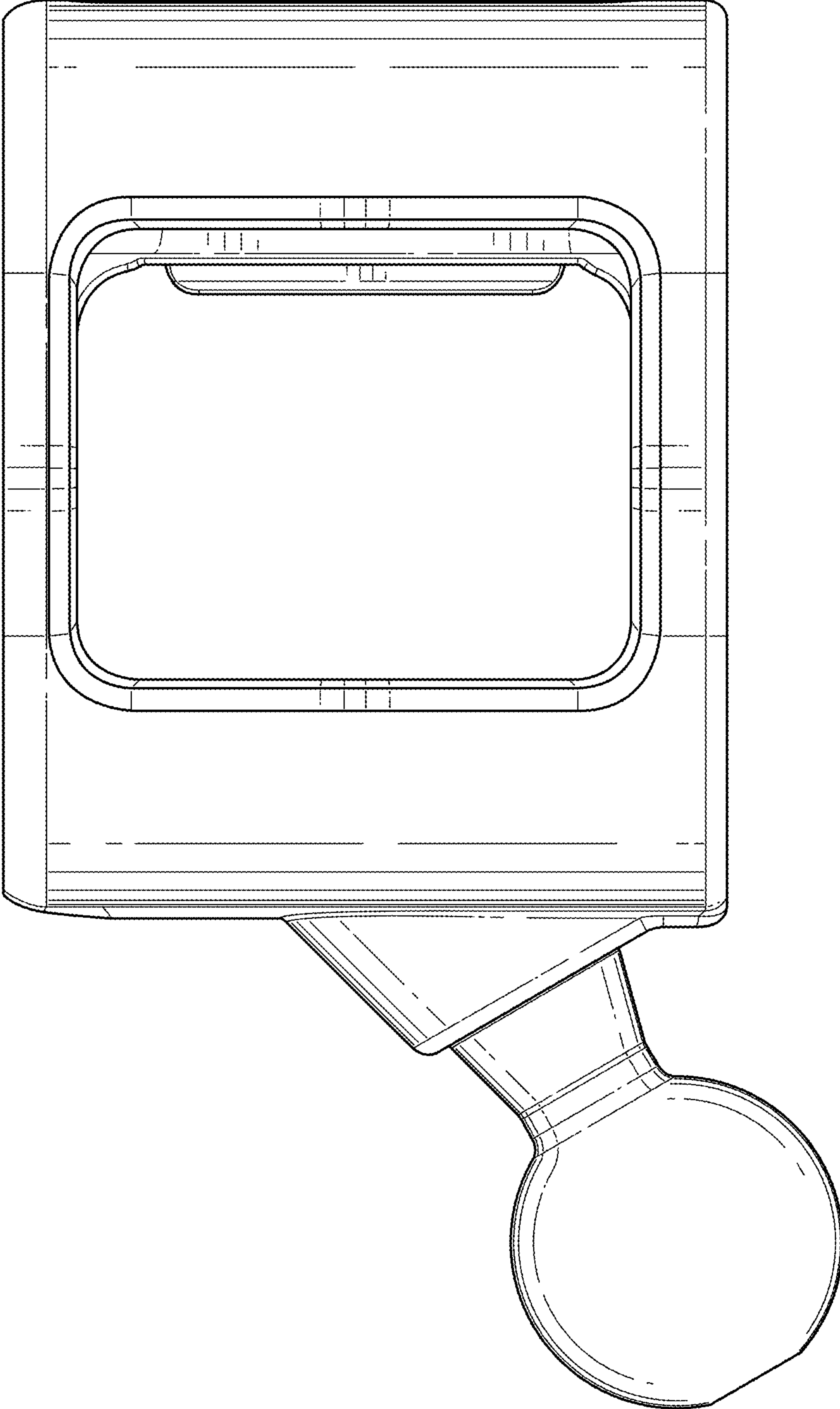


FIG. 7

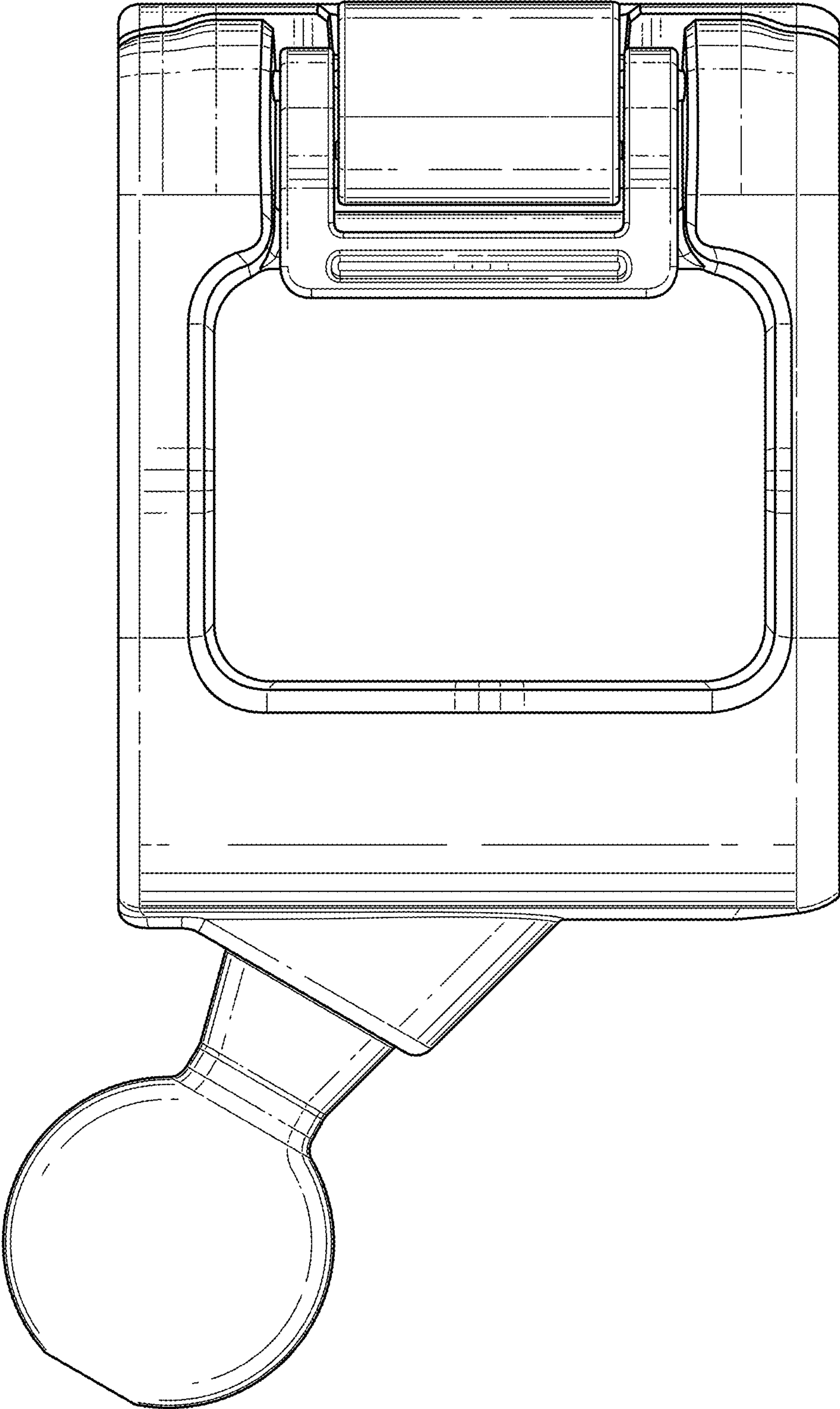


FIG. 8

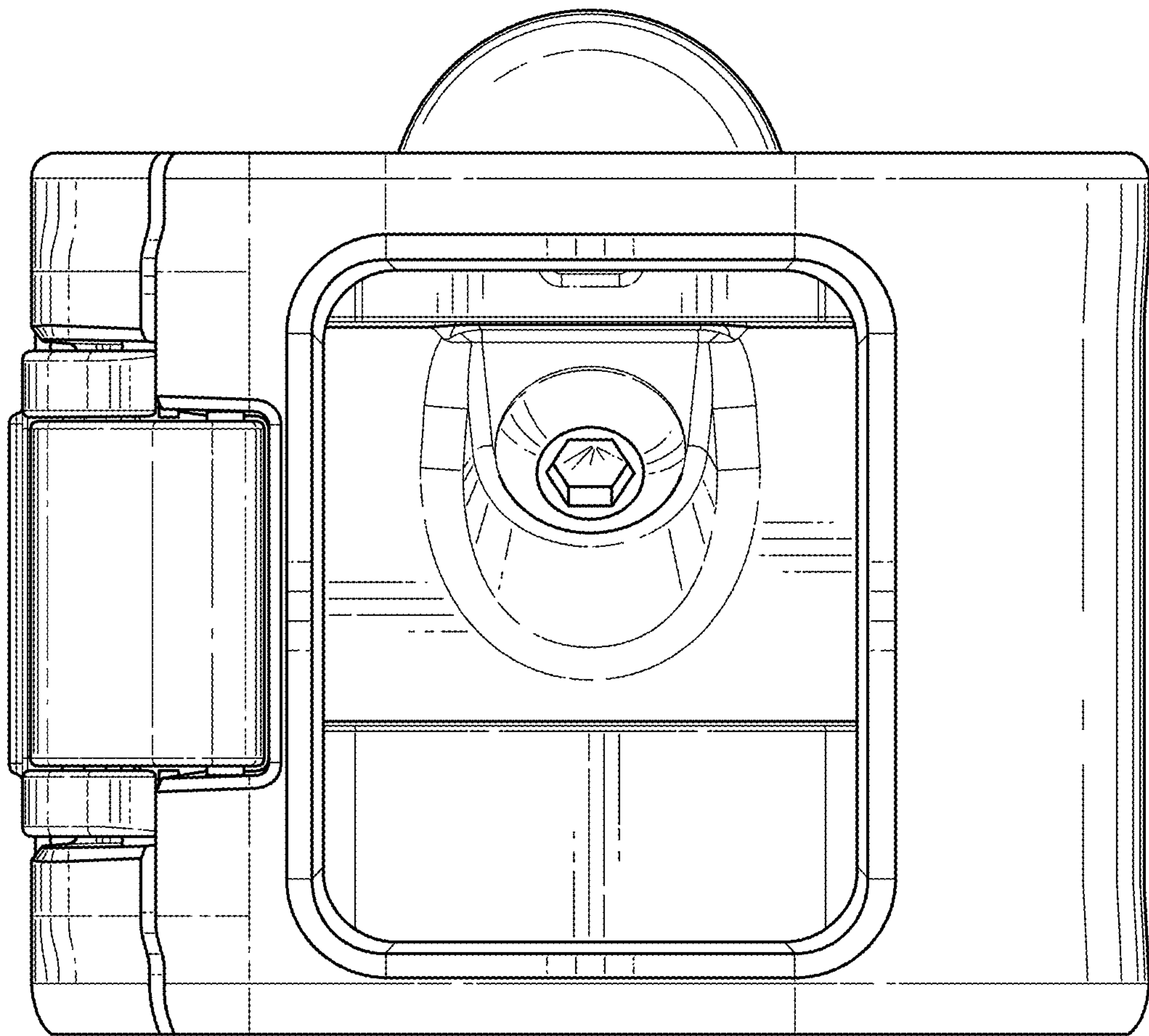


FIG. 9

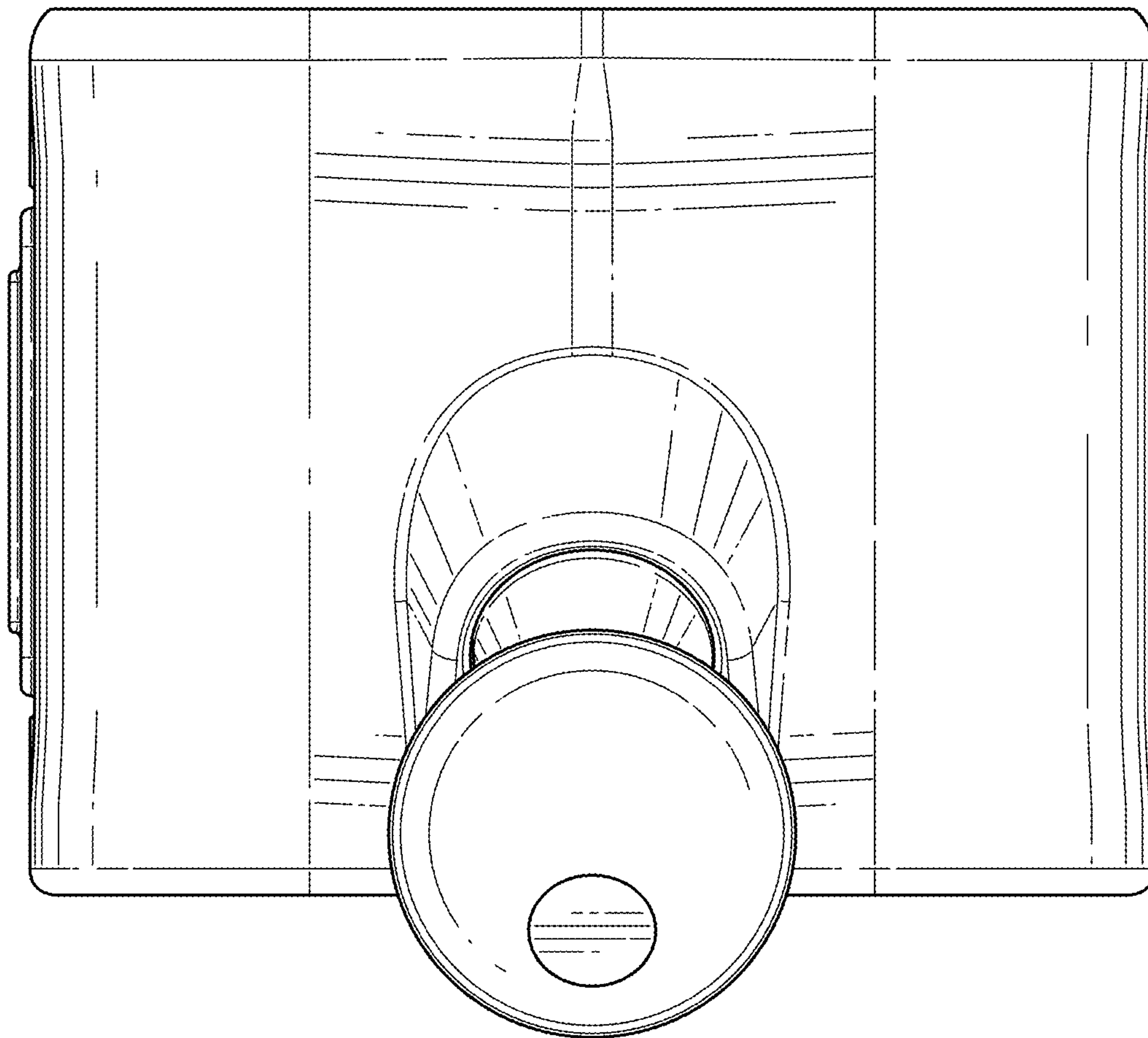


FIG. 10