



US00D777238S

(12) **United States Design Patent**  
**Onodera et al.**

(10) **Patent No.:** **US D777,238 S**  
(45) **Date of Patent:** **\*\* Jan. 24, 2017**

(54) **LIGHT SOURCE DEVICE FOR PROJECTOR**

(71) Applicant: **SEIKO EPSON CORPORATION**,  
Tokyo (JP)

(72) Inventors: **Hiroshi Onodera**, Matsumoto (JP);  
**Takahiro Takizawa**, Matsumoto (JP)

(73) Assignee: **SEIKO EPSON CORPORATION**,  
Tokyo (JP)

(\*\*) Term: **15 Years**

(21) Appl. No.: **29/539,335**

(22) Filed: **Sep. 14, 2015**

**Related U.S. Application Data**

(63) Continuation of application No. 14/066,043, filed on Oct. 29, 2013, which is a continuation of application No. 13/782,634, filed on Mar. 1, 2013, now Pat. No. 8,596,797, which is a continuation of application No. 12/578,983, filed on Oct. 14, 2009, now Pat. No. 8,408,714.

(51) **LOC (10) Cl.** ..... **16-02**

(52) **U.S. Cl.**  
USPC ..... **D16/235**

(58) **Field of Classification Search**  
USPC ..... D16/221, 225, 235; D26/1, 24  
CPC ..... G03B 21/16; G03B 21/20; G03B 21/2026;  
F21V 29/00; F21V 29/02; H01J  
7/24; H01J 61/52; H01J 61/523; H01J  
61/526; H04N 9/3144  
See application file for complete search history.

(56) **References Cited**

**U.S. PATENT DOCUMENTS**

6,398,366 B1 6/2002 Hara et al.  
6,497,489 B1 12/2002 Li et al.

6,527,417 B2 3/2003 Basey  
6,966,654 B2 11/2005 Ozawa et al.  
6,976,760 B2 12/2005 Ito et al.  
7,029,123 B2 4/2006 Gishi et al.  
7,040,763 B2 5/2006 Shiraishi et al.  
7,083,286 B2 8/2006 Kim et al.

(Continued)

**FOREIGN PATENT DOCUMENTS**

CN 301114175 1/2010  
CN 101725865 A 6/2010

(Continued)

**OTHER PUBLICATIONS**

Non-Final Office Action received in U.S. Appl. No. 12/578,983; Mar. 1, 2012.

(Continued)

*Primary Examiner* — Wan Laymon

(57) **CLAIM**

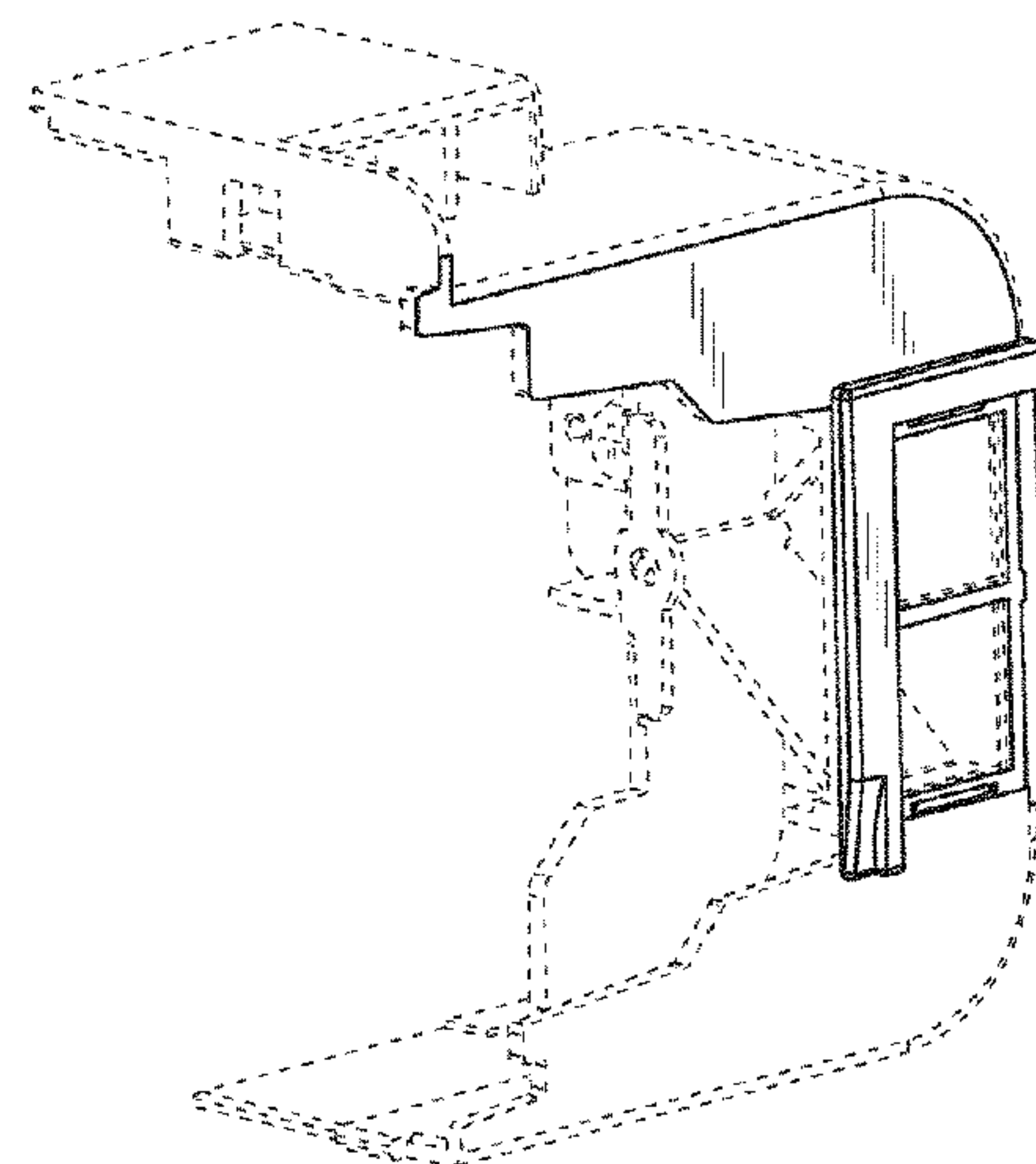
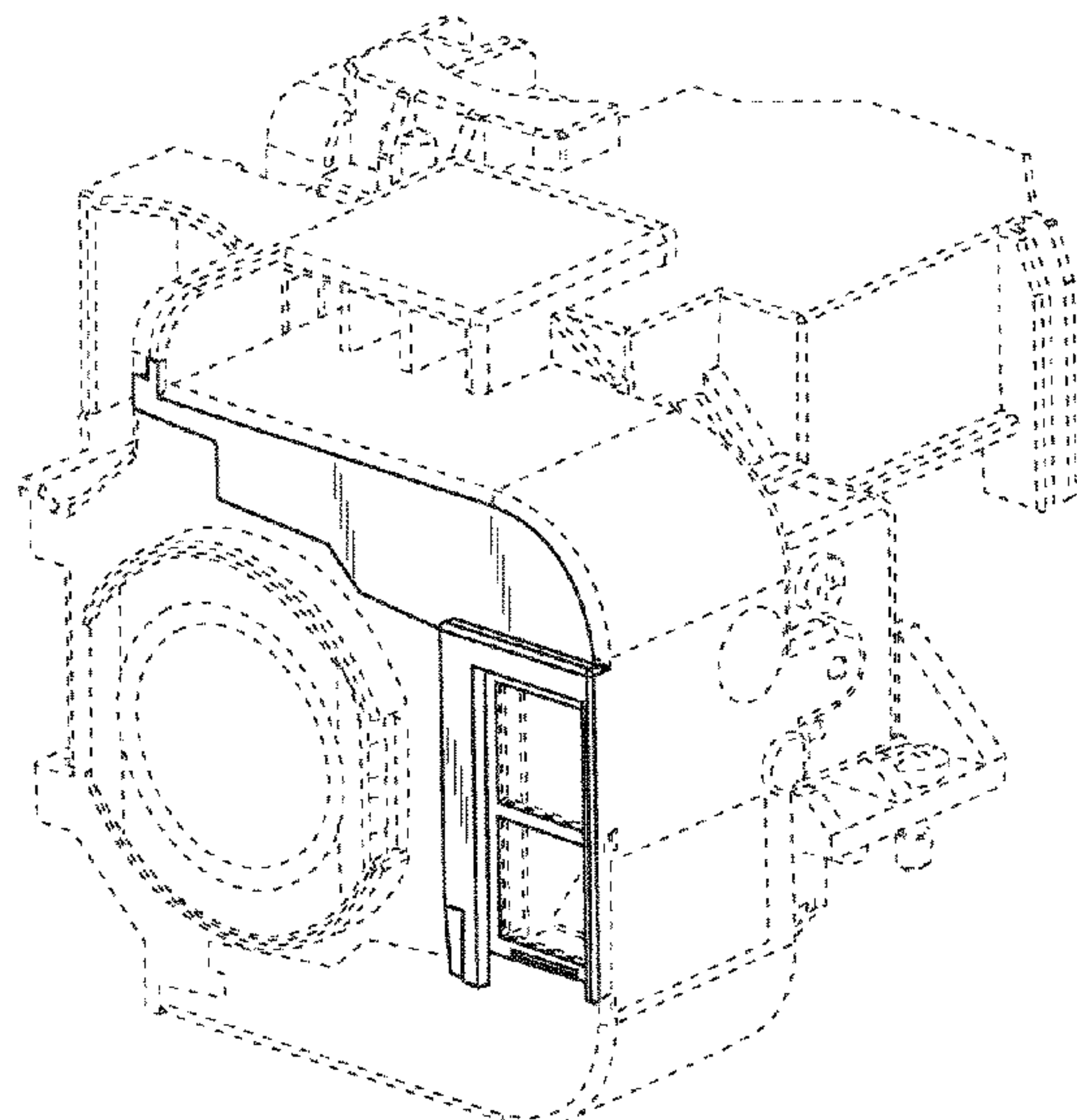
The ornamental design for a light source device for projector, as shown and described.

**DESCRIPTION**

FIG. 1 is a front, top and right side perspective view of a light source device for projector showing our new design; FIG. 2 is a front, top and left side perspective view thereof; FIG. 3 is a perspective view of a duct member, separately shown for clarity of illustration; and, FIG. 4 is a rear, top and right side perspective view of a light source device for projector.

The features shown in broken lines in the drawings depict environmental subject matter only and form no part of the claimed design.

**1 Claim, 4 Drawing Sheets**



(56)

References Cited

U.S. PATENT DOCUMENTS

7,188,973	B2	3/2007	Katsuma	
7,210,825	B2	5/2007	Watanabe et al.	
7,448,777	B2	11/2008	Chen et al.	
D583,849	S *	12/2008	Uchida .....	D16/235
7,513,626	B2	4/2009	Adachi et al.	
D605,684	S	12/2009	Takizawa	
7,832,872	B2	11/2010	Chen et al.	
7,934,839	B2	5/2011	Noda	
8,011,788	B2	9/2011	Chang	
8,408,714	B2	4/2013	Onodera et al.	
8,596,797	B2	12/2013	Onodera et al.	
9,063,400	B2 *	6/2015	Tanaka .....	G03B 21/16
2003/0076683	A1	4/2003	Chang	
2005/0073841	A1	4/2005	Imamura	
2006/0170876	A1	8/2006	Takemi et al.	
2007/0115439	A1	5/2007	Takezawa	
2008/0218050	A1	9/2008	Soma et al.	
2010/0026966	A1	2/2010	Nakano	
2011/0051098	A1	3/2011	Kobayashi et al.	
2011/0216287	A1	9/2011	Kitamura et al.	
2014/0055759	A1	2/2014	Onodera et al.	
2015/0371841	A1 *	12/2015	Onodera .....	G03B 21/16 353/52

FOREIGN PATENT DOCUMENTS

EM	001144299-0001	5/2009
JP	2001-076505 A	3/2001

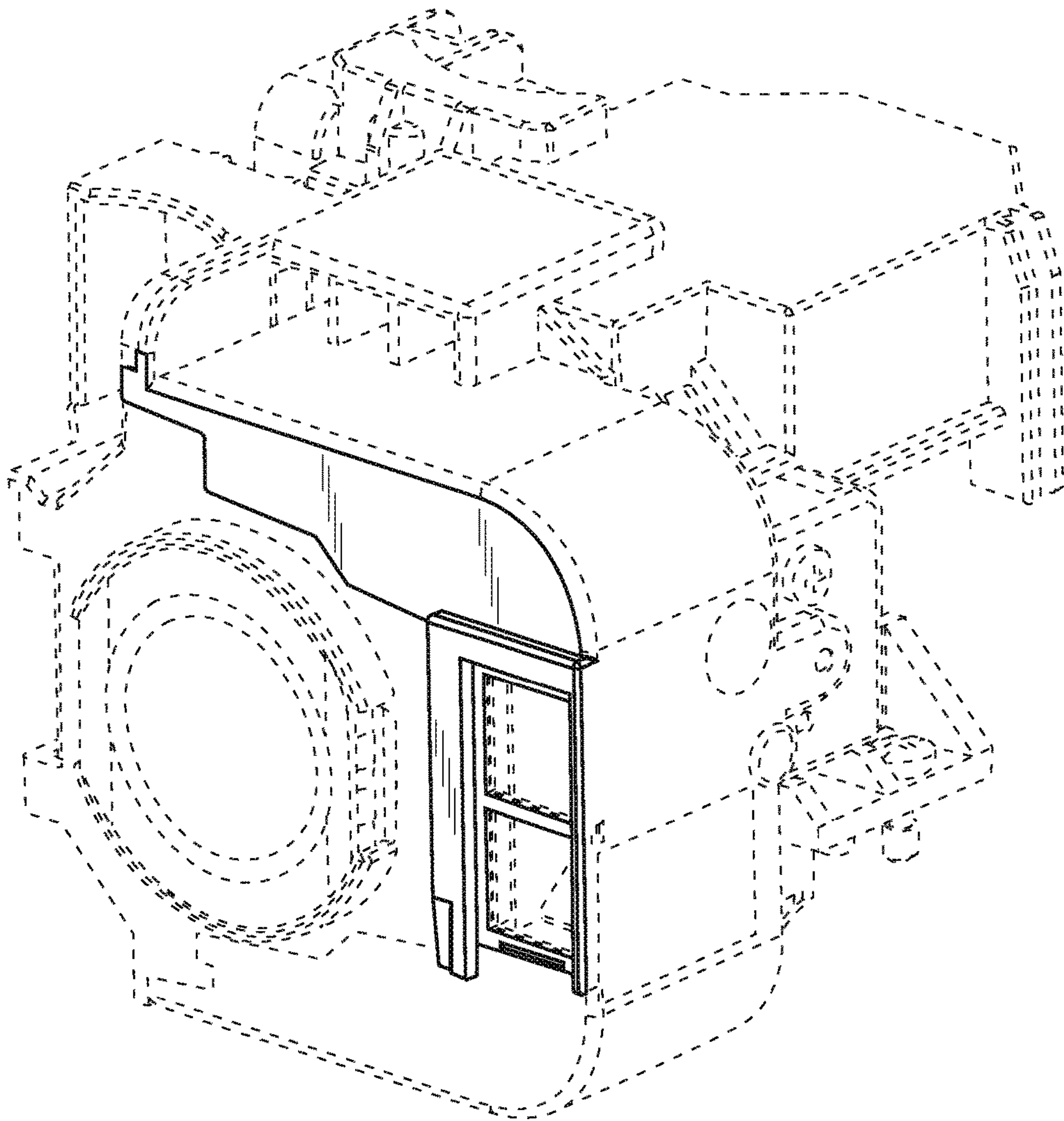
JP	2002-189247 A	7/2002
JP	2002-298639 A	10/2002
JP	2005-10505 A	1/2005
JP	2005-24735 A	1/2005
JP	2005-107470 A	4/2005
JP	2005-116303 A	4/2005
JP	2005-249930 A	9/2005
JP	2006-086086 A	3/2006
JP	2006-091132 A	4/2006
JP	2006-106656 A	4/2006
JP	2006-178260 A	7/2006
JP	2008-226569 A	9/2008
JP	D1375354 S	12/2009
JP	5217904 B2	6/2013
JP	5435119 B2	3/2014
JP	5482929 B2	5/2014
JP	2014-132583 A	7/2014
JP	2015-084119 A	4/2015
JP	2015-084120 A	4/2015
KR	30-0563992 S	6/2010
TW	D132522 S	12/2009

OTHER PUBLICATIONS

Final Office Action received in U.S. Appl. No. 12/578,983; Jun. 21, 2012.  
 Notice of Allowance and Notice of Allowability received in U.S. Appl. No. 12/578,983; Jan. 9, 2013.  
 Notice of Allowance and Notice of Allowability received in U.S. Appl. No. 13/782,634; Jul. 30, 2013.

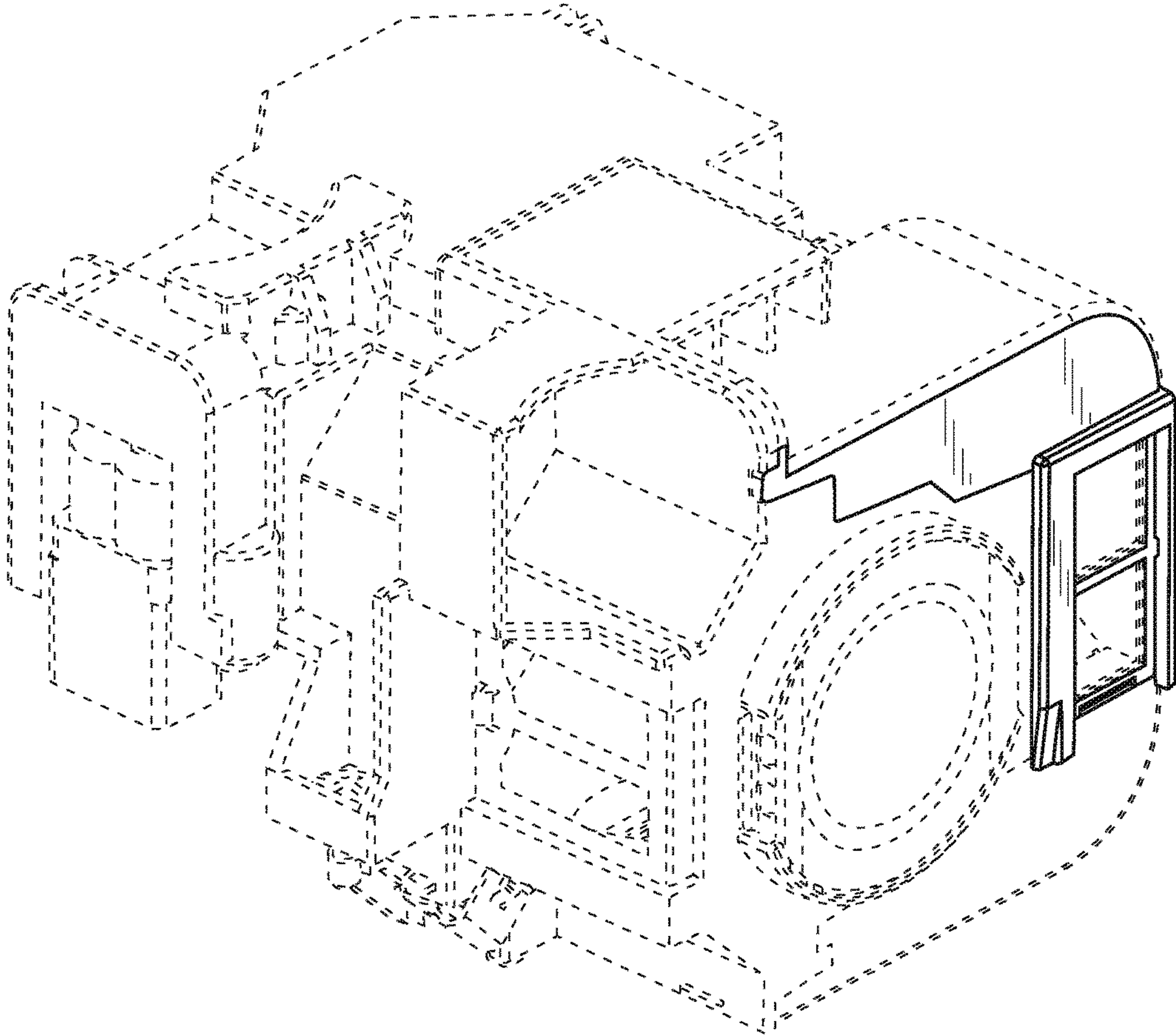
\* cited by examiner

*FIG. 1*

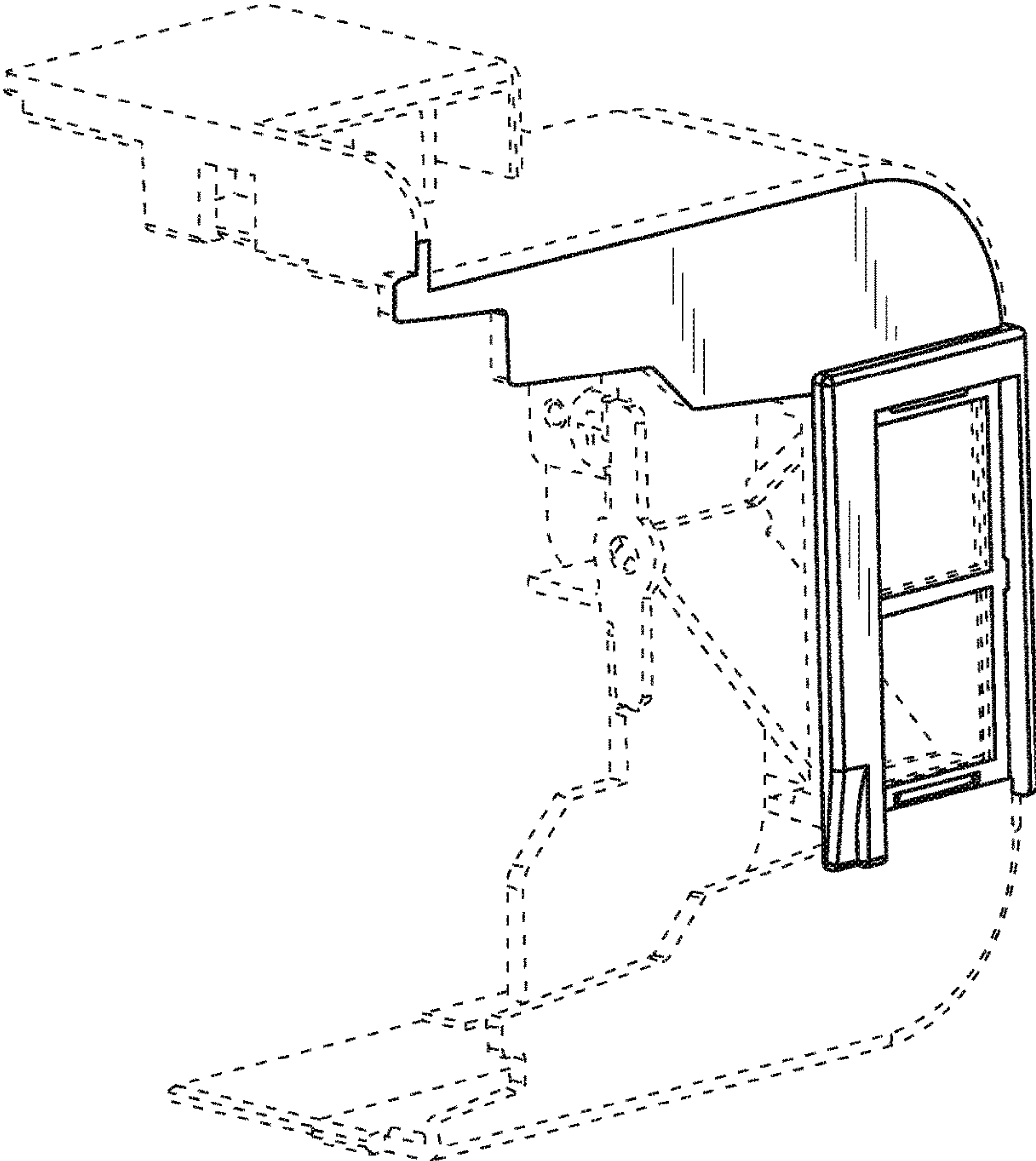




*FIG. 2*



*FIG. 3*



**FIG. 4**

