



US00D777236S

(12) **United States Design Patent**  
**Mai et al.**

(10) **Patent No.:** **US D777,236 S**  
(45) **Date of Patent:** **\*\* Jan. 24, 2017**

(54) **CAMERA**

(71) Applicant: **ALTEK CORPORATION**, Hsinchu (TW)

(72) Inventors: **Chao-Chang Mai**, Taipei (TW);  
**Kuan-Yao Lee**, Taipei (TW)

(73) Assignee: **ALTEK CORPORATION**, Hsinchu (TW)

(\*\*) Term: **14 Years**

(21) Appl. No.: **29/495,690**

(22) Filed: **Jul. 3, 2014**

(30) **Foreign Application Priority Data**

Jun. 17, 2014 (TW) ..... 103303615

(51) **LOC (10) Cl.** ..... **16-01**

(52) **U.S. Cl.**  
USPC ..... **D16/218**

(58) **Field of Classification Search**  
USPC ..... D16/200, 202–206, 208–209, 212, 218,  
D16/219; 348/373–376; 396/448, 535,  
396/539–541  
CPC ..... G03B 15/03; G03B 17/02; G03B 17/04;  
G03B 17/56; G03B 19/04; H04N 5/2251;  
H04N 5/2252; H04N 5/2253; H04N  
5/2254; H04N 2101/00  
See application file for complete search history.

(56) **References Cited**

**U.S. PATENT DOCUMENTS**

D382,578 S \* 8/1997 Cieslikowski ..... D16/200  
D396,869 S \* 8/1998 Yamakawa ..... D16/202

D477,342 S \* 7/2003 Yeh ..... D16/202  
D480,741 S \* 10/2003 Berger ..... D16/202  
D515,121 S \* 2/2006 Bleau ..... D16/202  
D522,556 S \* 6/2006 Yoshida ..... D16/202  
D529,062 S \* 9/2006 Matsuda ..... D16/202  
D564,004 S \* 3/2008 Ikeda ..... D16/202  
D594,047 S \* 6/2009 Lee ..... D16/202  
D659,733 S \* 5/2012 Chen ..... D16/202  
D676,075 S \* 2/2013 Ku ..... D14/167

\* cited by examiner

*Primary Examiner* — Philip S Hyder

*Assistant Examiner* — Ramzi Almatrahi

(74) *Attorney, Agent, or Firm* — Jianq Chyun IP Office

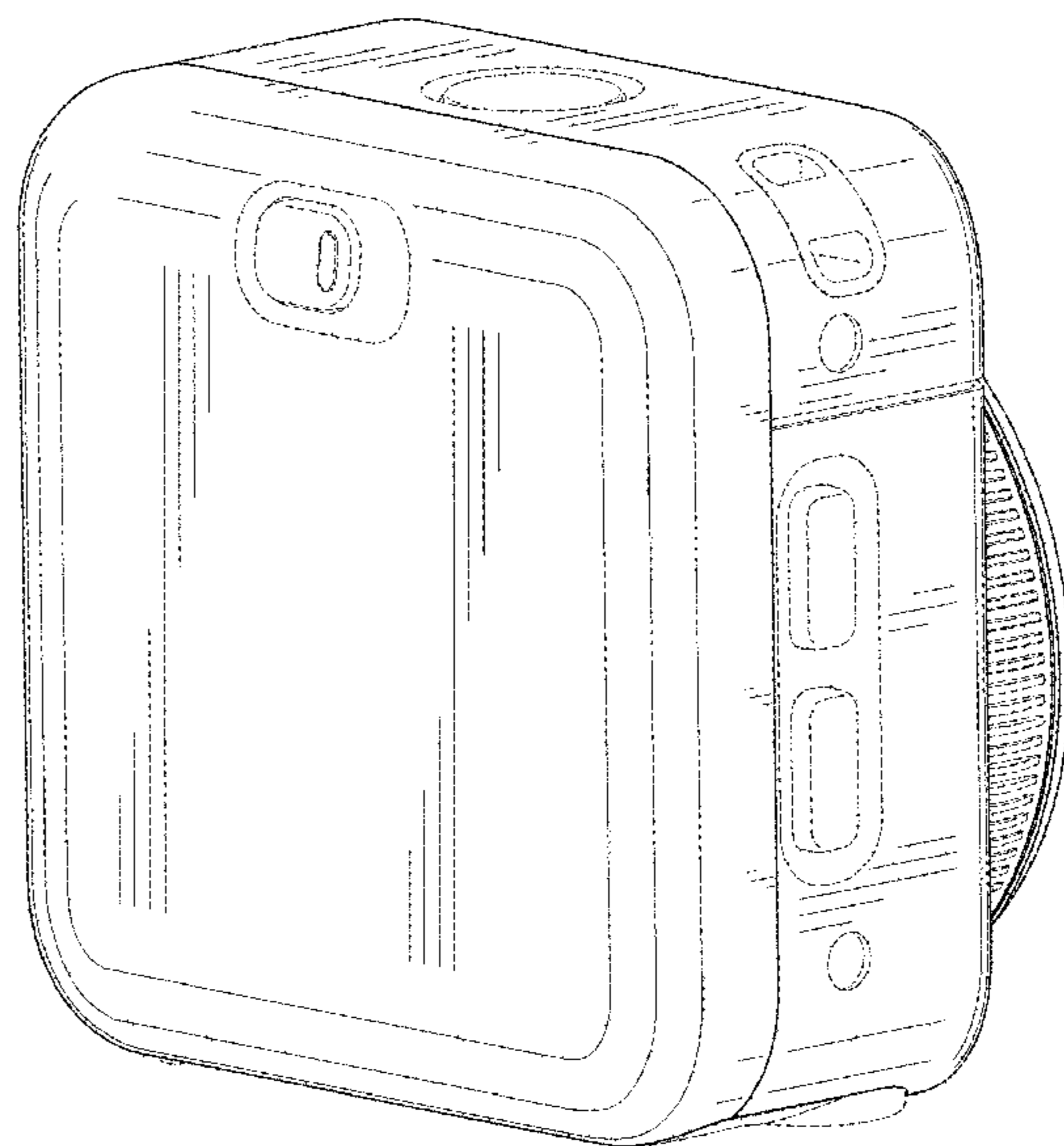
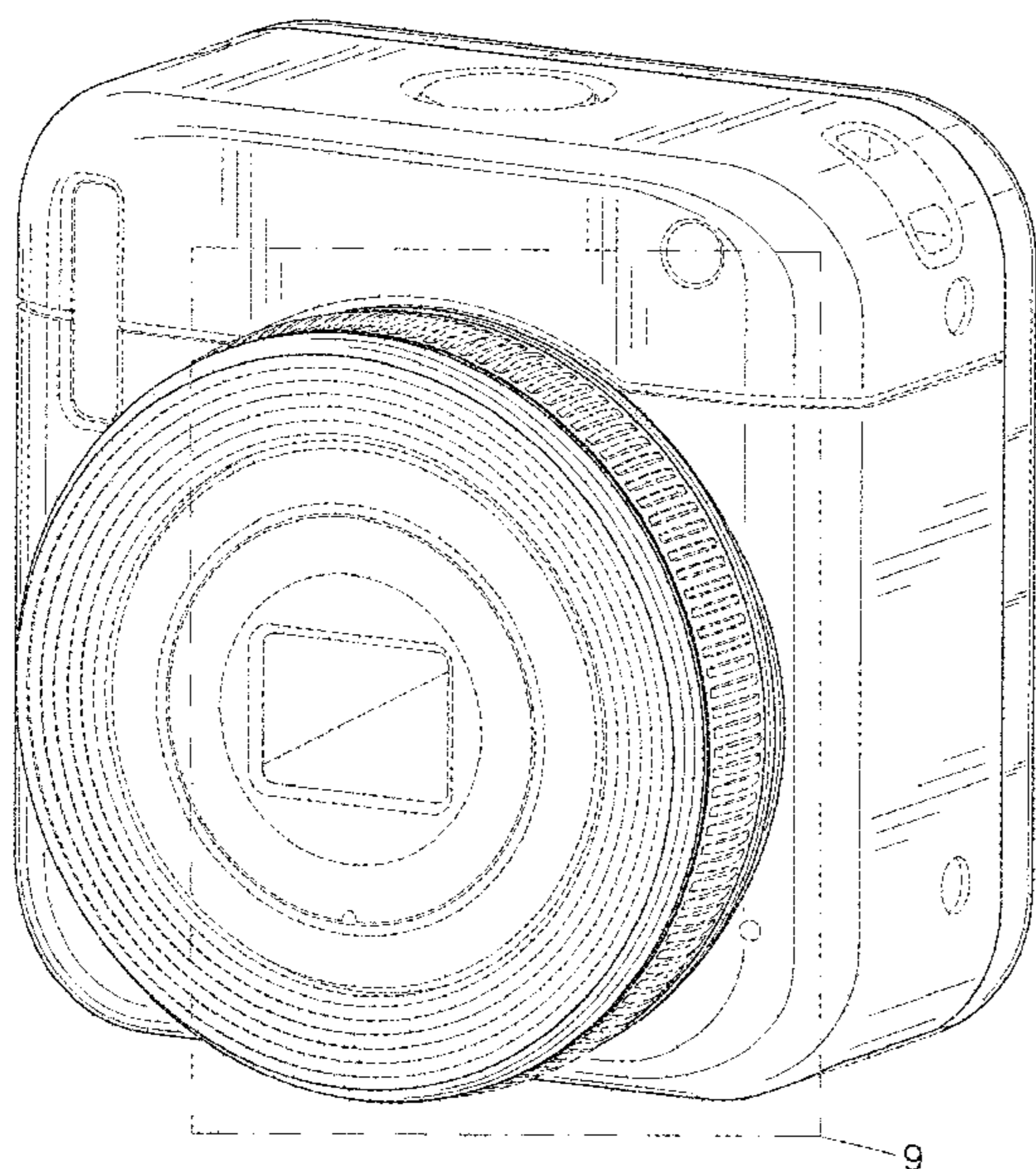
(57) **CLAIM**

The ornamental design for a camera, as shown and described.

**DESCRIPTION**

FIG. 1 is a perspective view of a camera showing our new design;  
FIG. 2 is another perspective view thereof;  
FIG. 3 is a front view thereof;  
FIG. 4 is a rear view thereof;  
FIG. 5 is a left side view thereof;  
FIG. 6 is a right side view thereof;  
FIG. 7 is a top view thereof;  
FIG. 8 is a bottom view thereof;  
FIG. 9 is an enlarged view of an indicated area 9 of FIG. 1; and,  
FIG. 10 is an enlarged view of an indicated area 10 of FIG. 5.  
The broken lines depicts portions of a camera in which the design is embodied that form no part of the claimed design.

**1 Claim, 10 Drawing Sheets**



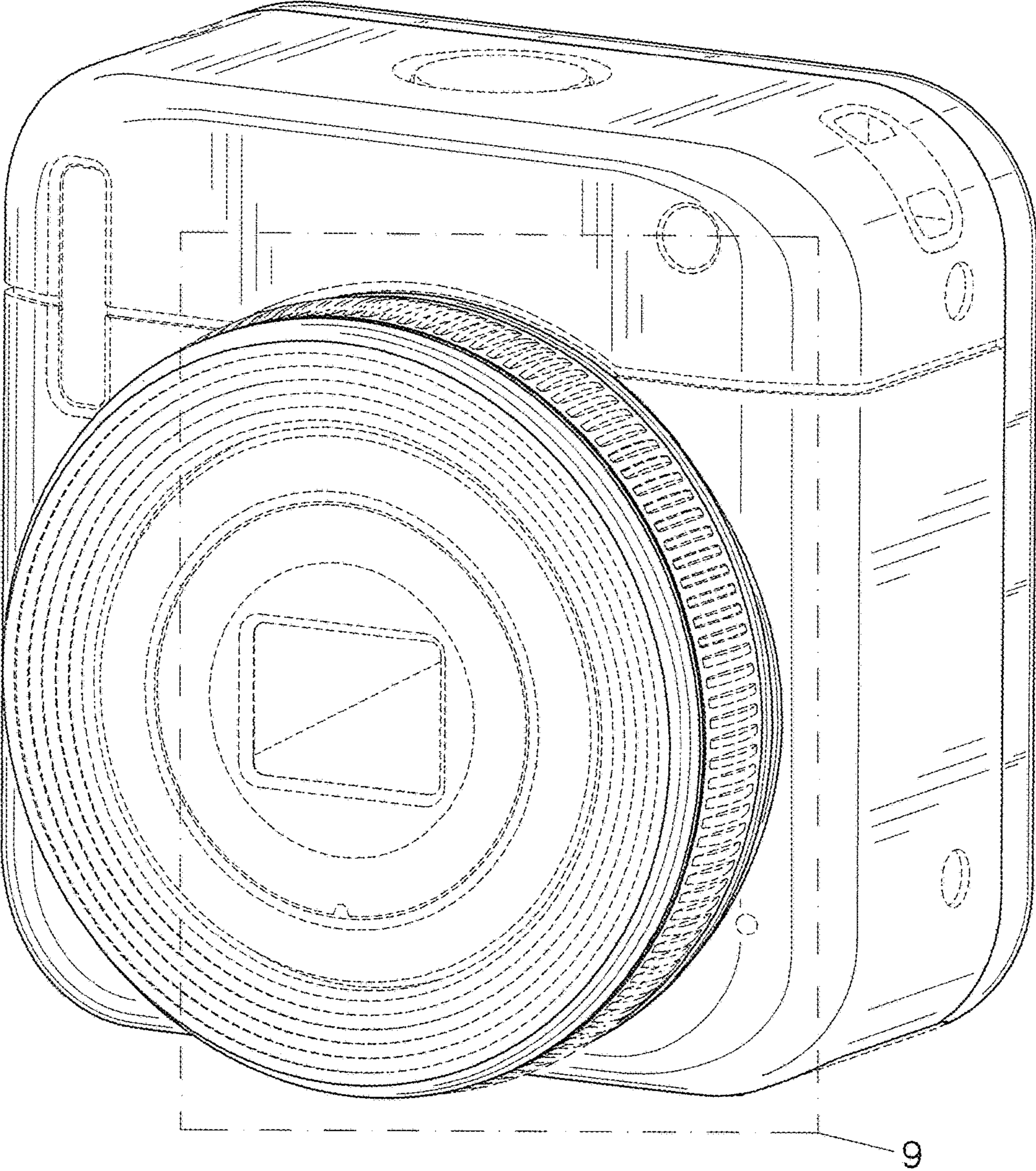


FIG. 1

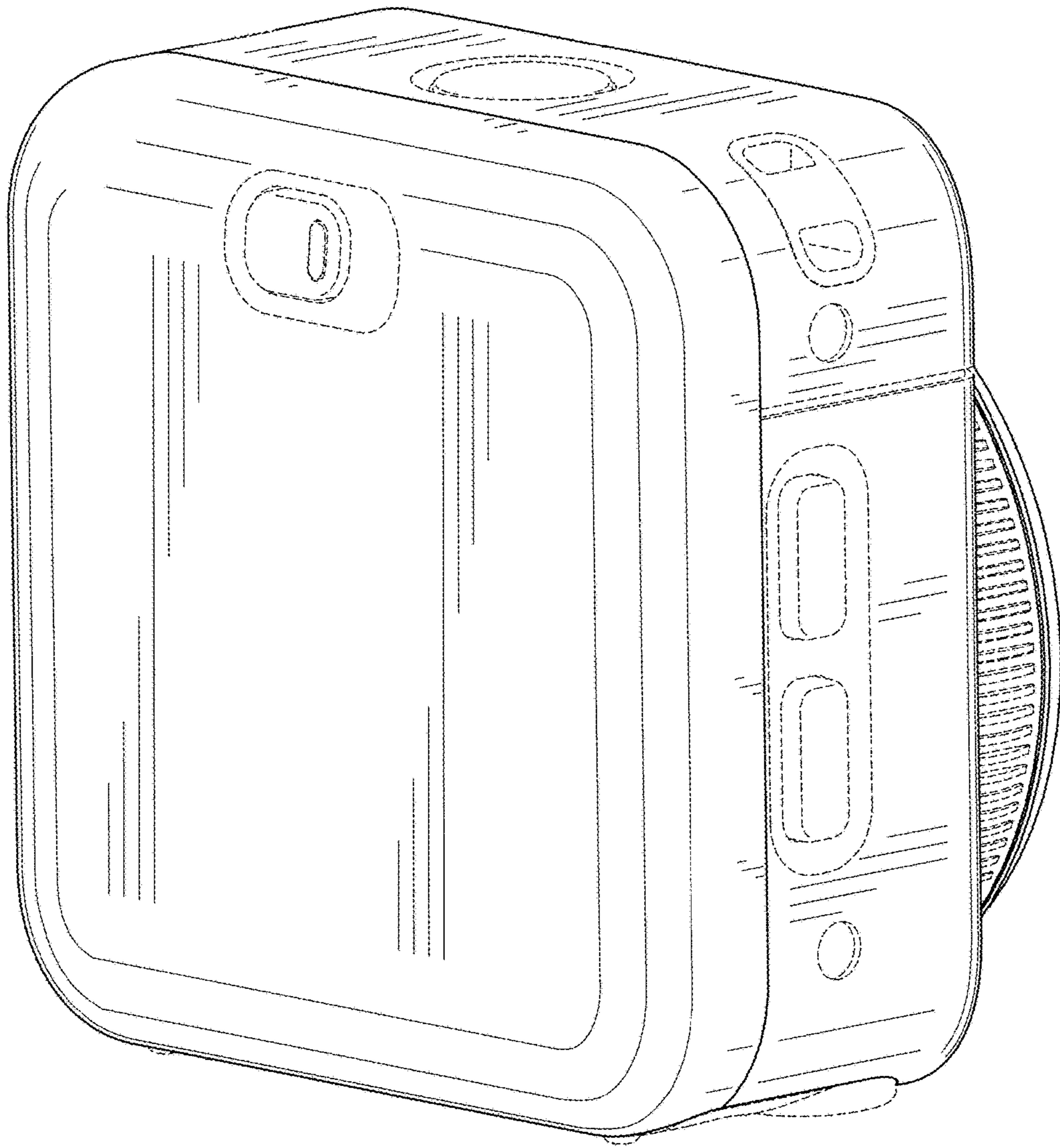


FIG. 2

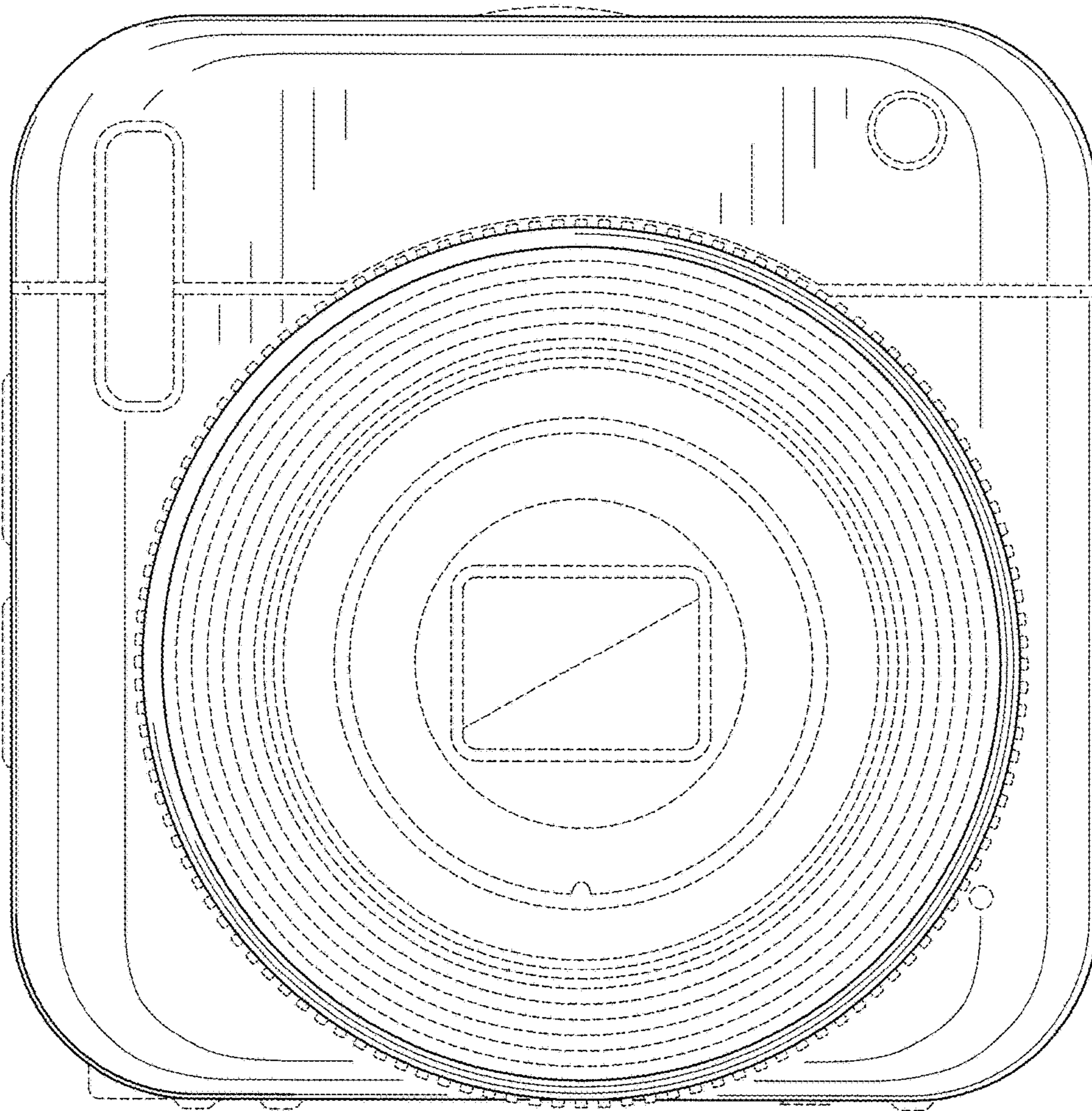


FIG. 3

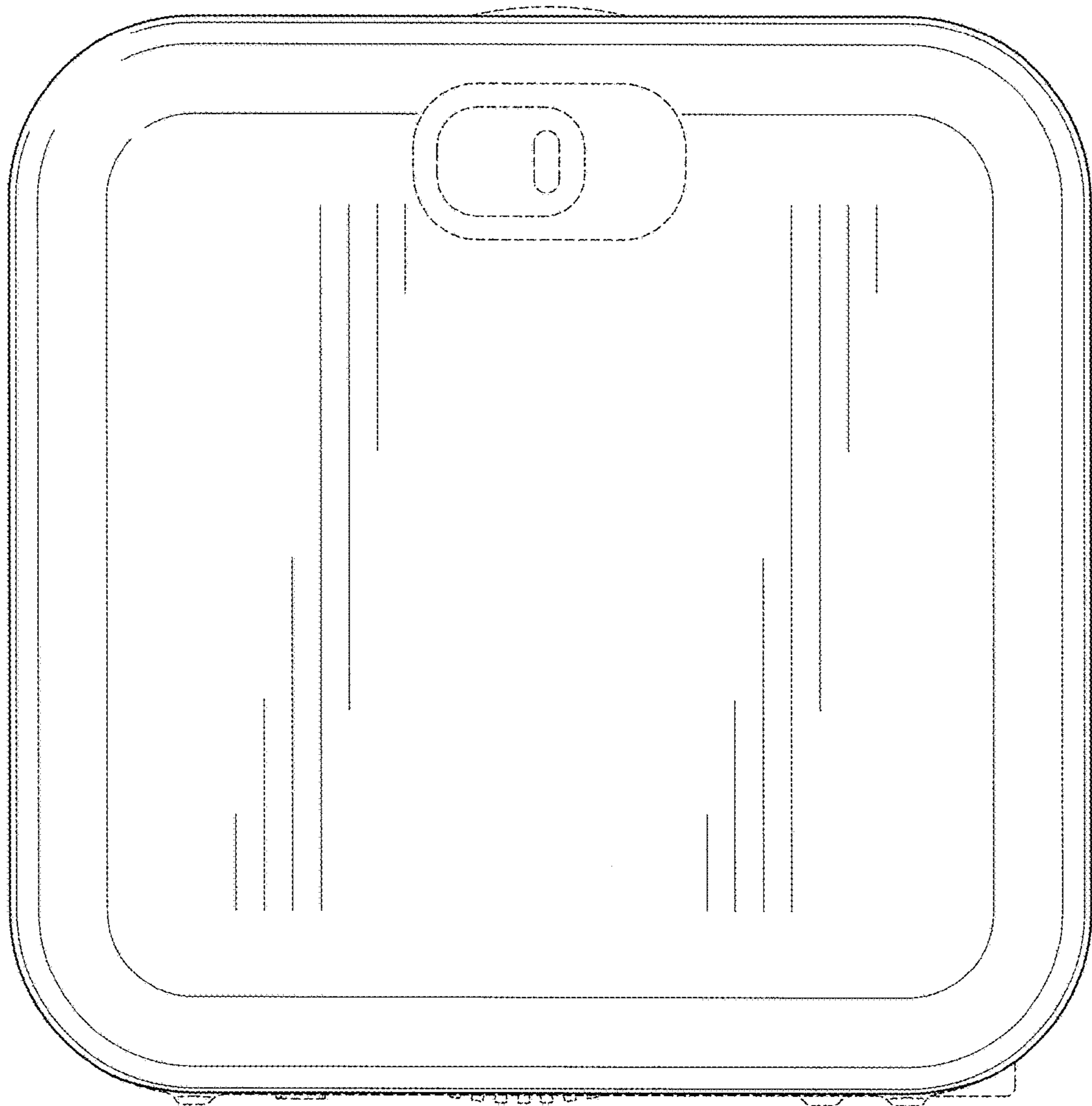


FIG. 4

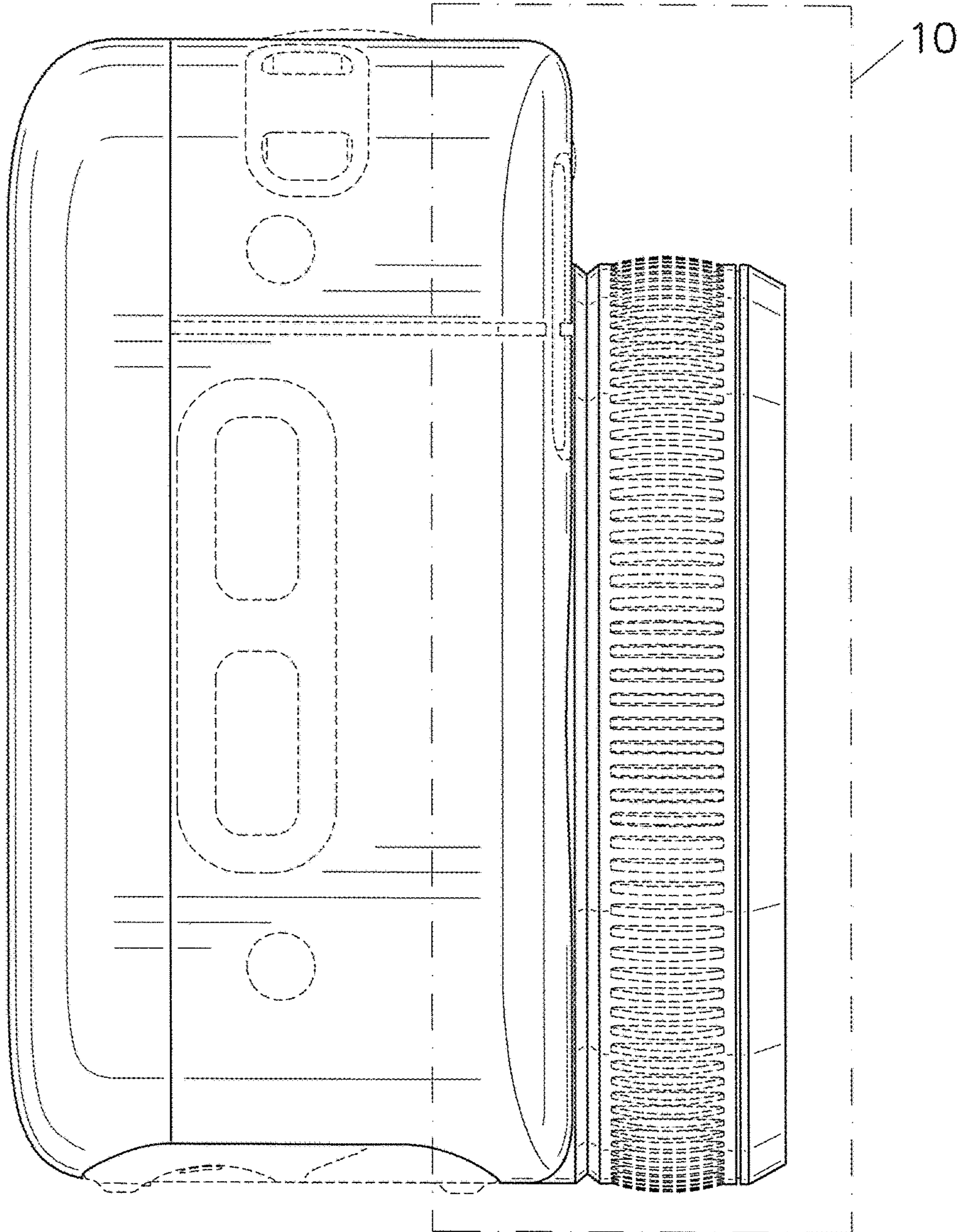


FIG. 5

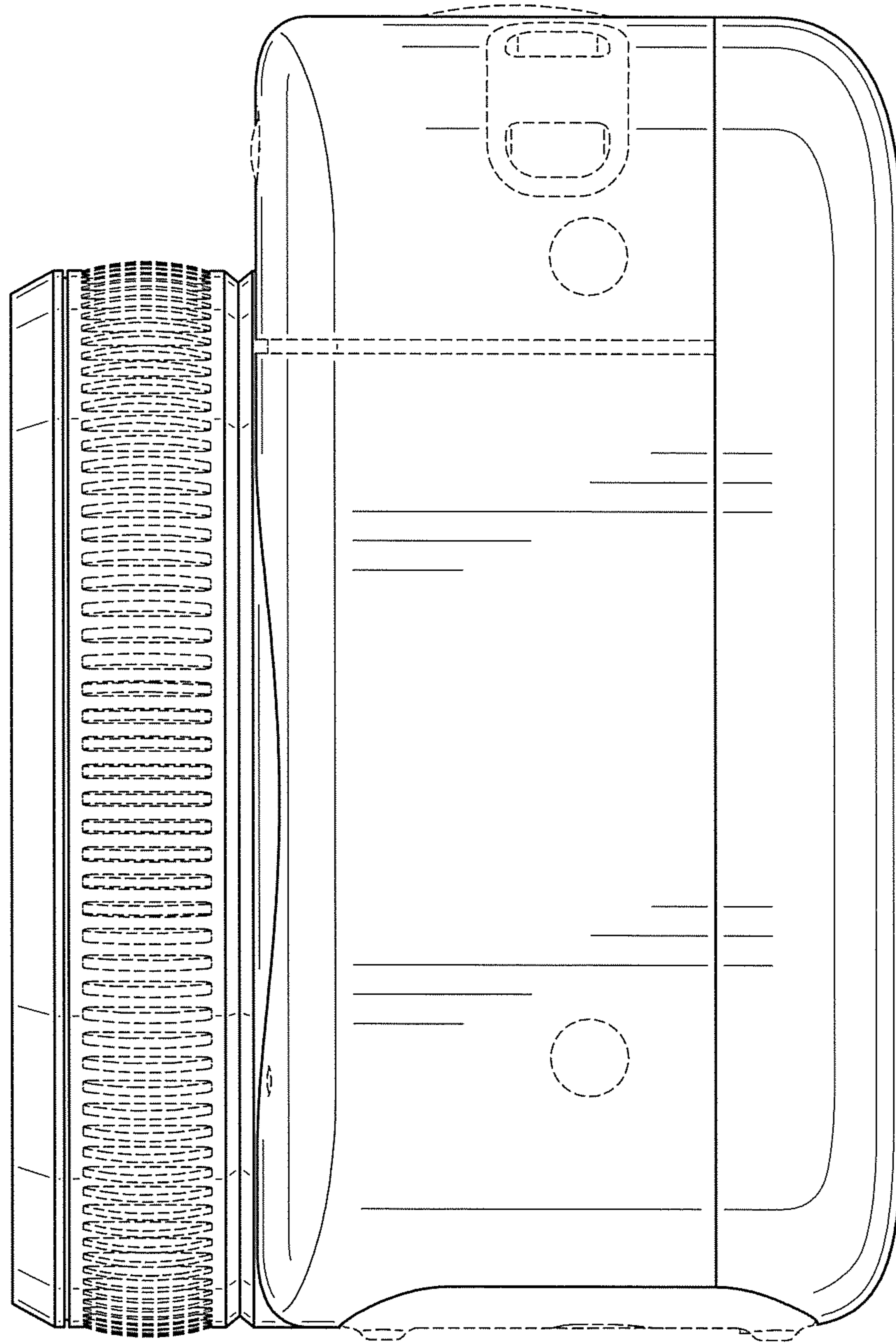


FIG. 6

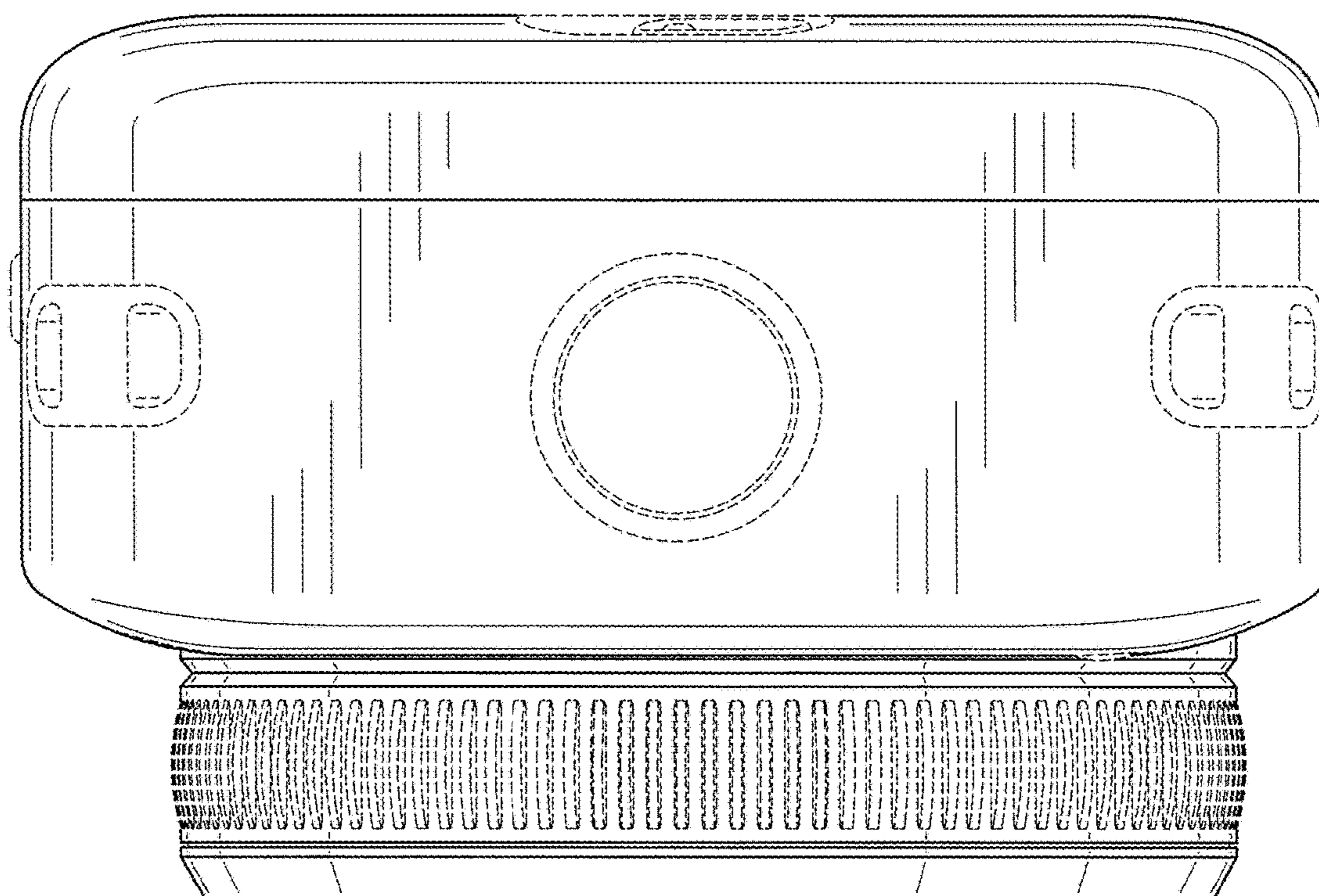


FIG. 7



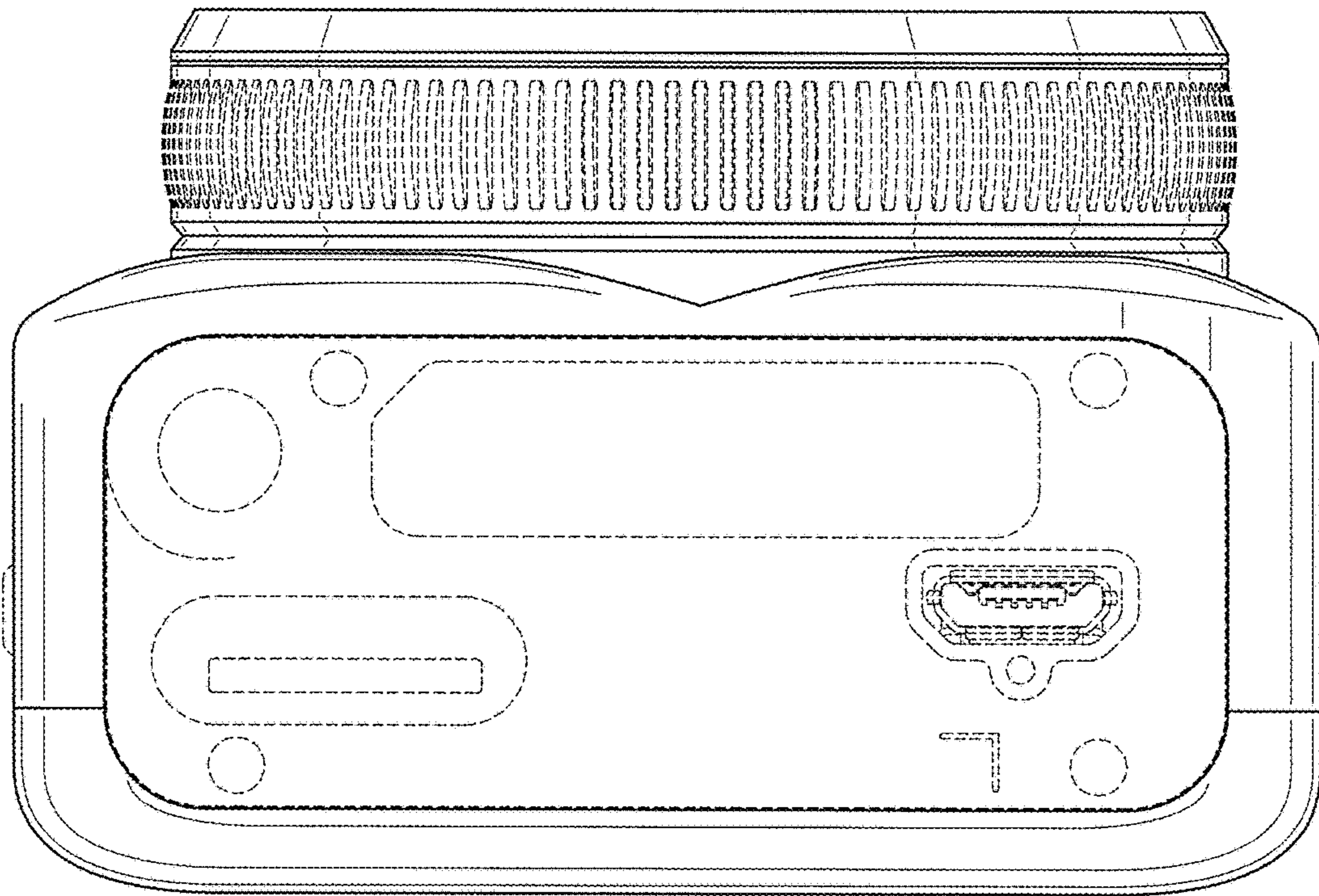


FIG. 8

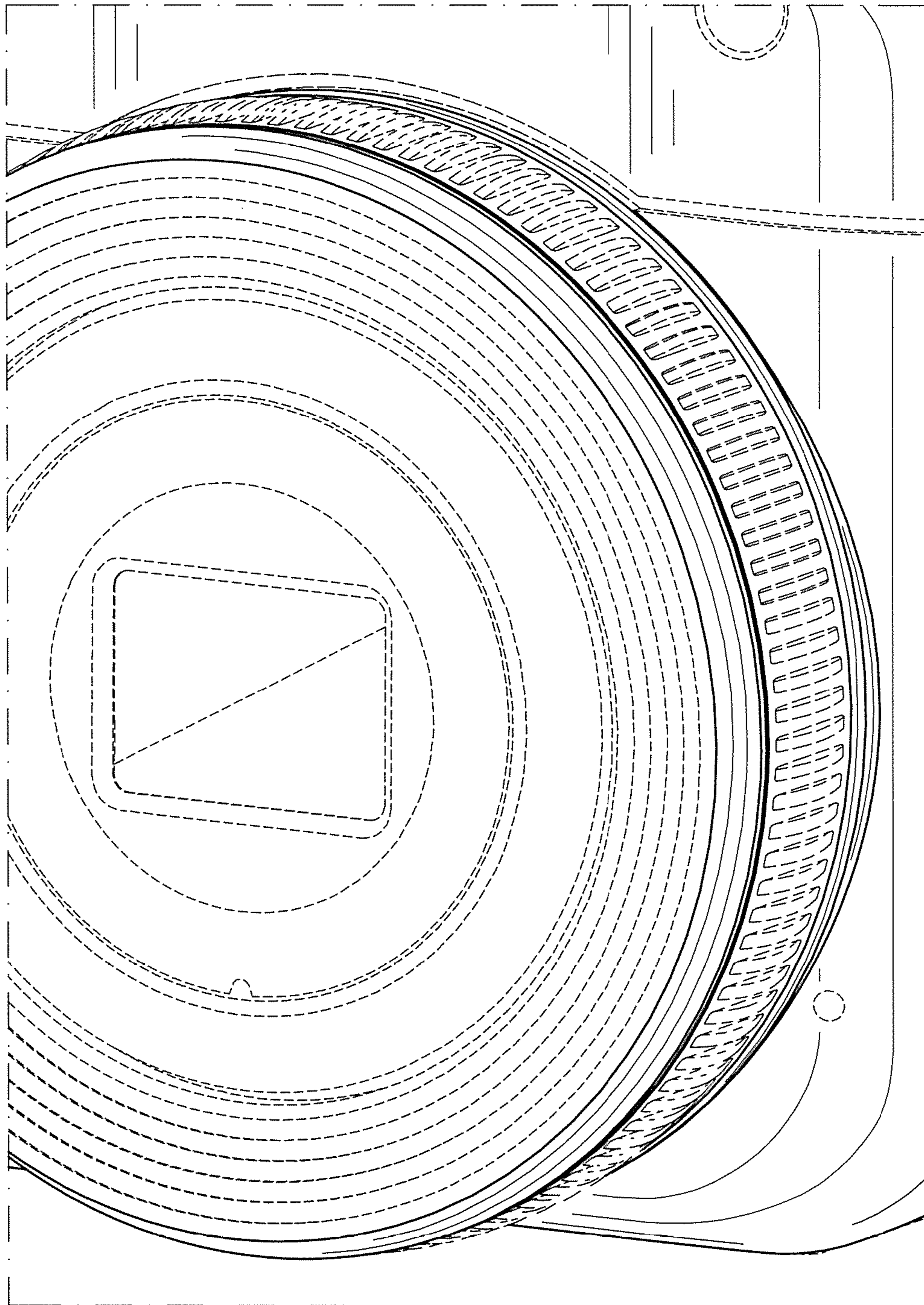


FIG. 9

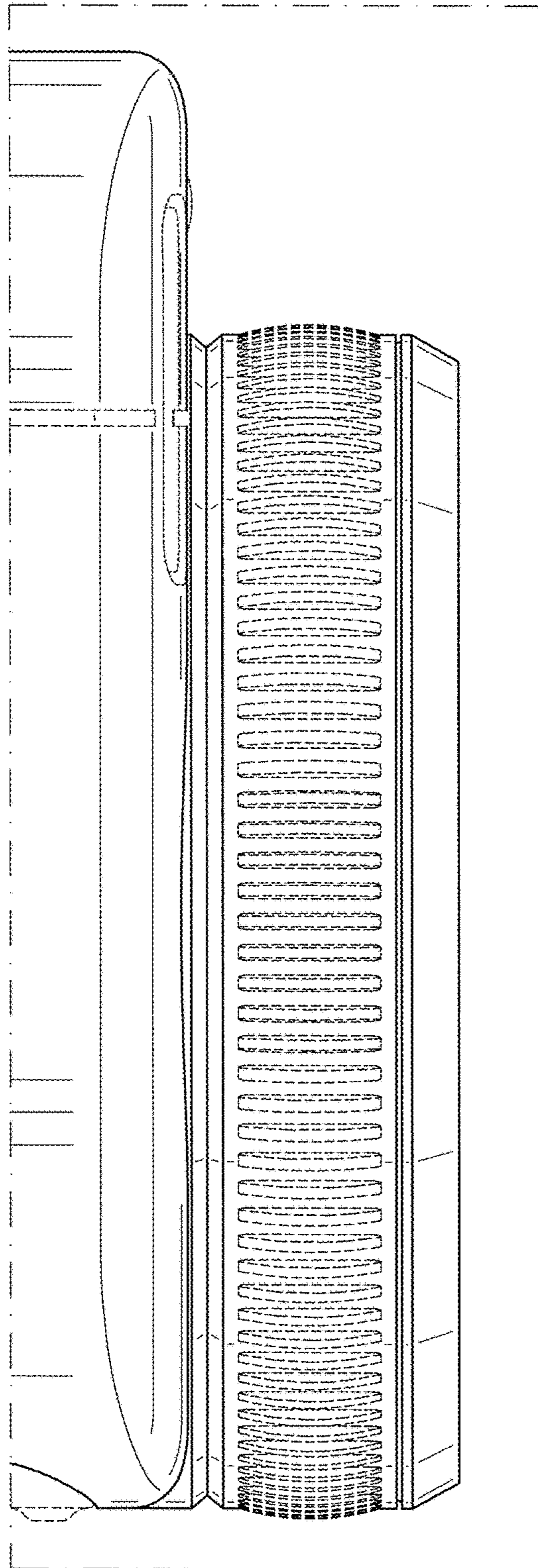


FIG. 10