



US00D777233S

(12) **United States Design Patent**  
**Sakai**

(10) **Patent No.:** **US D777,233 S**  
(45) **Date of Patent:** **\*\* Jan. 24, 2017**

(54) **DIGITAL CAMERA**

(71) Applicant: **FUJIFILM Corporation**, Tokyo (JP)

(72) Inventor: **Masayuki Sakai**, Tokyo (JP)

(73) Assignee: **FUJIFILM Corporation**, Tokyo (JP)

(\*\*) Term: **15 Years**

(21) Appl. No.: **29/543,153**

(22) Filed: **Oct. 21, 2015**

(30) **Foreign Application Priority Data**

Apr. 22, 2015 (JP) ..... 2015-009136

(51) **LOC (10) Cl.** ..... **16-01**

(52) **U.S. Cl.**  
USPC ..... **D16/202**

(58) **Field of Classification Search**  
USPC ..... D16/200, 202–206, 208, 217, 218, 219;  
348/340, 373–376; 396/89, 176–178, 535,  
396/539–541  
CPC ..... G03B 15/03; G03B 17/02; G03B 17/04;  
G03B 17/56; G03B 19/04; H04N 5/2251;  
H04N 5/2252; H04N 5/2253; H04N  
5/2254; H04N 2101/00

See application file for complete search history.

(56) **References Cited**

**U.S. PATENT DOCUMENTS**

D413,346 S \* 8/1999 Haga ..... D16/217  
7,182,529 B2 \* 2/2007 Kurosawa ..... G03B 19/12  
348/374  
D542,321 S \* 5/2007 Takahashi ..... D16/202  
D560,239 S \* 1/2008 Kim ..... D16/202  
D564,561 S \* 3/2008 Takahashi ..... D16/200  
D594,892 S \* 6/2009 Kamiya ..... D16/202

D639,325 S \* 6/2011 Yamauchi ..... D16/202  
D681,090 S \* 4/2013 Tainaka ..... D16/200  
D720,787 S \* 1/2015 Tainaka ..... D16/202  
D726,797 S \* 4/2015 Ham ..... D16/202  
D732,099 S \* 6/2015 Nagaoka ..... D16/202  
D738,418 S \* 9/2015 Imai ..... D16/202  
2013/0093946 A1 \* 4/2013 Nakagawa ..... H04N 5/2252  
348/374

\* cited by examiner

*Primary Examiner* — Susan E Krakower

*Assistant Examiner* — Ramzi Almatrahi

(74) *Attorney, Agent, or Firm* — Young & Thompson

(57) **CLAIM**

The ornamental design for a digital camera, as shown and described.

**DESCRIPTION**

FIG. 1 is a top, front and right side perspective view of a digital camera showing my new design;  
FIG. 2 is a top, rear and left side perspective view thereof;  
FIG. 3 is a front elevational view thereof;  
FIG. 4 is a rear elevational view thereof;  
FIG. 5 is a top plan view thereof;  
FIG. 6 is a bottom plan view thereof;  
FIG. 7 is a left side elevational view thereof;  
FIG. 8 is a right side elevational view thereof; and,  
FIG. 9 is a reduced top, rear and right side perspective view thereof, shown in condition of use.

The broken lines showing a camera lens in FIG. 9 represent environmental structure and form no part of the claimed design.

The broken lines in FIG. 6 depict portions of a digital camera in which the design is embodied that form no part of the claimed design.

**1 Claim, 9 Drawing Sheets**

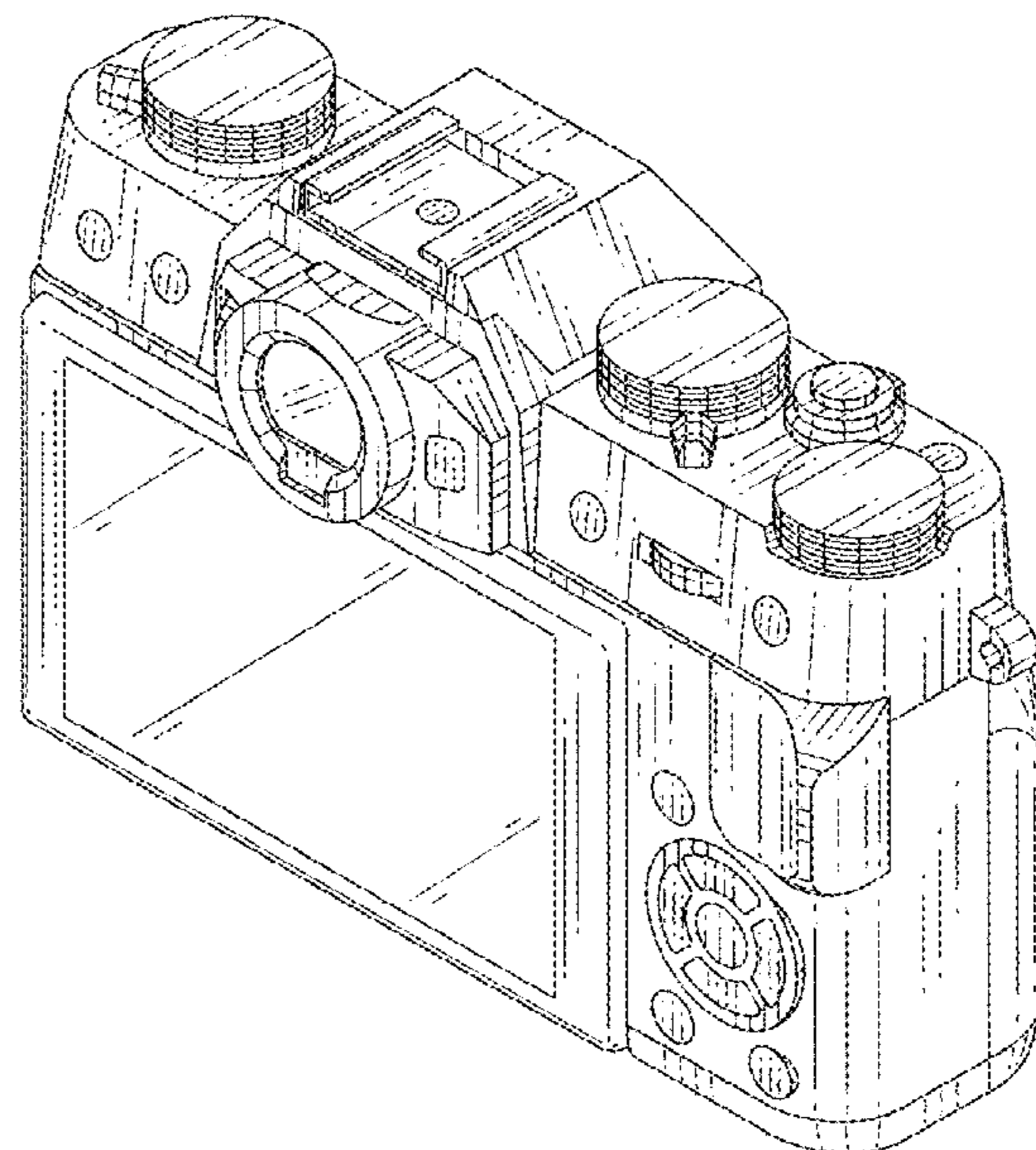
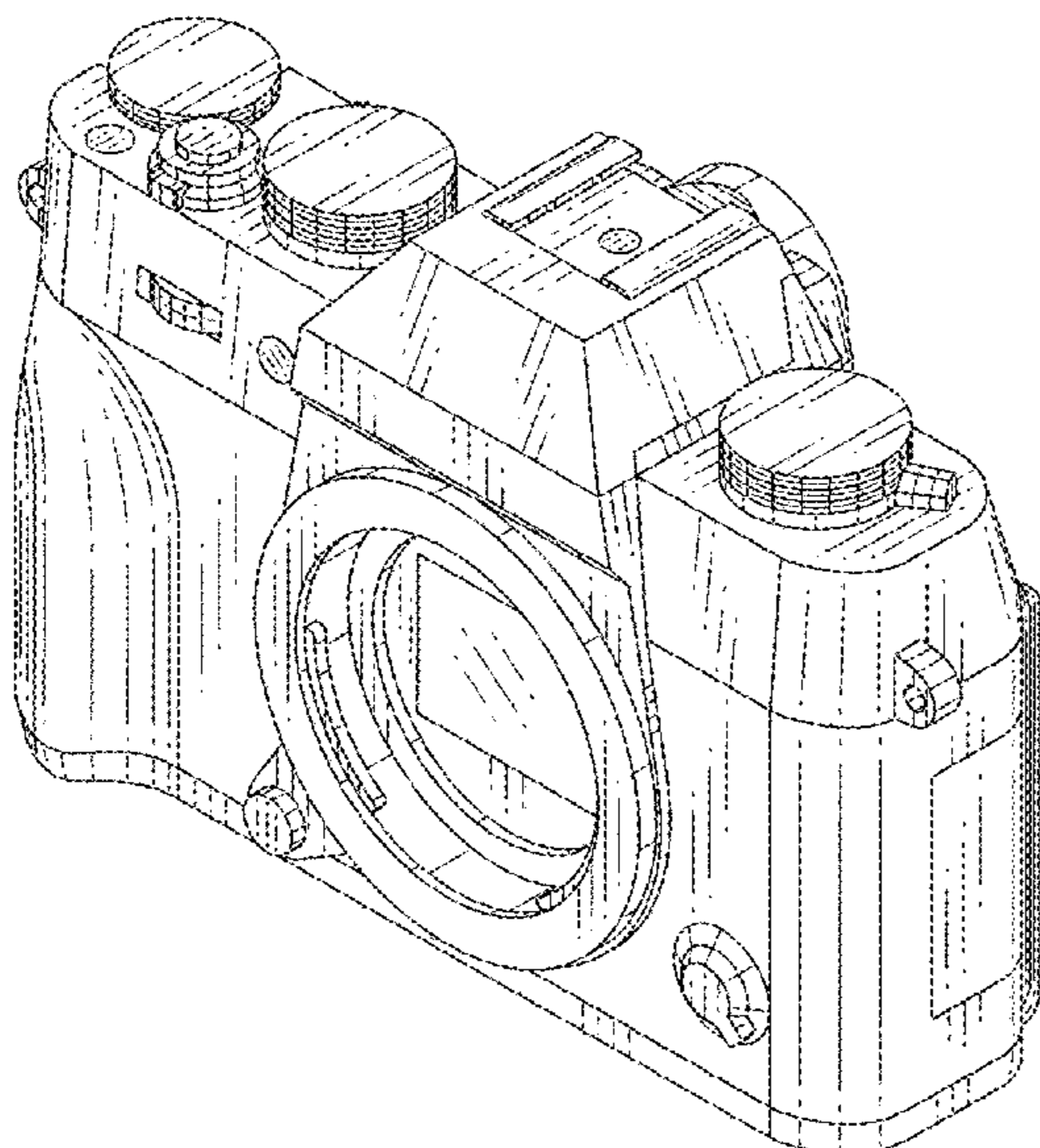


FIG. 1

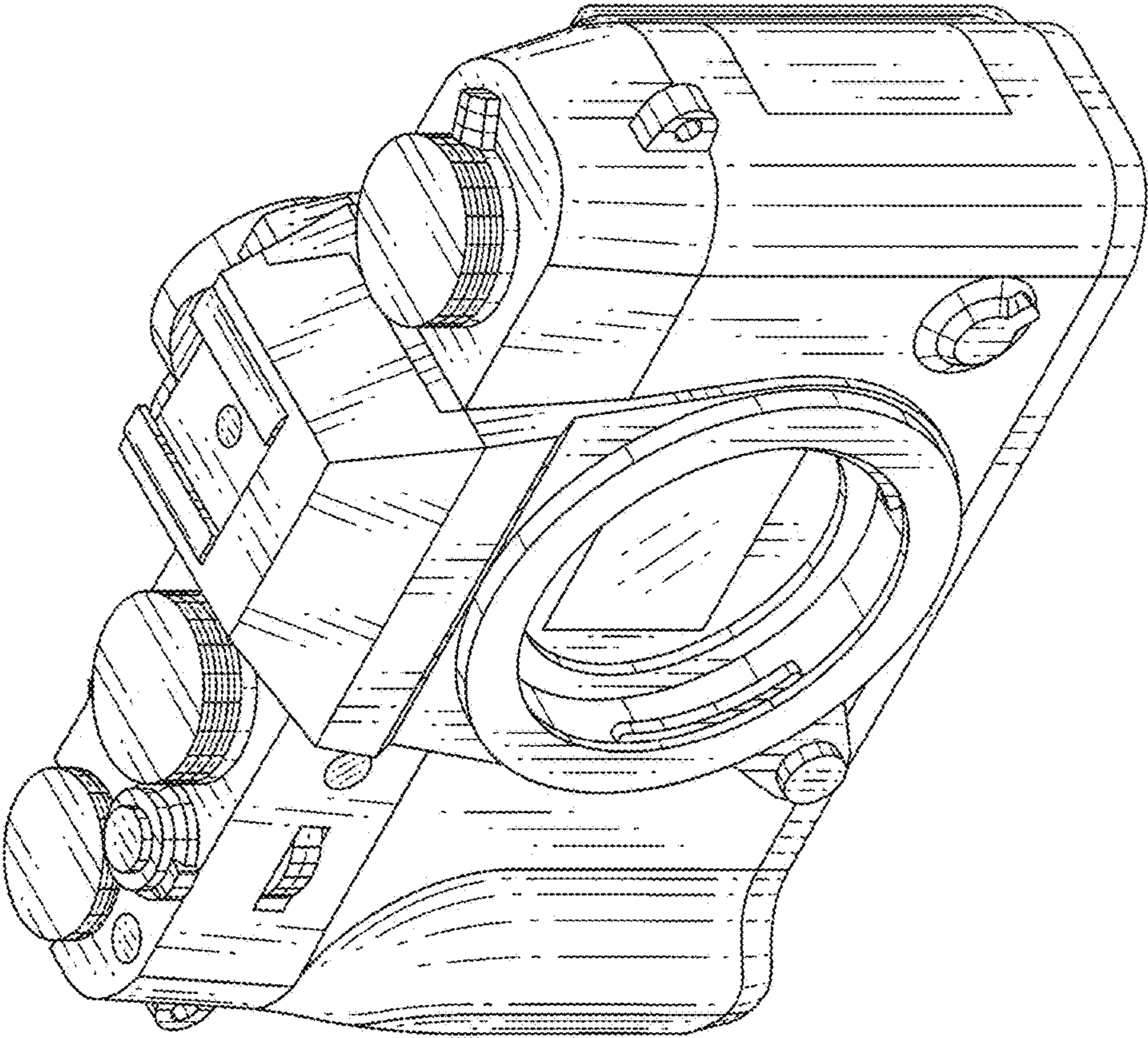


FIG. 2

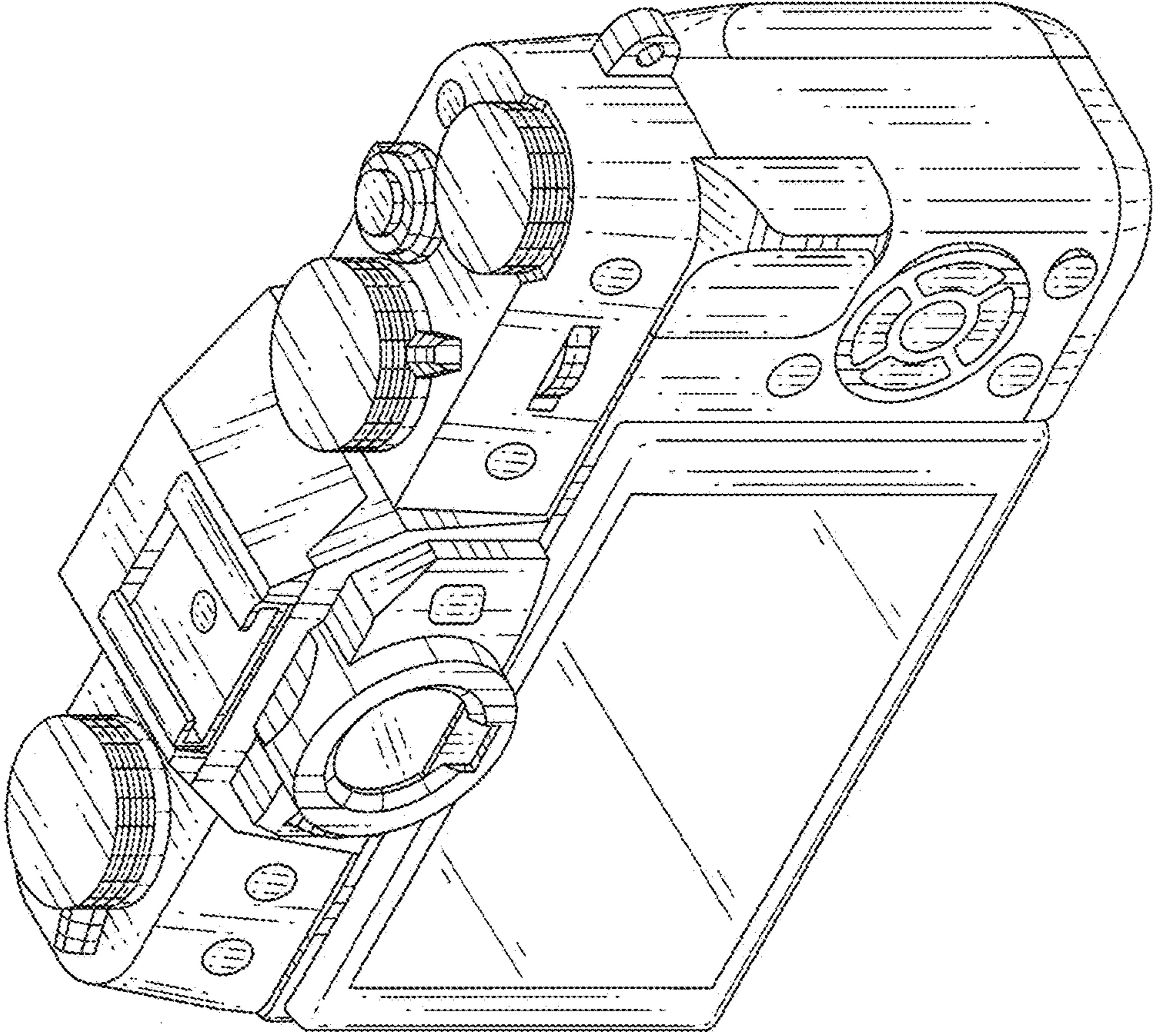


FIG. 3

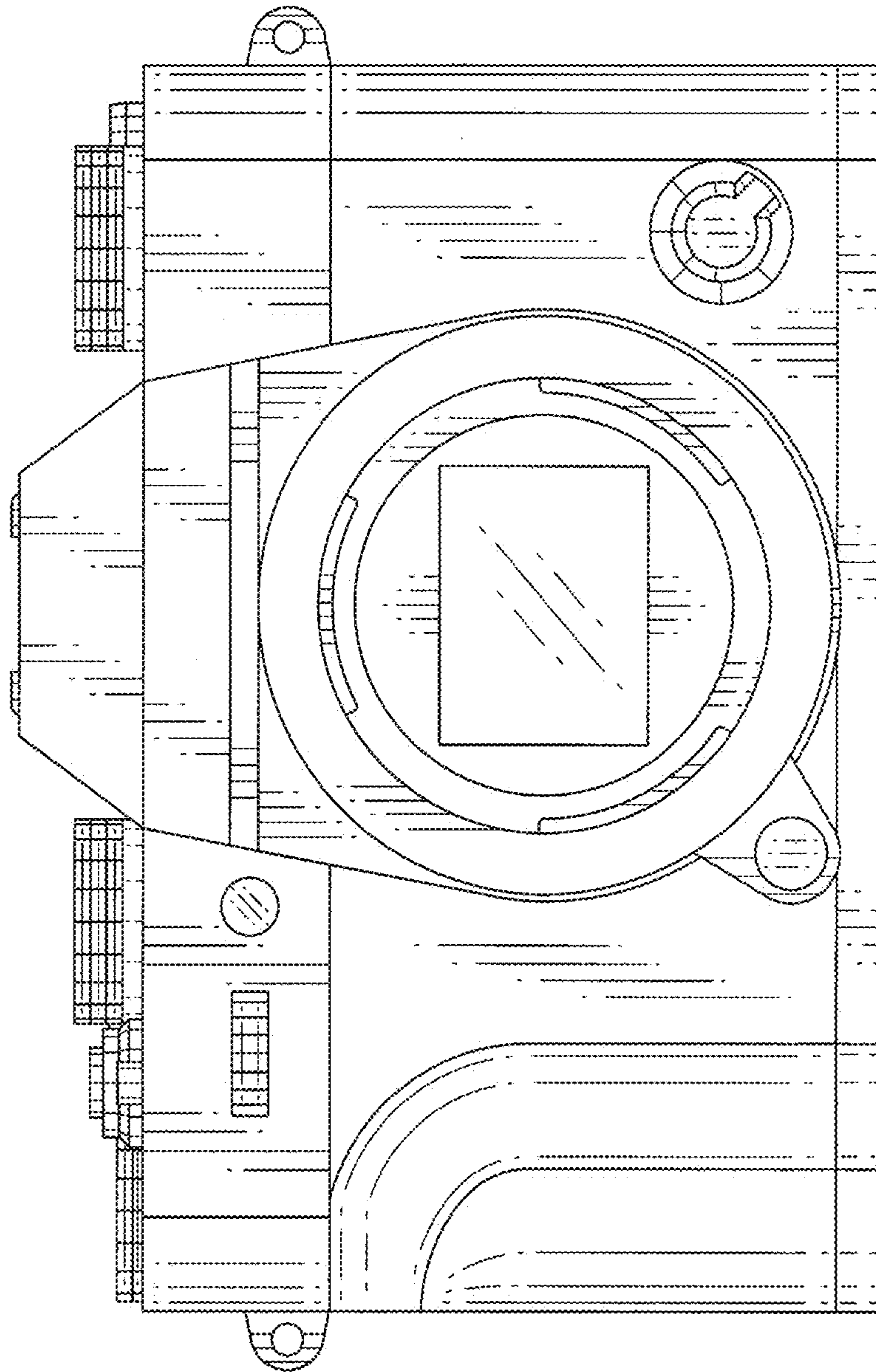


FIG. 4

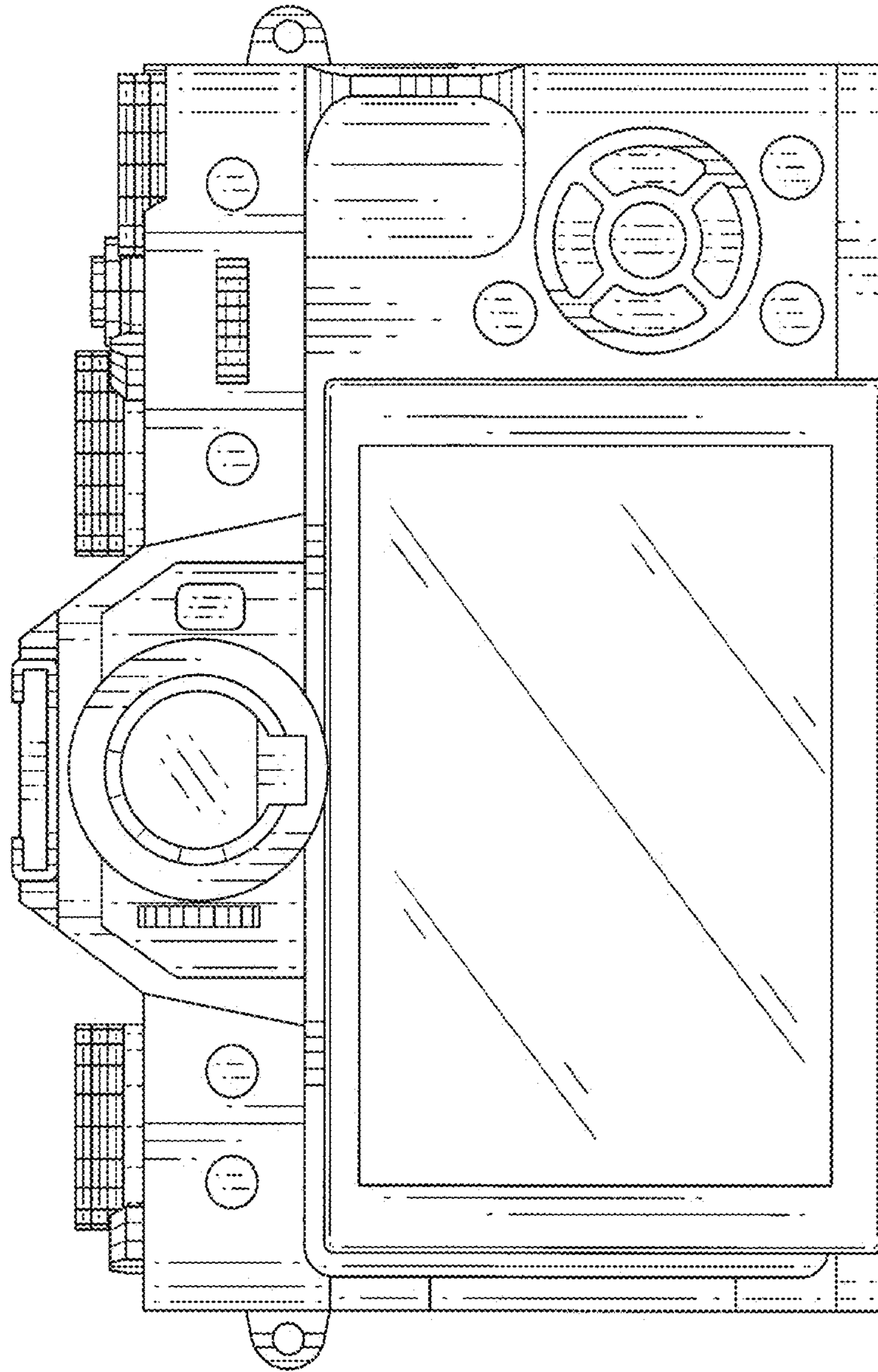


FIG. 5

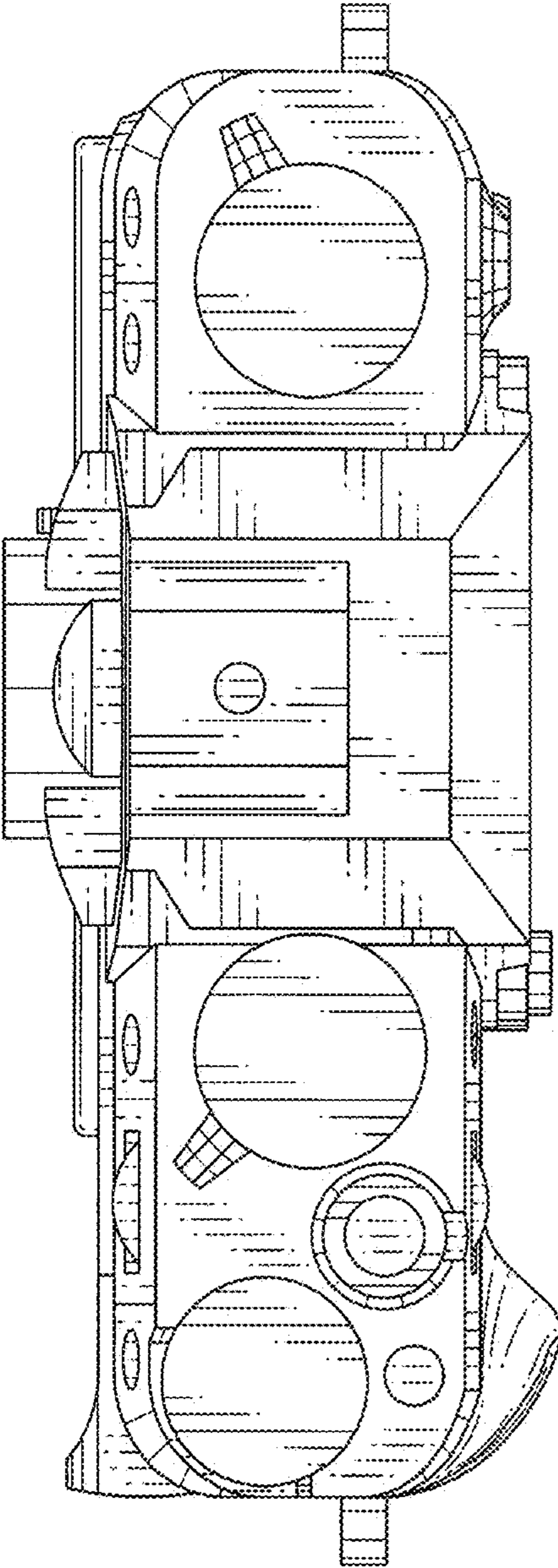


FIG. 6

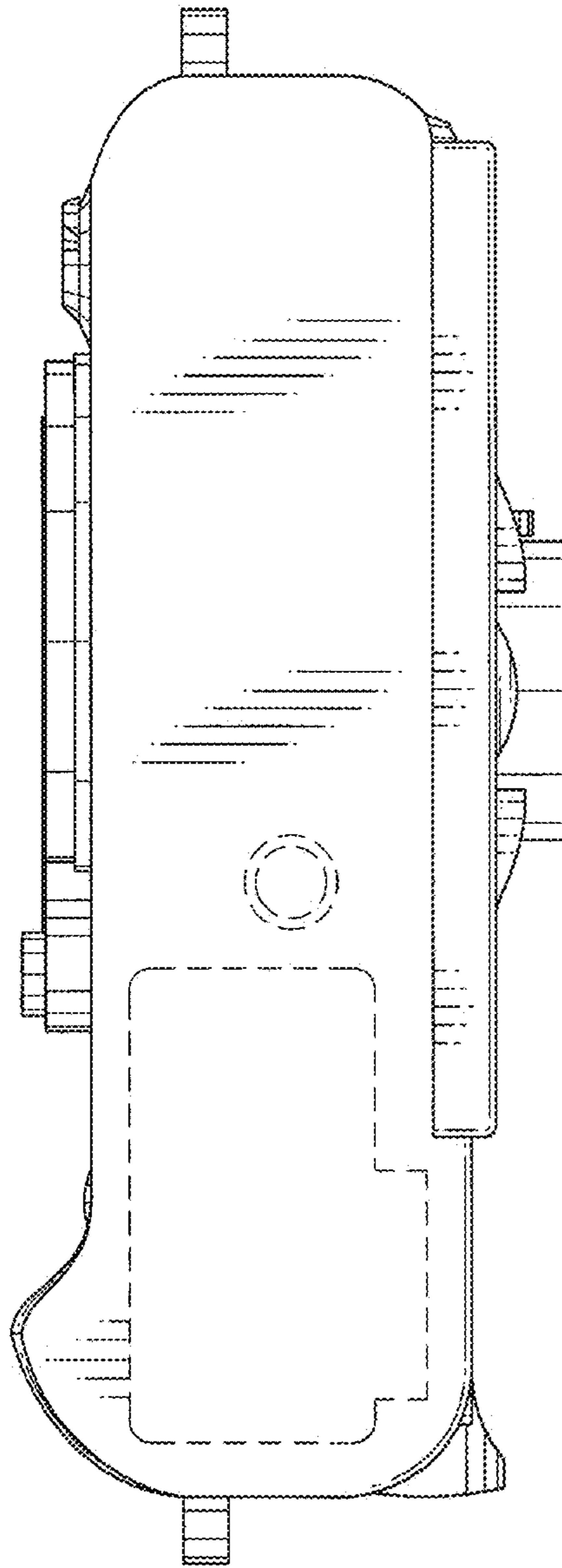


FIG. 7

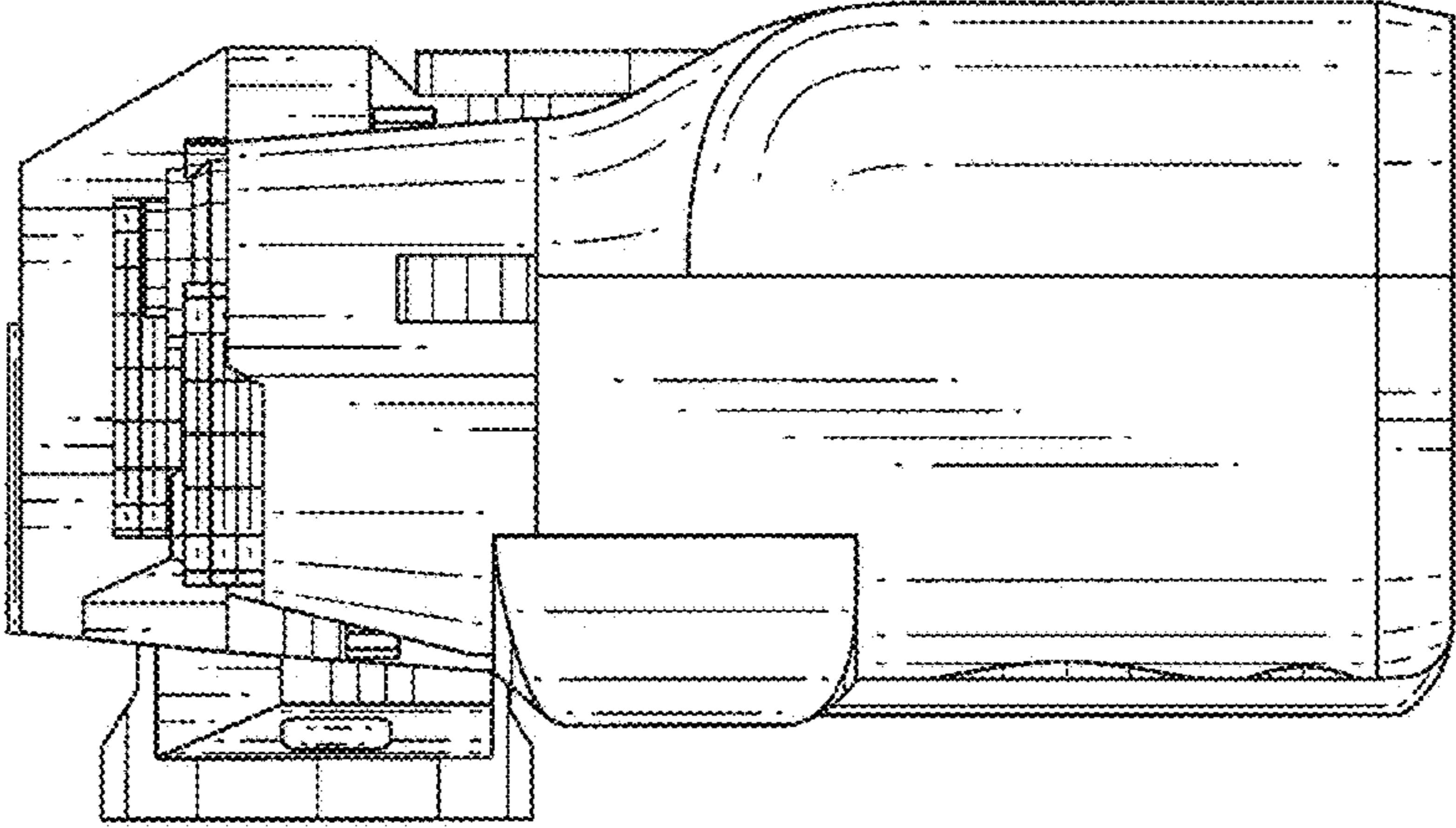




FIG. 8

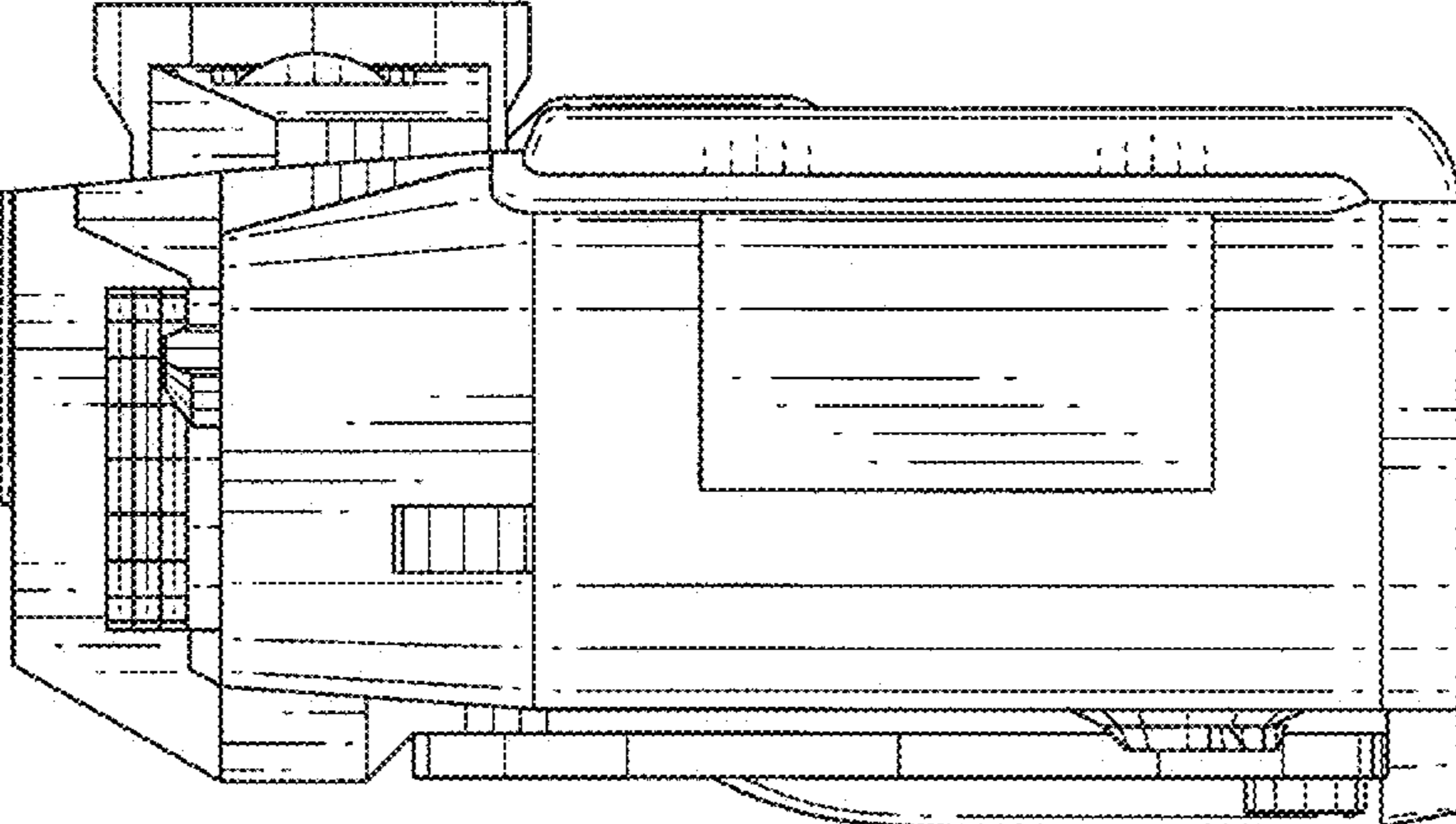


FIG. 9

