



US00D777232S

(12) **United States Design Patent**
Lillquist et al.

(10) **Patent No.:** **US D777,232 S**
(45) **Date of Patent:** **** Jan. 24, 2017**

- (54) **CAMERA DEVICE**
- (71) Applicant: **Garmin Switzerland GmbH**,
Schaffhausen (CH)
- (72) Inventors: **Robert S. Lillquist**, Kansas City, MO
(US); **Derrick D. Lenz**, Olathe, KS
(US); **Dustin L. Kelsey**, Basehor, KS
(US); **Jeff D. Taylor**, Wellsville, KS
(US)
- (73) Assignee: **Garmin Switzerland GmbH** (CH)
- (**) Term: **15 Years**
- (21) Appl. No.: **29/537,384**
- (22) Filed: **Aug. 25, 2015**
- (51) **LOC (10) Cl.** **16-01**
- (52) **U.S. Cl.**
USPC **D16/202**
- (58) **Field of Classification Search**
USPC D16/200, 202–208, 210, 218, 219;
348/143, 148, 151, 373–376; 396/419,
427, 396/535–541
CPC G03B 15/03; G03B 17/02; G03B 17/04;
G03B 17/56; G03B 19/04; H04N 5/2251;
H04N 5/2252; H04N 5/2253; H04N
5/2254; H04N 2101/00
See application file for complete search history.

(56) **References Cited**
U.S. PATENT DOCUMENTS

D524,344 S *	7/2006	Imai	D16/202
D532,030 S *	11/2006	Yoshida	D16/202
D534,564 S *	1/2007	Tainaka	D16/202
D538,322 S *	3/2007	Horikiri	D16/202
D560,237 S *	1/2008	Yoshida	D16/202

7,683,968 B2 *	3/2010	Hagihara	G02B 27/0006 348/335
D721,395 S *	1/2015	Woodman	D16/218
D750,686 S *	3/2016	Chen	D16/218
D753,749 S *	4/2016	Zhu	D16/202
D755,270 S *	5/2016	Vehlewald	D16/202
D758,467 S *	6/2016	Zhang	D16/202
D760,309 S *	6/2016	Parfitt	D16/202
D766,351 S *	9/2016	Li	D16/202

OTHER PUBLICATIONS

Garmin Dash Cam™ Owner's manual, published Nov. 2013.
Garmin nüviCam™ Owner's manual, published Mar. 2105.

(Continued)

Primary Examiner — Susan E Krakower

Assistant Examiner — Ramzi Almatrahi

(74) *Attorney, Agent, or Firm* — Samuel M. Korte; Max M. Ali

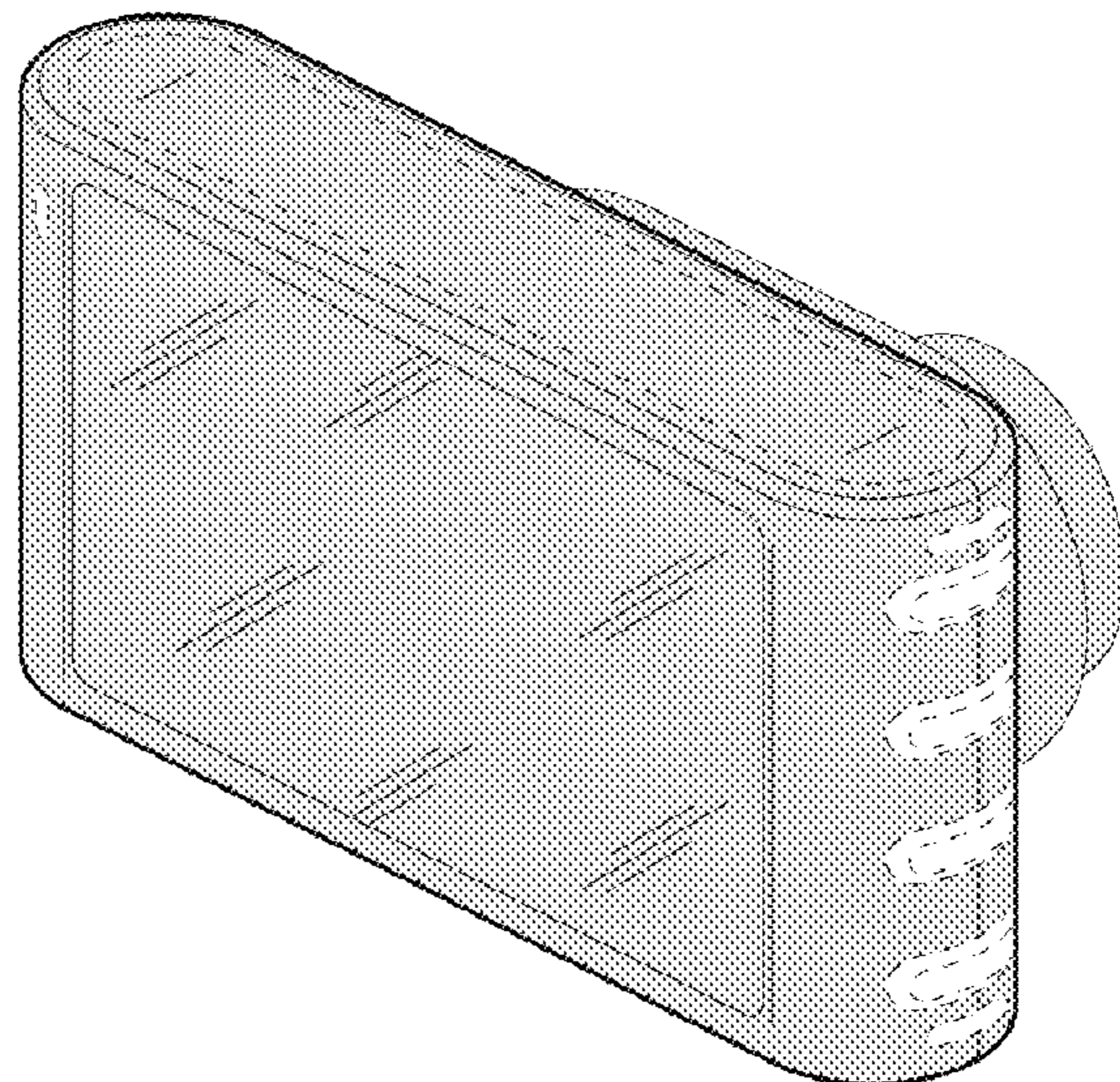
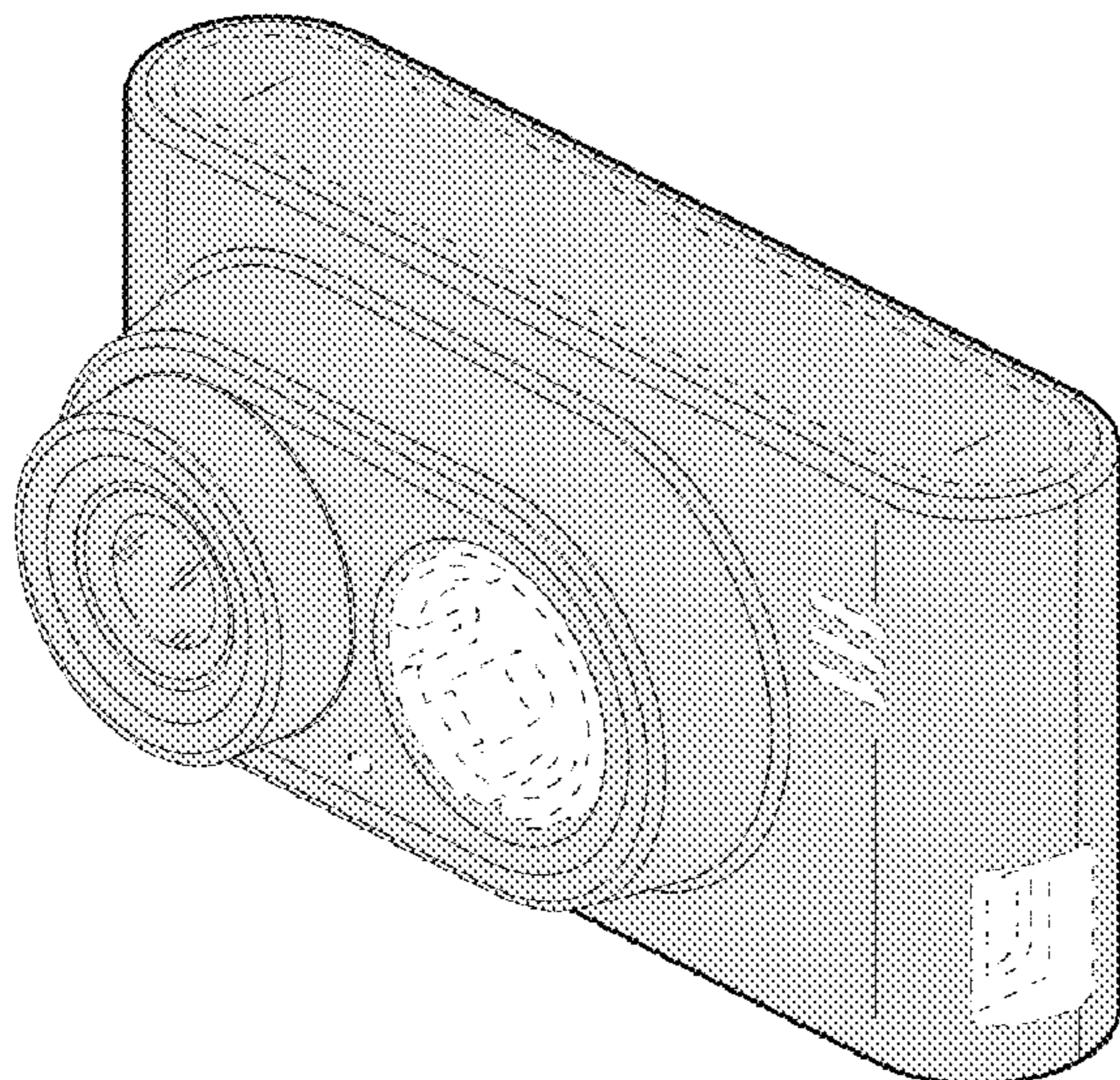
(57) **CLAIM**

The ornamental design for a camera device, as shown and described.

DESCRIPTION

FIG. 1 is a front perspective view of a camera device according to the present invention;
FIG. 2 is a rear perspective view of the camera device;
FIG. 3 is a top view of the camera device;
FIG. 4 is a front view of the camera device;
FIG. 5 is a bottom view of the camera device;
FIG. 6 is a rear view of the camera device;
FIG. 7 is a left side view of the camera device; and,
FIG. 8 is a right side view of the camera device.
The broken lines shown in FIGS. 1 through 8 represent portions of the camera device that form no part of the claimed design.

1 Claim, 3 Drawing Sheets



(56)

References Cited

OTHER PUBLICATIONS

Printout from <http://www.cowon.com.au/html/ae1.php> , published prior to Aug. 25, 2015.

Printout from <http://www.magellangps.com/Store/MiVue-DashCam/Magellan-MiVue-658>, published prior to Aug. 25, 2015.

Printout from <https://www.cobra.com/products/dash-cams/cdr-825e> published prior to Aug. 25, 2015.

* cited by examiner

Fig. 1

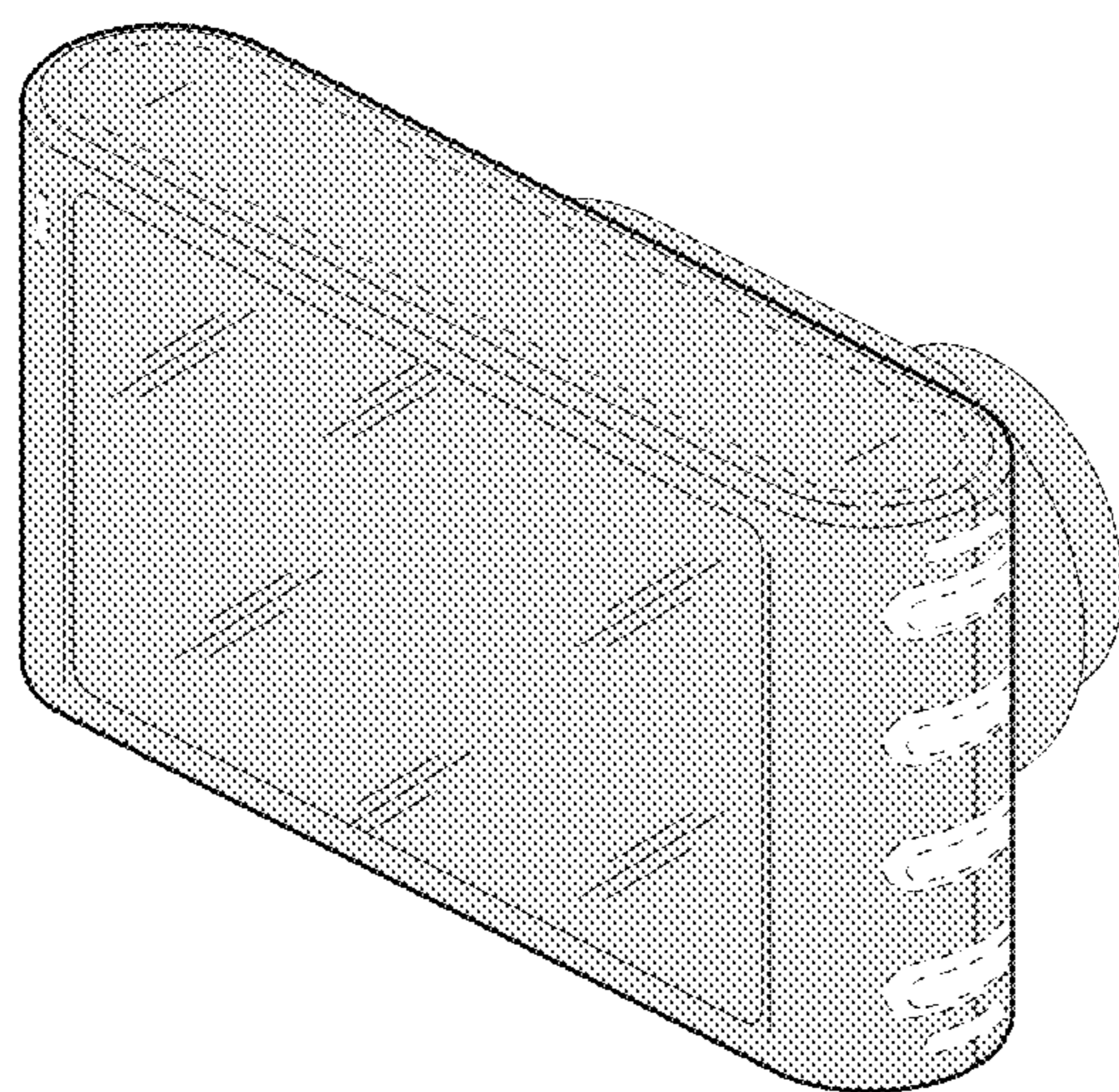
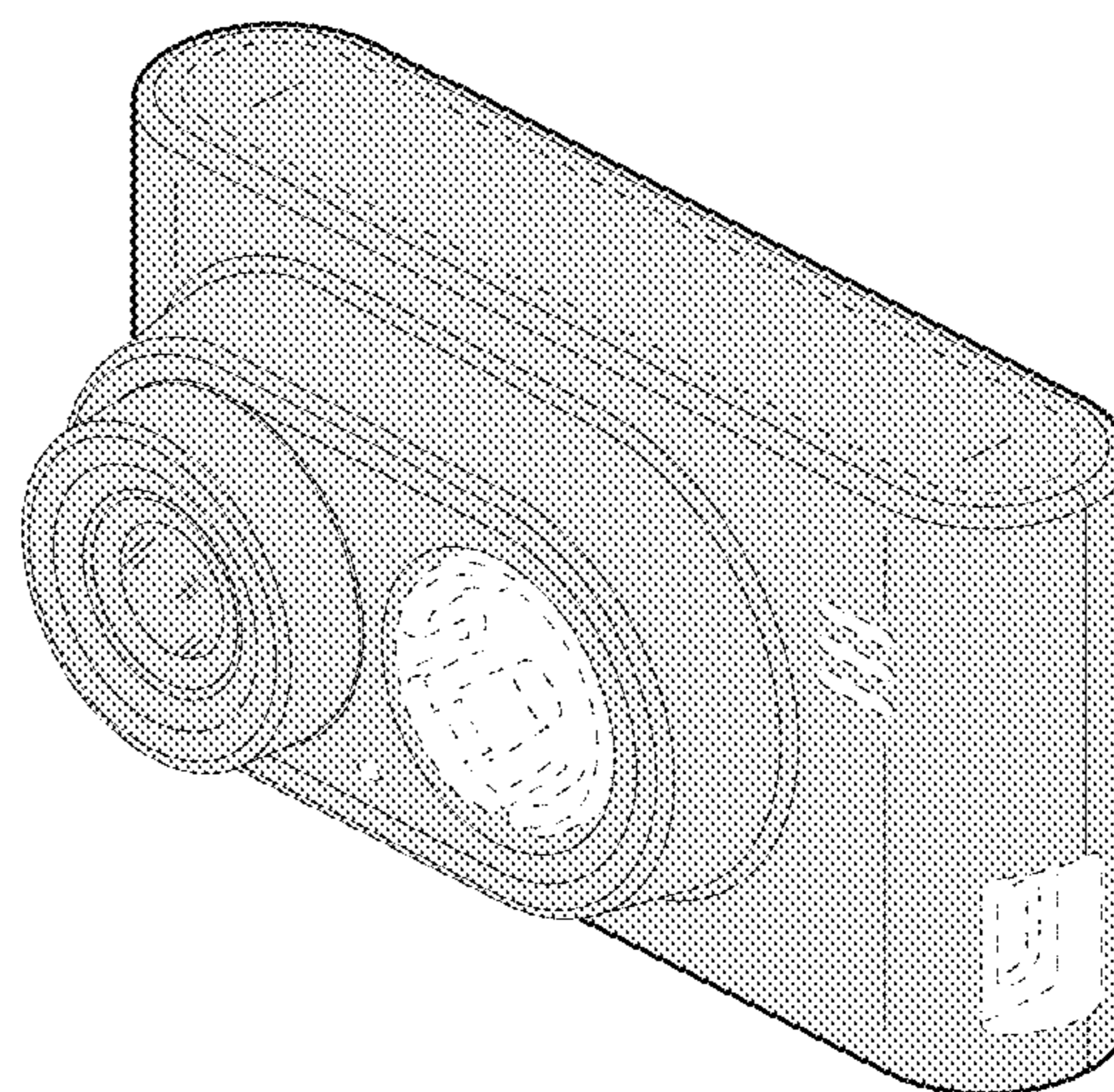


Fig. 2

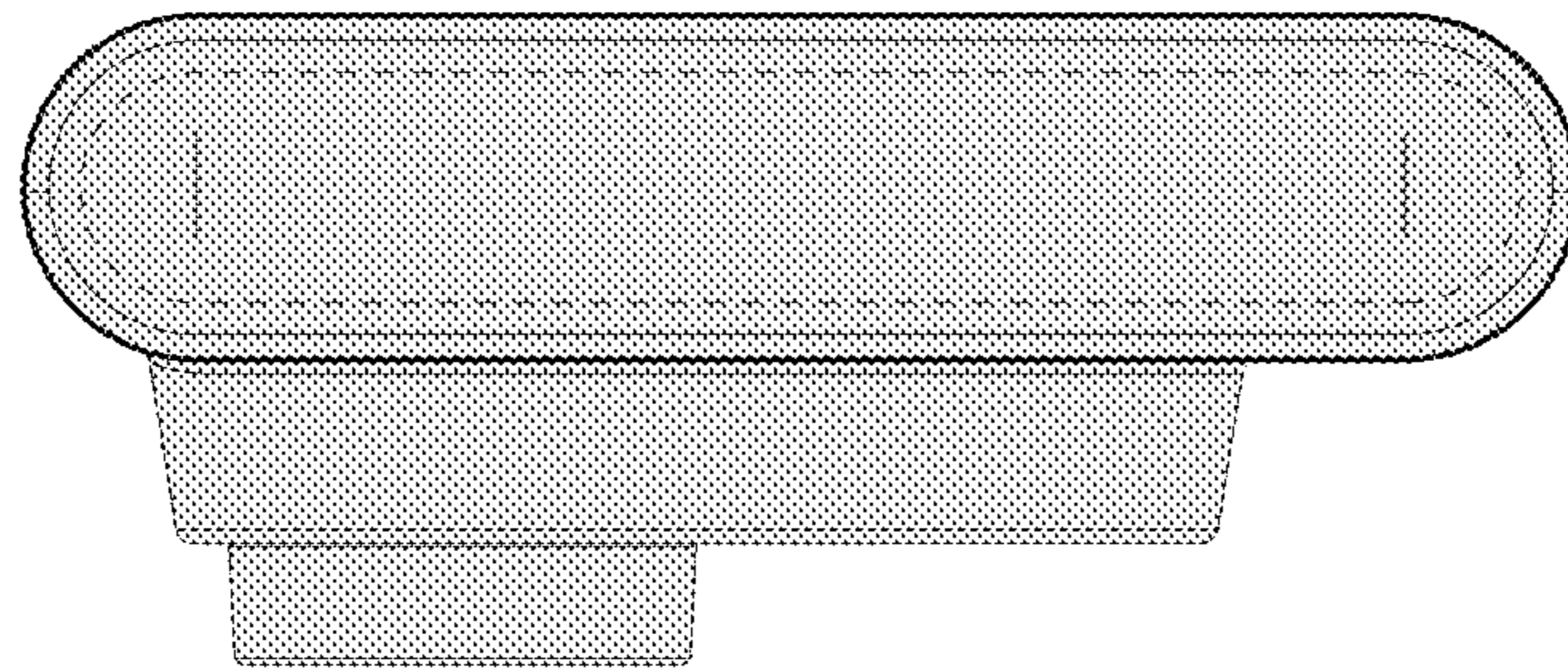


Fig. 3

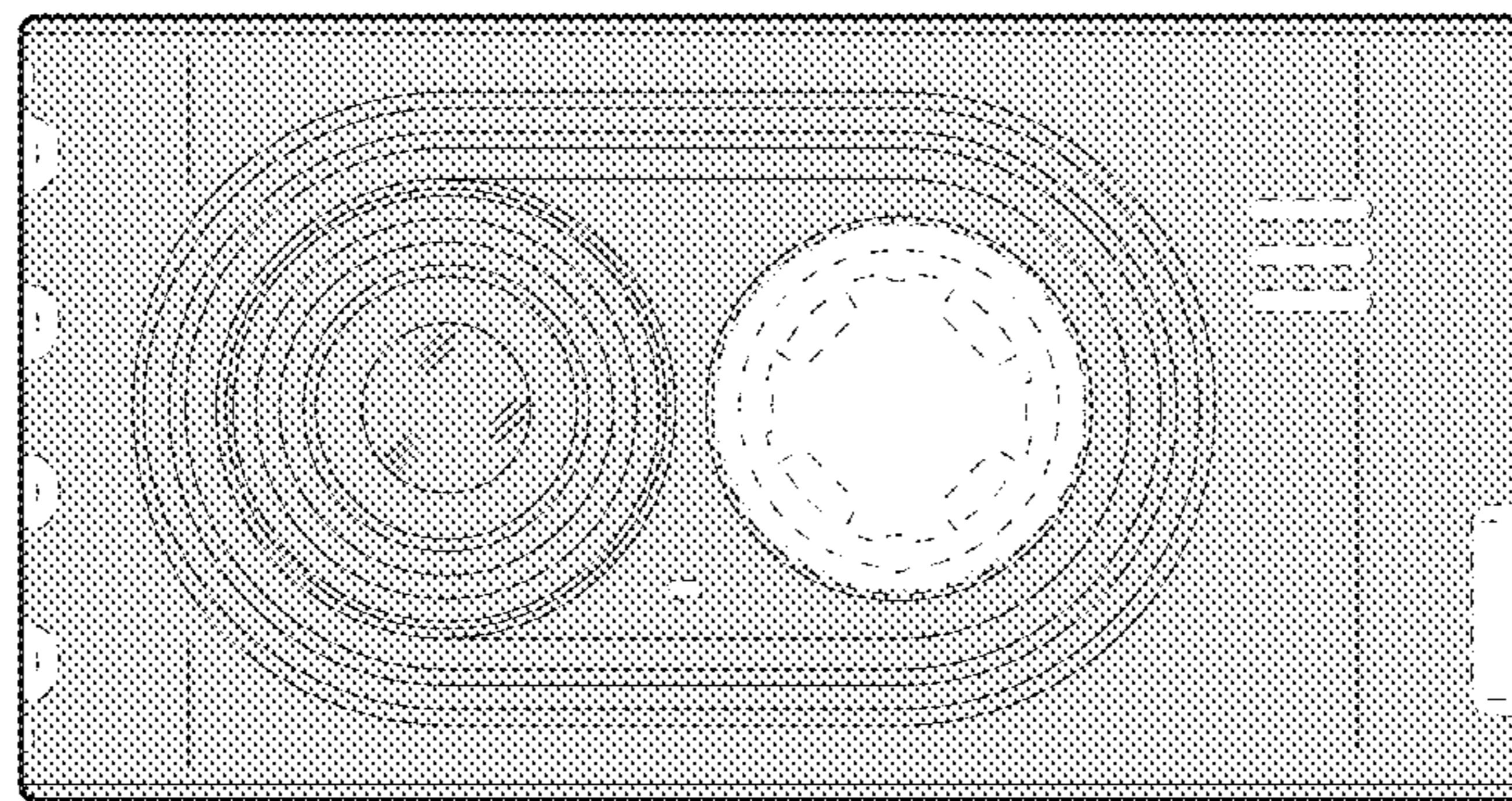


Fig. 4

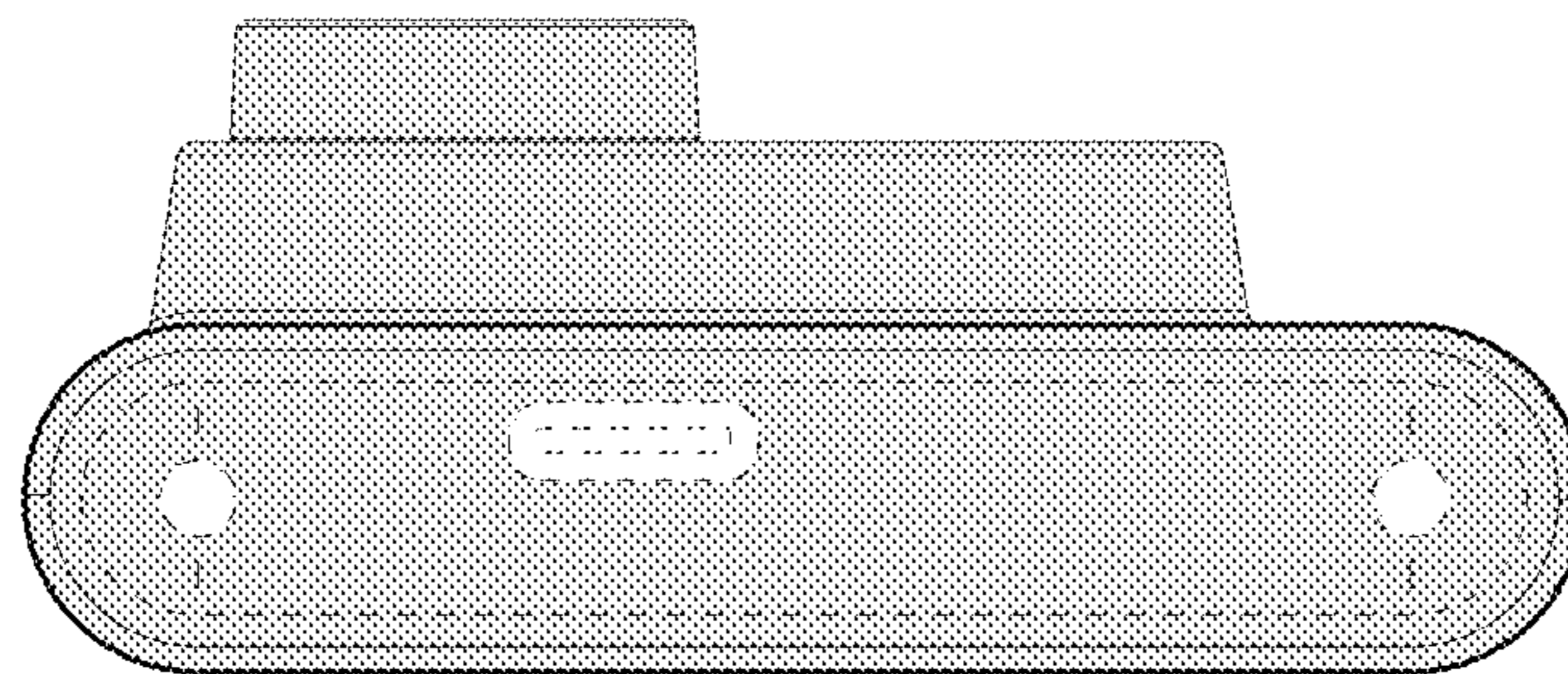


Fig. 5

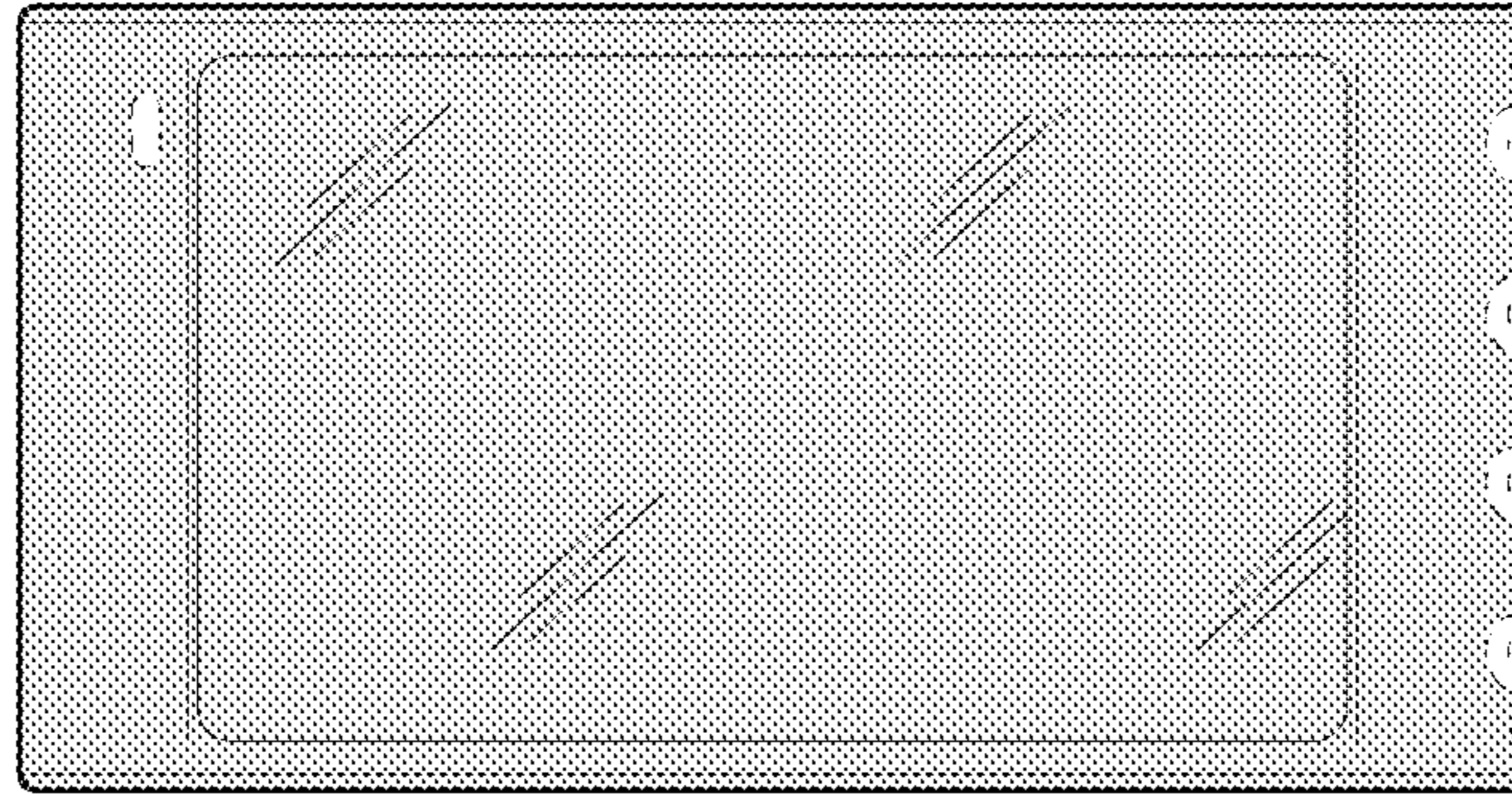


Fig. 6

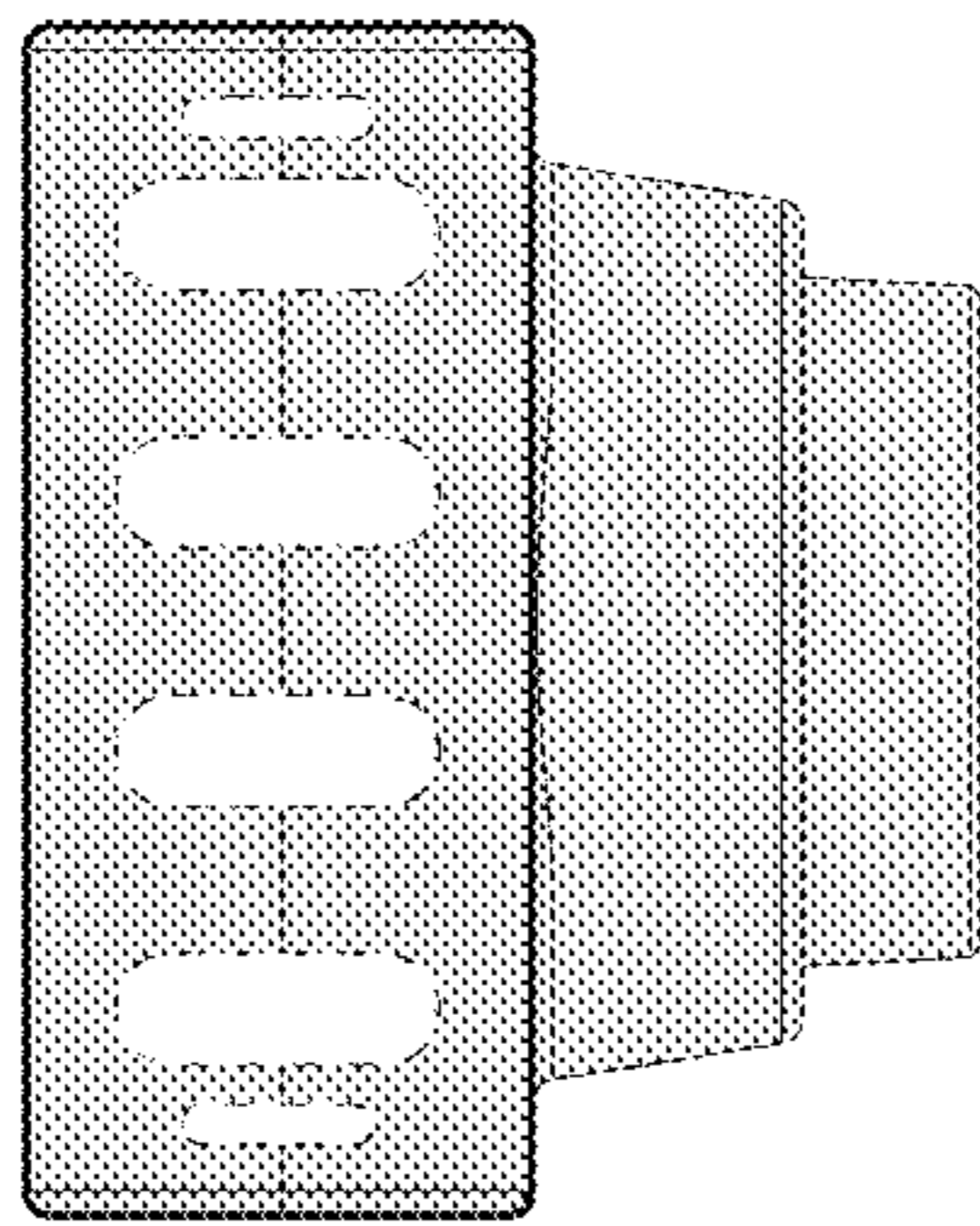


Fig. 7

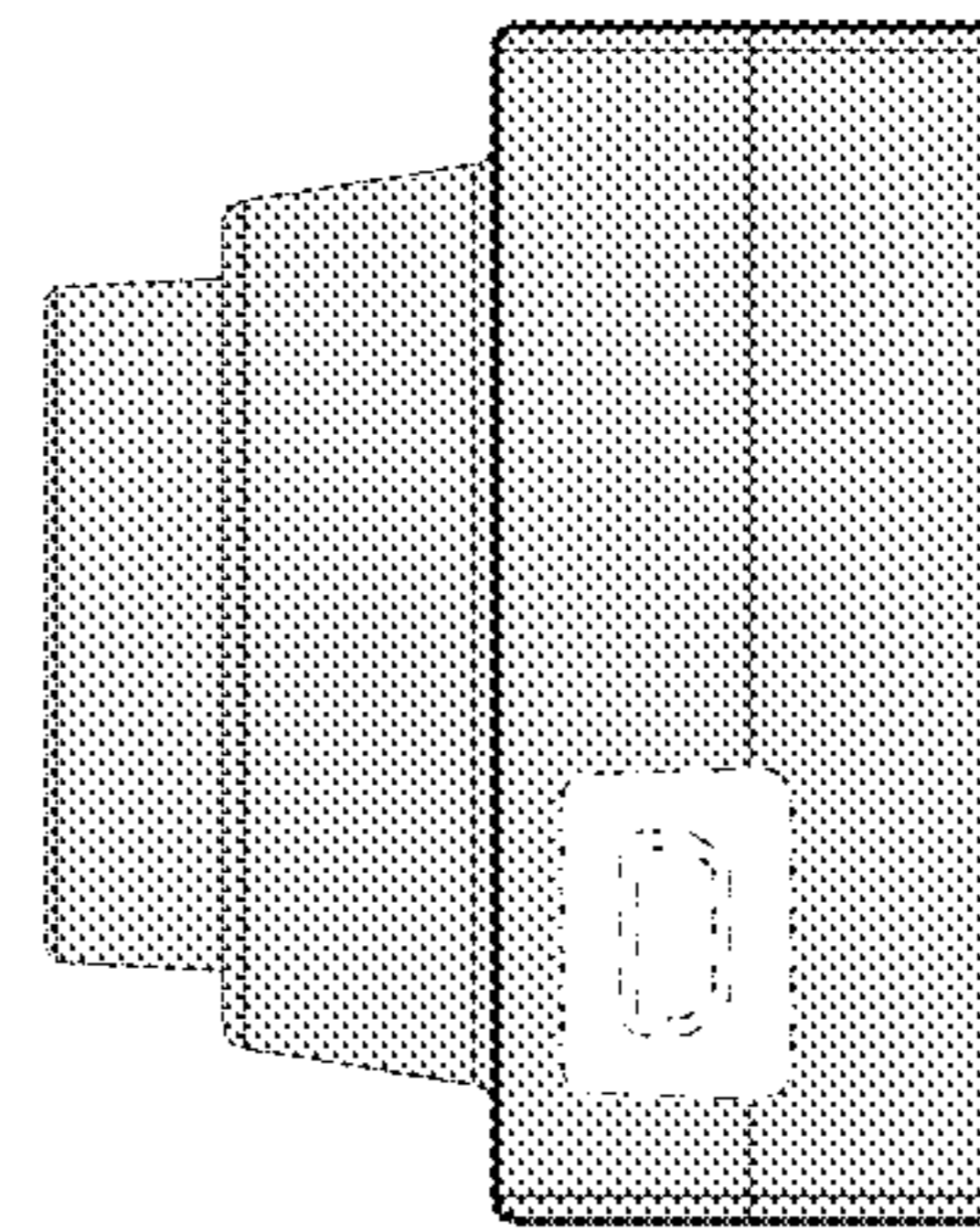


Fig. 8