



US00D777231S

(12) **United States Design Patent**
Ide et al.

(10) **Patent No.:** **US D777,231 S**
(45) **Date of Patent:** **** Jan. 24, 2017**

(54) **WIRE FEEDING APPARATUS FOR WELDING**

(71) Applicant: **DAIHEN CORPORATION**,
Osaka-shi, Osaka (JP)

(72) Inventors: **Daichi Ide**, Osaka (JP); **Ryuji Tanaka**,
Osaka (JP); **Junichi Wakita**, Osaka
(JP); **Yukiya Morita**, Osaka (JP); **Hisao
Miyahara**, Osaka (JP); **Gen Tsujii**,
Osaka (JP)

(73) Assignee: **DAIHEN CORPORATION**, Osaka
(JP)

(**) Term: **15 Years**

(21) Appl. No.: **29/559,152**

(22) Filed: **Mar. 24, 2016**

(30) **Foreign Application Priority Data**

Sep. 30, 2015 (JP) 2015-021511

(51) **LOC (10) Cl.** **15-09**

(52) **U.S. Cl.**
USPC **D15/144**

(58) **Field of Classification Search**
USPC D8/29.1, 30; D15/144, 144.1, 144.2
See application file for complete search history.

(56) **References Cited**

U.S. PATENT DOCUMENTS

- 2,880,305 A * 3/1959 Baird B23K 9/1336
219/137.31
- D243,459 S * 2/1977 Bliss D15/144
- D275,293 S * 8/1984 Bouman D15/144

- D280,329 S * 8/1985 Bouman D15/144
- D357,263 S * 4/1995 Soderholm D15/144.2
- D357,927 S * 5/1995 Soderholm D15/144.1
- 5,465,917 A * 11/1995 Kosch B65H 59/06
242/128
- D434,428 S * 11/2000 Kriek D15/144.2
- 6,479,795 B1 * 11/2002 Albrecht B23K 9/124
219/136

(Continued)

FOREIGN PATENT DOCUMENTS

- JP 1206811 S 5/2004
- JP 1402705 S 12/2010

(Continued)

Primary Examiner — Patricia Palasik

(74) *Attorney, Agent, or Firm* — Kilpatrick Townsend &
Stockton LLP

(57) **CLAIM**

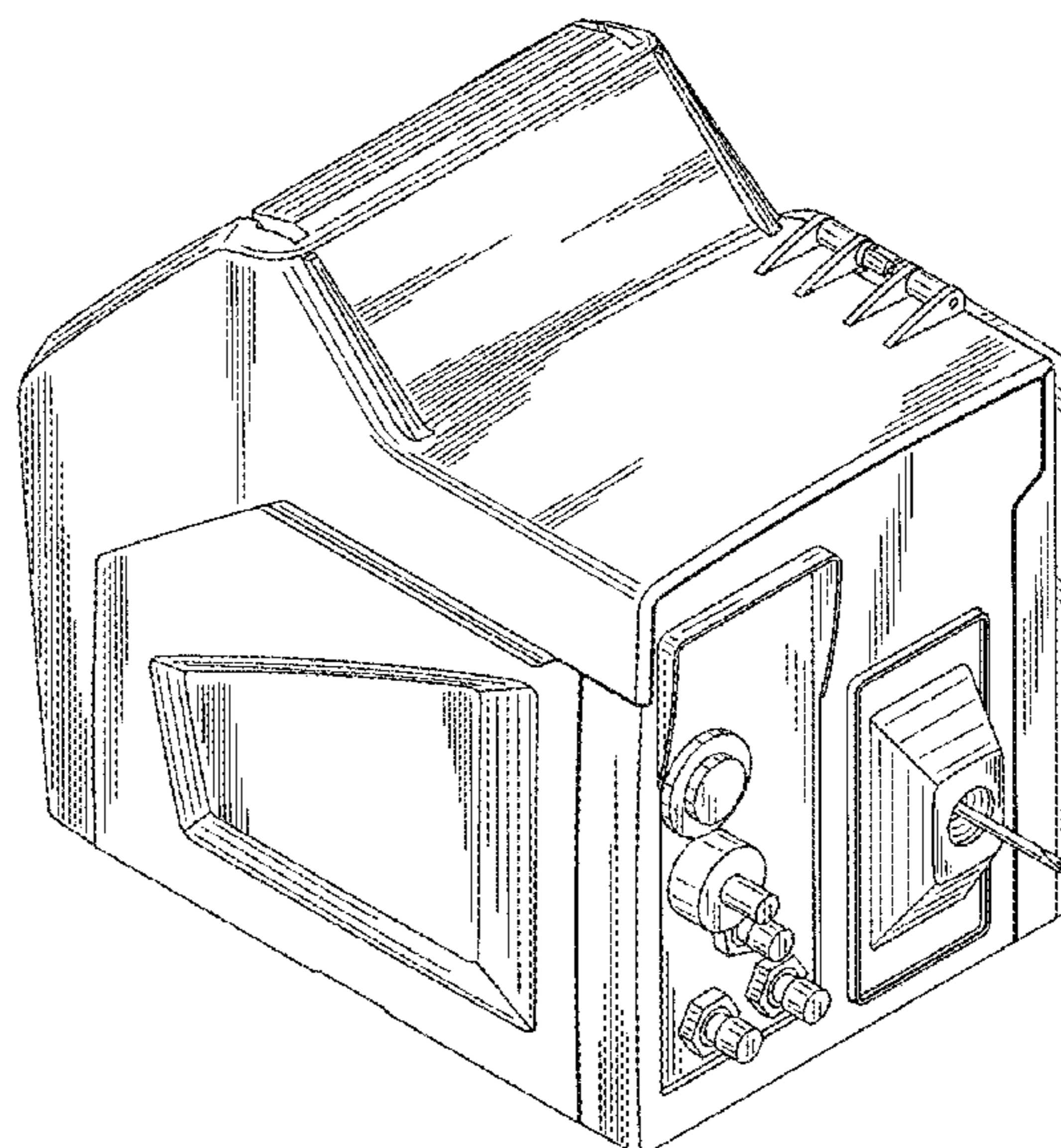
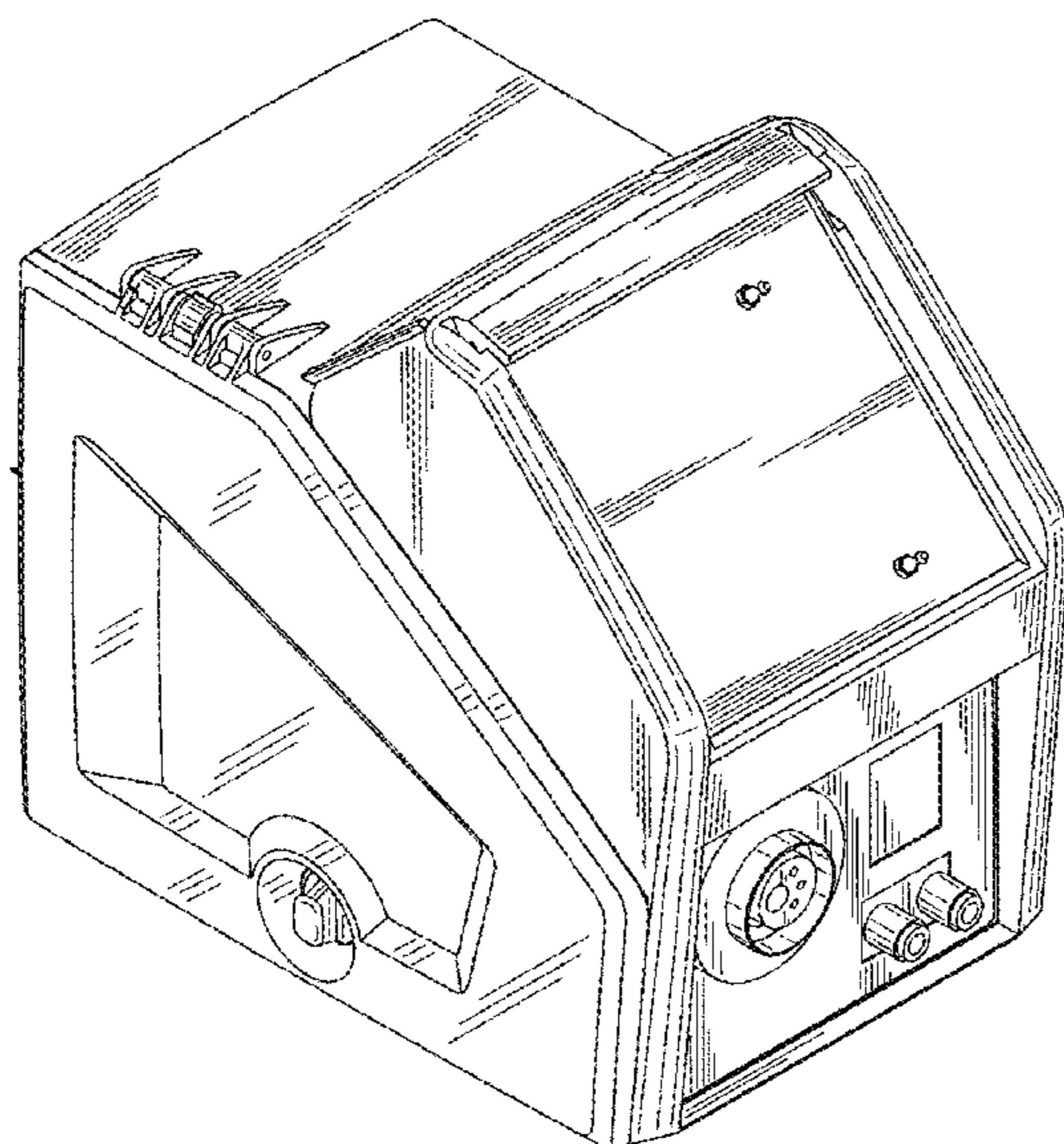
The ornamental design for a wire feeding apparatus for
welding, as shown and described.

DESCRIPTION

FIG. 1 is a front, top, and right side perspective view of a
wire feeding apparatus for welding showing our new design;
FIG. 2 is a rear, top, and left side perspective view thereof;
FIG. 3 is a front view thereof;
FIG. 4 is a rear view thereof;
FIG. 5 is a top plan view thereof;
FIG. 6 is a bottom plan view thereof;
FIG. 7 is a right side view thereof; and,
FIG. 8 is a left side view thereof.

The oblique line shading shown in the drawings indicates a
transparent or translucent surface. Internal structure of the
transparent or translucent surface is omitted. No claim is
made to any elements inside the transparent or translucent
surface.

1 Claim, 8 Drawing Sheets



(56)

References Cited

U.S. PATENT DOCUMENTS

D467,257 S * 12/2002 Andersson D15/144
 D518,078 S * 3/2006 Persson D15/144.1
 D520,038 S * 5/2006 Ljungfeldt D15/144.1
 D569,883 S * 5/2008 Wang D15/144
 D569,884 S * 5/2008 Shu D15/144
 D590,852 S * 4/2009 Killion D15/144
 D621,430 S * 8/2010 Christen D15/144
 D623,205 S * 9/2010 Flattinger D15/144
 D626,576 S * 11/2010 Gramatyka D15/144
 D642,604 S * 8/2011 Rohrer D15/144
 D652,436 S * 1/2012 Ostlund D15/144
 D653,271 S * 1/2012 Kindig D15/144
 D654,519 S * 2/2012 Wujczak D15/144
 D654,521 S * 2/2012 Flubacher D15/144
 D665,434 S * 8/2012 Mueller D15/144
 D665,833 S * 8/2012 Raymond D15/144
 D679,738 S * 4/2013 Segala D15/144
 D727,986 S * 4/2015 Matiash D15/144
 D733,777 S * 7/2015 Miller D15/144
 2004/0182845 A1* 9/2004 Crisler, III B23K 9/1006
 219/130.1
 2005/0199606 A1* 9/2005 Enyedy B23K 9/1336
 219/137.7

2006/0157461 A1* 7/2006 Diekmann B23K 9/1336
 219/137.71
 2006/0207981 A1* 9/2006 Diekmann B23K 9/1336
 219/137.2
 2007/0039934 A1* 2/2007 Enyedy B23K 9/1336
 219/137.71
 2007/0284352 A1* 12/2007 Lynaugh B23K 9/323
 219/137.2
 2008/0156783 A1* 7/2008 Vanden Heuvel B23K 9/125
 219/137.2
 2009/0166345 A1* 7/2009 Enyedy B23K 9/133
 219/137.2
 2009/0277882 A1* 11/2009 Bornemann B23K 10/00
 219/121.39
 2010/0051595 A1* 3/2010 Diedrick B23K 9/124
 219/137 R
 2010/0314373 A1* 12/2010 Patterson B65H 51/14
 219/136
 2014/0238965 A1* 8/2014 Spisic B23K 9/1087
 219/132

FOREIGN PATENT DOCUMENTS

JP 1512449 S 11/2014
 JP 1512450 S 11/2014
 JP 1512451 S 11/2014

* cited by examiner

FIG. 1

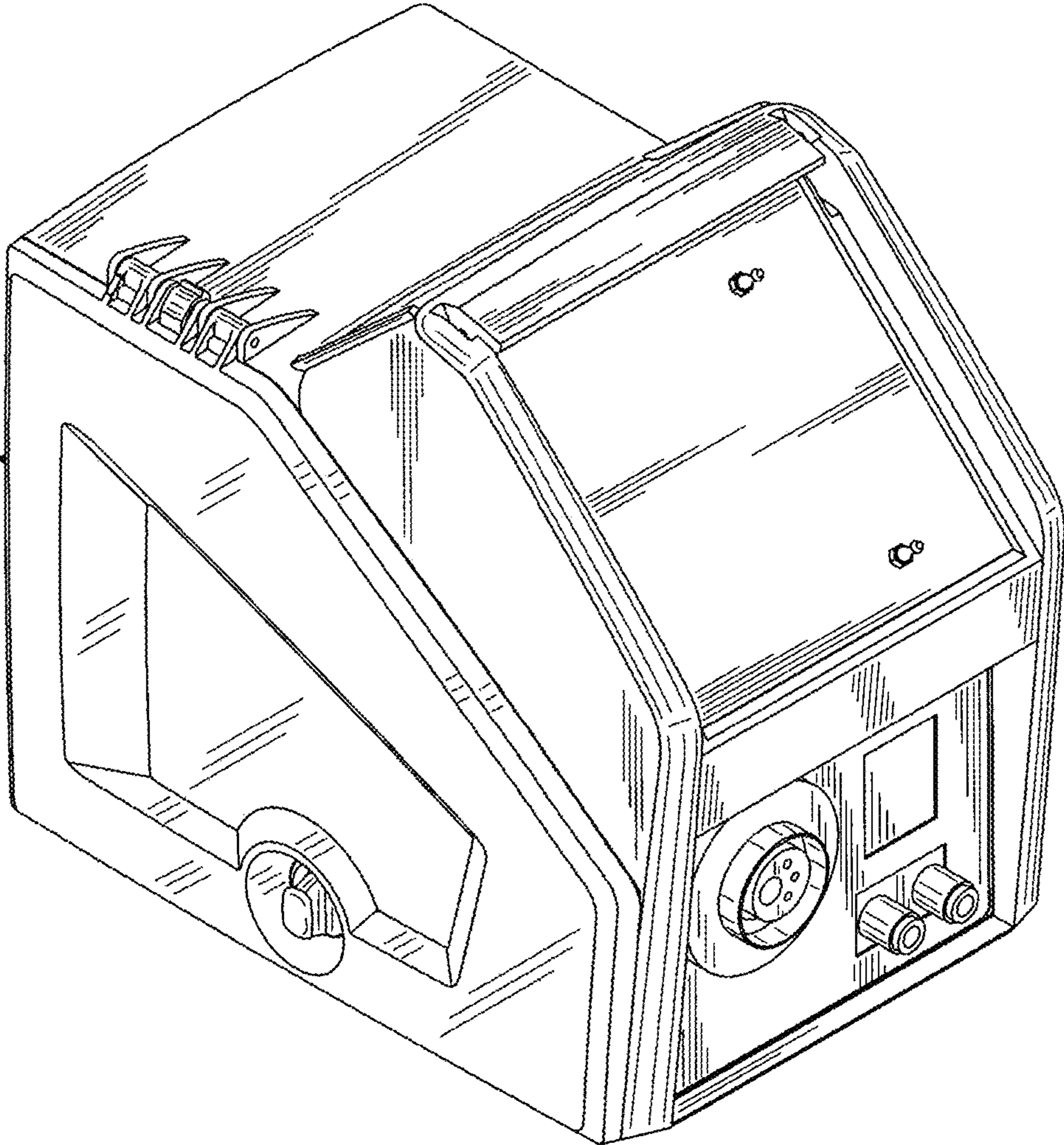


FIG. 2

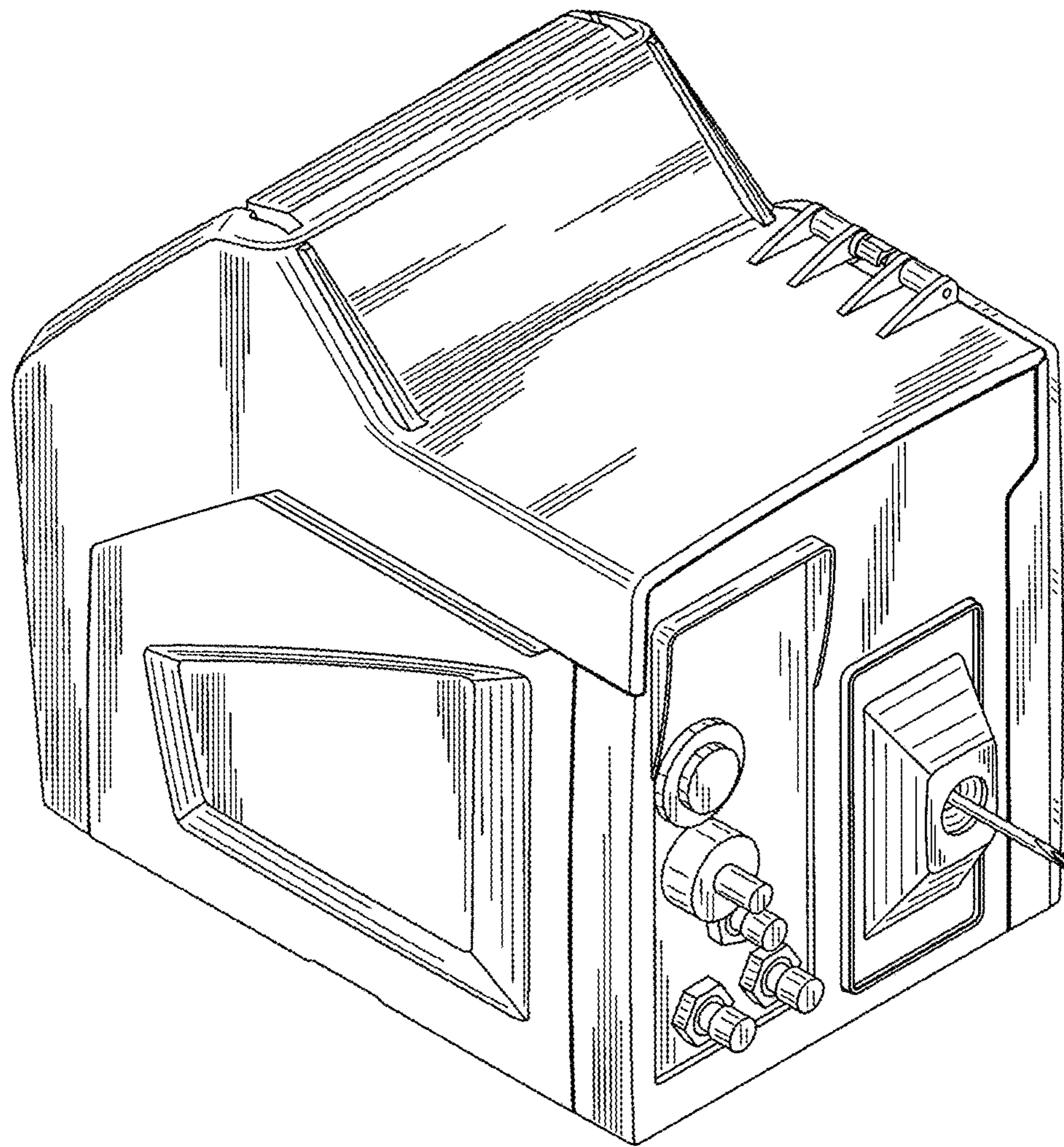


FIG. 3

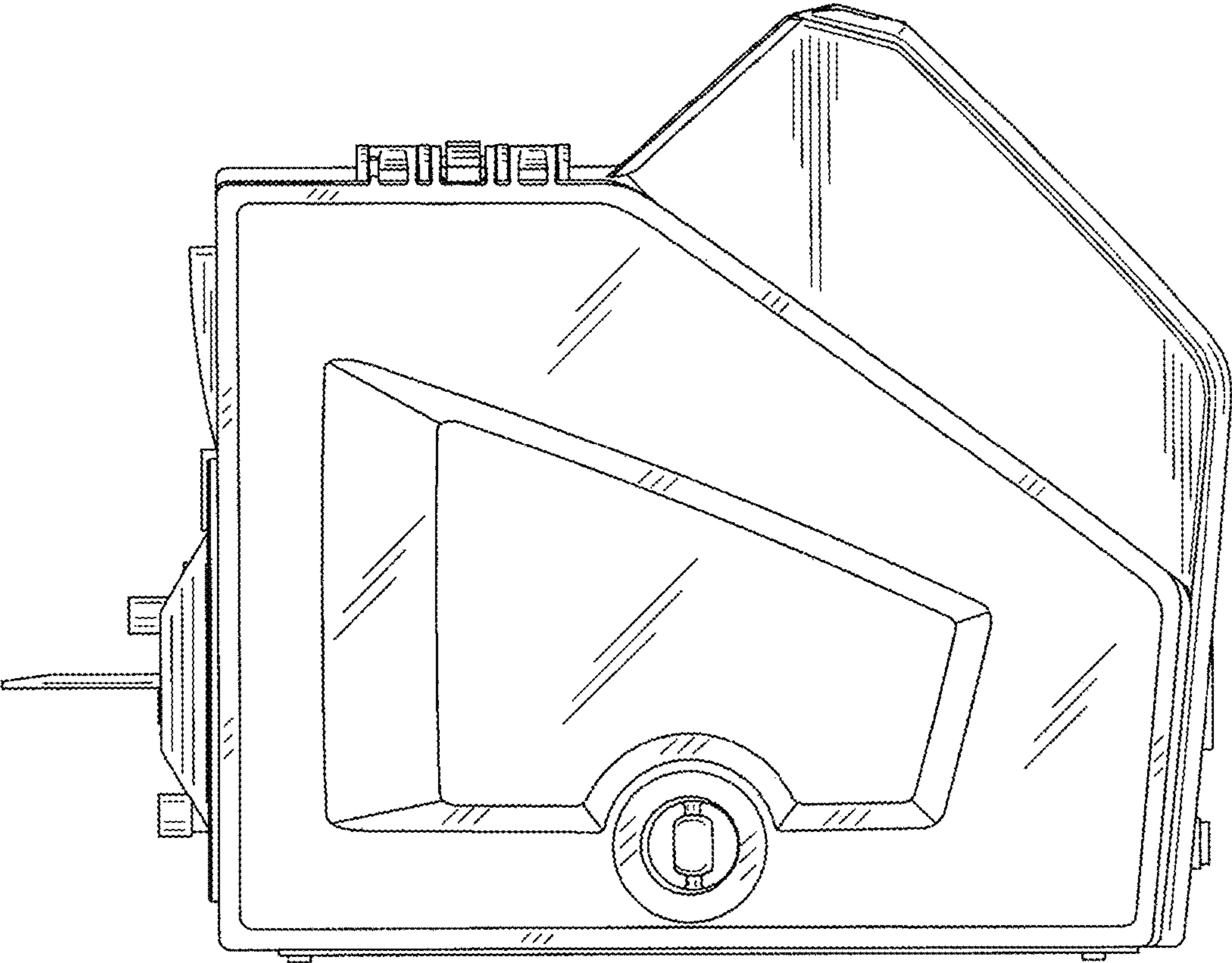


FIG. 4

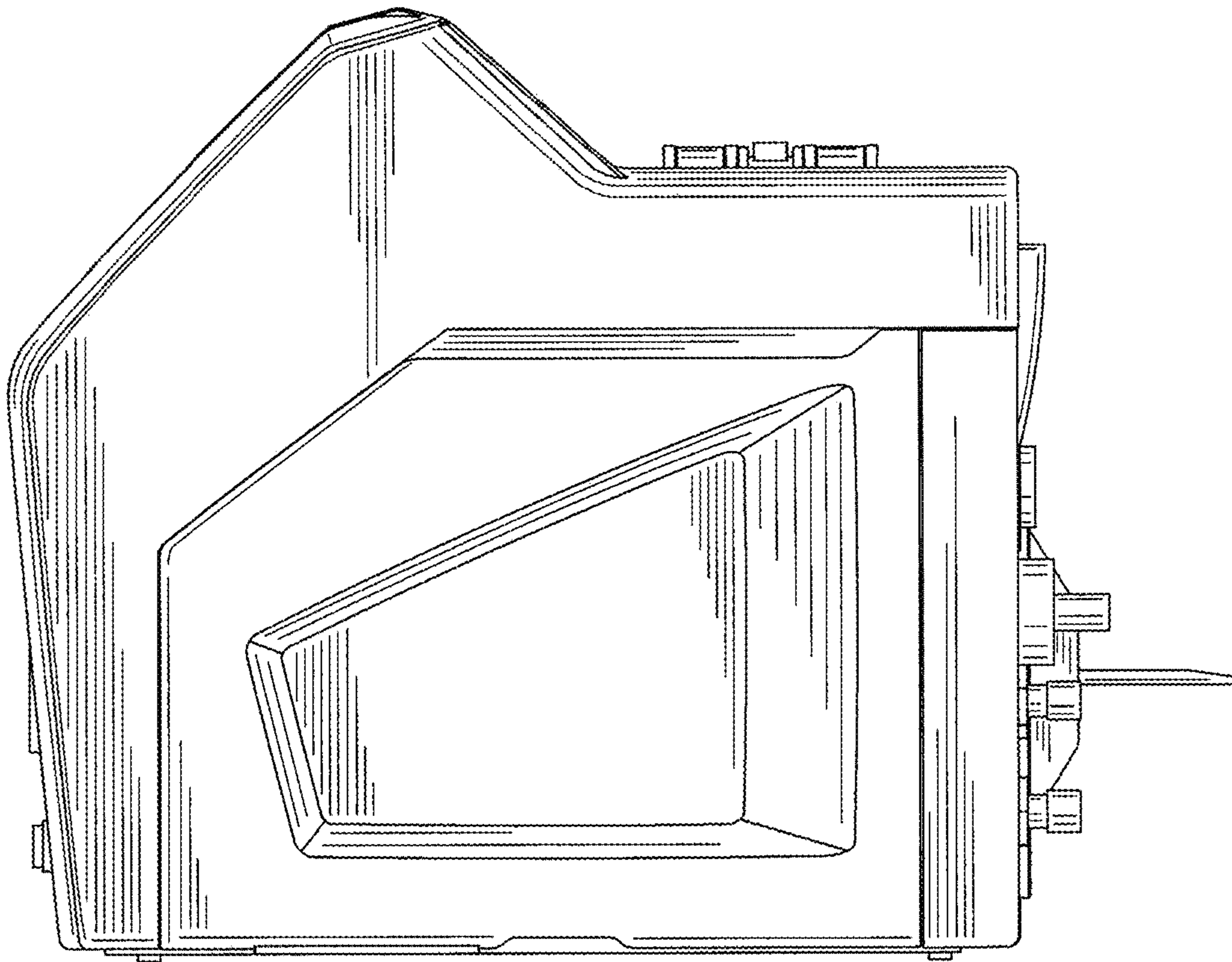


FIG. 5

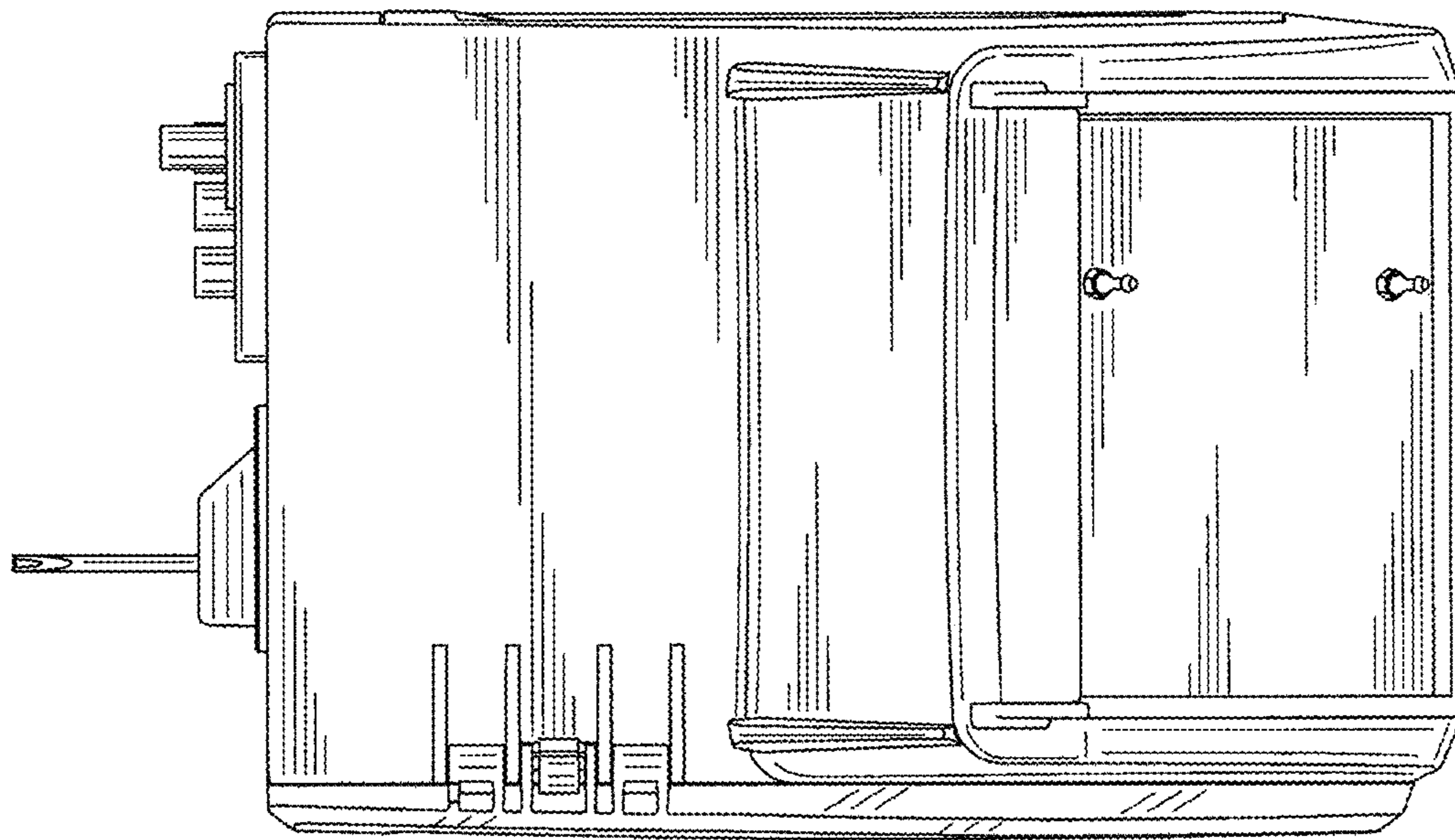


FIG. 6

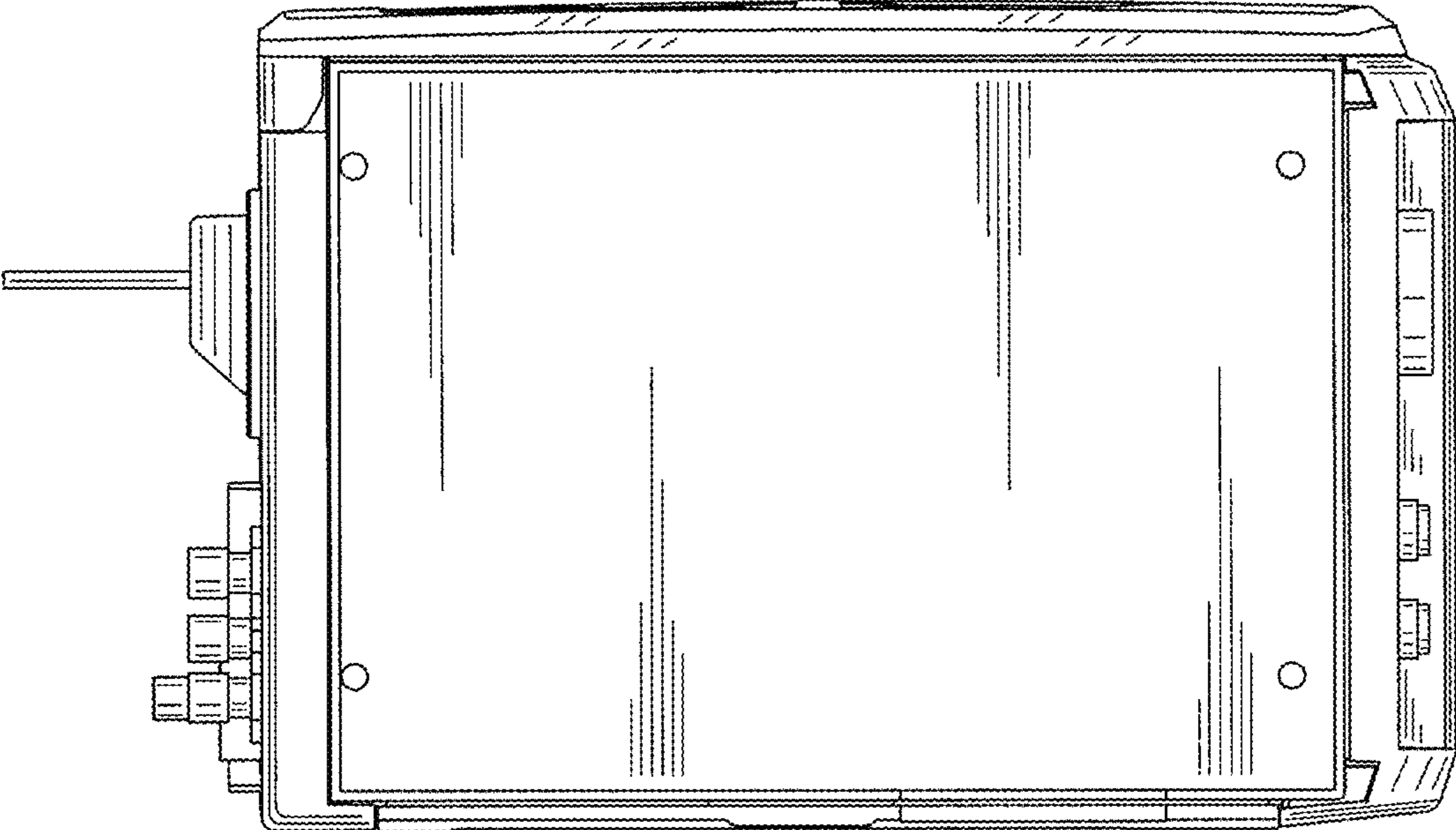


FIG. 7

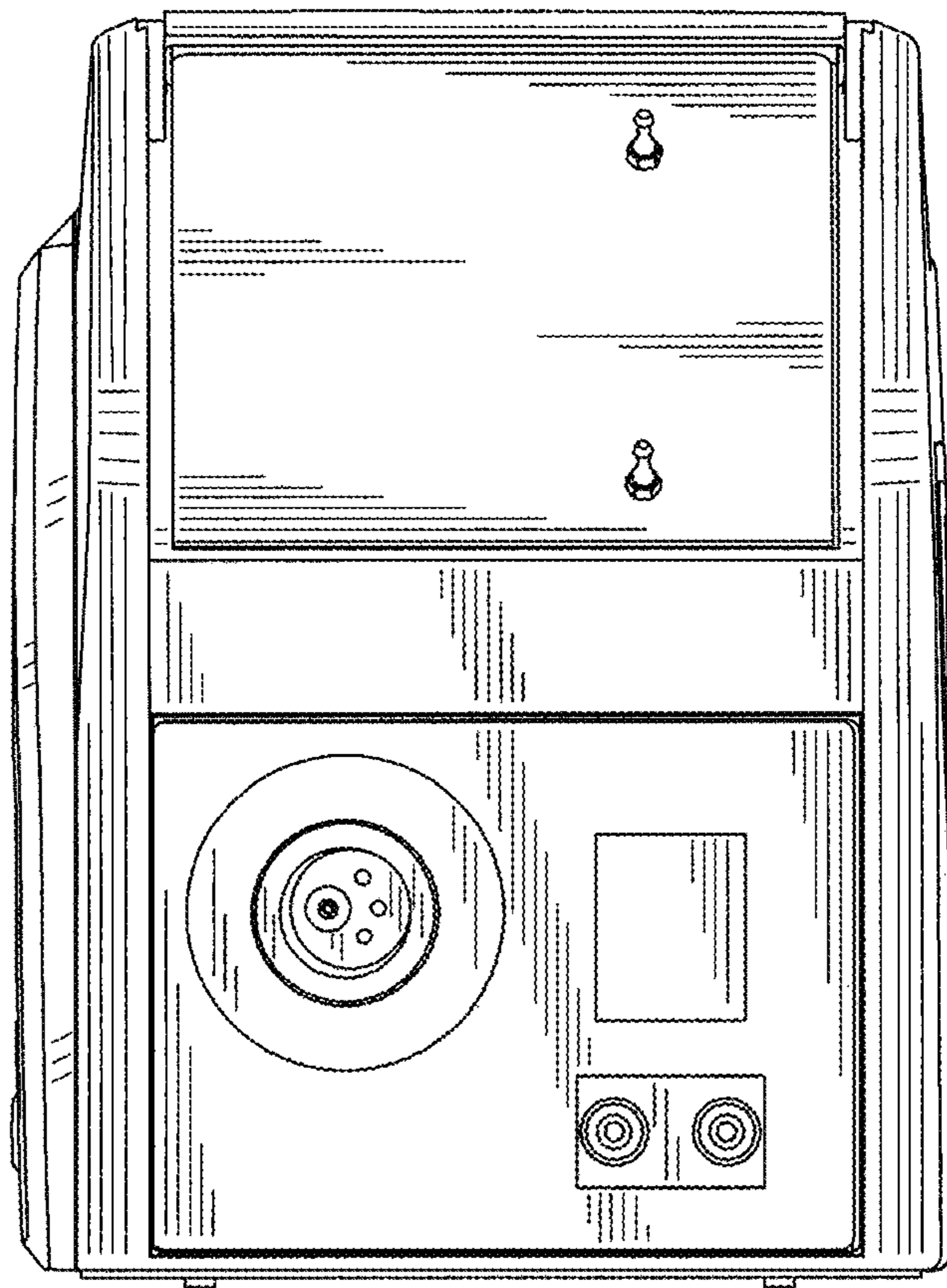


FIG. 8

