



US00D777229S

(12) **United States Design Patent**  
**Scott**

(10) **Patent No.:** **US D777,229 S**  
(45) **Date of Patent:** **\*\* Jan. 24, 2017**

(54) **AIR CHUCK**  
(71) Applicant: **Steven Richard Scott**, Curlew, WA  
(US)  
(72) Inventor: **Steven Richard Scott**, Curlew, WA  
(US)  
(73) Assignee: **Motion Pro Inc.**, Loomis, CA (US)

(\*\*) Term: **14 Years**

(21) Appl. No.: **29/520,787**

(22) Filed: **Mar. 18, 2015**

(51) **LOC (10) Cl.** ..... **15-09**

(52) **U.S. Cl.**  
USPC ..... **D15/138; D10/85**

(58) **Field of Classification Search**  
USPC ..... D10/46, 52, 55, 56, 58, 60, 81; D15/140  
See application file for complete search history.

(56) **References Cited**

**U.S. PATENT DOCUMENTS**

1,362,699	A *	12/1920	Holmes	.....	F16L 37/42 251/149.1
1,503,663	A *	8/1924	Price	.....	B60S 5/043 137/224
1,505,491	A *	8/1924	Price	.....	B60C 23/00 137/224
1,613,527	A *	1/1927	Norgren	.....	B60C 29/064 251/149.1
1,672,755	A *	6/1928	Engelbert	.....	B60C 29/064 137/454.5
1,701,162	A *	2/1929	Norgren	.....	F16K 21/04 137/454.2
1,784,822	A *	12/1930	Crowley	.....	F16K 31/58 137/540

1,800,393	A *	4/1931	Perry	.....	B60S 5/04 137/229
1,853,723	A *	4/1932	Crowley	.....	B60S 5/04 251/149.2
1,867,253	A *	7/1932	Crowley	.....	B60C 29/064 251/149.1
1,933,610	A *	11/1933	Wahl	.....	B60S 5/043 137/228
2,003,039	A *	5/1935	Crowley	.....	B60C 29/064 137/231

(Continued)

*Primary Examiner* — Patricia Palasik  
(74) *Attorney, Agent, or Firm* — Larry B. Guernsey;  
Patent Law Office of Larry Guernsey

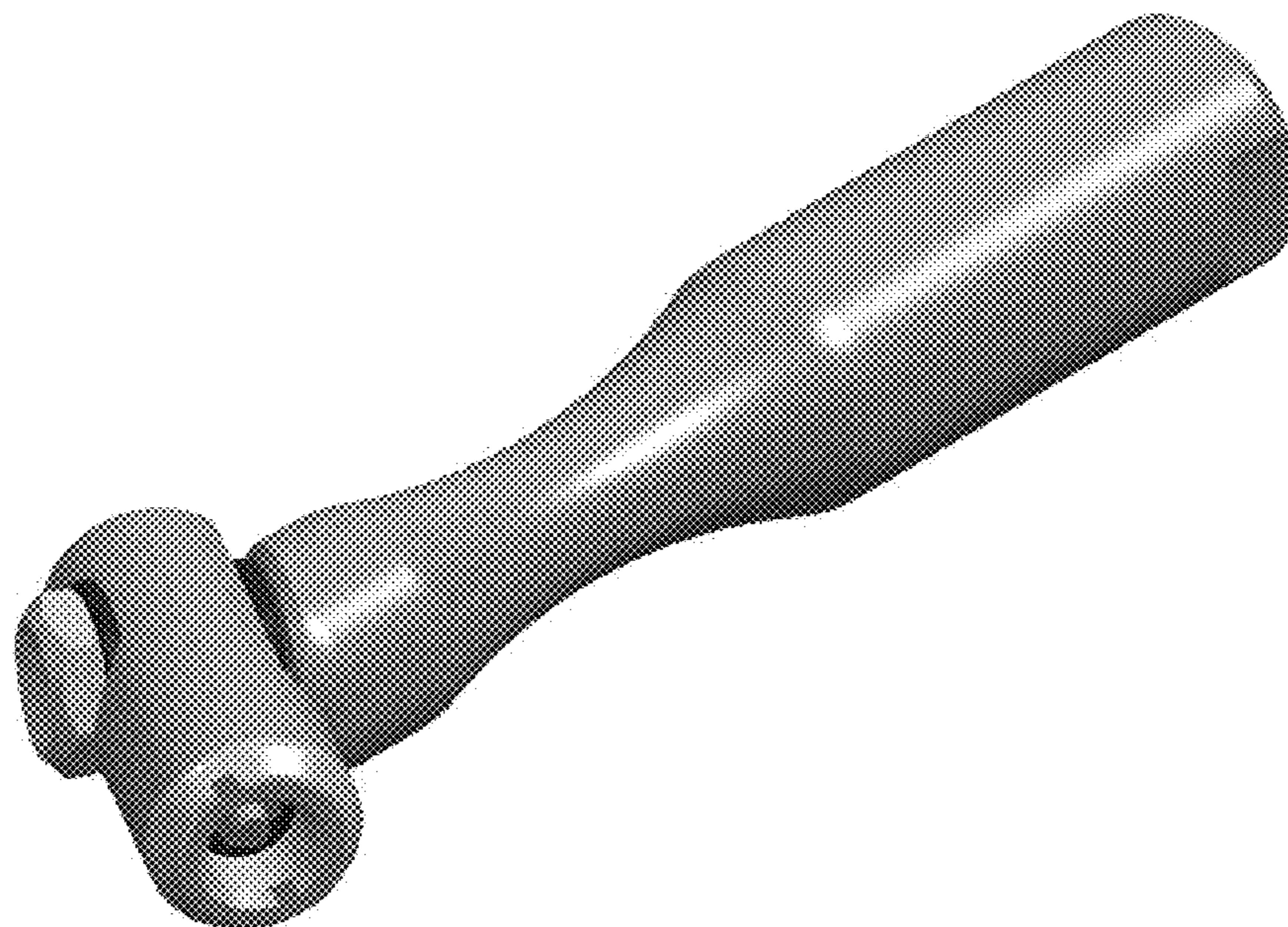
(57) **CLAIM**

The ornamental design for an air chuck, as shown and described.

**DESCRIPTION**

FIG. 1 is a top plan view of an ornamental design for an air chuck of the present invention;  
FIG. 2 is a front view of an ornamental design for an air chuck of the present invention;  
FIG. 3 is a right side view of an ornamental design for an air chuck of the present invention;  
FIG. 4 is a rear view of an ornamental design for an air chuck of the present invention;  
FIG. 5 is a left side view of an ornamental design for an air chuck of the present invention;  
FIG. 6 is a bottom plan view of an ornamental design for an air chuck of the present invention;  
FIG. 7 is a right side isometric view of an ornamental design for an air chuck of the present invention; and,  
FIG. 8 is a left side isometric view of an ornamental design for an air chuck of the present invention.

**1 Claim, 8 Drawing Sheets**





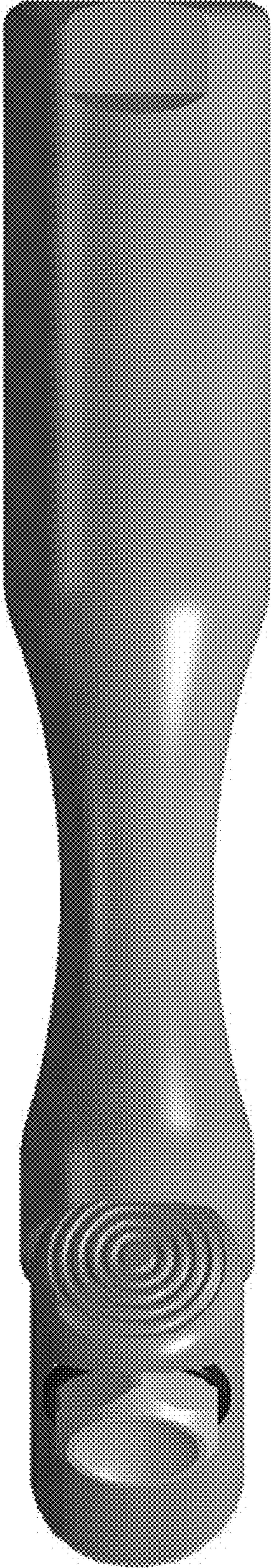


FIGURE 1

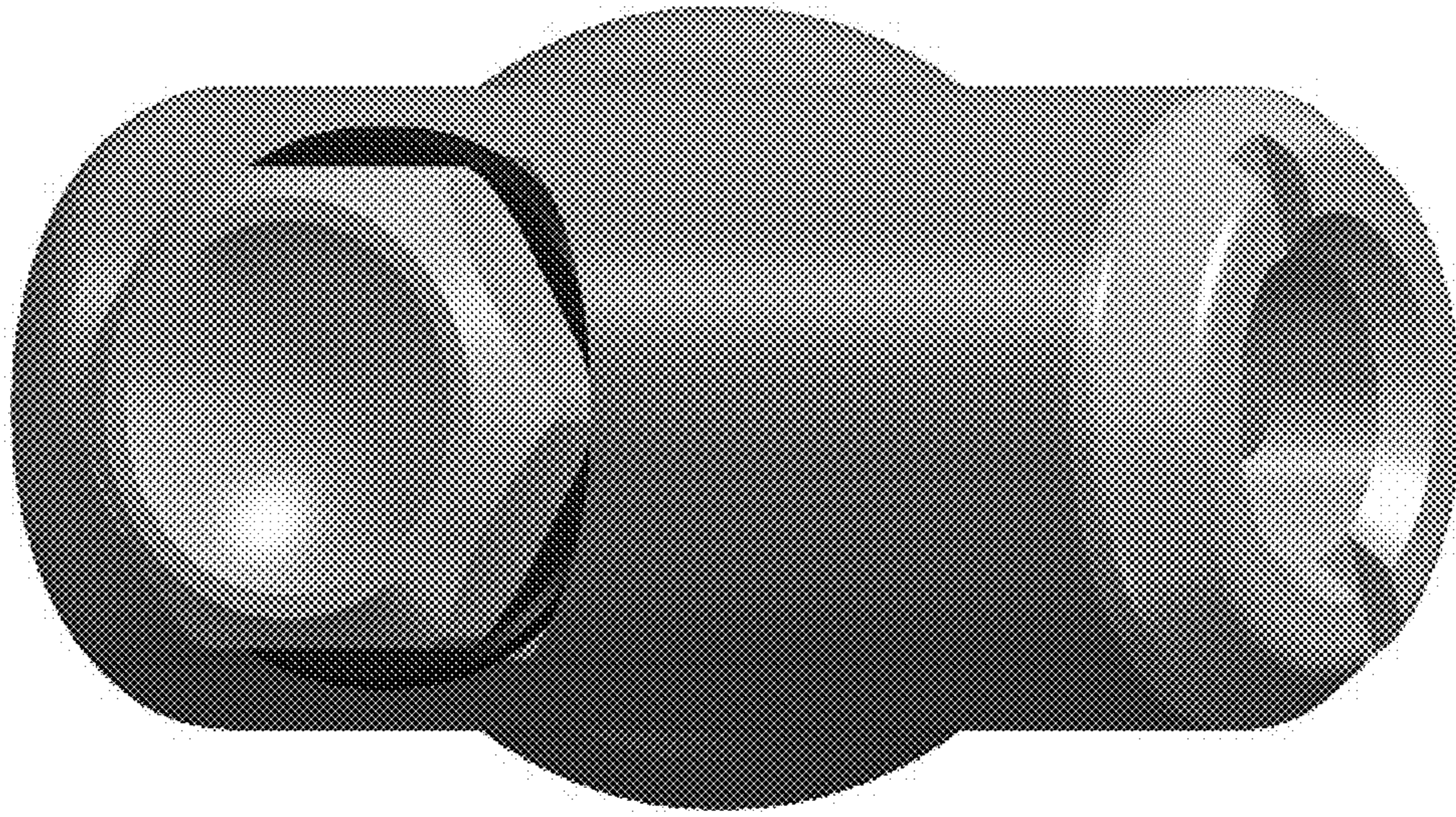


FIGURE 2

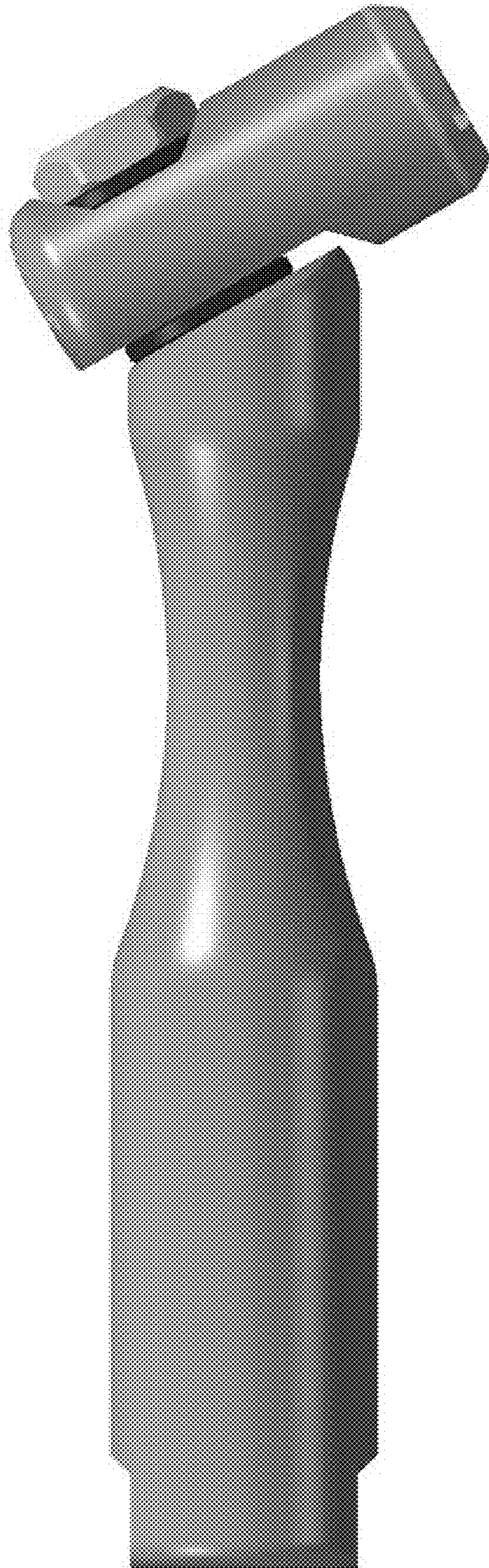


FIGURE 3

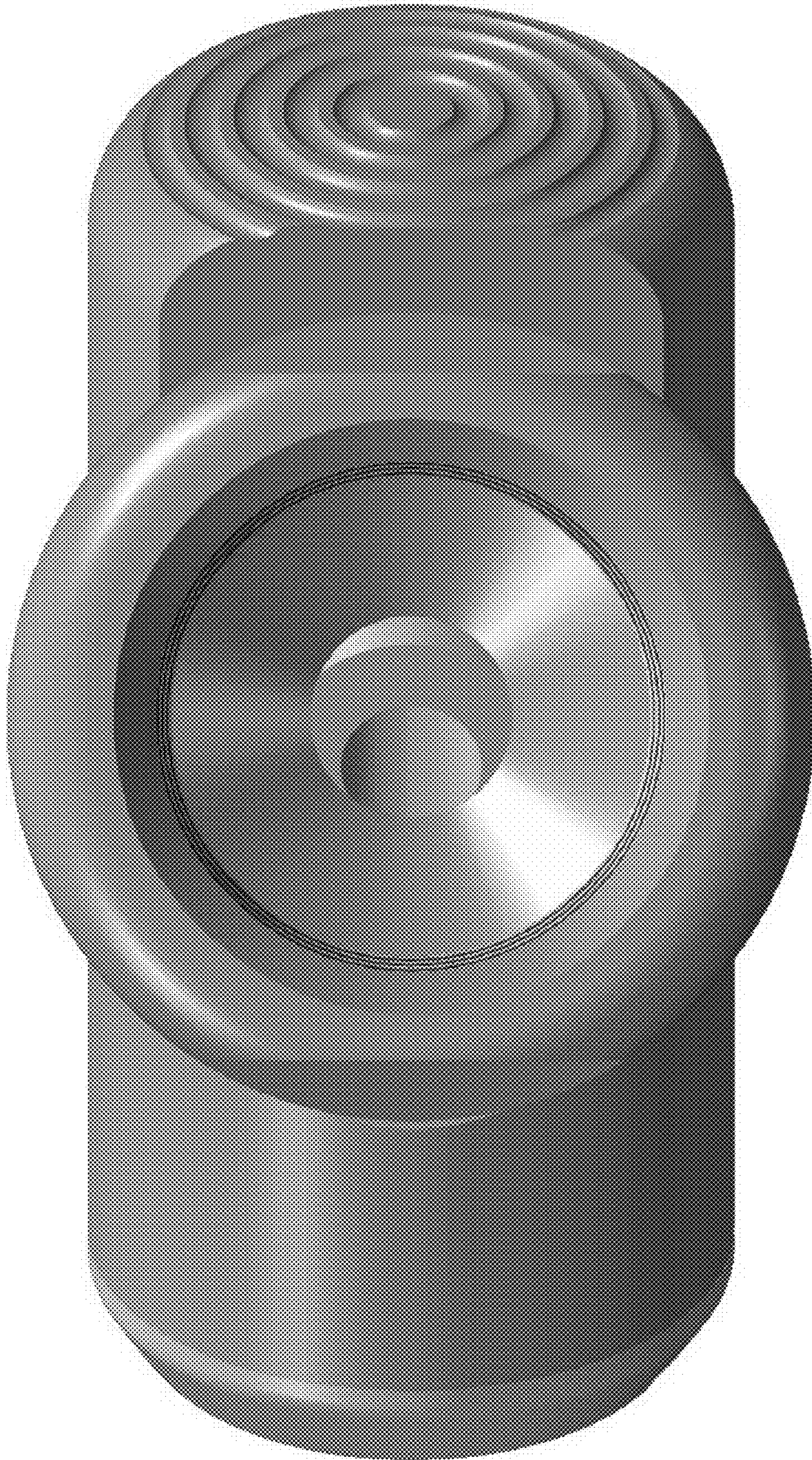


FIGURE 4



FIGURE 5

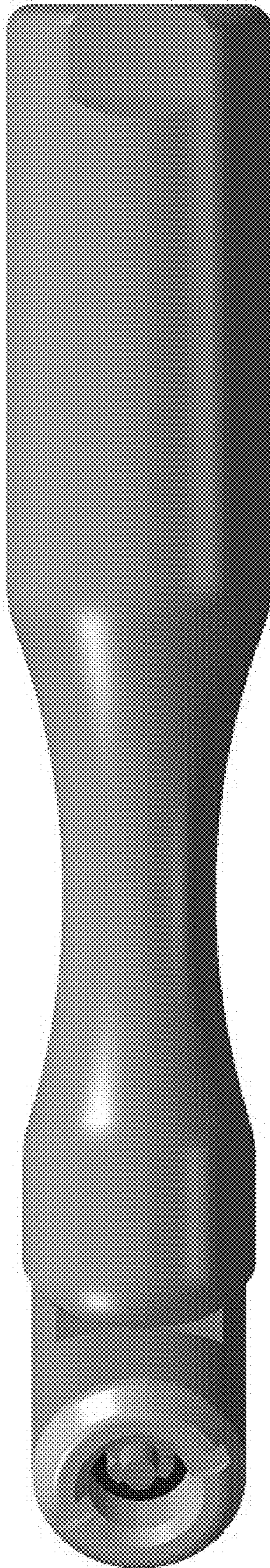


FIGURE 6



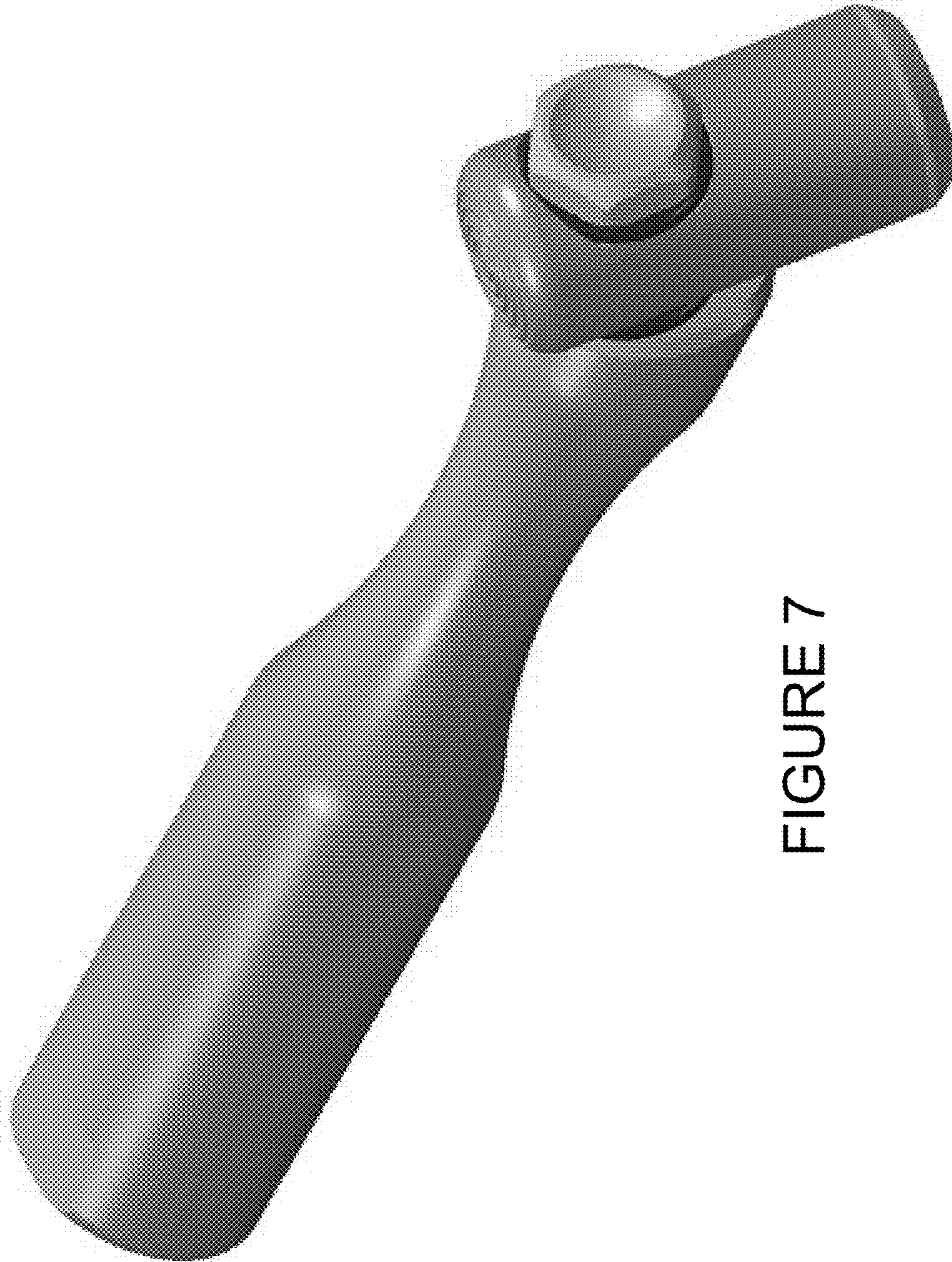


FIGURE 7

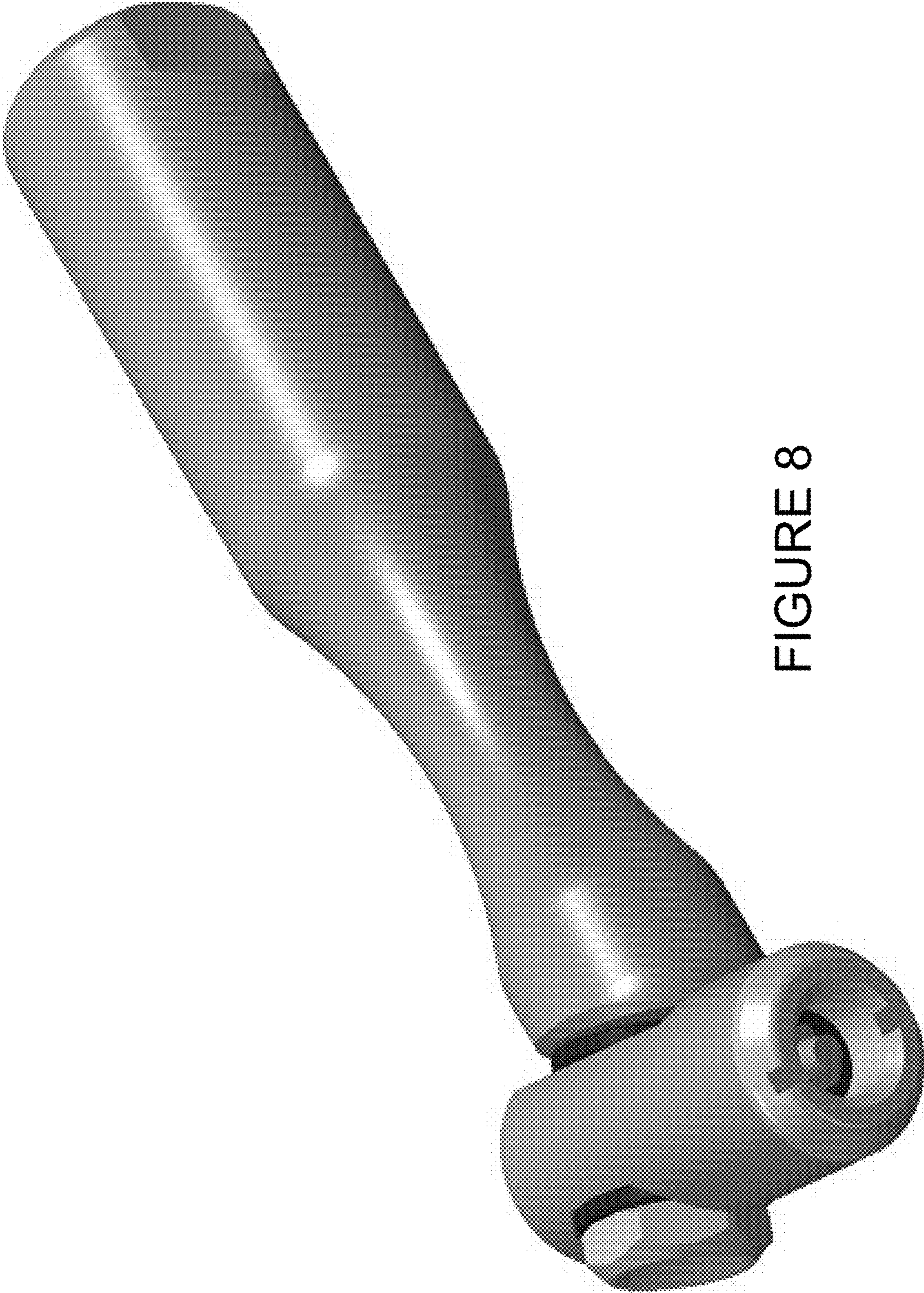


FIGURE 8