



US00D777228S

(12) **United States Design Patent**  
**Chang et al.**

(10) **Patent No.:** **US D777,228 S**  
(45) **Date of Patent:** **\*\* Jan. 24, 2017**

- (54) **3D PRINTER**
- (71) Applicants: **XYZPRINTING, INC.**, New Taipei (TW); **KINPO ELECTRONICS, INC.**, New Taipei (TW); **CAL-COMP ELECTRONICS & COMMUNICATIONS COMPANY LIMITED**, New Taipei (TW)
- (72) Inventors: **Che-Wei Chang**, New Taipei (TW); **Wen-Chun Chung**, New Taipei (TW); **Chun-An Hsu**, New Taipei (TW)
- (73) Assignees: **XYZPRINTING, INC.**, New Taipei (TW); **KINPO ELECTRONICS, INC.**, New Taipei (TW); **CAL-COMP ELECTRONICS & COMMUNICATIONS COMPANY LIMITED**, New Taipei (TW)

D559,900 S *	1/2008	Kimura	.....	D18/50
D561,249 S *	2/2008	Smith	.....	D18/55
D613,319 S *	4/2010	Okamoto	.....	D15/145
D641,394 S *	7/2011	Inada	.....	D18/50
D694,317 S *	11/2013	Nakagawa	.....	D18/19
D694,319 S *	11/2013	Nakagawa	.....	D18/19
D696,315 S *	12/2013	Schmid	.....	D15/122
D722,108 S *	2/2015	Reches	.....	D18/50
8,945,456 B2 *	2/2015	Zenere	.....	B29C 67/0066 264/401
D732,586 S *	6/2015	Chen	.....	D15/122
D732,587 S *	6/2015	Hsu	.....	D15/122
D734,788 S *	7/2015	Reches	.....	D15/122
D736,838 S *	8/2015	Costabeber	.....	D15/122
D739,459 S *	9/2015	Murata	.....	D18/50

(Continued)

*Primary Examiner* — Patricia Palasik  
(74) *Attorney, Agent, or Firm* — Chun-Ming Shih; HDLS IPR Services

(\*\*) Term: **15 Years**

(21) Appl. No.: **29/550,637**

(22) Filed: **Jan. 5, 2016**

(51) **LOC (10) Cl.** ..... **15-09**

(52) **U.S. Cl.**  
USPC ..... **D15/122; D15/135**

(58) **Field of Classification Search**  
USPC ..... D15/122, 135, 138, 145, 146; D18/6-7,  
D18/14, 19, 50, 54, 54.1, 55, 59  
See application file for complete search history.

(56) **References Cited**

U.S. PATENT DOCUMENTS

D474,805 S *	5/2003	Gotham	.....	D18/50
D543,222 S *	5/2007	Pester	.....	D15/145
7,297,304 B2 *	11/2007	Swanson	.....	B29C 41/36 264/308

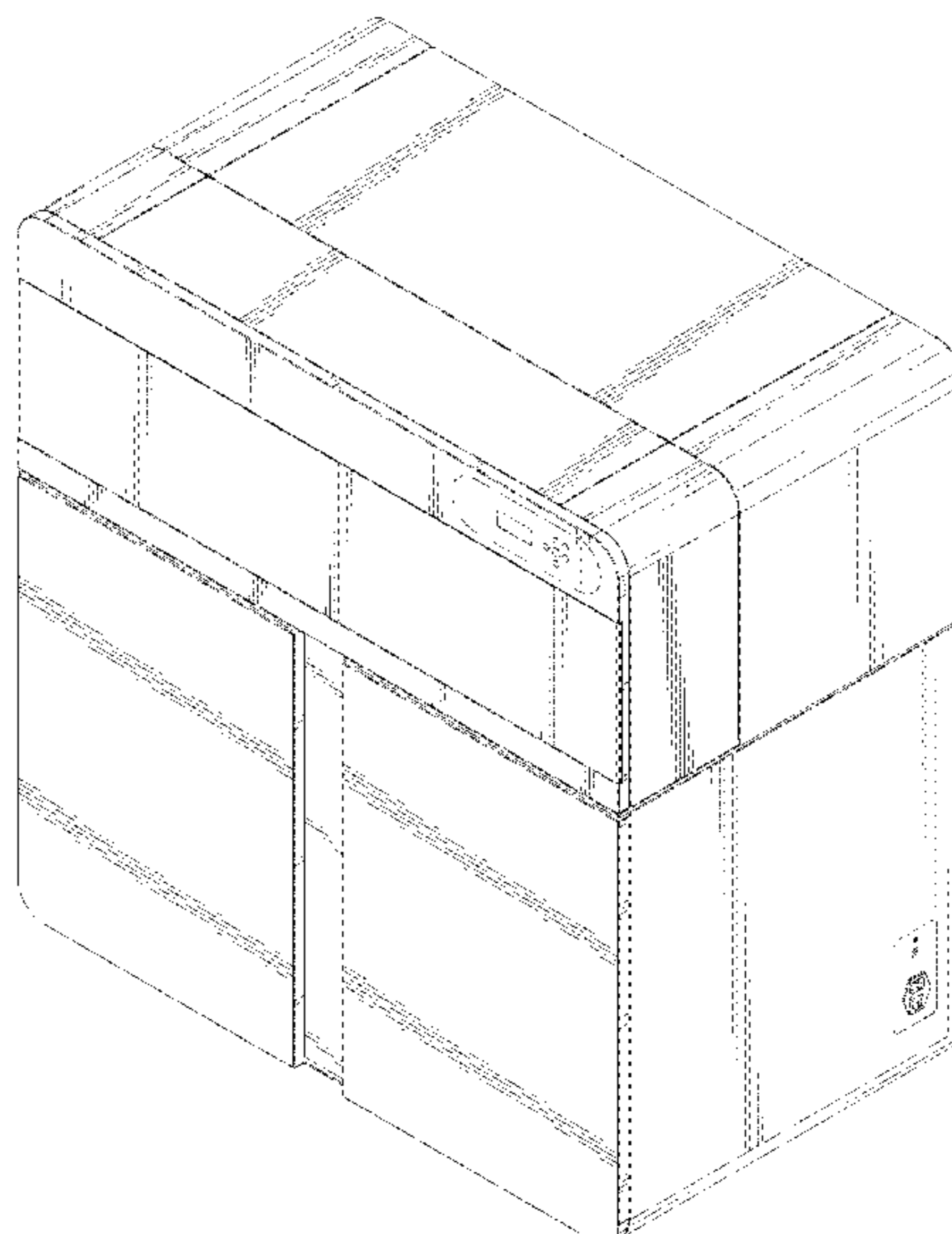
(57) **CLAIM**

The ornamental design for a 3D printer, as shown and described.

**DESCRIPTION**

FIG. 1 is a perspective view of a 3D printer showing our new design;  
FIG. 2 is a front view thereof;  
FIG. 3 is a rear view thereof;  
FIG. 4 is a left side view thereof;  
FIG. 5 is a right side view thereof;  
FIG. 6 is a top view thereof; and,  
FIG. 7 is a bottom view thereof.  
FIG. 8 is a perspective view showing the 3D printer in a first condition of use; and,  
FIG. 9 is second perspective view showing the 3D printer in a second condition of use.  
The broken lines shown represent unclaimed environmental subject matter.

**1 Claim, 9 Drawing Sheets**



(56)

**References Cited**

U.S. PATENT DOCUMENTS

D739,885	S	*	9/2015	Lee	.....	D15/122
D740,863	S	*	10/2015	Kemperle	.....	D15/122
D742,439	S	*	11/2015	Kraibuhler	.....	D15/122
D750,162	S	*	2/2016	Ozawa	.....	D18/19
D751,612	S	*	3/2016	Kojima	.....	D15/122
D753,741	S	*	4/2016	Lee	.....	D15/145
D754,763	S	*	4/2016	Kraibuhler	.....	D15/122
D755,860	S	*	5/2016	Busato	.....	D15/122
D757,132	S	*	5/2016	Liu	.....	D15/122
D763,330	S	*	8/2016	Olive	.....	D15/122
D766,998	S	*	9/2016	Kao	.....	D15/122
D770,545	S	*	11/2016	Olive	.....	D15/122
D771,164	S	*	11/2016	Noorazar	.....	D15/122
2015/0352788	A1	*	12/2015	Livingston	.....	B65D 11/20 264/401

\* cited by examiner

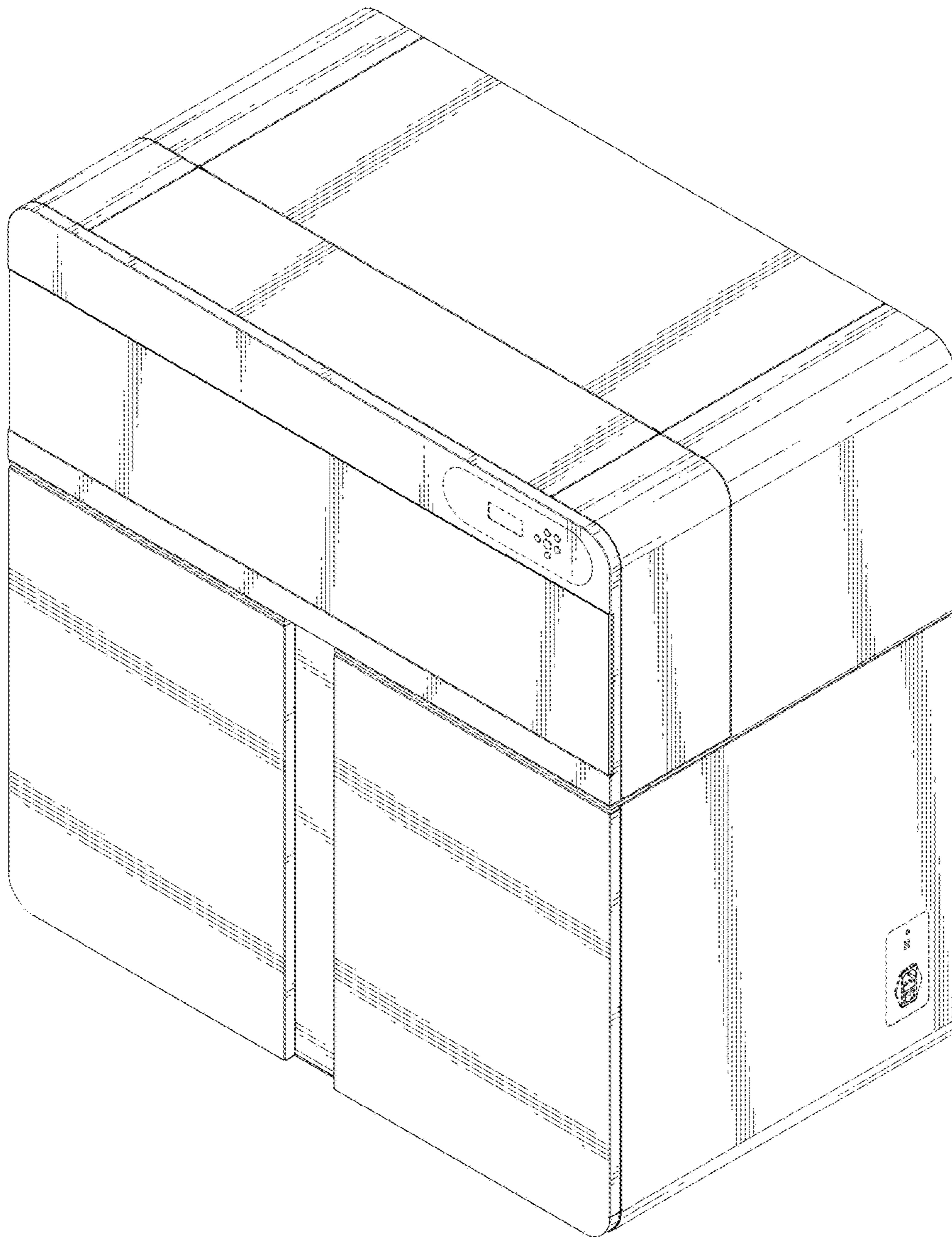


FIG. 1

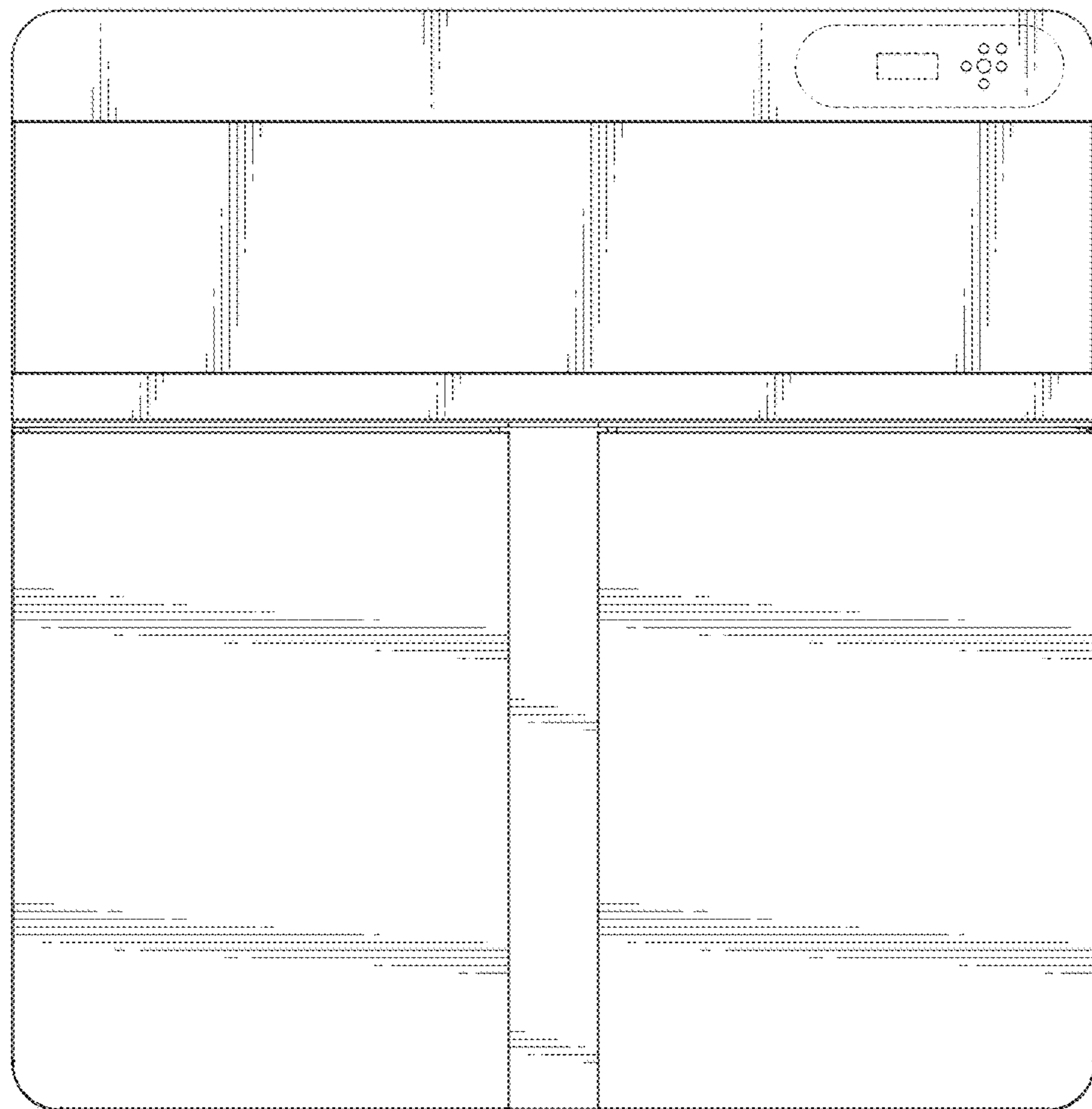


FIG. 2

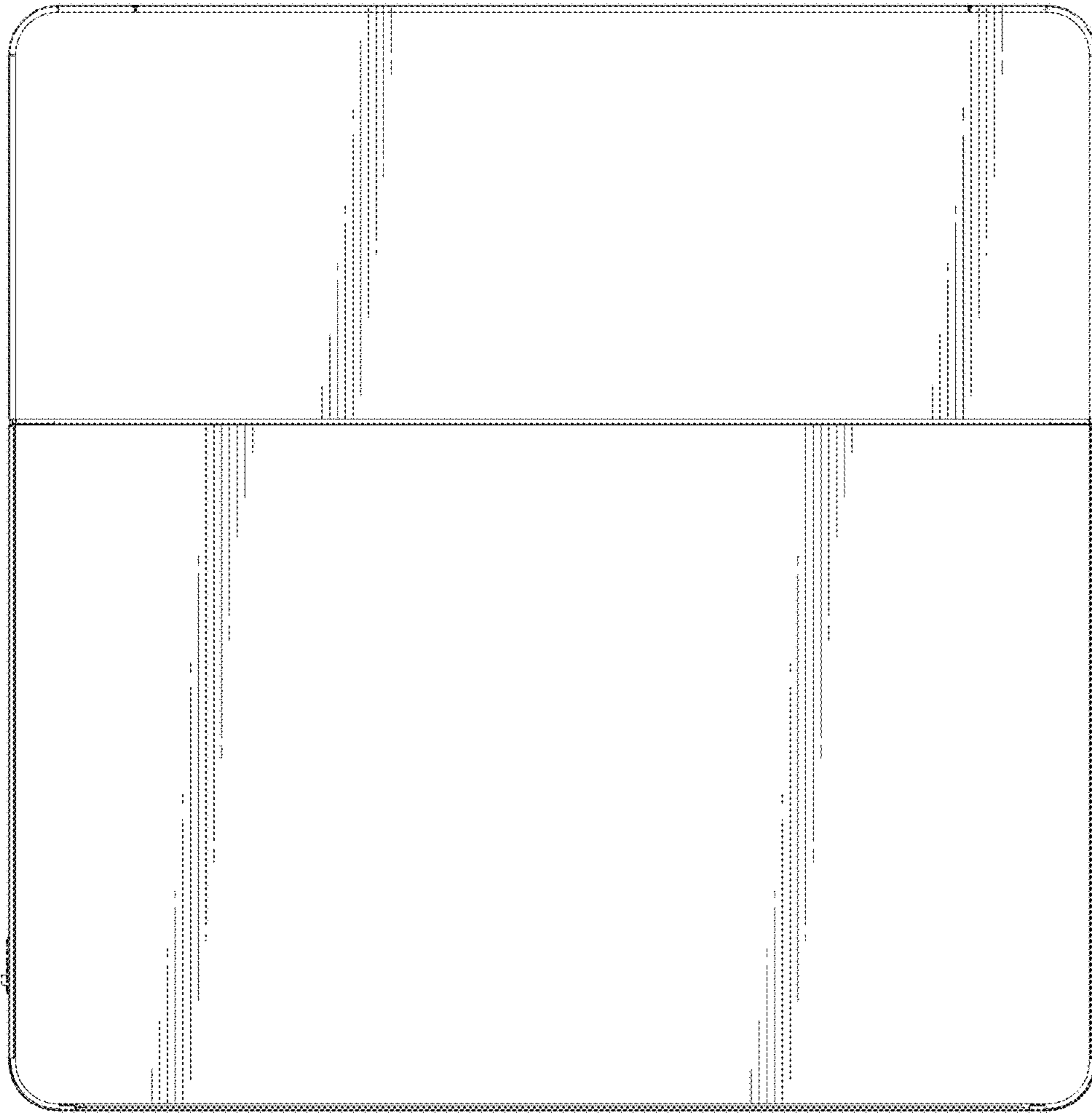


FIG.3

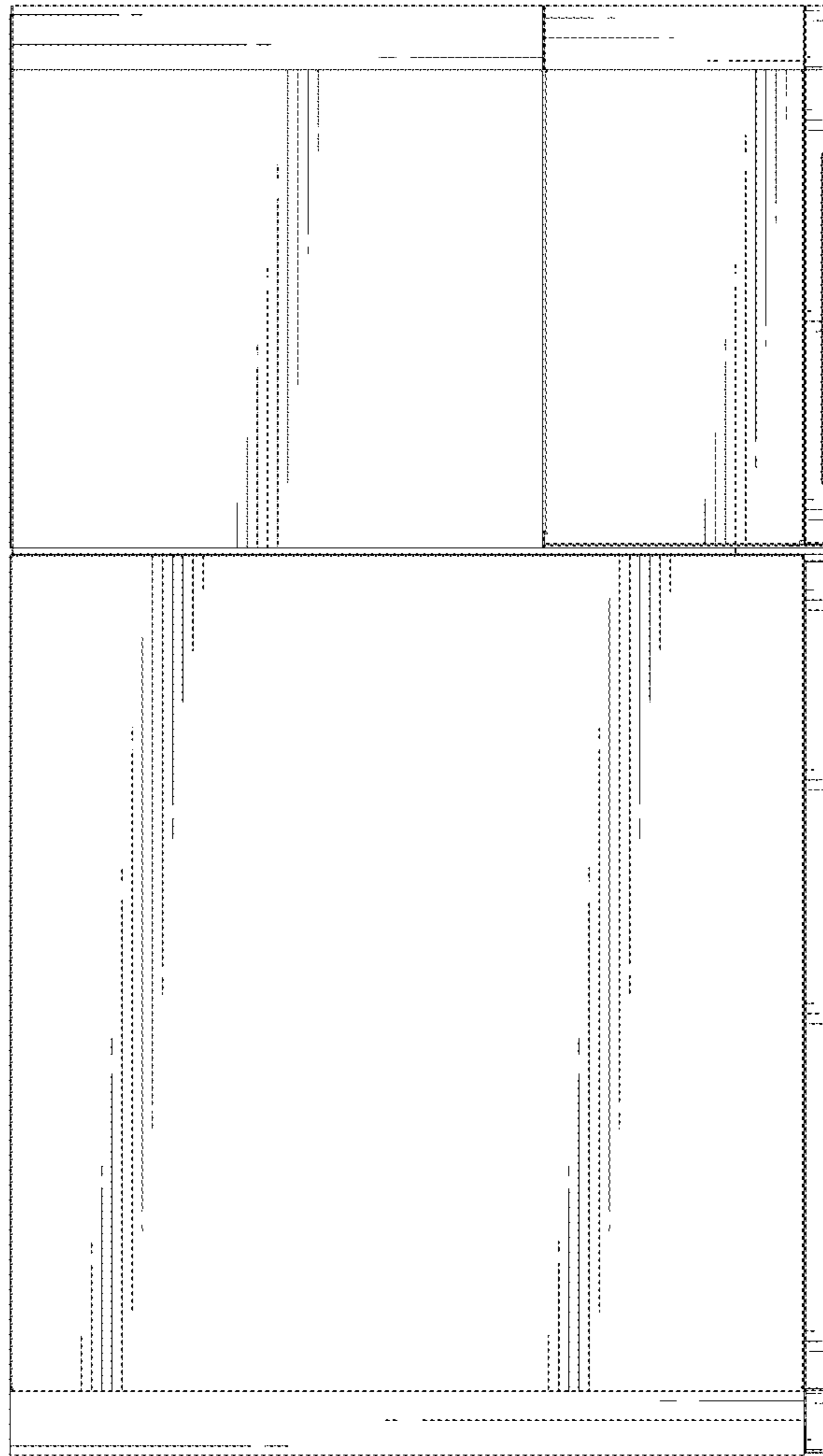


FIG.4

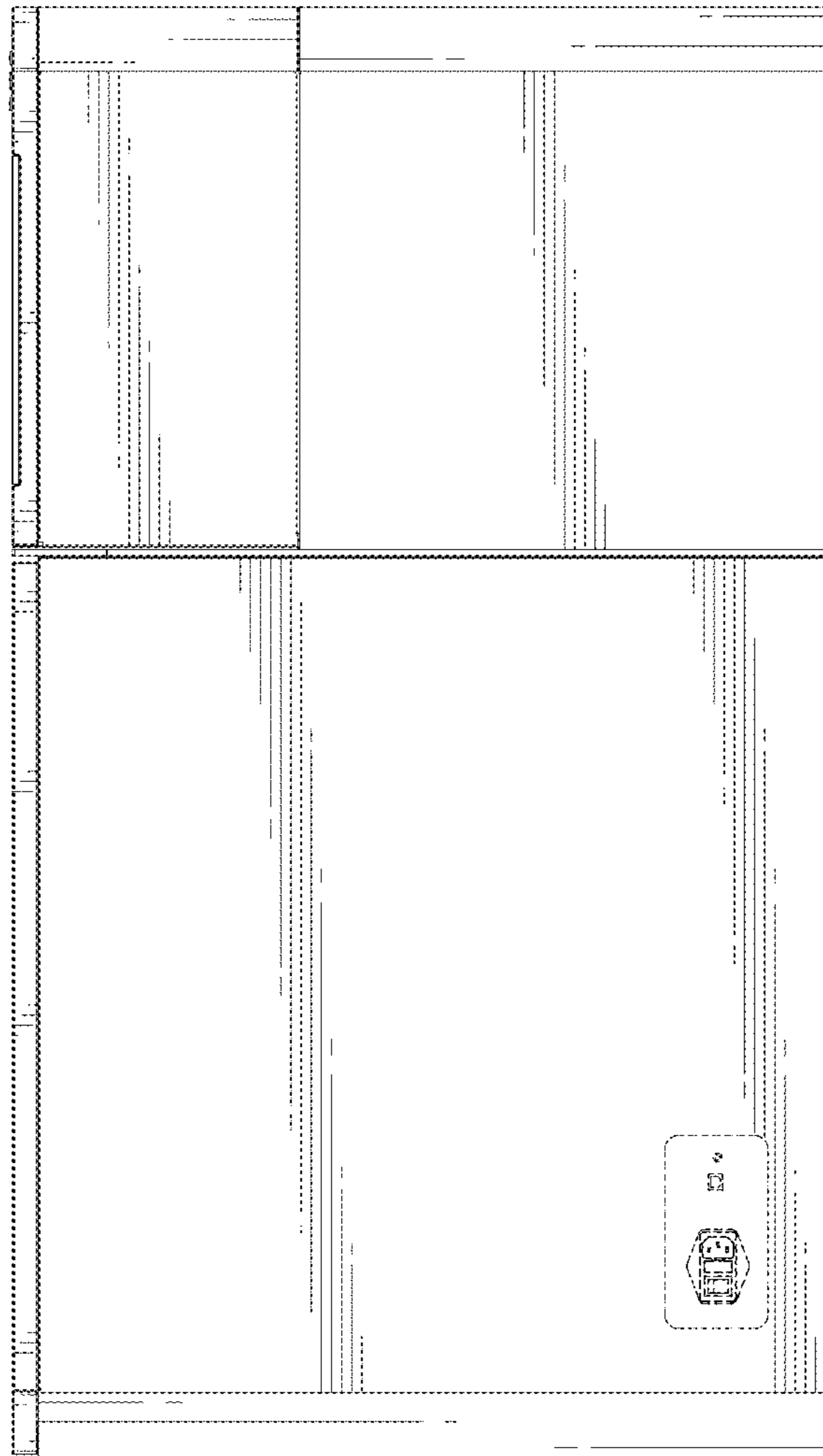


FIG.5

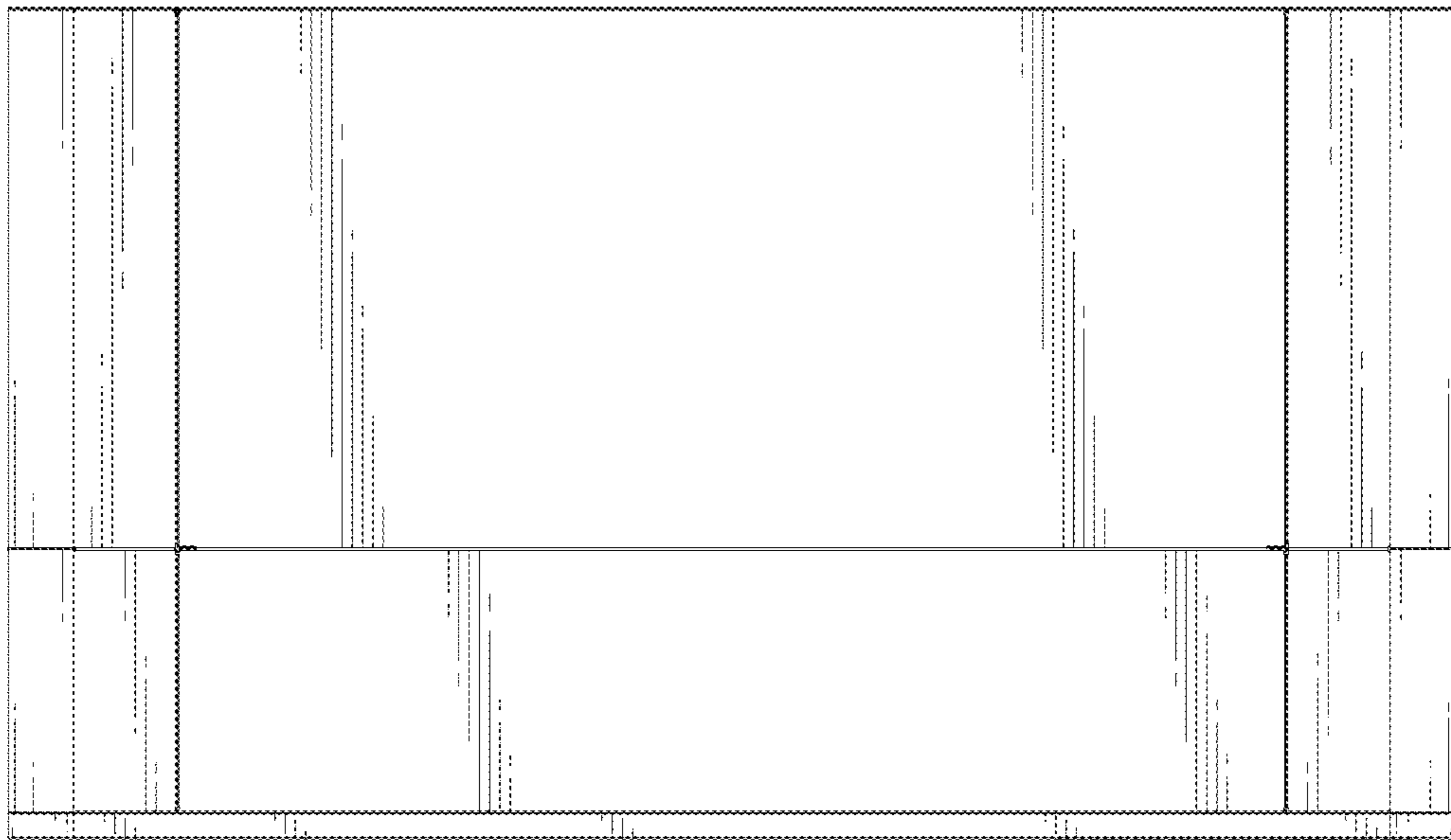


FIG.6



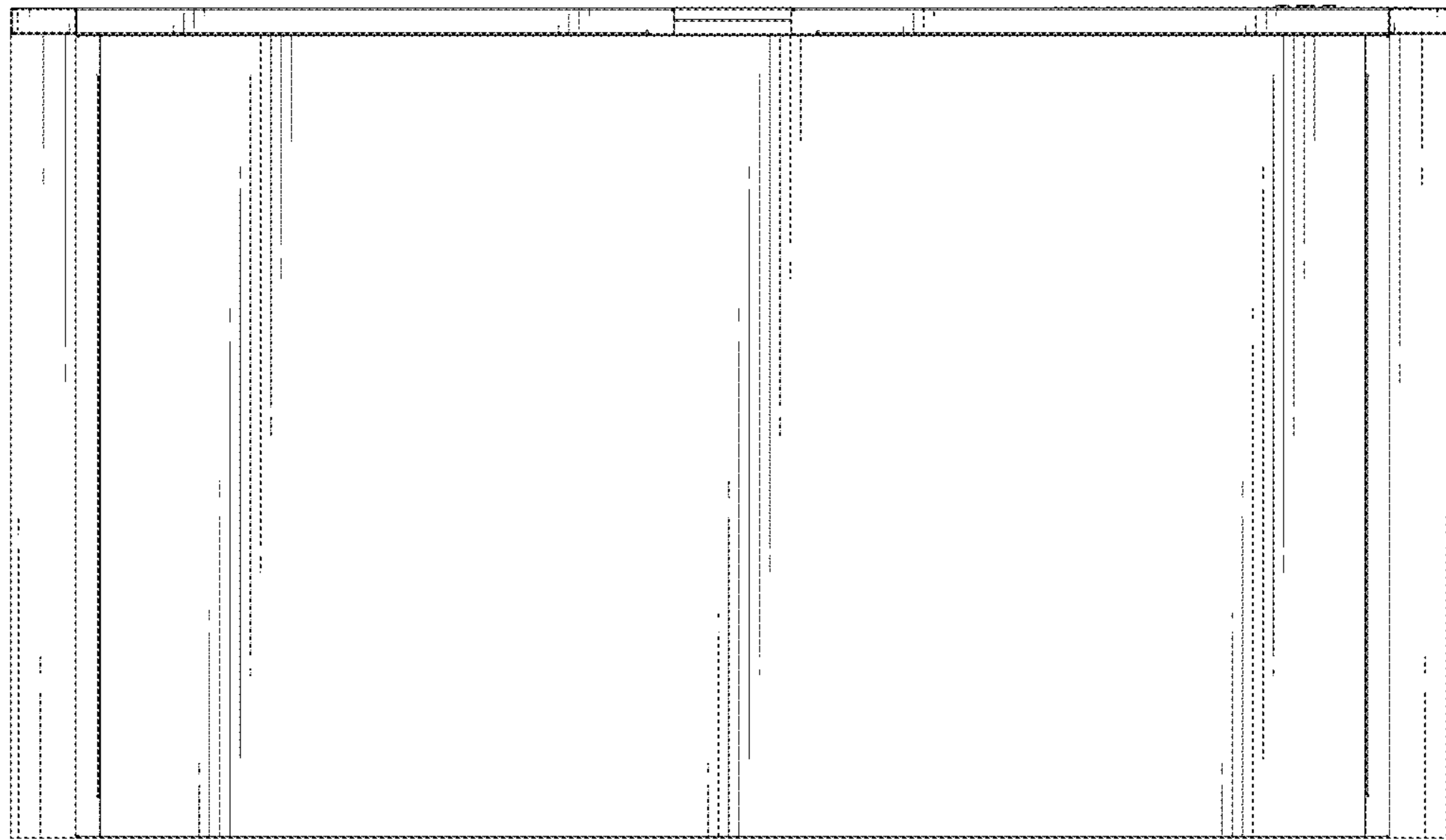


FIG.7

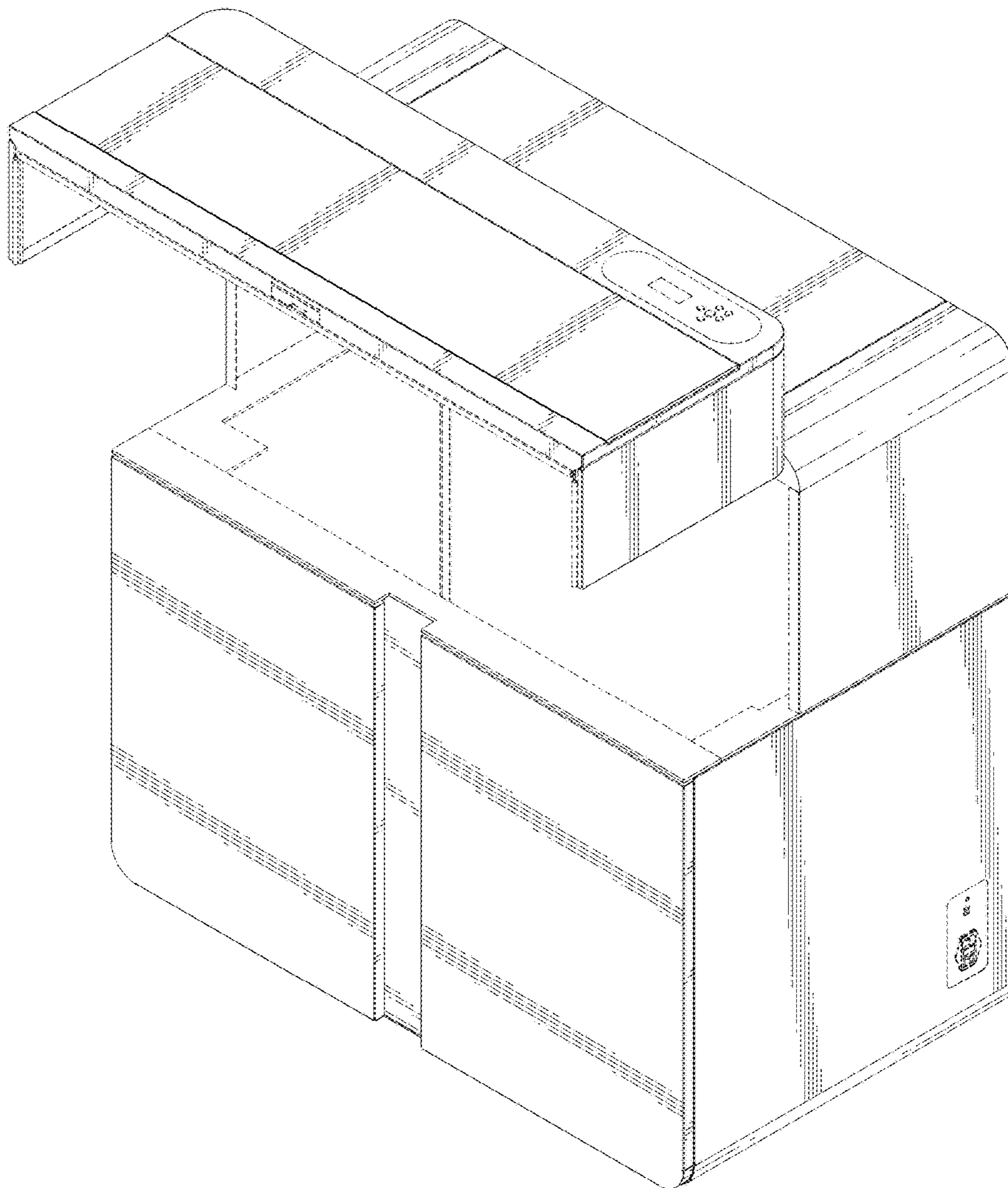


FIG.8

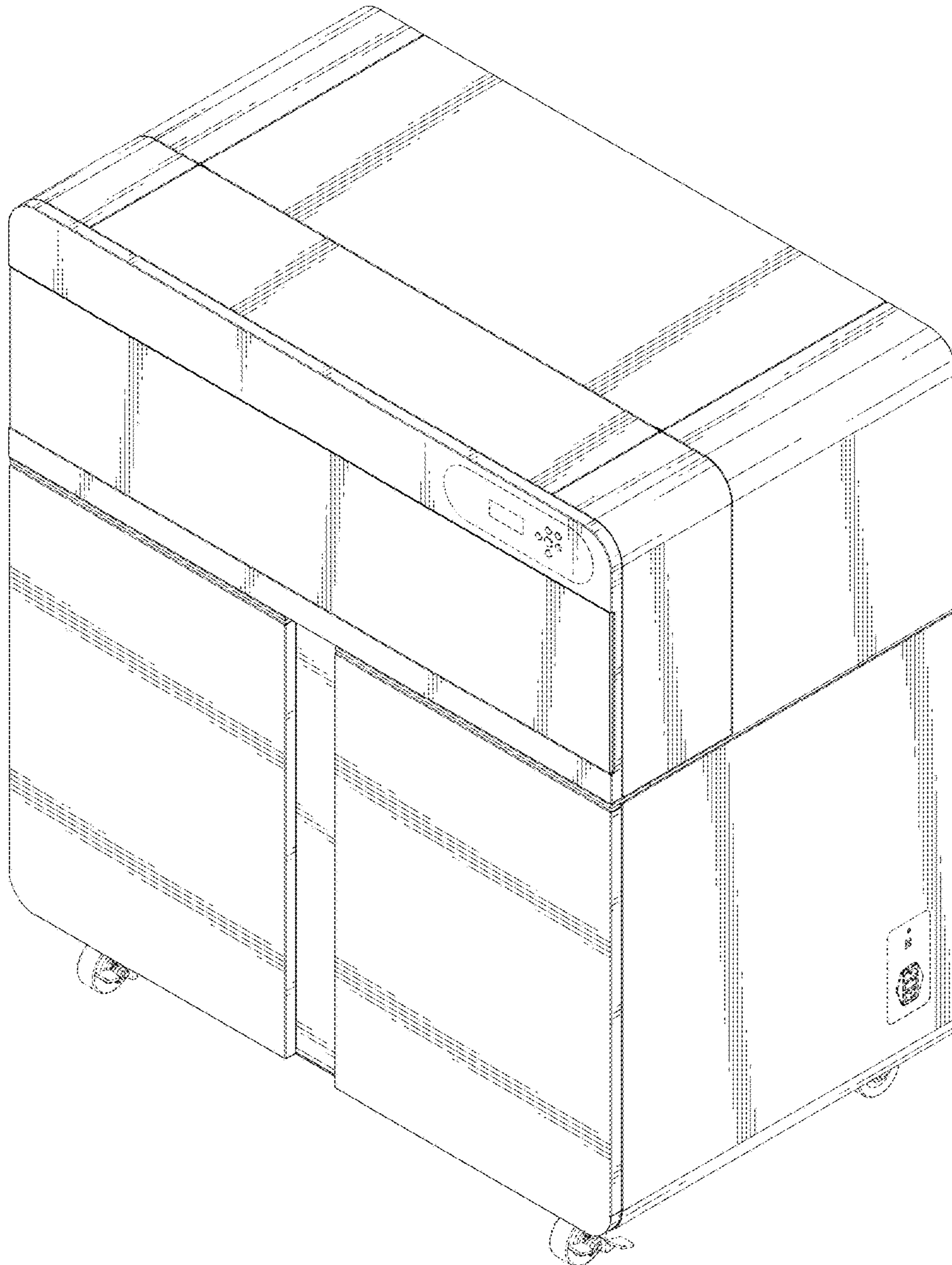


FIG.9