



US00D777227S

(12) **United States Design Patent**  
**Kao et al.**

(10) **Patent No.:** **US D777,227 S**

(45) **Date of Patent:** **\*\* Jan. 24, 2017**

(54) **STEREOLITHOGRAPHY MACHINE**

(71) Applicants: **XYZPRINTING, INC.**, New Taipei (TW); **KINPO ELECTRONICS, INC.**, New Taipei (TW); **CAL-COMP ELECTRONICS & COMMUNICATIONS COMPANY LIMITED**, New Taipei (TW)

(72) Inventors: **Chieh Kao**, New Taipei (TW); **Wen-Chun Chung**, New Taipei (TW); **Chun-An Hsu**, New Taipei (TW)

(73) Assignees: **XYZPRINTING, INC.**, New Taipei (TW); **KINPO ELECTRONICS, INC.**, New Taipei (TW); **CAL-COMP ELECTRONICS & COMMUNICATIONS COMPANY LIMITED**, New Taipei (TW)

(\*\*) Term: **15 Years**

(21) Appl. No.: **29/550,570**

(22) Filed: **Jan. 5, 2016**

(51) **LOC (10) Cl.** ..... **15-09**

(52) **U.S. Cl.**  
USPC ..... **D15/122; D15/135**

(58) **Field of Classification Search**  
USPC ..... D15/122, 135, 138, 145, 146; D18/6-7, D18/14, 19, 50, 54, 54.1, 55, 59  
See application file for complete search history.

(56) **References Cited**

**U.S. PATENT DOCUMENTS**

D319,519 S \* 8/1991 Keir ..... D34/1  
D325,927 S \* 5/1992 Fushiya ..... D18/54  
7,297,304 B2 \* 11/2007 Swanson ..... B29C 41/36  
264/308  
D566,756 S \* 4/2008 Massey ..... D18/50

D694,319 S \* 11/2013 Nakagawa ..... D18/19  
D722,108 S \* 2/2015 Reches ..... D18/50  
8,945,456 B2 \* 2/2015 Zenere ..... B29C 67/0066  
264/401  
D732,586 S \* 6/2015 Chen ..... D15/122  
D732,587 S \* 6/2015 Hsu ..... D15/122  
D734,814 S \* 7/2015 Yeh ..... D18/50  
D736,838 S \* 8/2015 Costabeber ..... D15/122  
D738,410 S \* 9/2015 Liu ..... D15/122  
D739,885 S \* 9/2015 Lee ..... D15/122  
D740,863 S \* 10/2015 Kemperle ..... D15/122  
D742,439 S \* 11/2015 Kraibuhler ..... D15/122  
D749,153 S \* 2/2016 Anantha ..... D15/122  
D749,154 S \* 2/2016 Kemperle ..... D15/122  
D752,661 S \* 3/2016 Anantha ..... D15/122  
D754,763 S \* 4/2016 Kraibuhler ..... D15/122  
D755,860 S \* 5/2016 Busato ..... D15/122  
D757,132 S \* 5/2016 Liu ..... D15/122

(Continued)

*Primary Examiner* — Patricia Palasik

(74) *Attorney, Agent, or Firm* — Chun-Ming Shih; HDLS IPR Services

(57) **CLAIM**

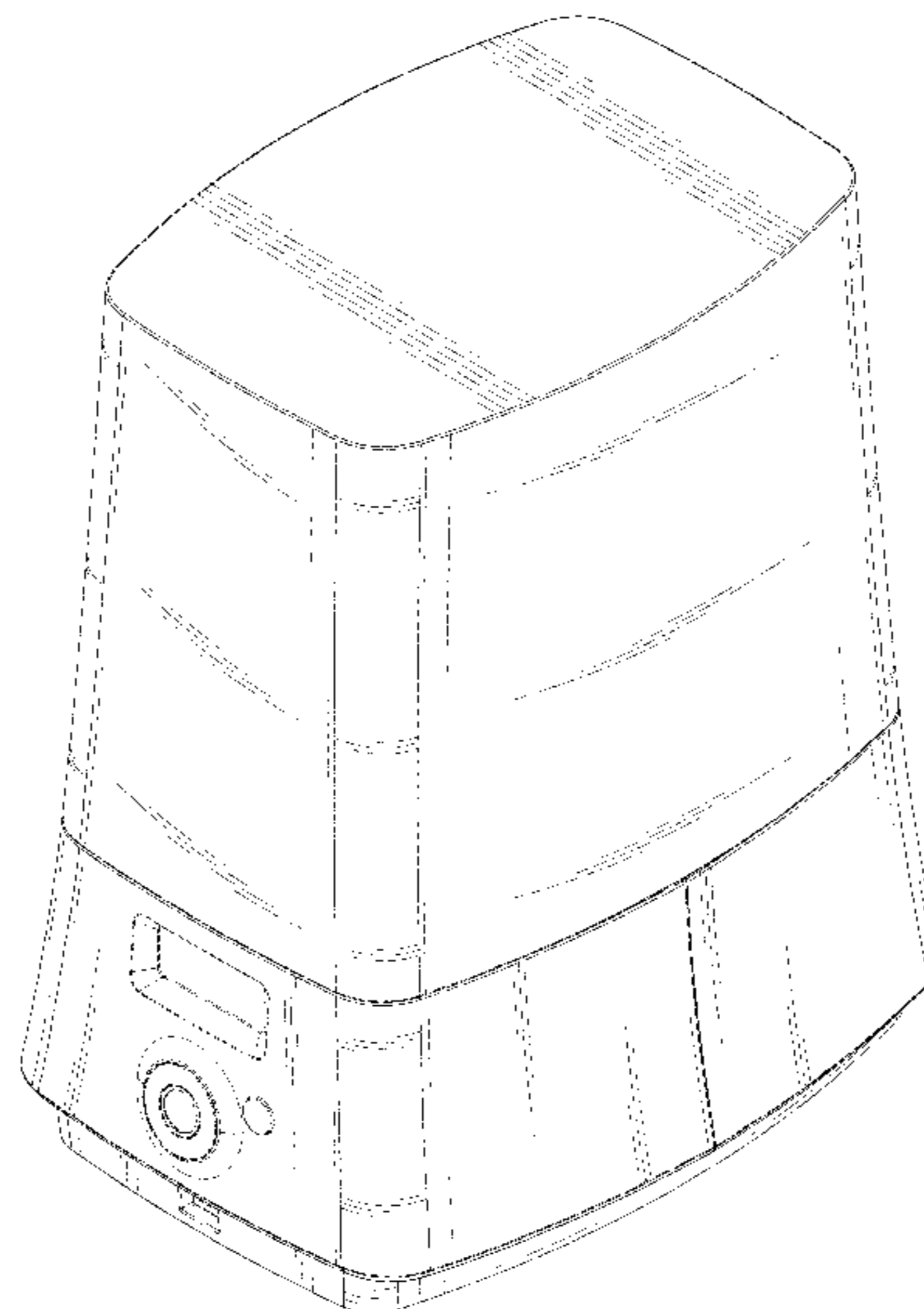
The ornamental design for a stereolithography machine, as shown and described.

**DESCRIPTION**

FIG. 1 is a perspective view of a stereolithography machine showing our new design;  
FIG. 2 is a front view thereof;  
FIG. 3 is a rear view thereof;  
FIG. 4 is a left side view thereof;  
FIG. 5 is a right side view thereof;  
FIG. 6 is a top view thereof; and,  
FIG. 7 is a bottom view thereof.

The broken lines shown represent unclaimed environmental subject matter.

**1 Claim, 7 Drawing Sheets**



(56)

**References Cited**

U.S. PATENT DOCUMENTS

D760,316 S \* 6/2016 Kim ..... D18/50  
D763,330 S \* 8/2016 Olive ..... D15/122  
D765,154 S \* 8/2016 Kotlar ..... D15/122  
D765,745 S \* 9/2016 Cheung ..... D15/122  
D766,359 S \* 9/2016 Takahashi ..... D18/50  
D766,998 S \* 9/2016 Kao ..... D15/122  
D768,768 S \* 10/2016 Takahashi ..... D18/50  
D770,545 S \* 11/2016 Olive ..... D15/122  
D771,164 S \* 11/2016 Noorazar ..... D15/122  
2014/0043630 A1 \* 2/2014 Buser ..... H04N 13/02  
358/1.13  
2015/0064298 A1 \* 3/2015 Syao ..... B29C 67/0062  
425/169  
2015/0352788 A1 \* 12/2015 Livingston ..... B65D 11/20  
264/401

\* cited by examiner

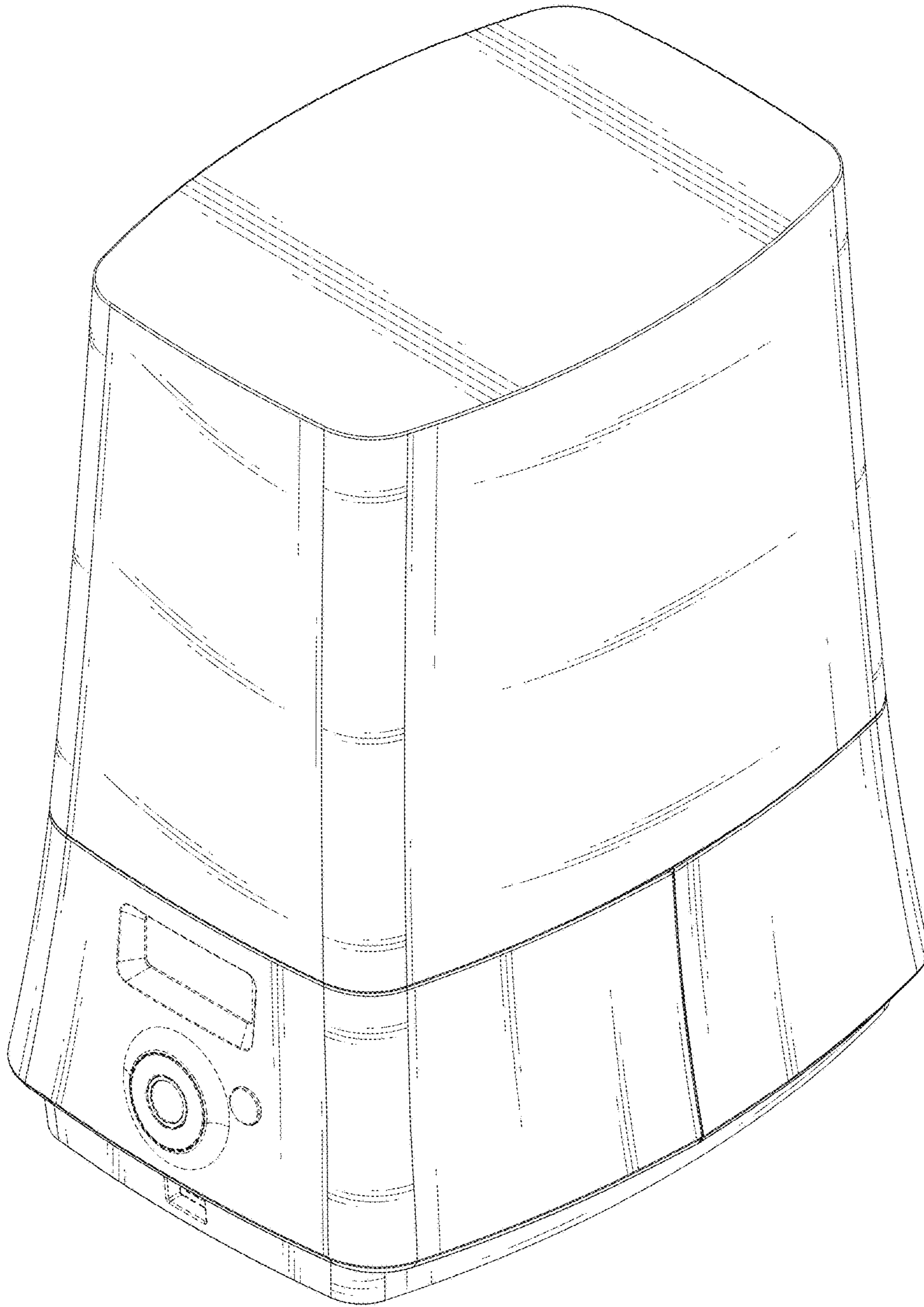


FIG. 1

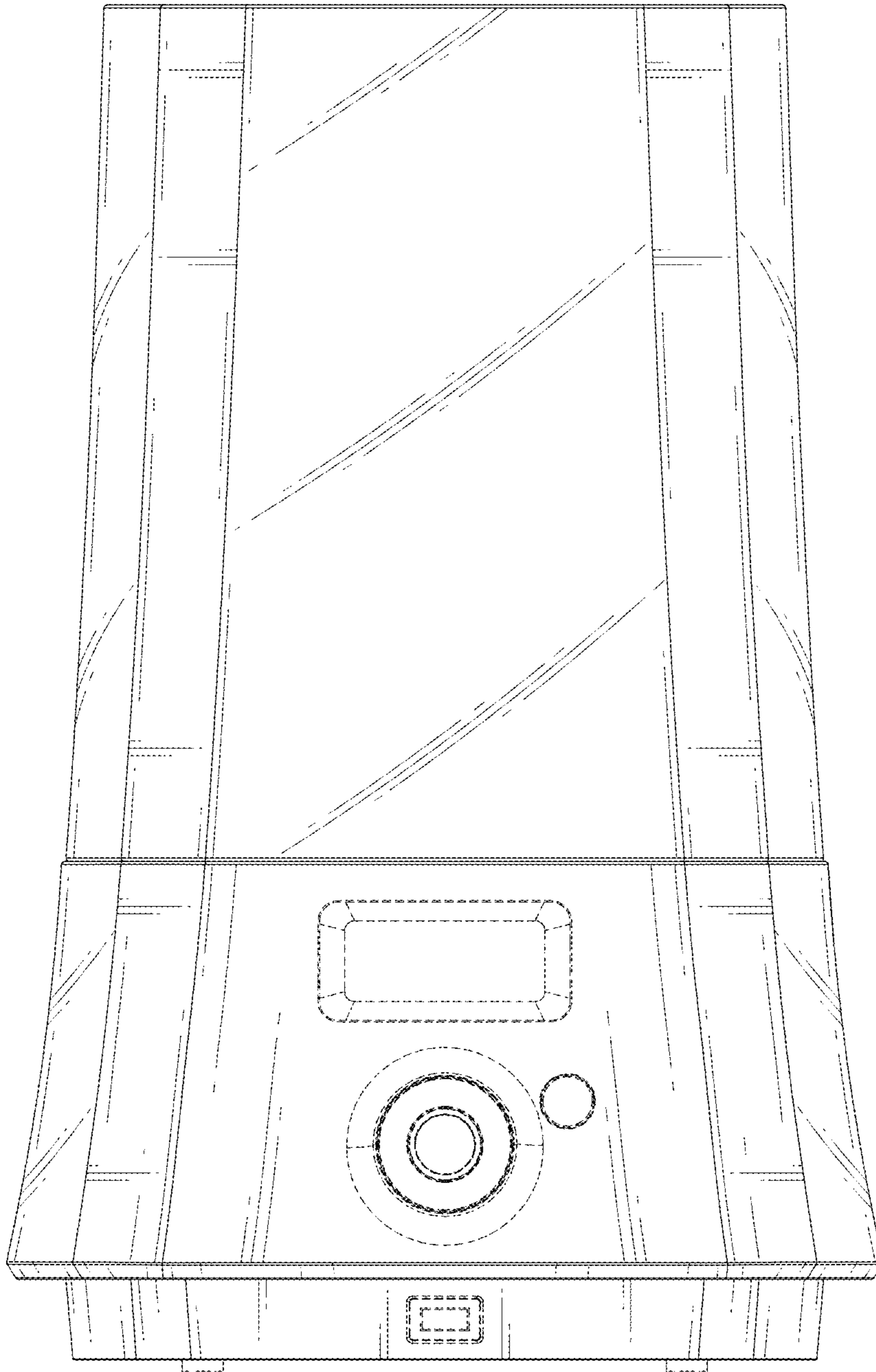


FIG.2

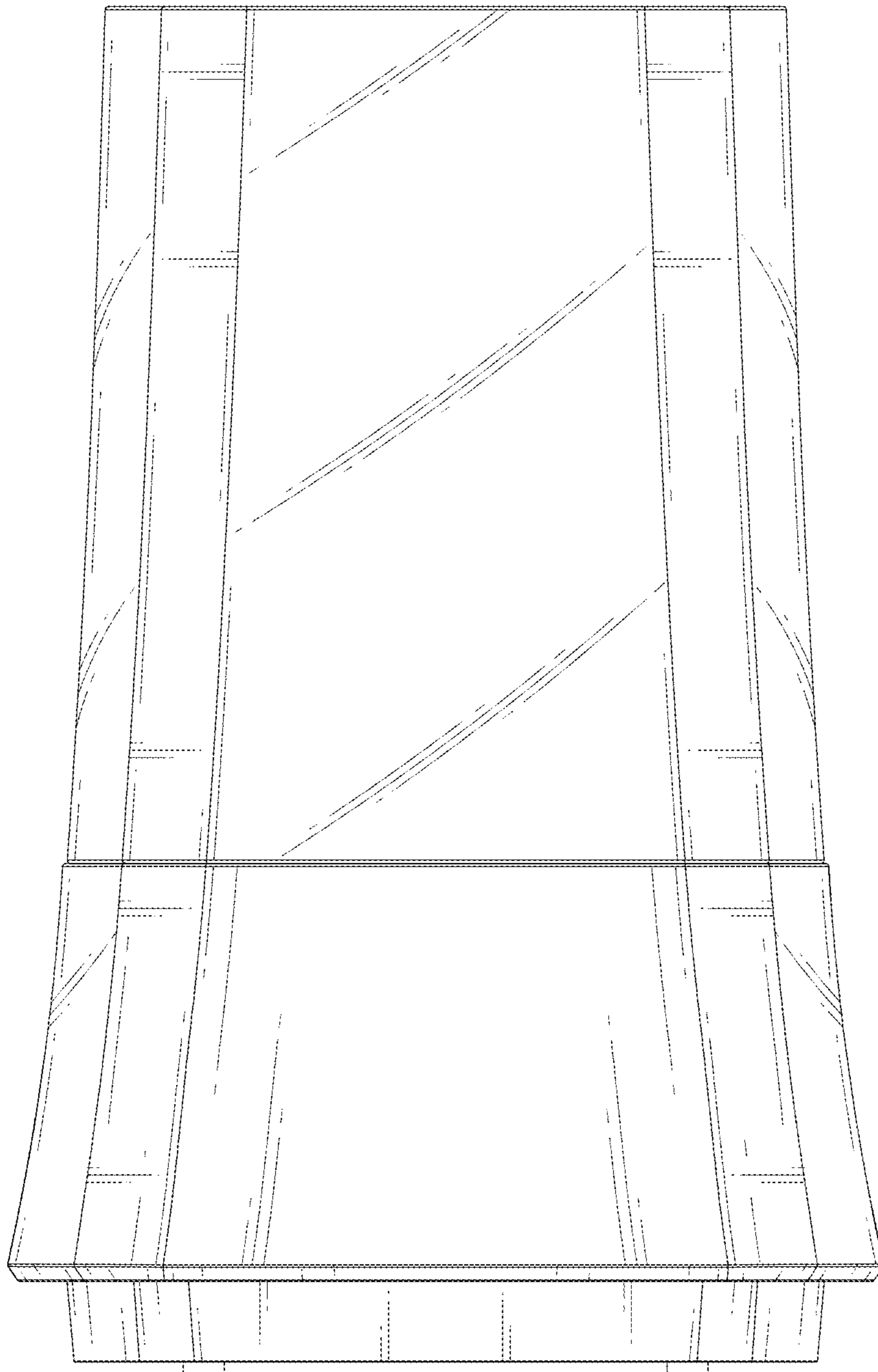


FIG.3

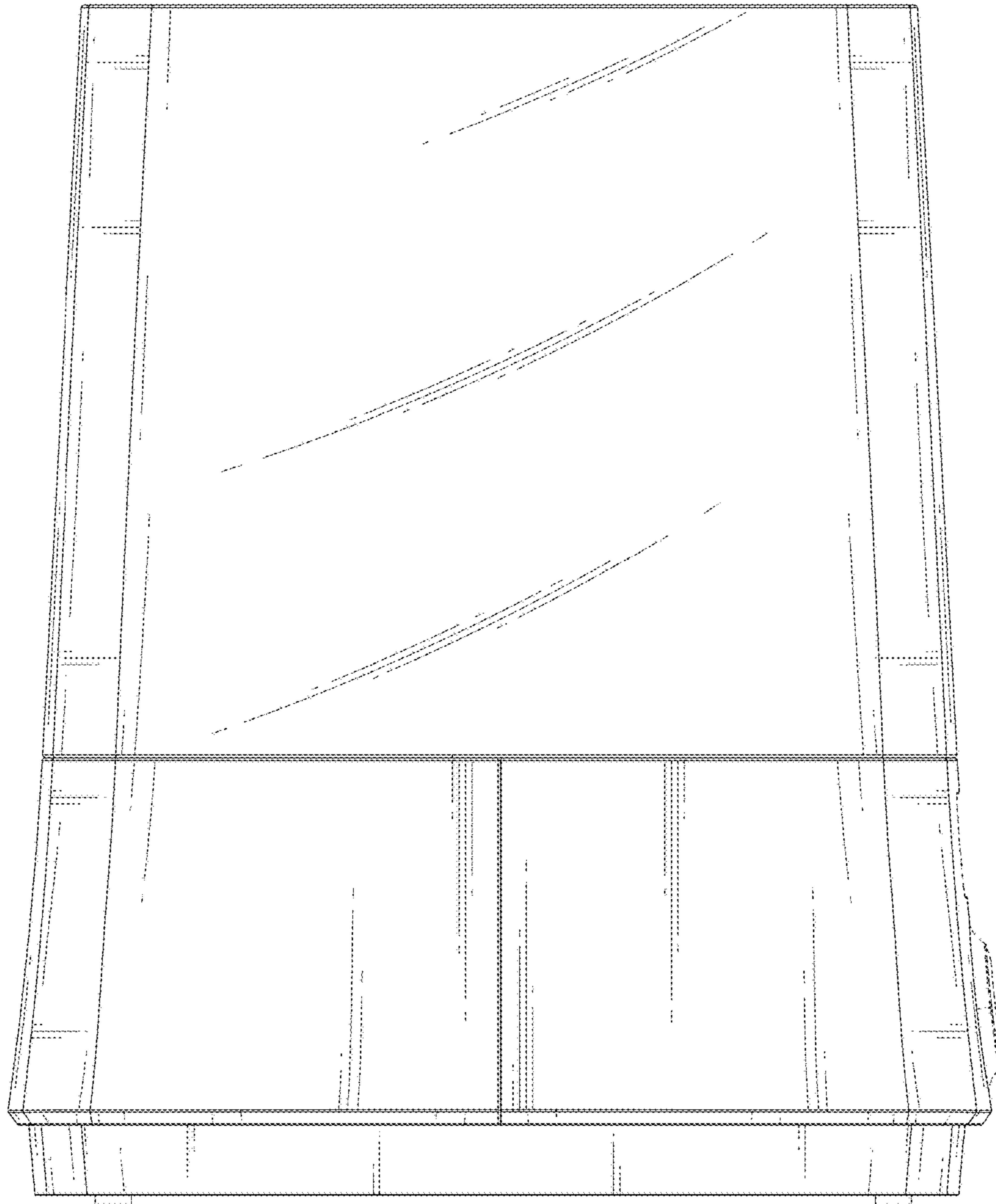


FIG.4

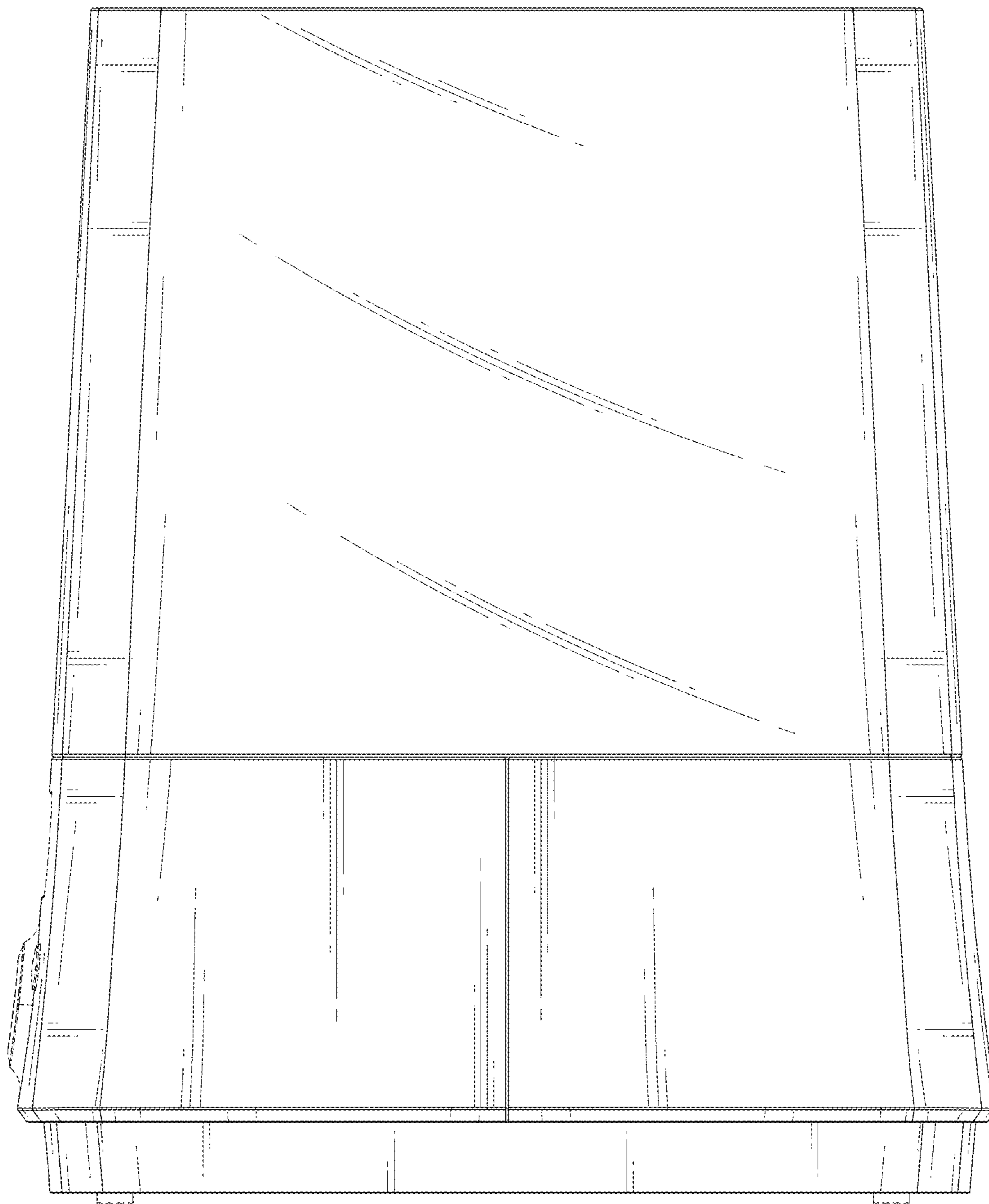


FIG.5

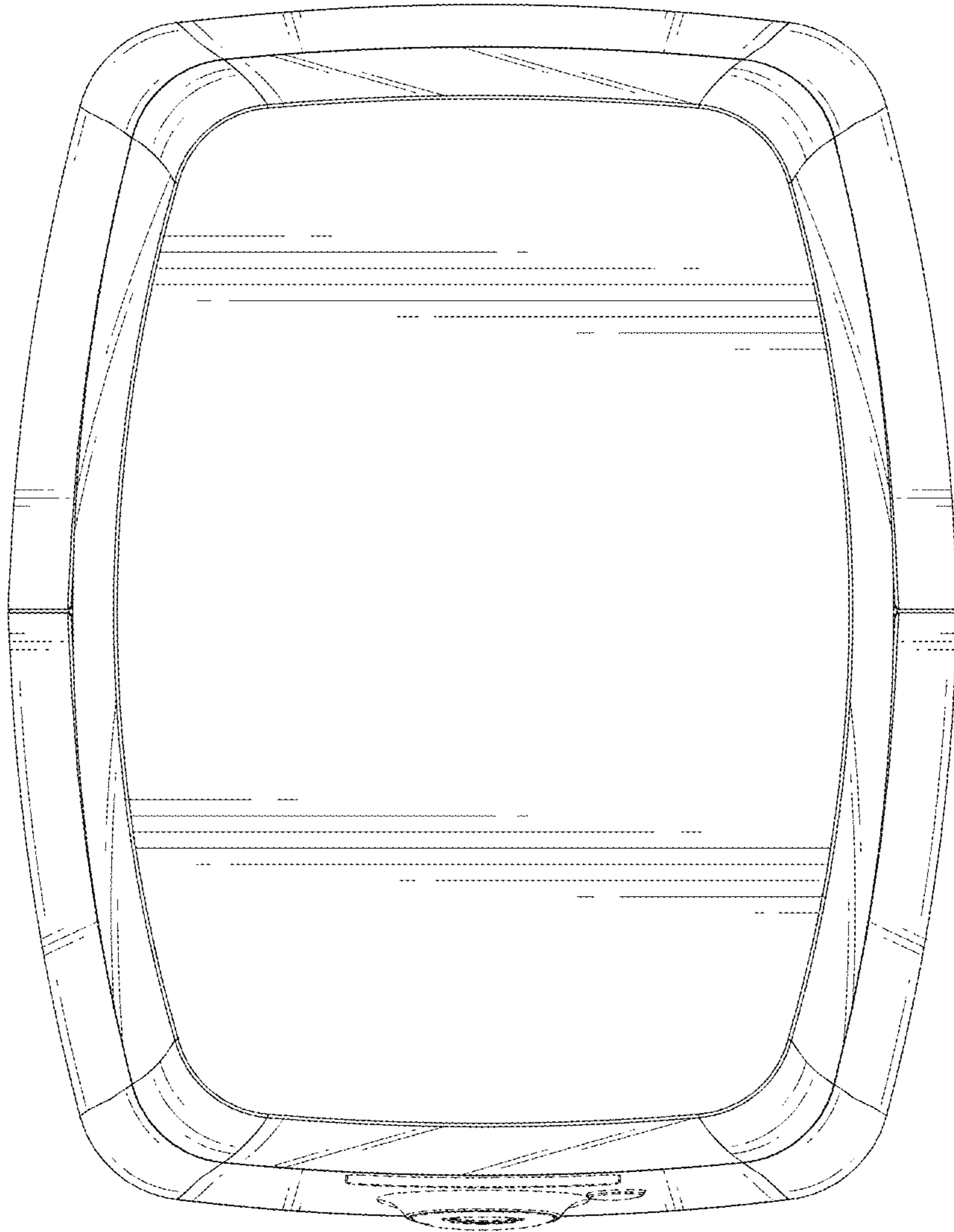


FIG.6



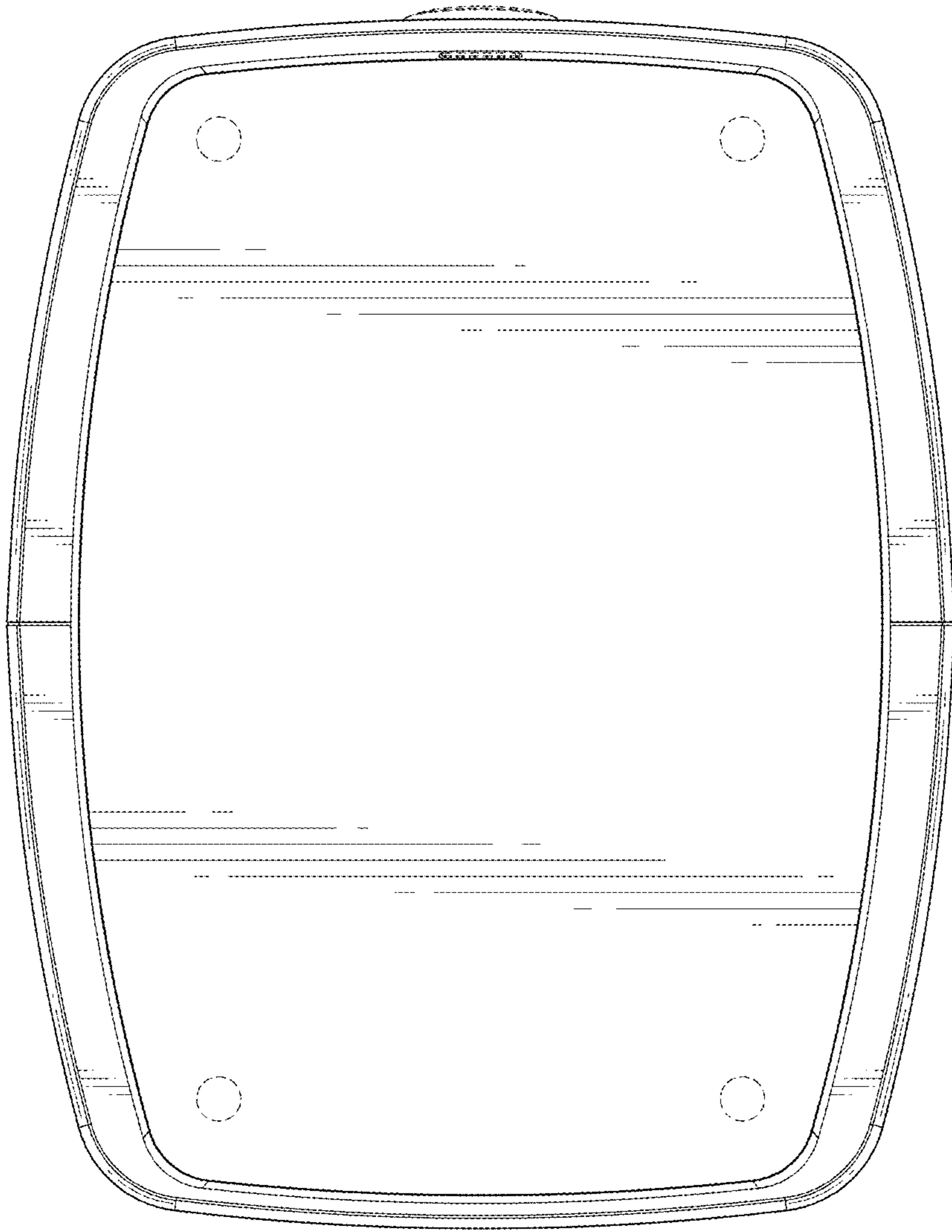


FIG.7