



US00D777226S

(12) **United States Design Patent**
McConnell et al.

(10) **Patent No.:** **US D777,226 S**
(45) **Date of Patent:** **** Jan. 24, 2017**

(54) **DOOR BIN**

- (71) Applicant: **WHIRLPOOL CORPORATION**,
Benton Harbor, MI (US)
- (72) Inventors: **Jessica R. McConnell**, St. Joseph, MI
(US); **Daniel H. Quinlan**, Stevensville,
MI (US); **Kelly E. Roche**, St. Joseph,
MI (US); **Michael S. Seeley**, South
Haven, MI (US)
- (73) Assignee: **Whirlpool Corporation**, Benton
Harbor, MI (US)
- (**) Term: **15 Years**
- (21) Appl. No.: **29/545,860**
- (22) Filed: **Nov. 17, 2015**

Related U.S. Application Data

- (62) Division of application No. 29/485,377, filed on Mar.
18, 2014, now Pat. No. Des. 747,369.
- (51) **LOC (10) Cl.** **15-07**
- (52) **U.S. Cl.**
USPC **D15/89**
- (58) **Field of Classification Search**
USPC D15/79-91
CPC F25D 23/028; F25D 23/02; F25D 25/025;
F25D 23/00; F25D 2323/021; F25D
11/00; F25D 2323/024; F25D
23/04; F25D 29/00; F25D 25/02; F25D
25/024; F25D 27/005; F25D 23/12; F25D
29/005; F25D 17/042; F25D 2325/021
See application file for complete search history.

(56) **References Cited**

U.S. PATENT DOCUMENTS

D669,506 S	*	10/2012	Czach	D15/89
D694,288 S	*	11/2013	Hottmann	D15/89
D709,928 S	*	7/2014	Park	D15/89
D710,406 S	*	8/2014	Seo	D15/89
D747,369 S	*	1/2016	McConnell	D15/89

* cited by examiner

Primary Examiner — Daniel Bui
Assistant Examiner — Khawaja Anwar

(57) **CLAIM**

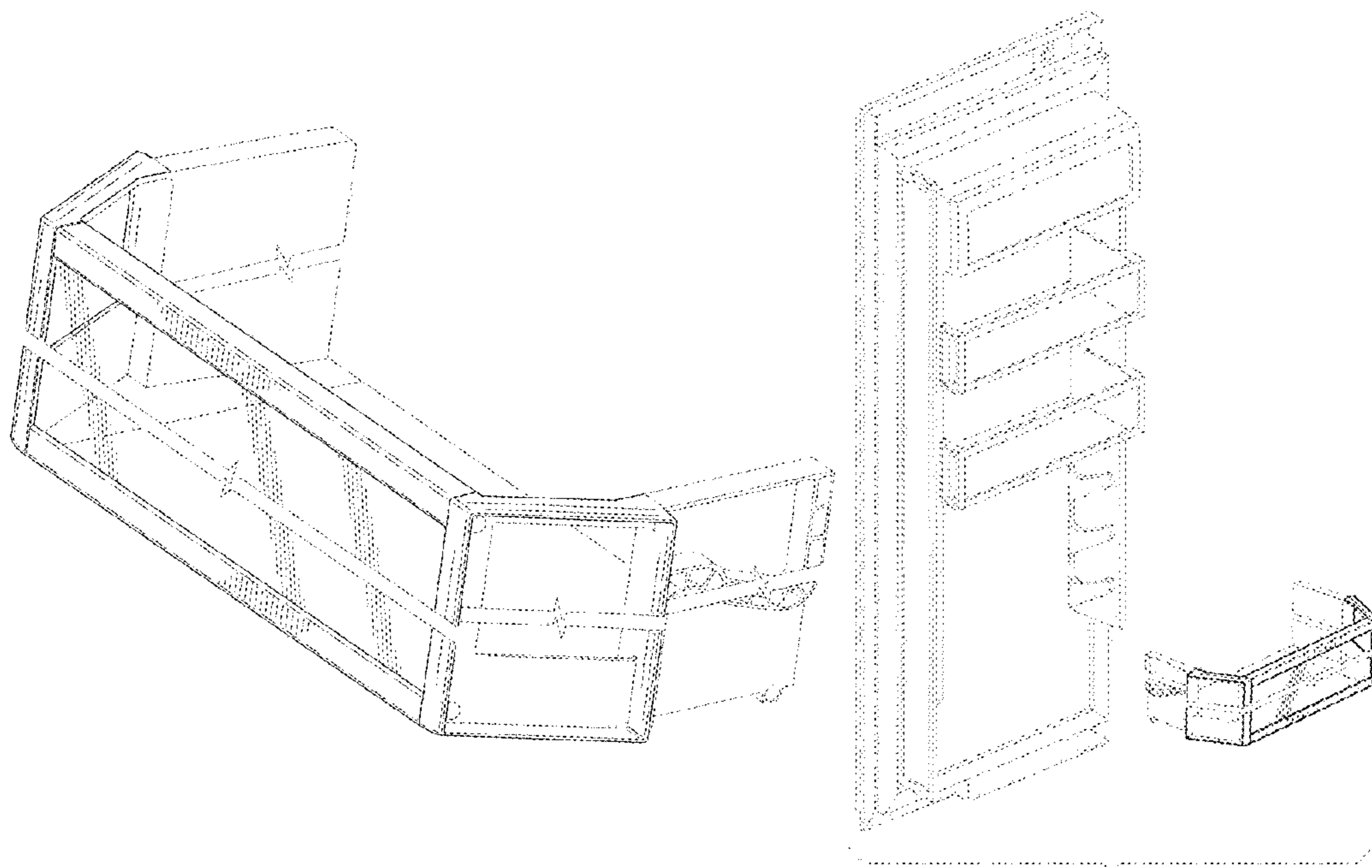
The ornamental design for a door bin, as shown and described.

DESCRIPTION

FIG. 1 is a perspective view of a door bin according to a first embodiment of our new design; FIG. 2 is a front elevation view thereof; FIG. 3 is a rear elevation view thereof; FIG. 4 is a top plan view thereof; FIG. 5 is a bottom plan view thereof; FIG. 6 is a left side elevation view thereof; FIG. 7 is a right side elevation view thereof; and, FIG. 8 is another perspective view thereof, shown in use condition.

The broken line in the figure drawings represents unclaimed environment only and forms no part of the claimed design; the dot-dash broken line in the figure drawings represents an unclaimed boundary of the claimed design; the break lines that separate the parts of the Product Merchandiser and the portion within the break lines represent indeterminate length and form no part of the claimed design.

1 Claim, 7 Drawing Sheets



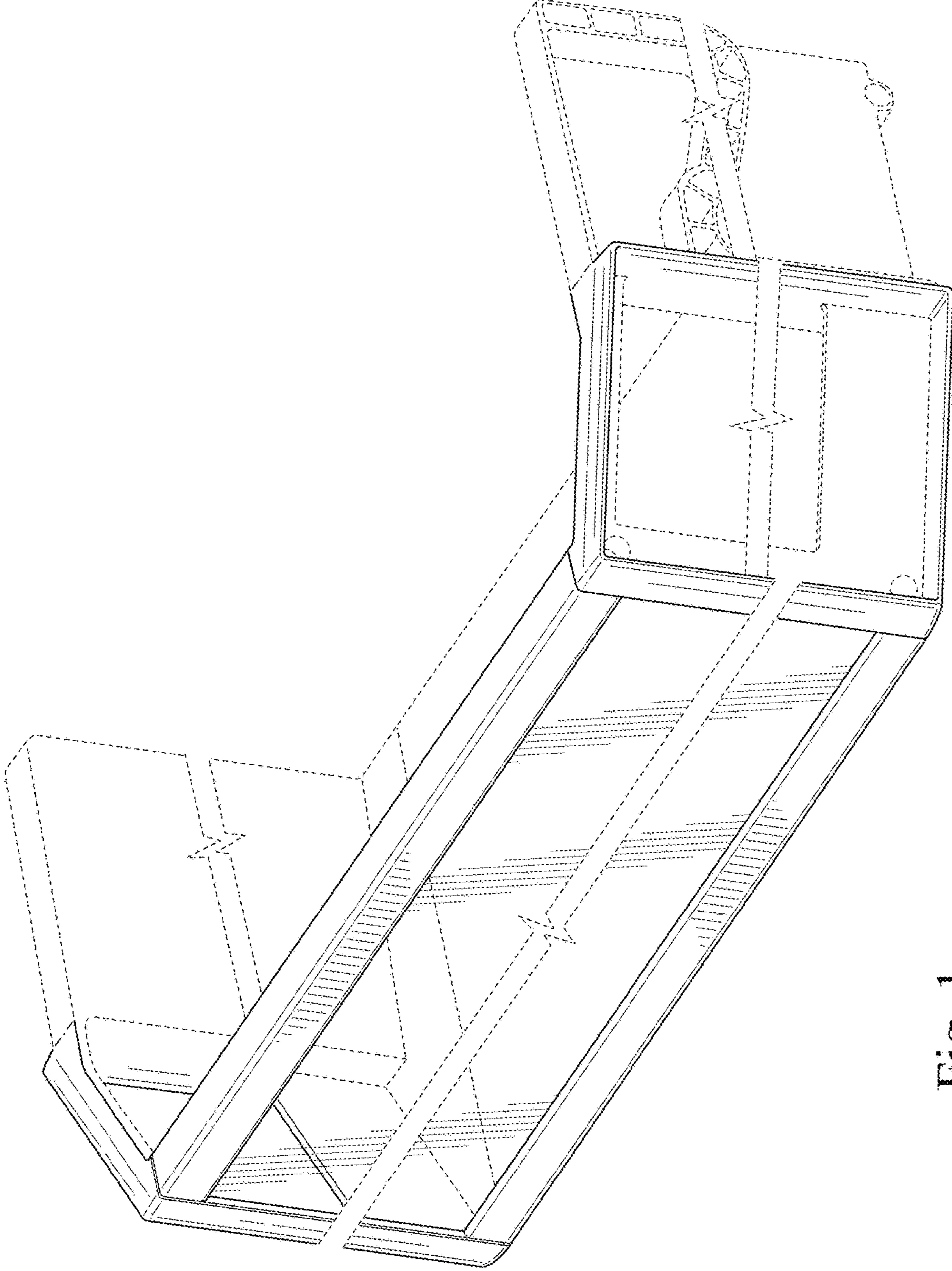


Fig. 1

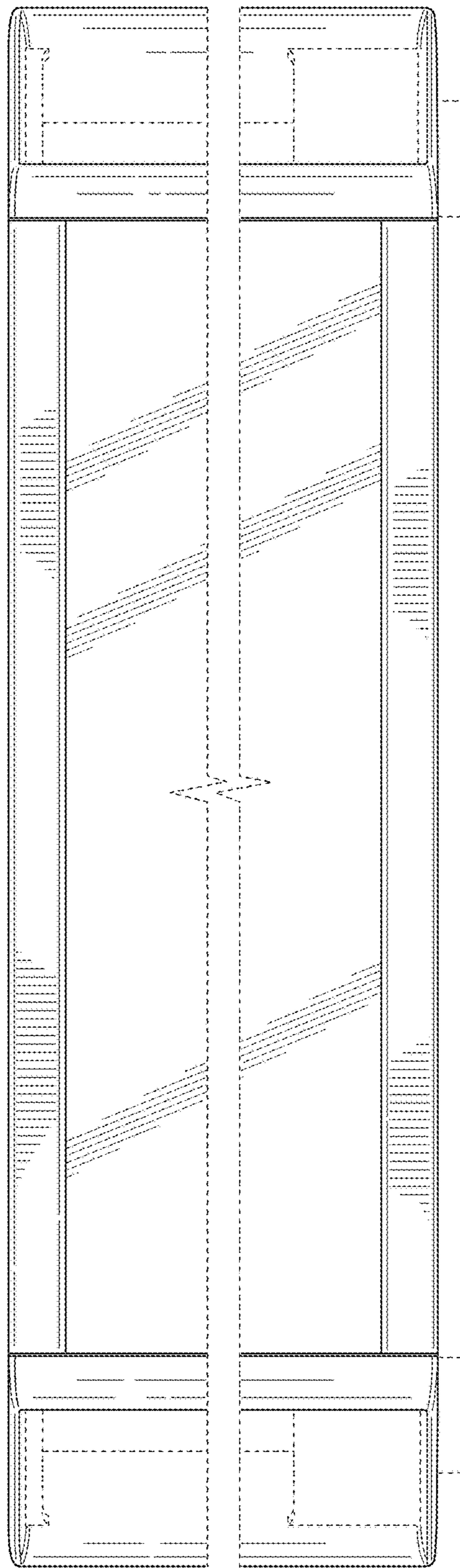


Fig. 2

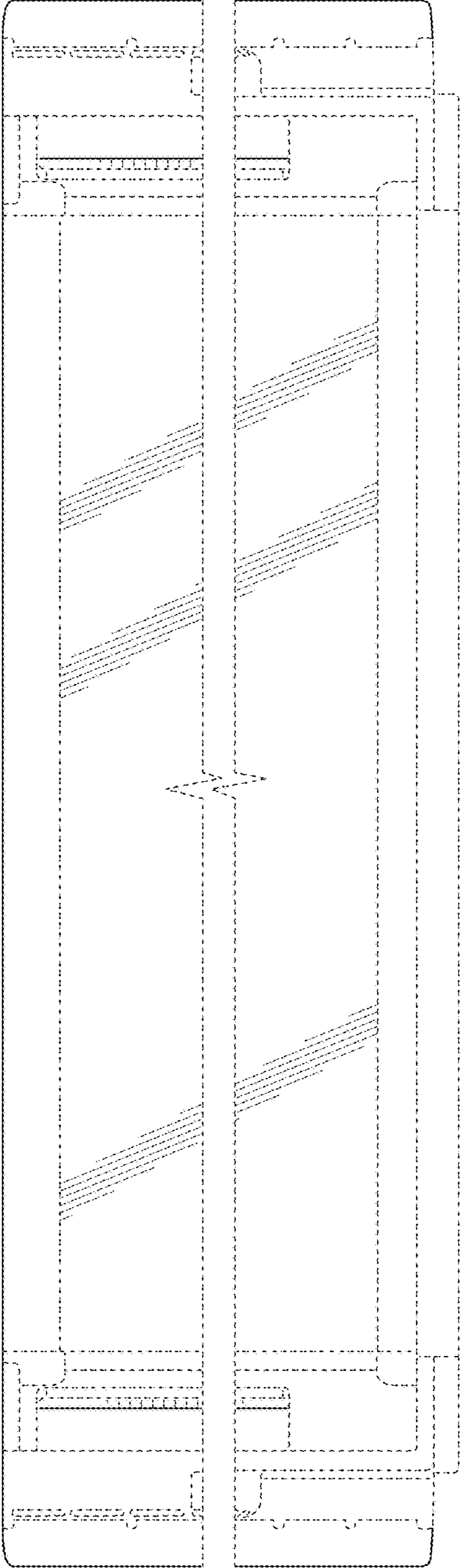


Fig. 3

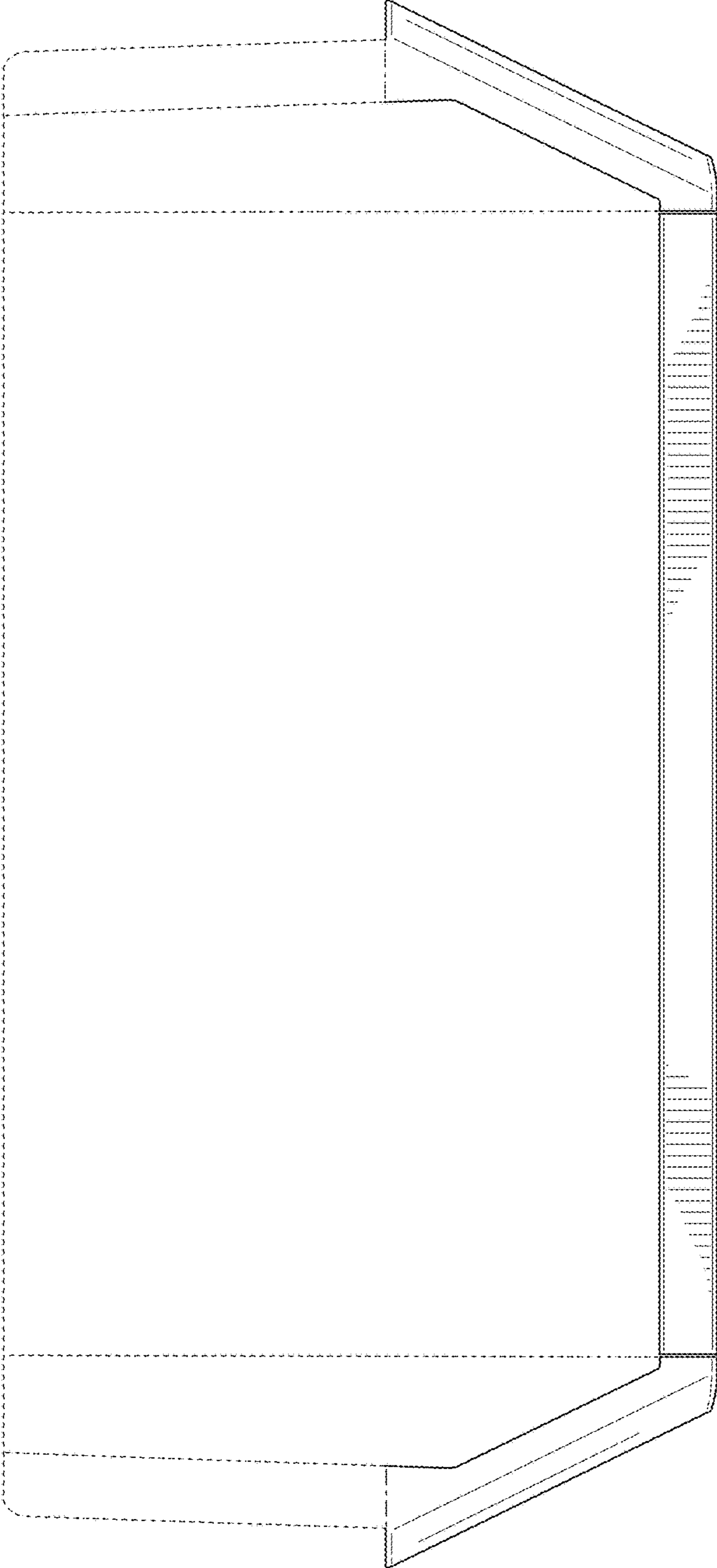


Fig. 4

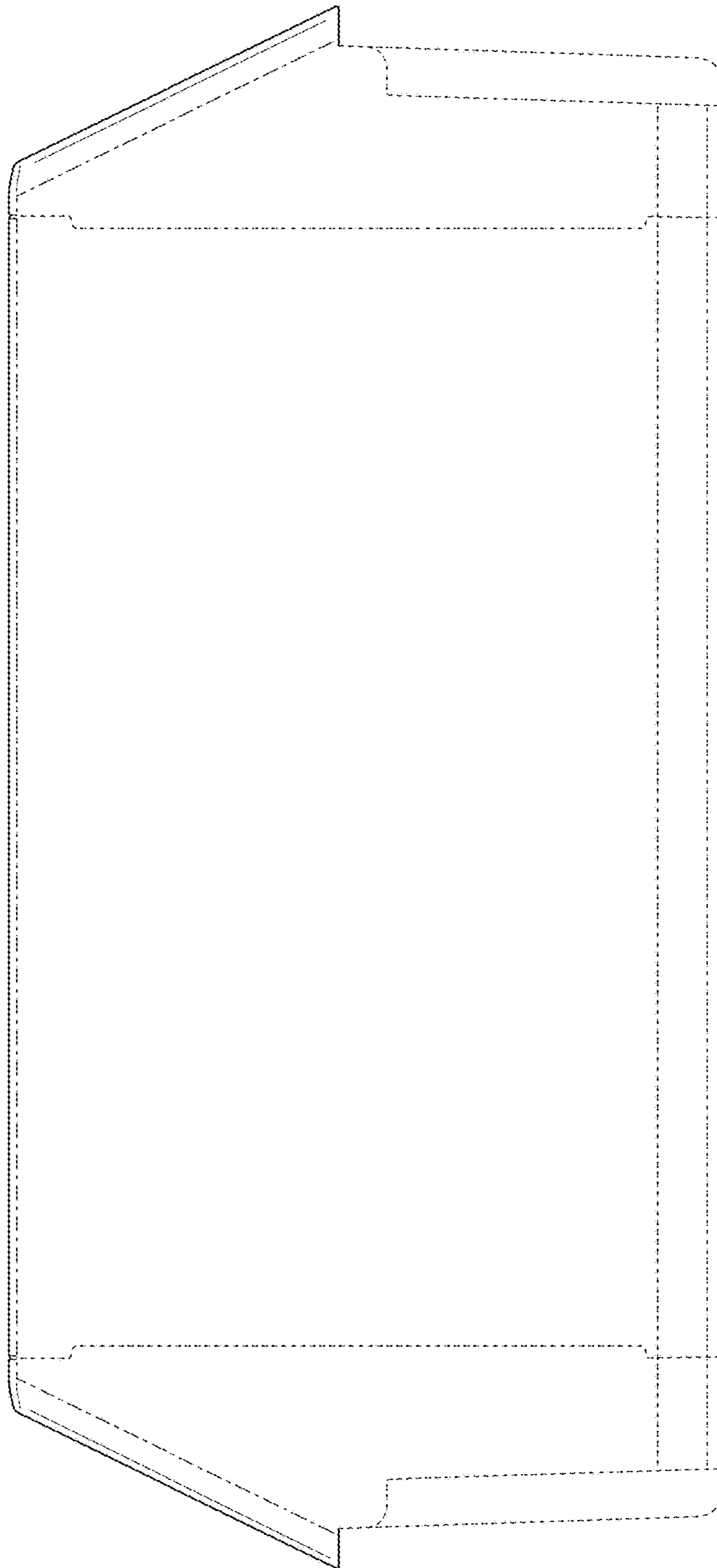


Fig. 5

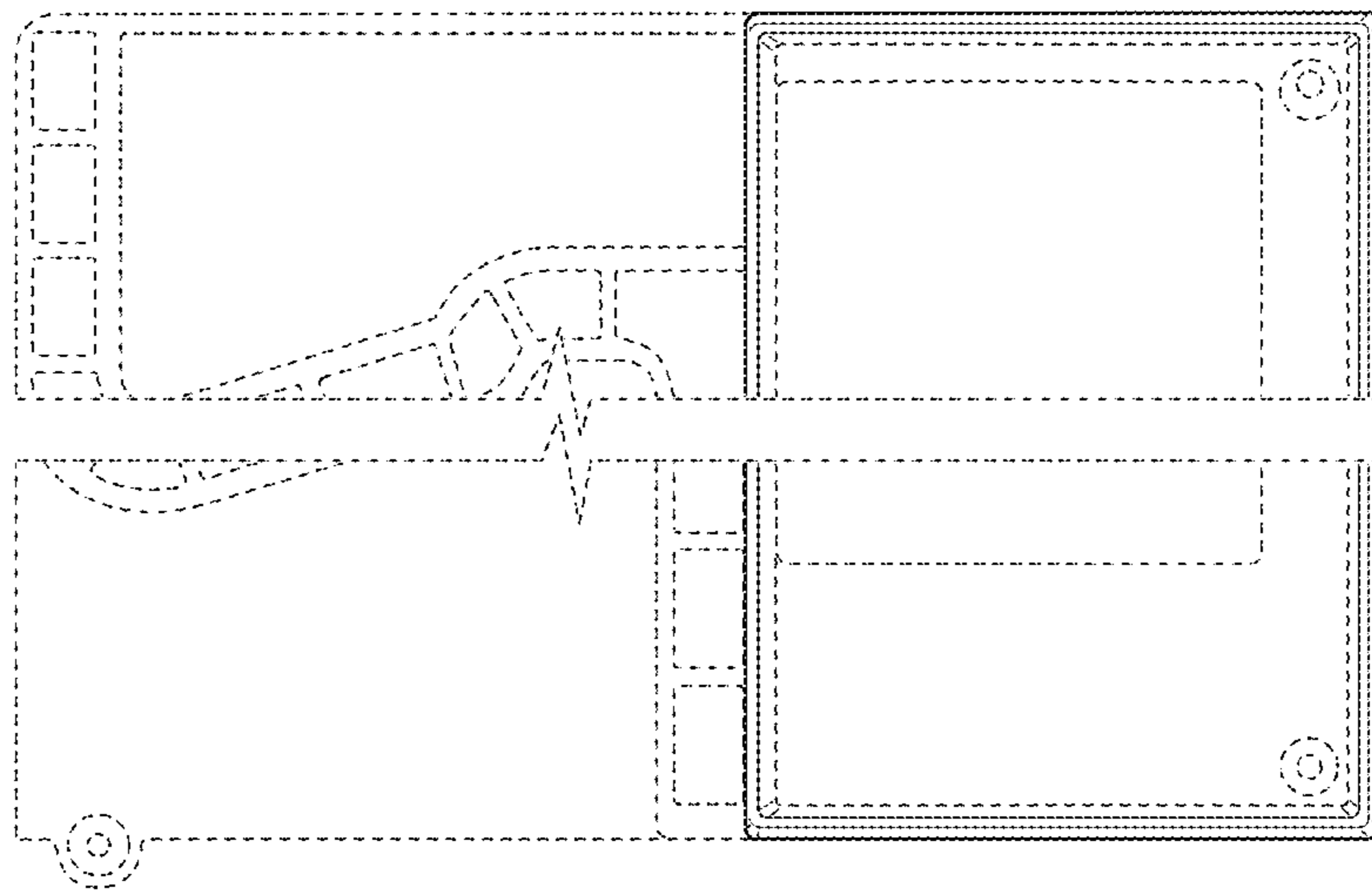


Fig. 6

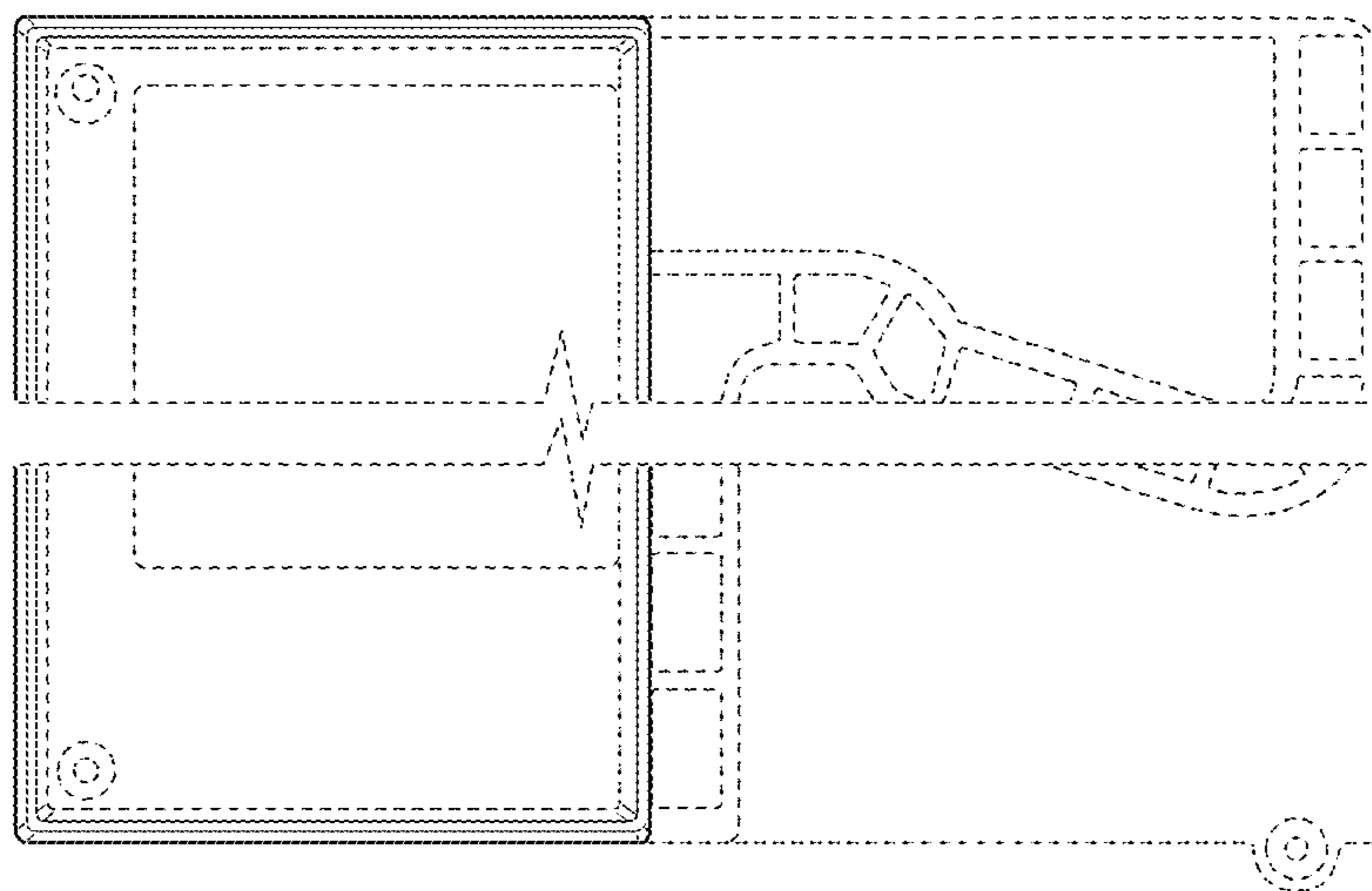


Fig. 7

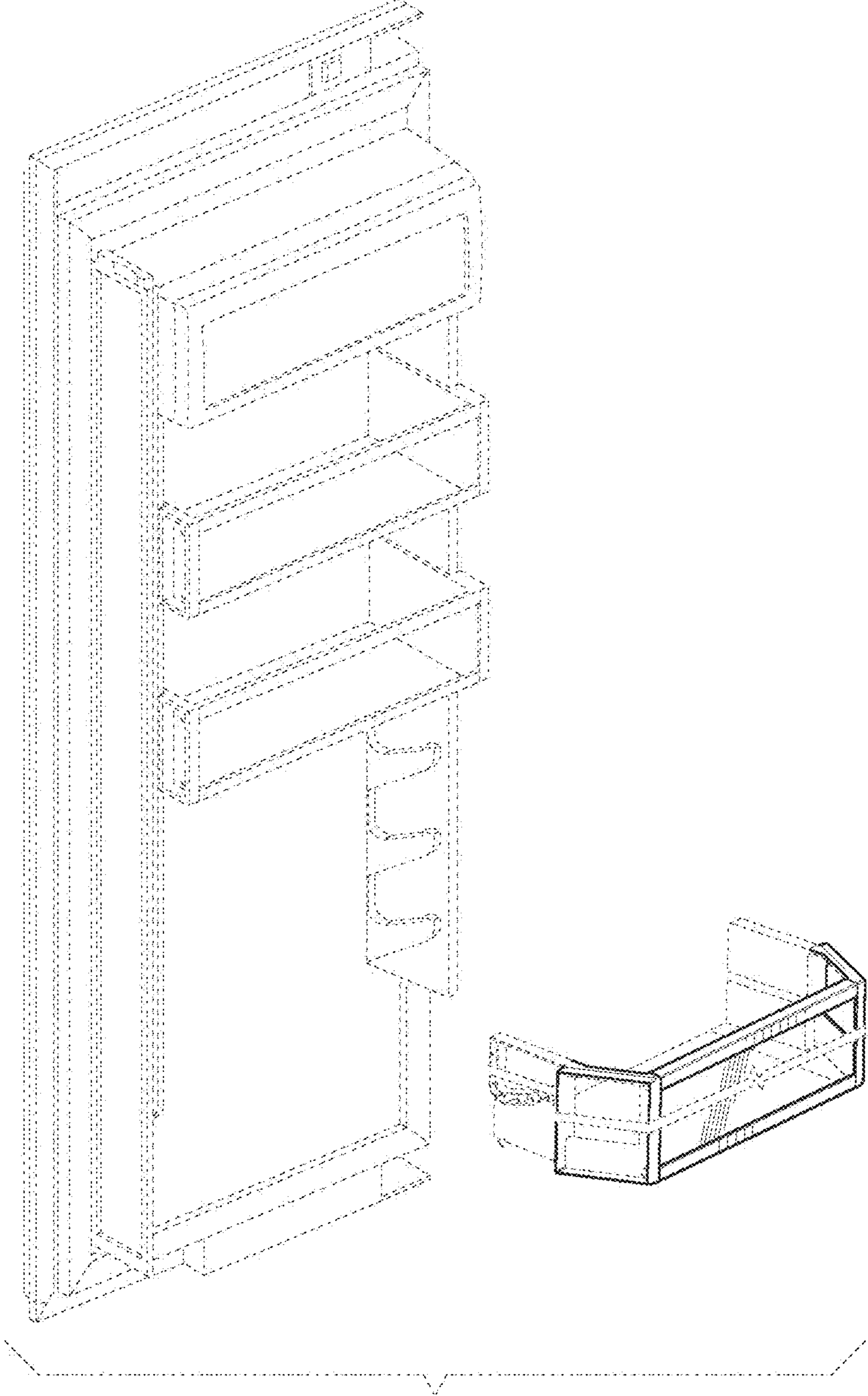


Fig. 8