



US00D777225S

(12) **United States Design Patent**
McAndrew

(10) **Patent No.:** **US D777,225 S**

(45) **Date of Patent:** **** Jan. 24, 2017**

(54) **AIR CURTAIN GUIDE FOR A REFRIGERATOR**

(71) Applicant: **FRIDGELAND UK LIMITED**,
Cheshire (GB)

(72) Inventor: **Paul McAndrew**, Cheshire (GB)

(73) Assignee: **Fridgeland UK Limited**, Cheshire
(GB)

(**) Term: **14 Years**

(21) Appl. No.: **29/509,239**

(22) Filed: **Nov. 14, 2014**

(51) **LOC (10) Cl.** **15-07**

(52) **U.S. Cl.**
USPC **D15/89**

(58) **Field of Classification Search**
USPC D15/79-91
CPC F25D 23/028; F25D 23/02; F25D 25/025;
F25D 23/00; F25D 2323/021; F25D
11/00; F25D 2323/024; F25D
23/04; F25D 29/00; F25D 25/02; F25D
25/024; F25D 27/005; F25D 23/12; F25D
29/005; F25D 17/042; F25D 2325/021
See application file for complete search history.

(56) **References Cited**

U.S. PATENT DOCUMENTS

D737,344 S * 8/2015 Lee D15/89
D748,167 S * 1/2016 Lee D15/89

D749,654 S * 2/2016 Lee D15/89
D751,126 S * 3/2016 Pfaff D15/89
2014/0263134 A1* 9/2014 Walker A47F 5/005
211/184

* cited by examiner

Primary Examiner — Daniel Bui

Assistant Examiner — Khawaja Anwar

(57) **CLAIM**

The ornamental design for an air curtain guide for a refrigerator, as shown and described.

DESCRIPTION

FIG. 1 is a front view of an air curtain guide for a refrigerator showing my new design;
FIG. 2 is a left side view thereof;
FIG. 3 is a right side view thereof;
FIG. 4 is a top view thereof;
FIG. 5 is a bottom view thereof;
FIG. 6 is a perspective view thereof, shown in use condition; and,
FIG. 7 is a perspective view thereof, shown in another use condition.

The broken lines shown in FIGS. 6 & 7 represent unclaimed environment only and form no part of the claimed design.

1 Claim, 7 Drawing Sheets

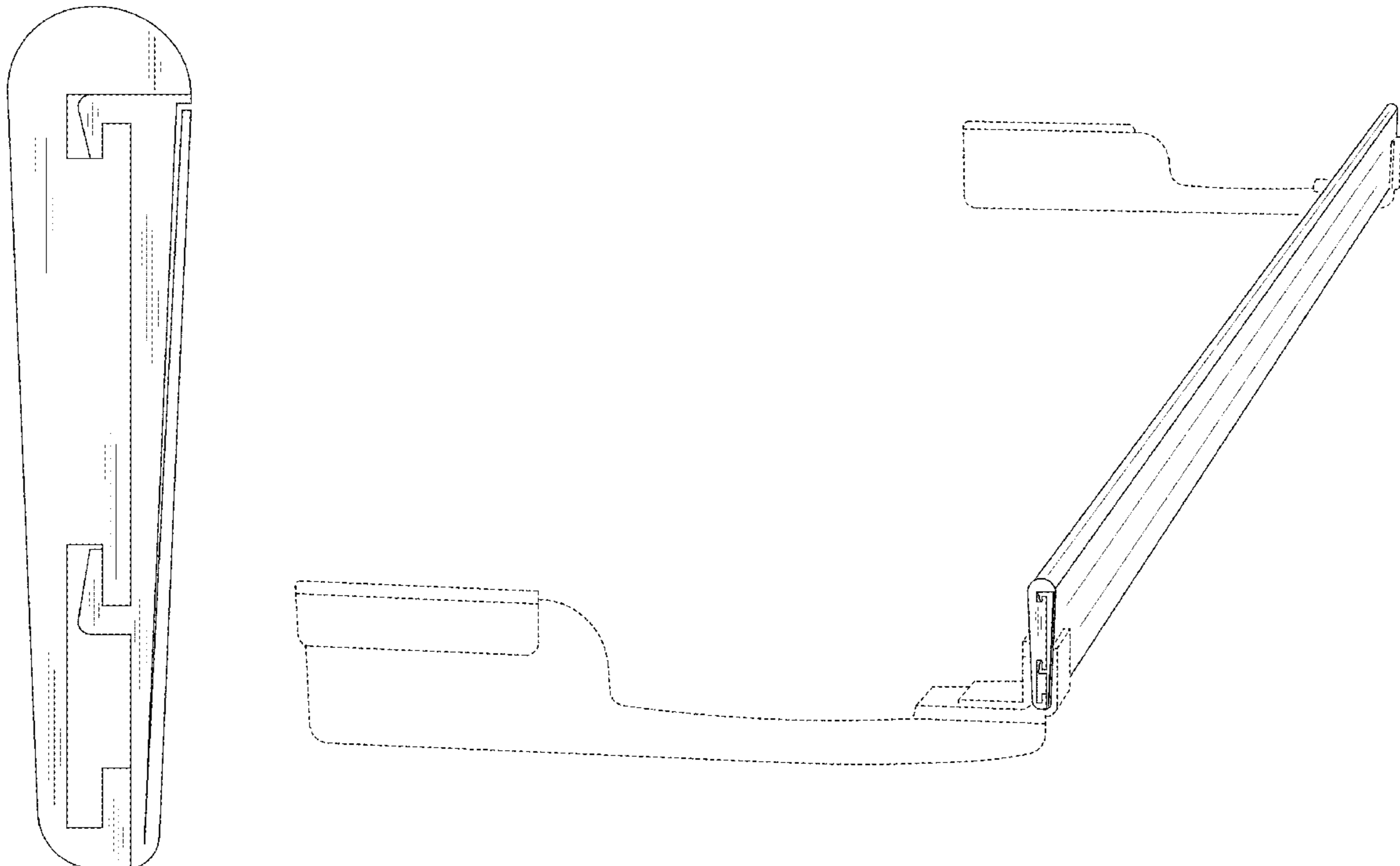


FIGURE 1

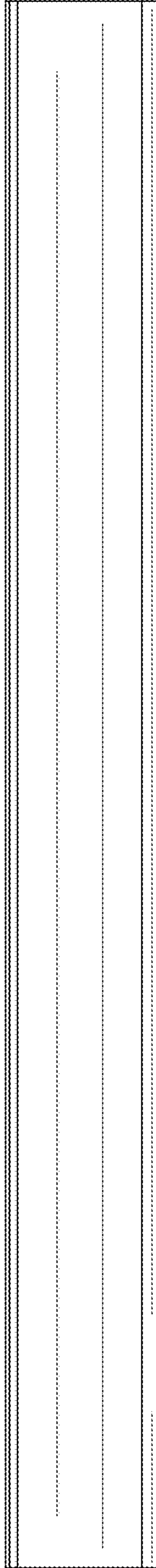


FIGURE 2

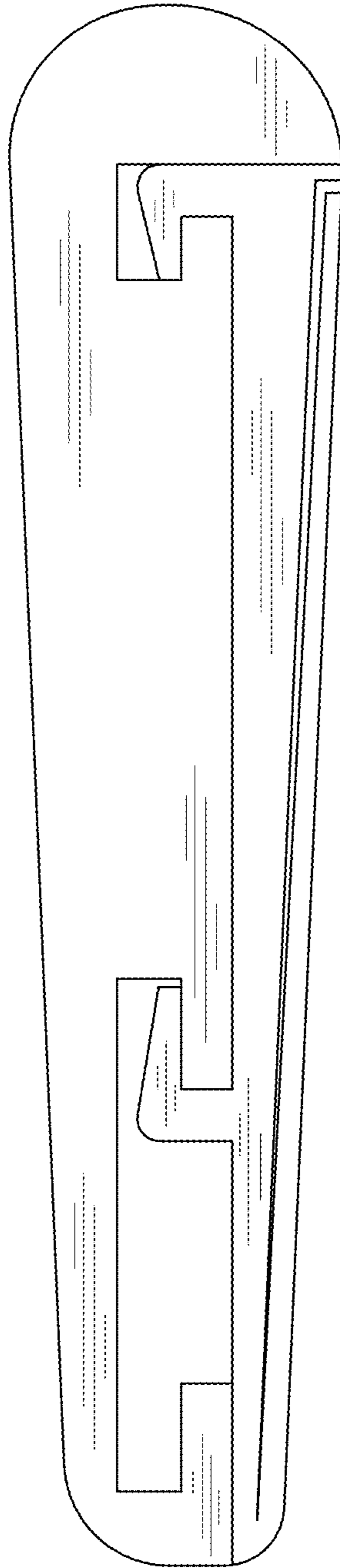


FIGURE 3

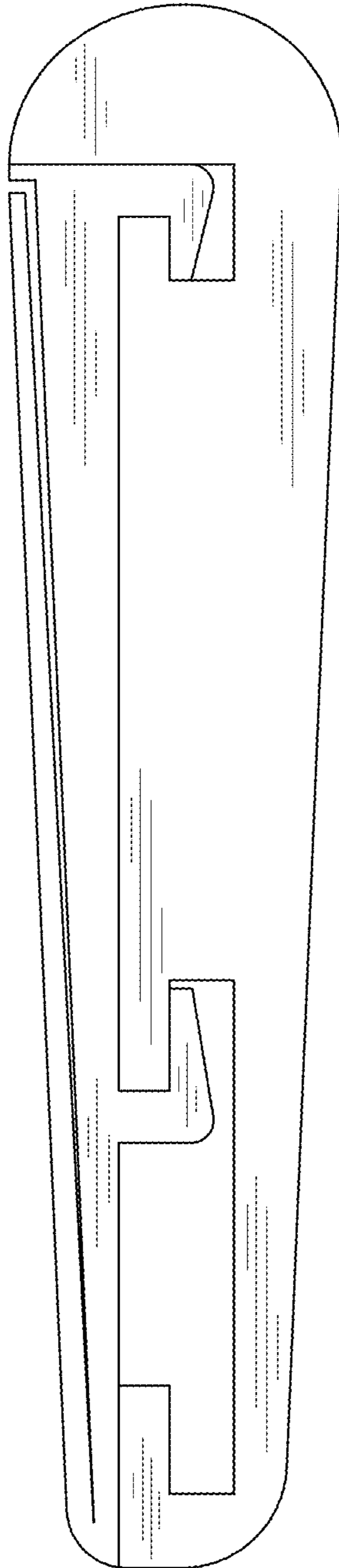


FIGURE 4

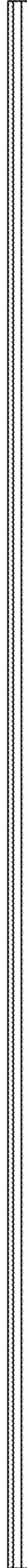
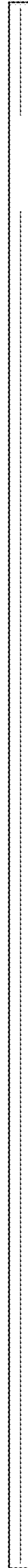


FIGURE 5



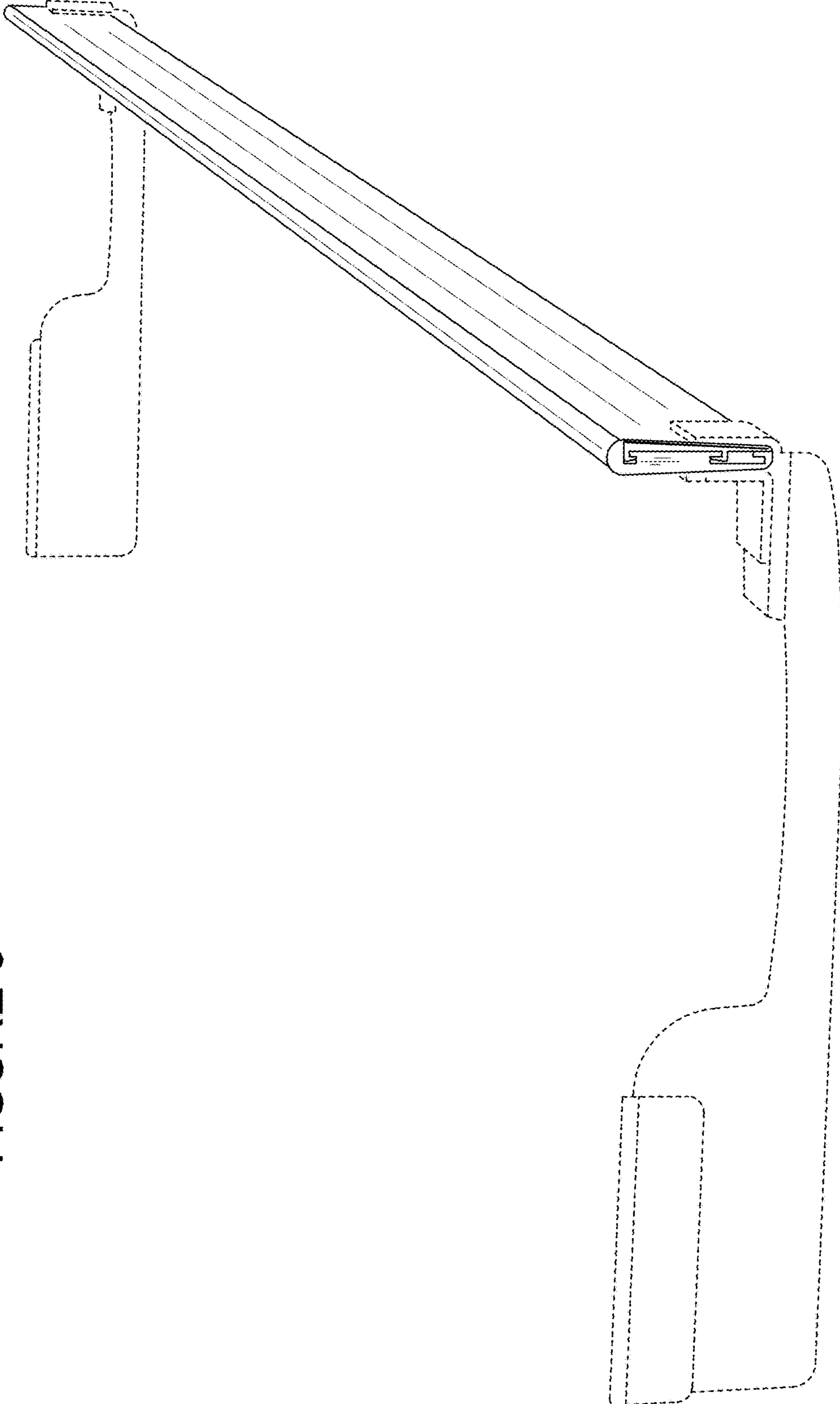


FIGURE 6

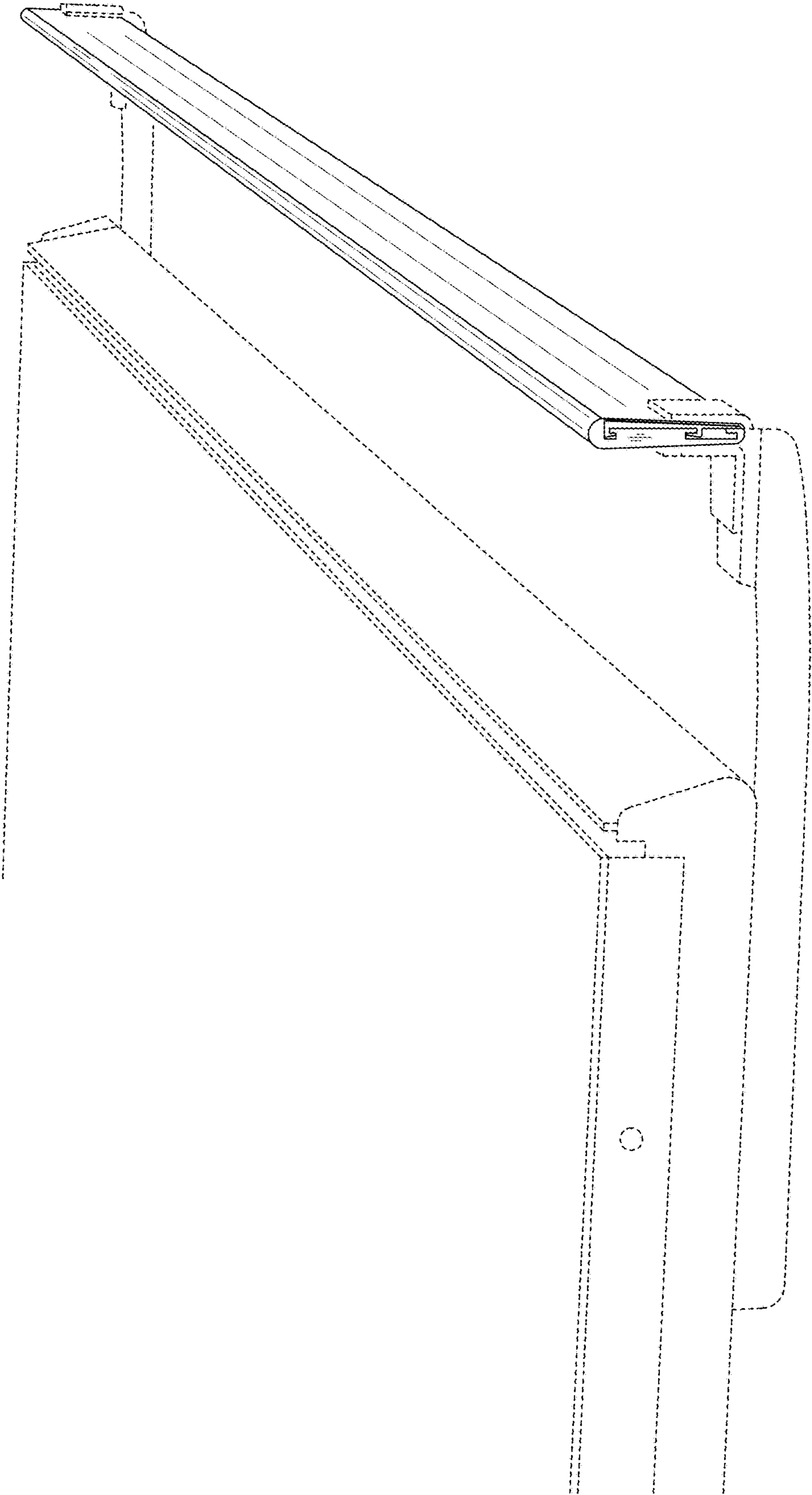


FIGURE 7