



US00D777224S

(12) **United States Design Patent**  
**Burke et al.**

(10) **Patent No.:** **US D777,224 S**  
(45) **Date of Patent:** **\*\* Jan. 24, 2017**

(54) **SLIDABLE BIN CARRIER FOR STORAGE BIN OF A REFRIGERATED APPLIANCE**

(71) Applicant: **Whirlpool Corporation**, Benton Harbor, MI (US)

(72) Inventors: **Julia B. Burke**, St. Joseph, MI (US); **Ronald E. Haltmeyer**, Swisher, IA (US); **Anant Ravindra Karanjikar**, Pune (IN); **Dean Alan Martin**, Solon, IA (US)

(73) Assignee: **Whirlpool Corporation**, Benton Harbor, MI (US)

(\*\*) Term: **14 Years**

(21) Appl. No.: **29/485,255**

(22) Filed: **Mar. 18, 2014**

**Related U.S. Application Data**

(63) Continuation of application No. 13/833,463, filed on Mar. 15, 2013, now abandoned.

(51) **LOC (10) Cl.** ..... **15-07**

(52) **U.S. Cl.**  
USPC ..... **D15/89**

(58) **Field of Classification Search**  
USPC ..... D15/79-91  
CPC ..... F25D 23/028; F25D 23/02; F25D 25/025; F25D 23/00; F25D 2323/021; F25D 11/00; F25D 2323/024; F25D 23/04; F25D 29/00; F25D 25/02; F25D 25/024; F25D 27/005; F25D 23/12; F25D 29/005; F25D 17/042; F25D 2325/021  
See application file for complete search history.

(56) **References Cited**

**U.S. PATENT DOCUMENTS**

3,301,610 A 1/1967 Packett  
4,834,557 A 5/1989 Dreinhoff

4,979,262 A 12/1990 Lautenschlager  
5,090,820 A 2/1992 Lautenschlager  
D709,532 S \* 7/2014 Park et al. .... D15/89  
D714,840 S \* 10/2014 Yang et al. .... D15/89  
D714,844 S \* 10/2014 Jeon et al. .... D15/89  
D714,845 S \* 10/2014 Jeon et al. .... D15/89

(Continued)

**FOREIGN PATENT DOCUMENTS**

CN 2881472 3/2007  
JP 3419988 4/2003

(Continued)

*Primary Examiner* — Daniel Bui  
*Assistant Examiner* — Khawaja Anwar

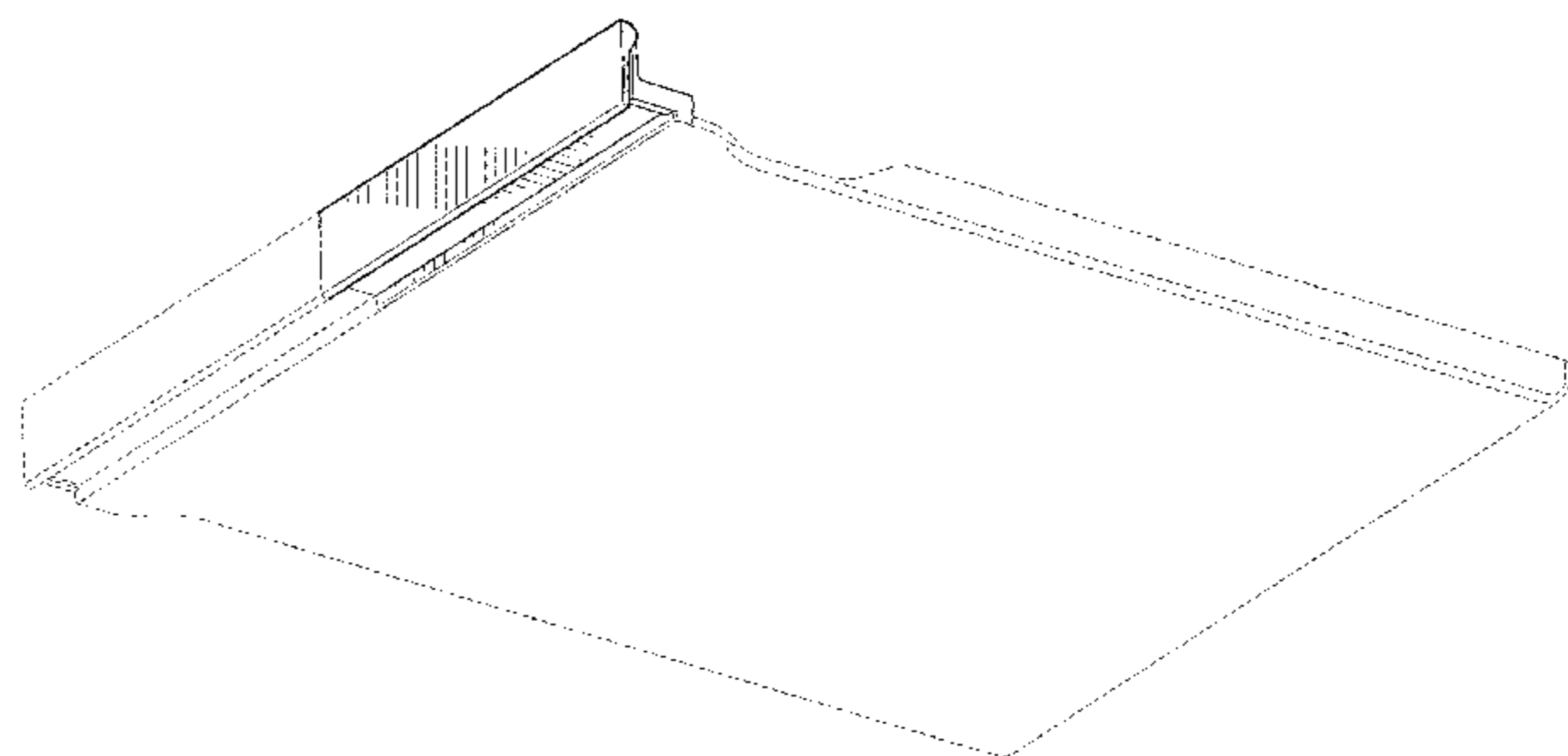
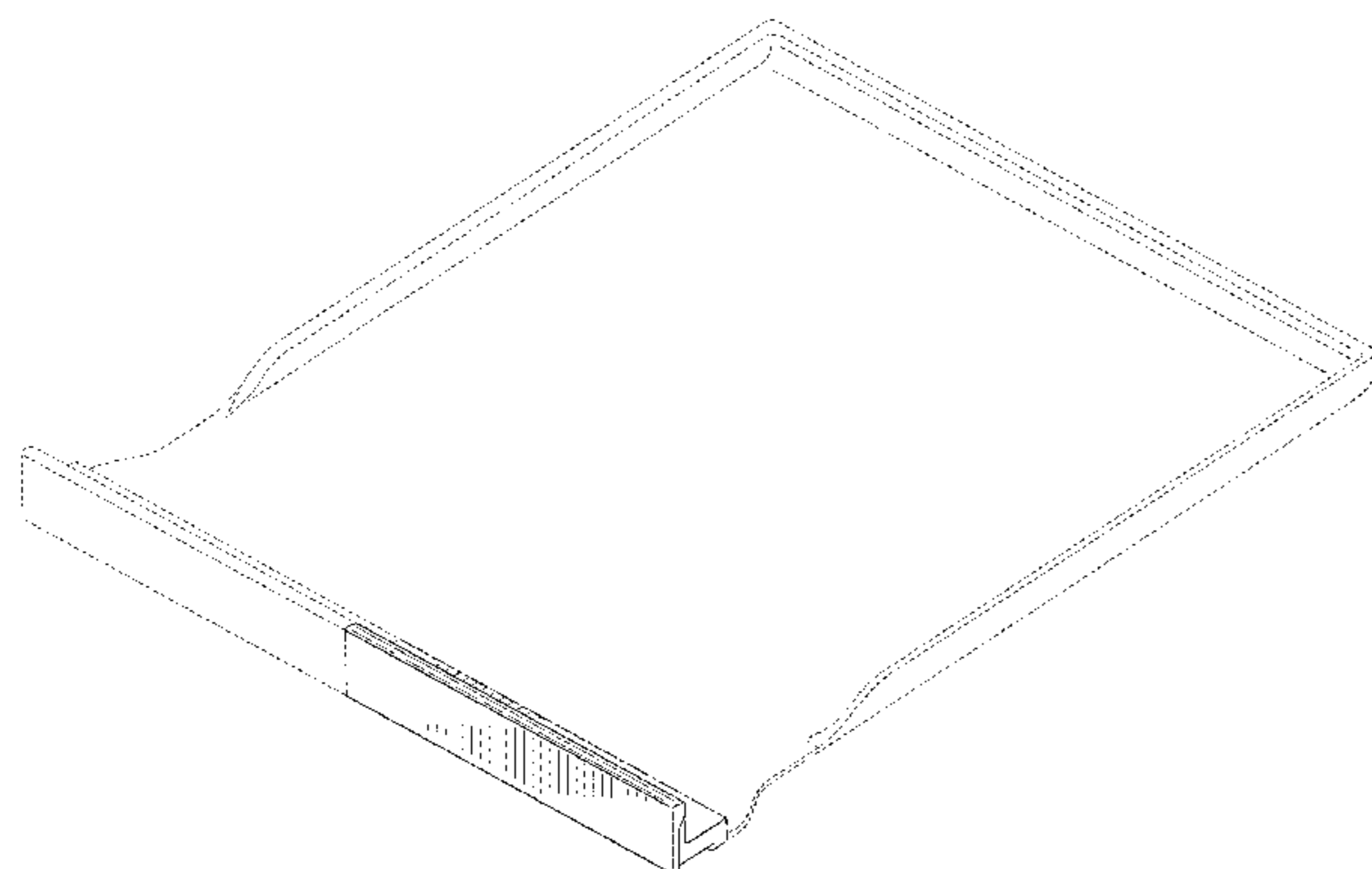
(57) **CLAIM**

We claim the ornamental design for a slidable bin carrier for storage bin of a refrigerated appliance, substantially as shown and described.

**DESCRIPTION**

FIG. 1 is a perspective view of a refrigerated appliance storage bin showing our new design; FIG. 2 is another perspective view thereof; FIG. 3 is a front elevation view thereof; FIG. 4 is a rear elevation view thereof; FIG. 5 is a right side elevation view thereof; FIG. 6 is a left side elevation view thereof; FIG. 7 is a top plan view thereof; and, FIG. 8 is a bottom plan view thereof. The dot-dash broken lines immediately adjacent shaded areas represent the bounds of the claimed design while all other broken lines are included for the purpose of illustrating the unclaimed portions of the article; the broken lines form no part of the claimed design.

**1 Claim, 6 Drawing Sheets**



(56)

**References Cited**

U.S. PATENT DOCUMENTS

D716,848 S \* 11/2014 Seo et al. .... D15/89  
D717,349 S \* 11/2014 Seo et al. .... D15/89  
D719,986 S \* 12/2014 Kim et al. .... D15/89

FOREIGN PATENT DOCUMENTS

|    |               |         |
|----|---------------|---------|
| JP | 2008121976    | 5/2008  |
| KR | 2003021799 A  | 3/2003  |
| KR | 2003023801 A  | 3/2003  |
| KR | 100430216     | 4/2004  |
| KR | 1020040064564 | 7/2004  |
| KR | 2009106233 A  | 10/2009 |
| KR | 2010018234 A  | 2/2010  |
| KR | 1020100023474 | 3/2010  |
| KR | 101028583 B1  | 9/2010  |
| KR | 100998369     | 11/2010 |
| KR | 101013683     | 1/2011  |

\* cited by examiner

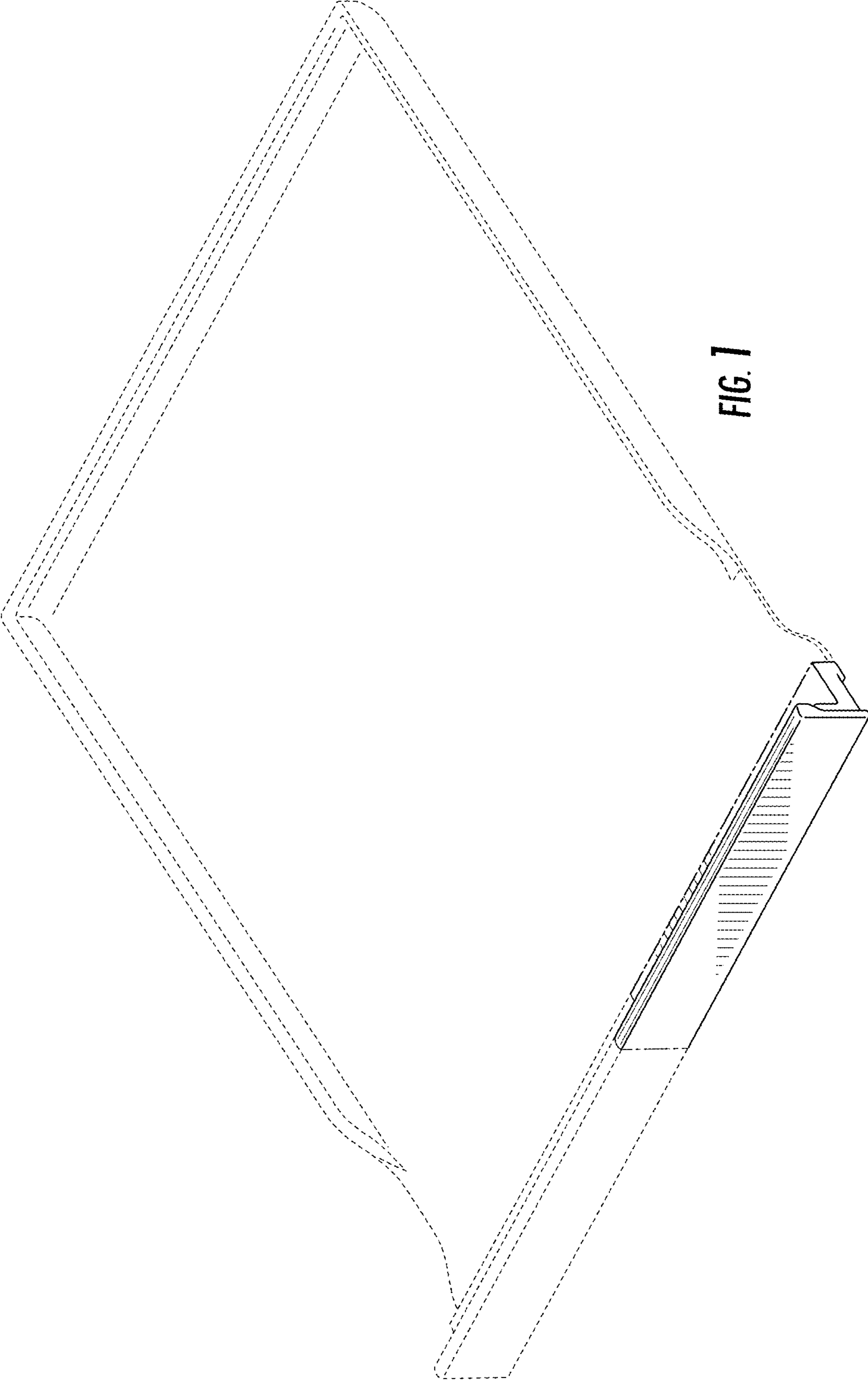


FIG. 1

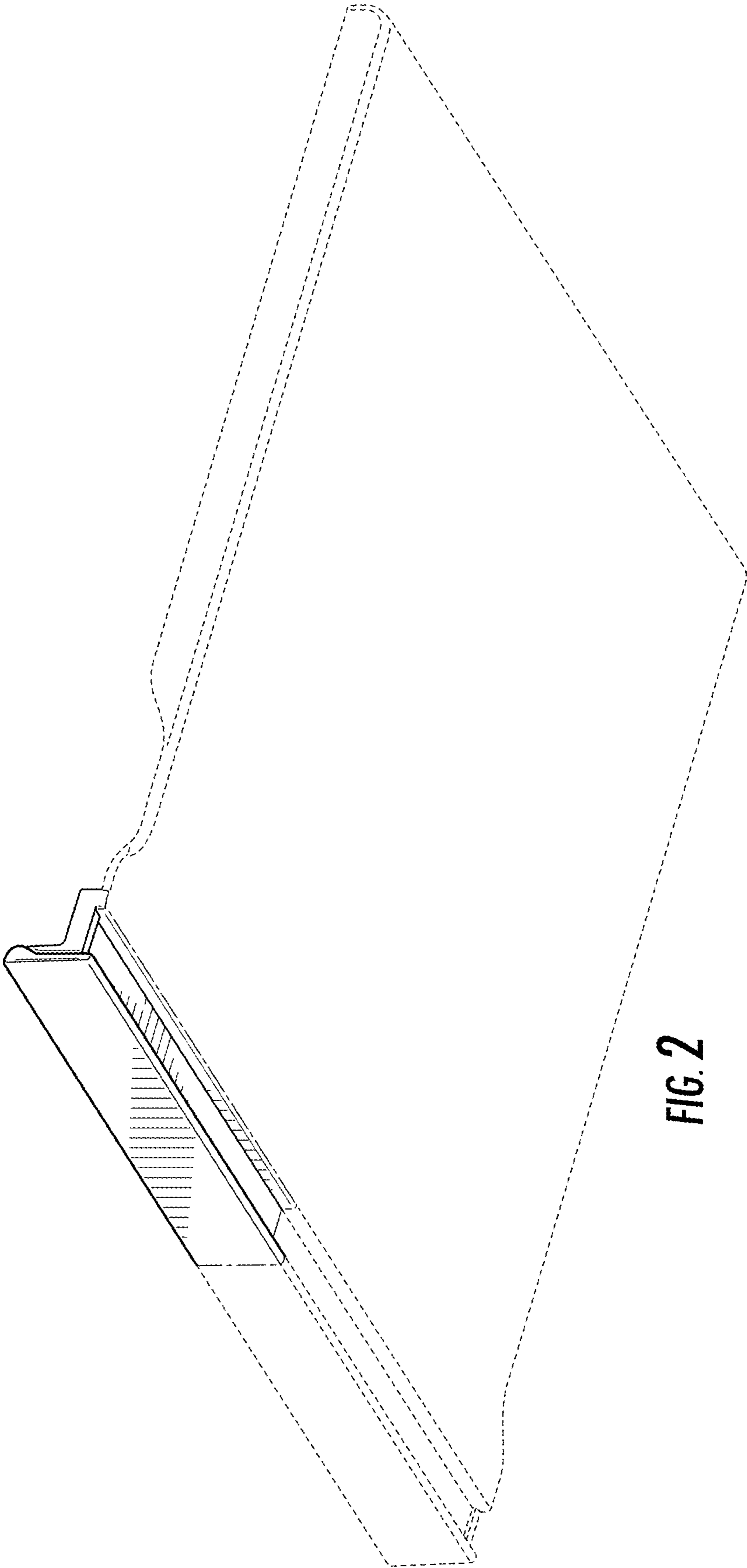
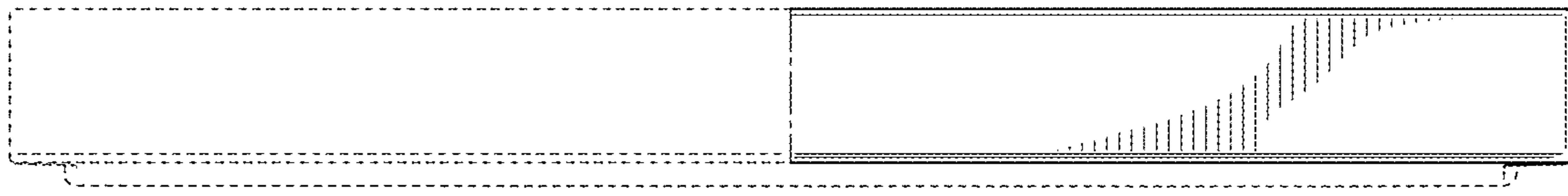
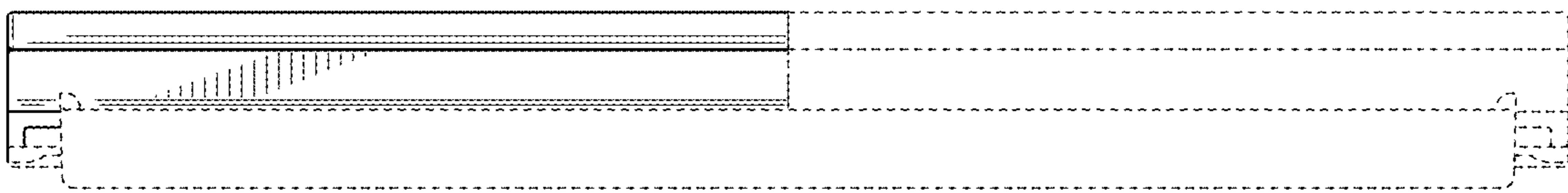


FIG. 2



**FIG. 3**



**FIG. 4**

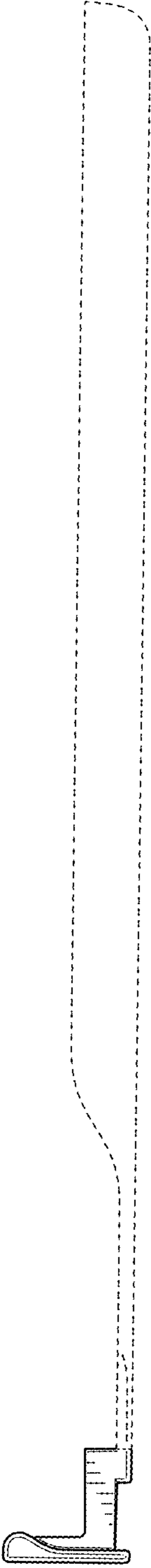


FIG. 5

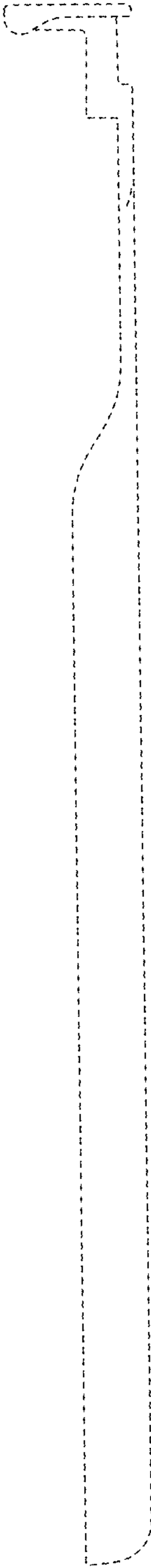
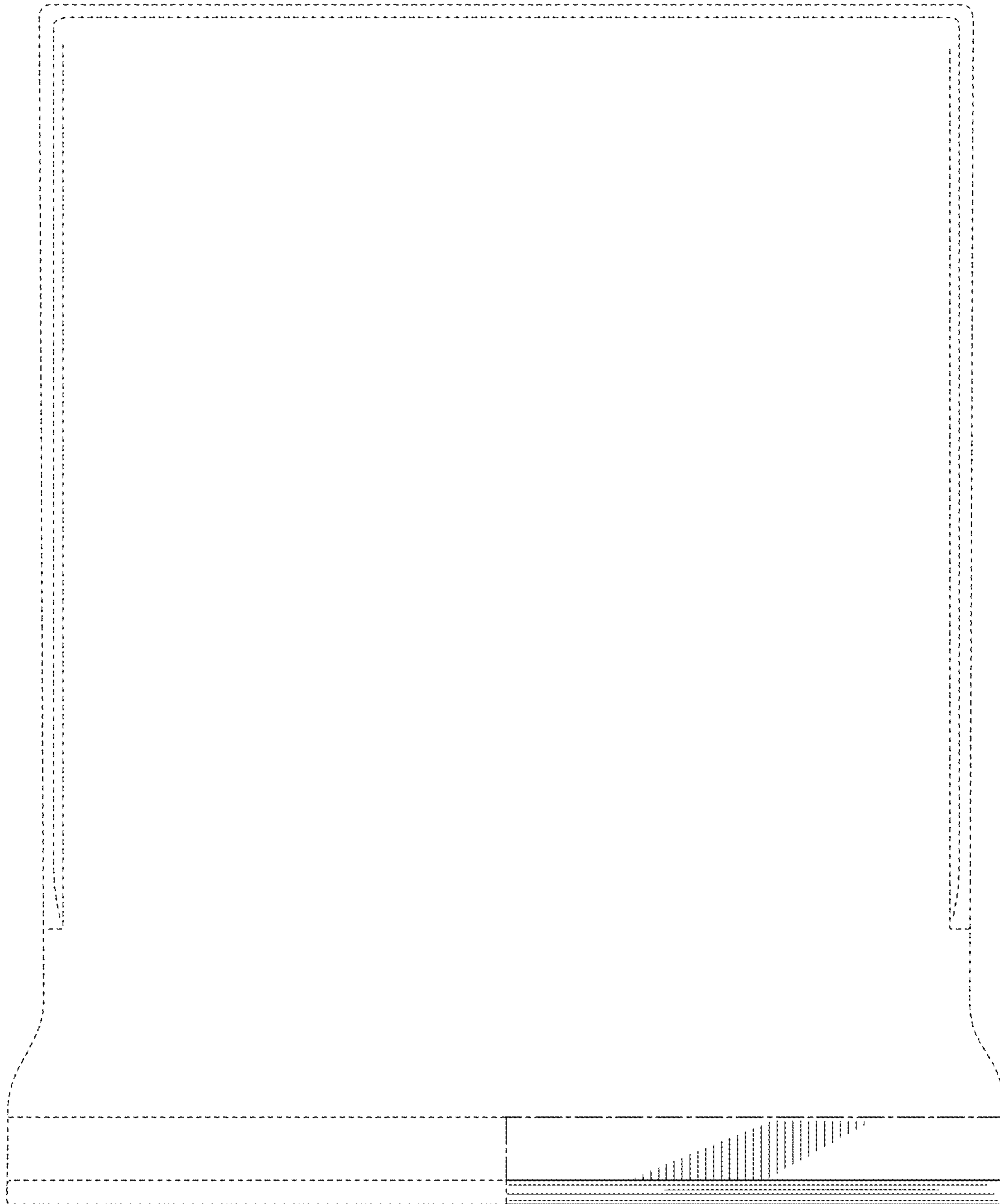
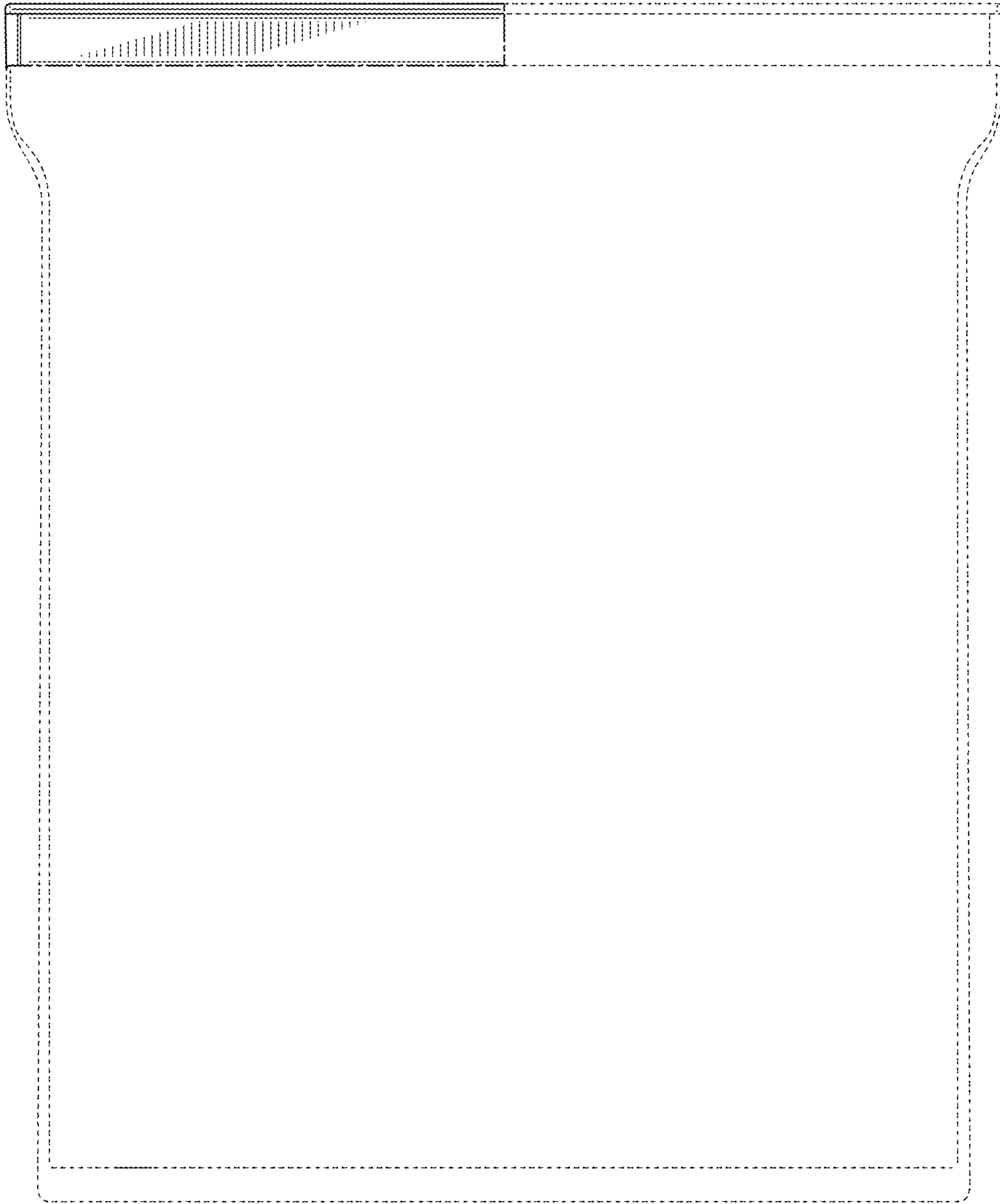


FIG. 6



**FIG. 7**



**FIG. 8**