



US00D777223S

(12) **United States Design Patent** (10) **Patent No.:** **US D777,223 S**
Burke et al. (45) **Date of Patent:** **** Jan. 24, 2017**

(54) **THREE STORAGE BIN ASSEMBLY FOR REFRIGERATED APPLIANCE**

FOREIGN PATENT DOCUMENTS

(71) Applicant: **Whirlpool Corporation**, Benton Harbor, MI (US)

CN 2881472 3/2007
JP 3419988 4/2003

(Continued)

(72) Inventors: **Julia B. Burke**, St. Joseph, MI (US); **Ronald E. Haltmeyer**, Swisher, IA (US); **Anant Ravindra Karanjikar**, Pune (IN); **Dean Alan Martin**, Solon, IA (US)

Primary Examiner — Daniel Bui
Assistant Examiner — Khawaja Anwar

(73) Assignee: **Whirlpool Corporation**, Benton Harbor, MI (US)

(57) **CLAIM**

(**) Term: **14 Years**

We claim the ornamental design for a three storage bin assembly for refrigerated appliance, substantially as shown and described.

(21) Appl. No.: **29/485,252**

(22) Filed: **Mar. 18, 2014**

DESCRIPTION

Related U.S. Application Data

(63) Continuation of application No. 13/833,463, filed on Mar. 15, 2013, now abandoned.

(51) **LOC (10) Cl.** **15-07**

(52) **U.S. Cl.**
USPC **D15/89**

(58) **Field of Classification Search**
USPC D15/79-91
CPC F25D 23/028; F25D 23/02; F25D 25/025; F25D 23/00; F25D 2323/021; F25D 11/00; F25D 2323/024; F25D 23/04; F25D 29/00; F25D 25/02; F25D 25/024; F25D 27/005;

(Continued)

FIG. 1 is a perspective view of a three storage bin assembly for refrigerated appliance, showing our new design; FIG. 2 is another perspective view thereof; FIG. 3 is a front elevation view thereof; FIG. 4 is a rear elevation view thereof; FIG. 5 is a right side elevation view thereof; FIG. 6 is a left side elevation view thereof; FIG. 7 is a top plan view thereof; FIG. 8 is a bottom plan view thereof; FIG. 9 is another perspective view thereof, shown in a first alternate configuration; FIG. 10 is another perspective view thereof, shown in a second alternate configuration; and, FIG. 11 is another perspective view thereof, shown in a third alternate configuration.

(56) **References Cited**

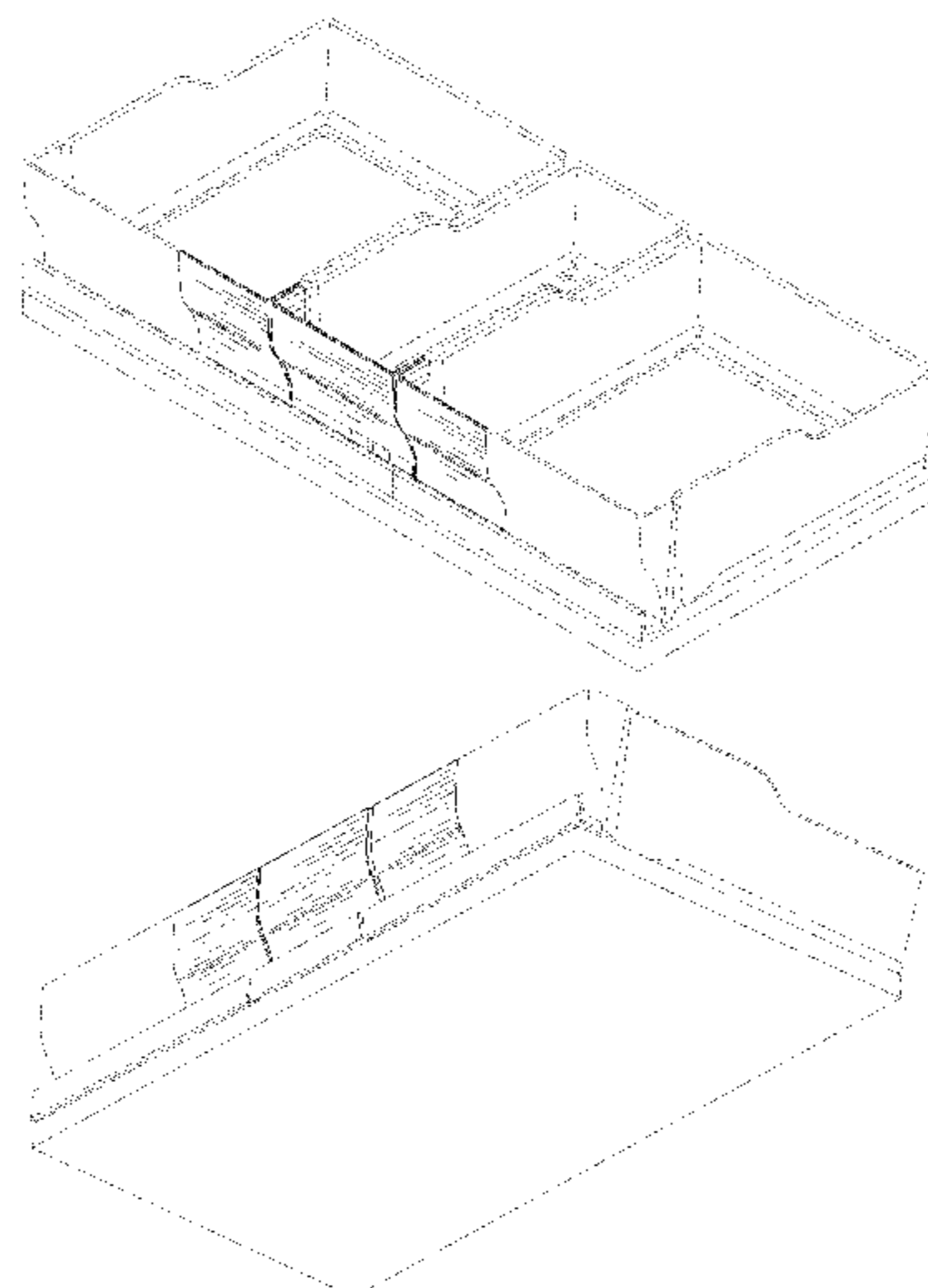
U.S. PATENT DOCUMENTS

3,301,610 A 1/1967 Packett
4,834,557 A 5/1989 Dreinhoff
4,979,262 A 12/1990 Lautenschlager

(Continued)

The dot-dash broken lines immediately adjacent shaded areas represent the bounds of the claimed design while all other broken lines are included for the purpose of illustrating the unclaimed portions of the article; the broken lines form no part of the claimed design.

1 Claim, 9 Drawing Sheets



(58) **Field of Classification Search**

CPC F25D 23/12; F25D 29/005; F25D 17/042;
F25D 2325/021

See application file for complete search history.

(56) **References Cited**

U.S. PATENT DOCUMENTS

5,090,820	A	2/1992	Lautenschlager	
D515,114	S *	2/2006	Grobleben	D15/89
D676,468	S *	2/2013	Lee et al.	D15/89
D694,289	S *	11/2013	Hottmann et al.	D15/89
D695,796	S *	12/2013	Lee et al.	D15/89
D710,406	S *	8/2014	Seo et al.	D15/89
D723,593	S *	3/2015	Ryu et al.	D15/89

FOREIGN PATENT DOCUMENTS

JP		2008121976		5/2008
KR		2003021799	A	3/2003
KR		2003023801	A	3/2003
KR		100430216		4/2004
KR		1020040064564		7/2004
KR		2009106233	A	10/2009
KR		2010018234	A	2/2010
KR		1020100023474		3/2010
KR		101028583	B1	9/2010
KR		100998369		11/2010
KR		101013683		1/2011

* cited by examiner

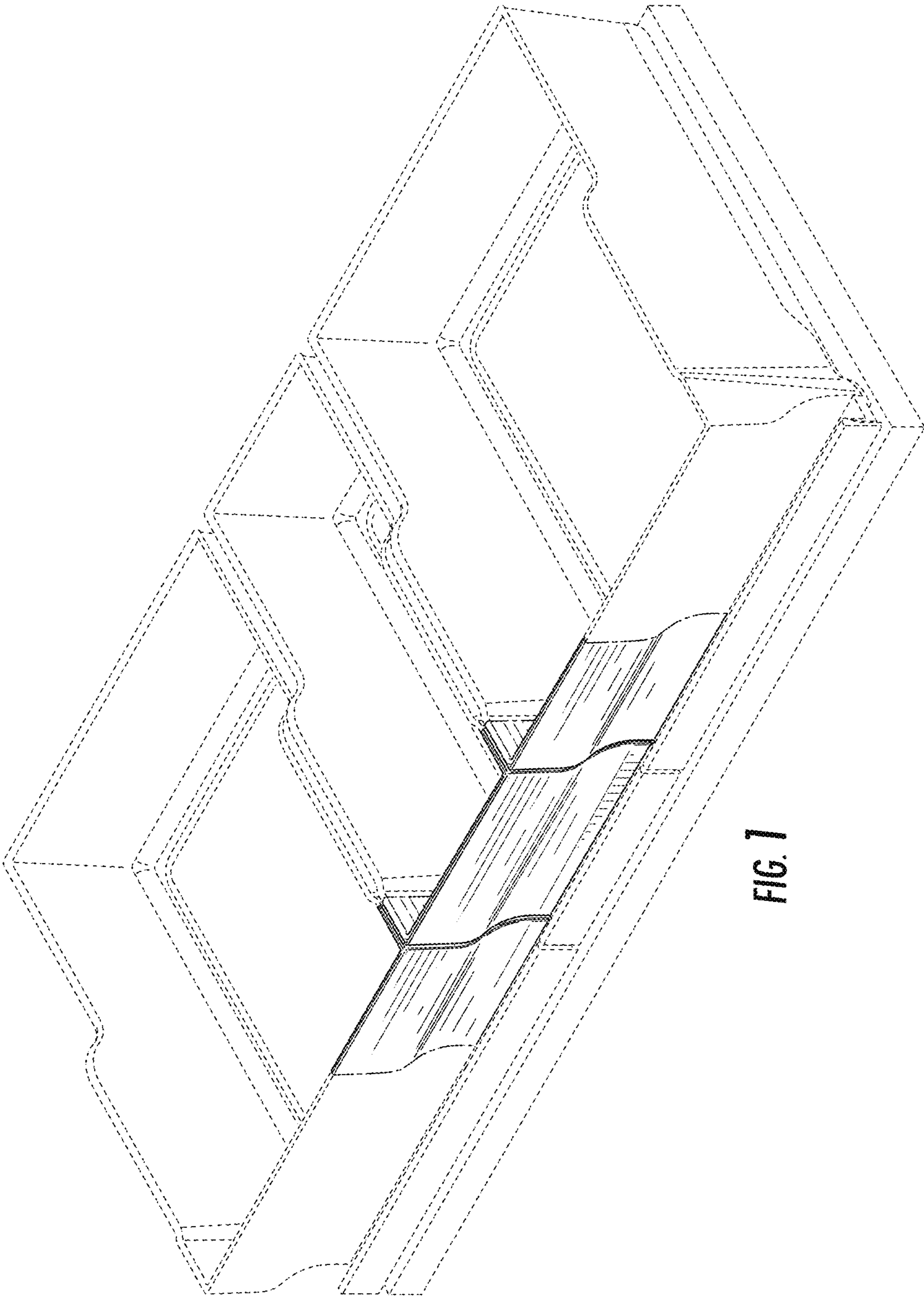


FIG. 1

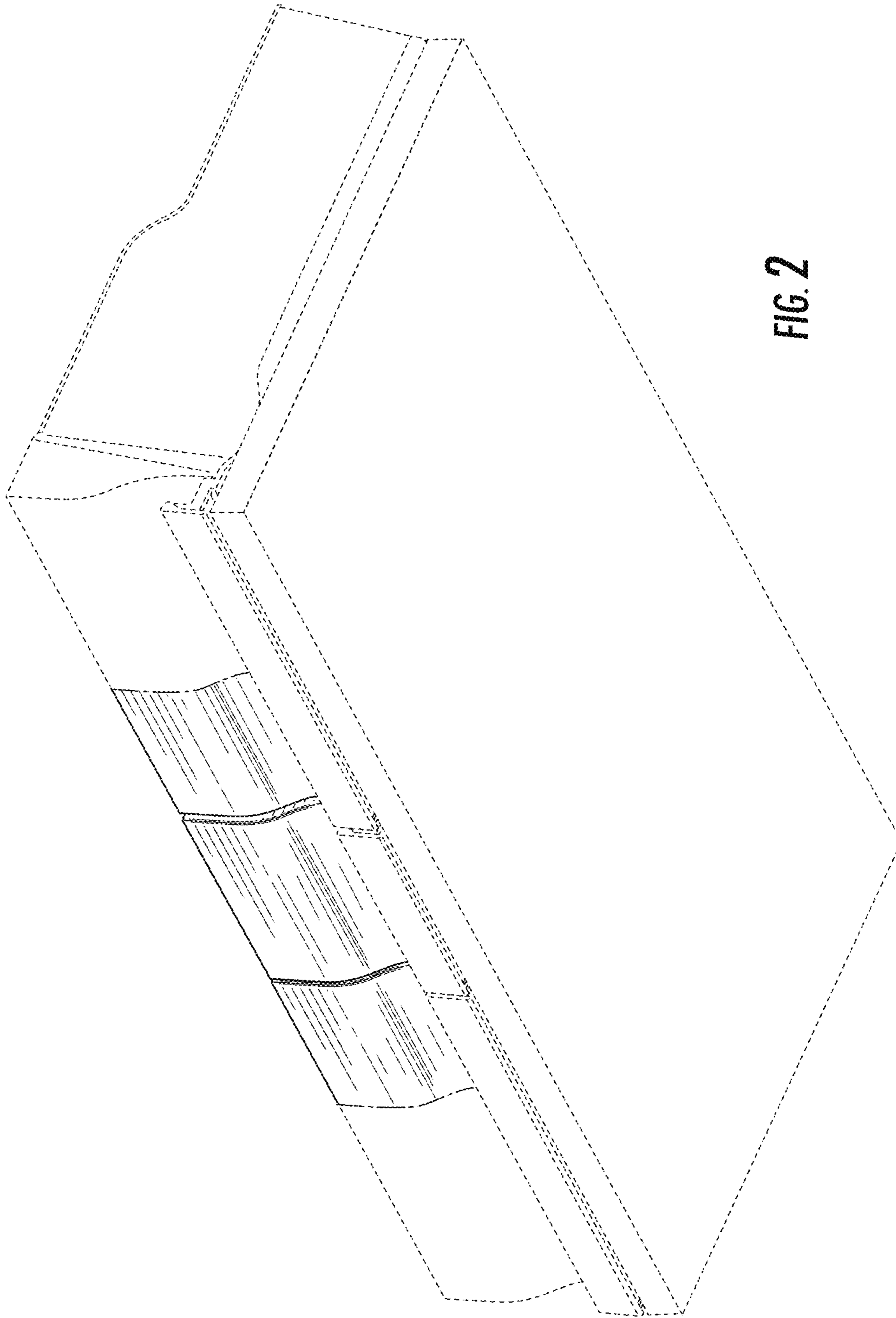


FIG. 2

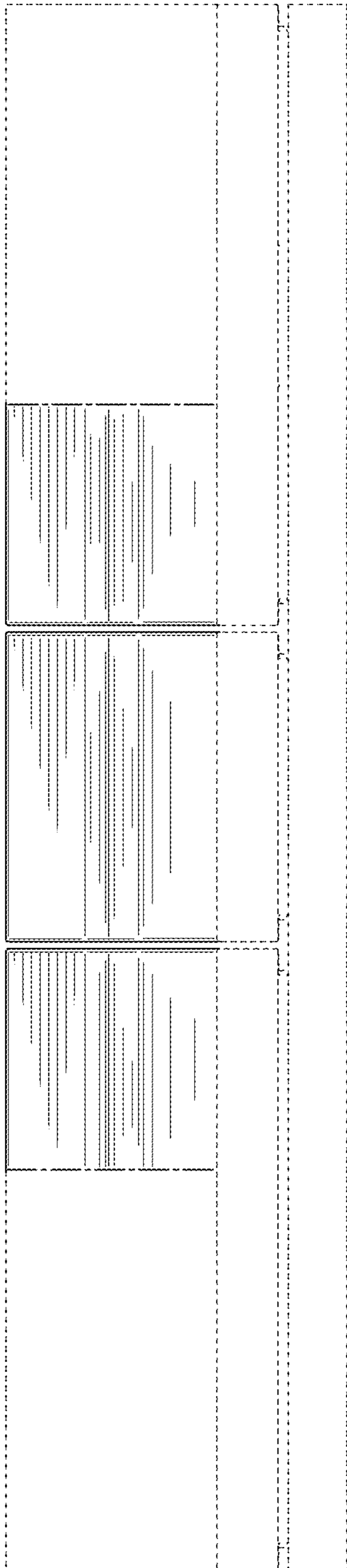


FIG. 3

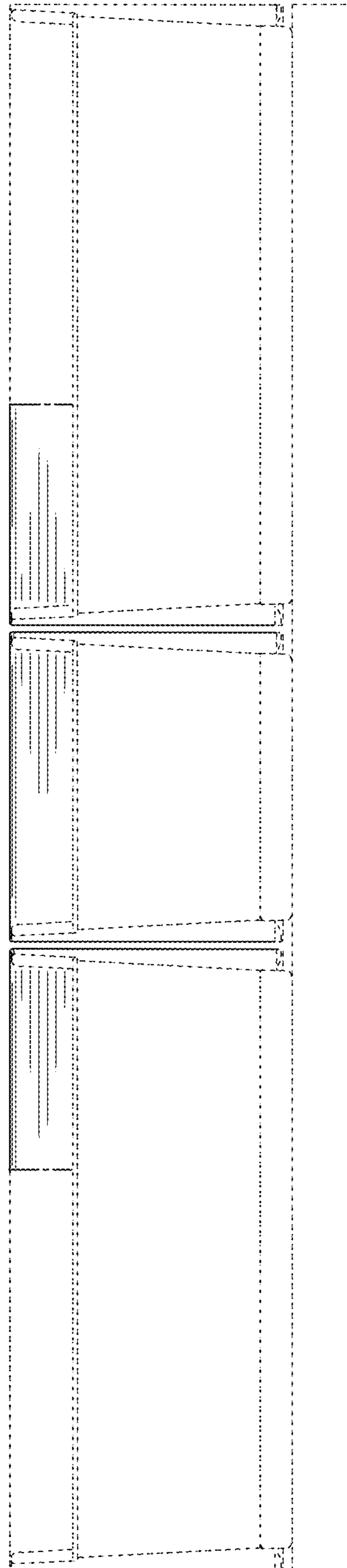


FIG. 4

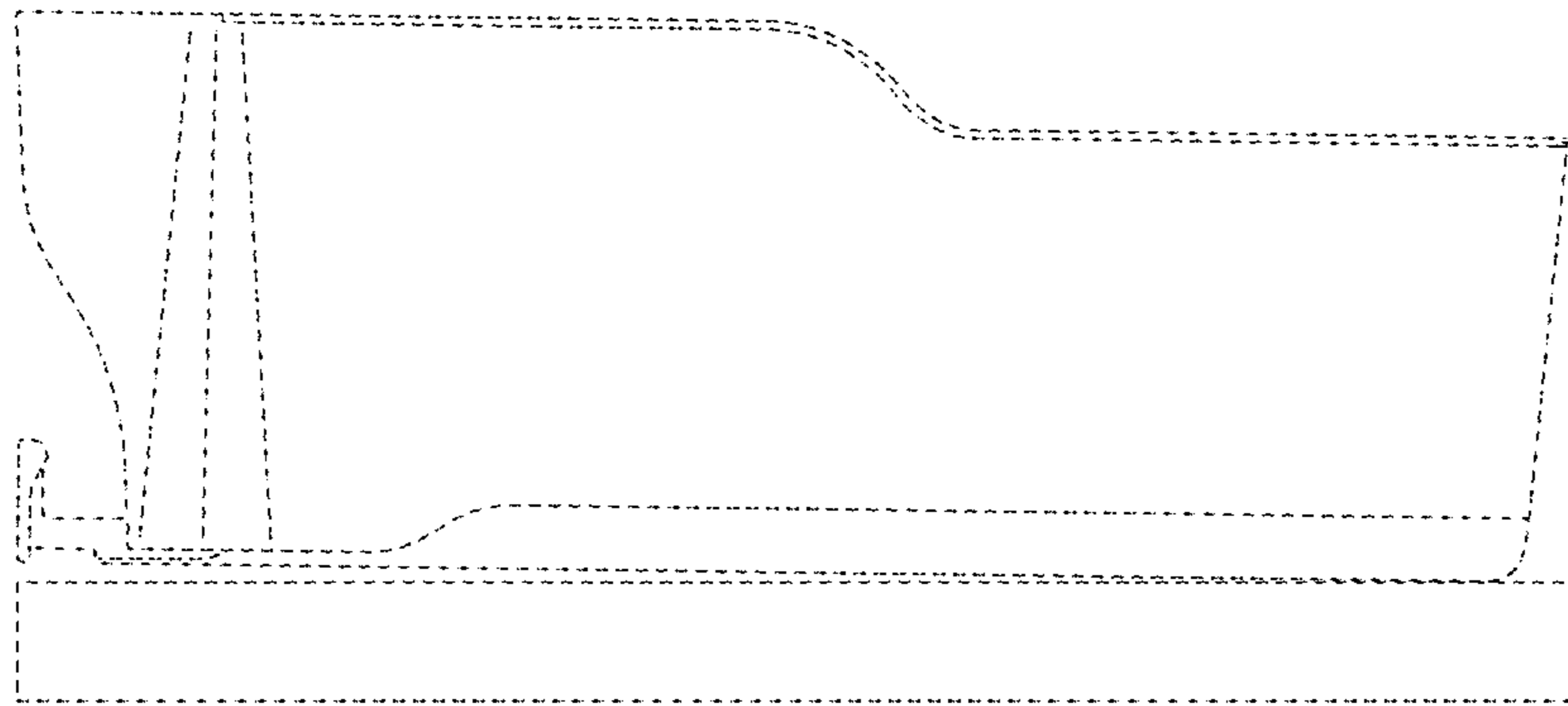


FIG. 5

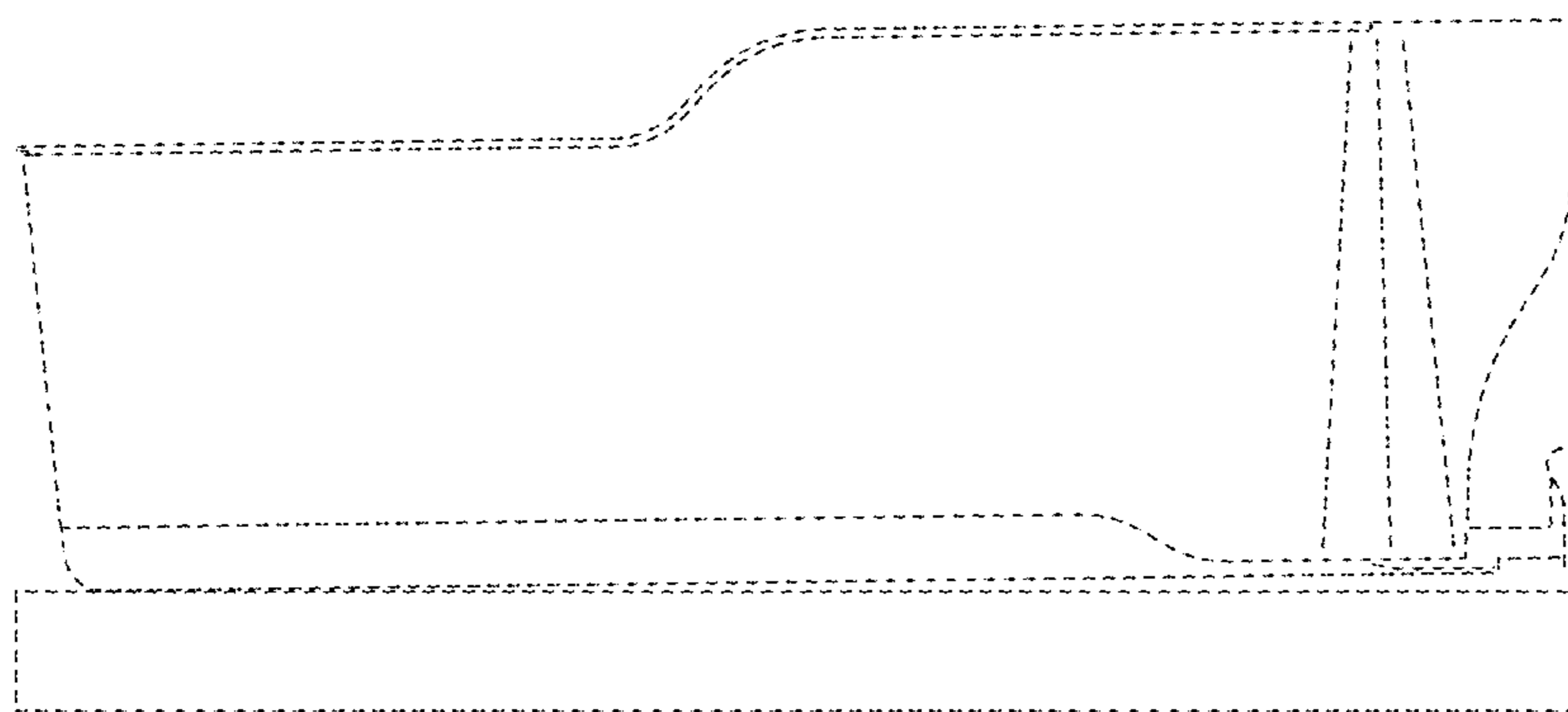


FIG. 6

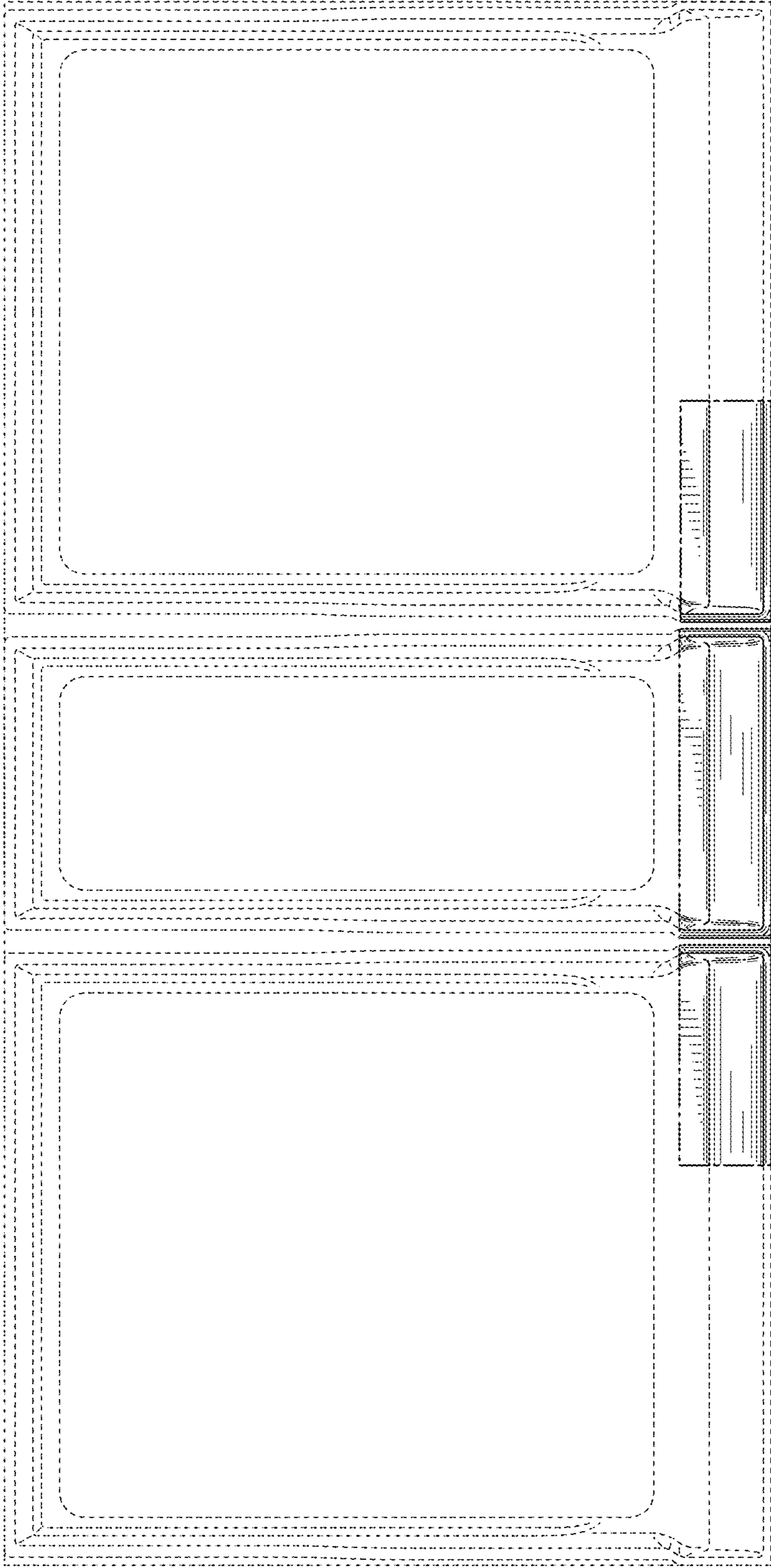


FIG. 7



FIG. 8

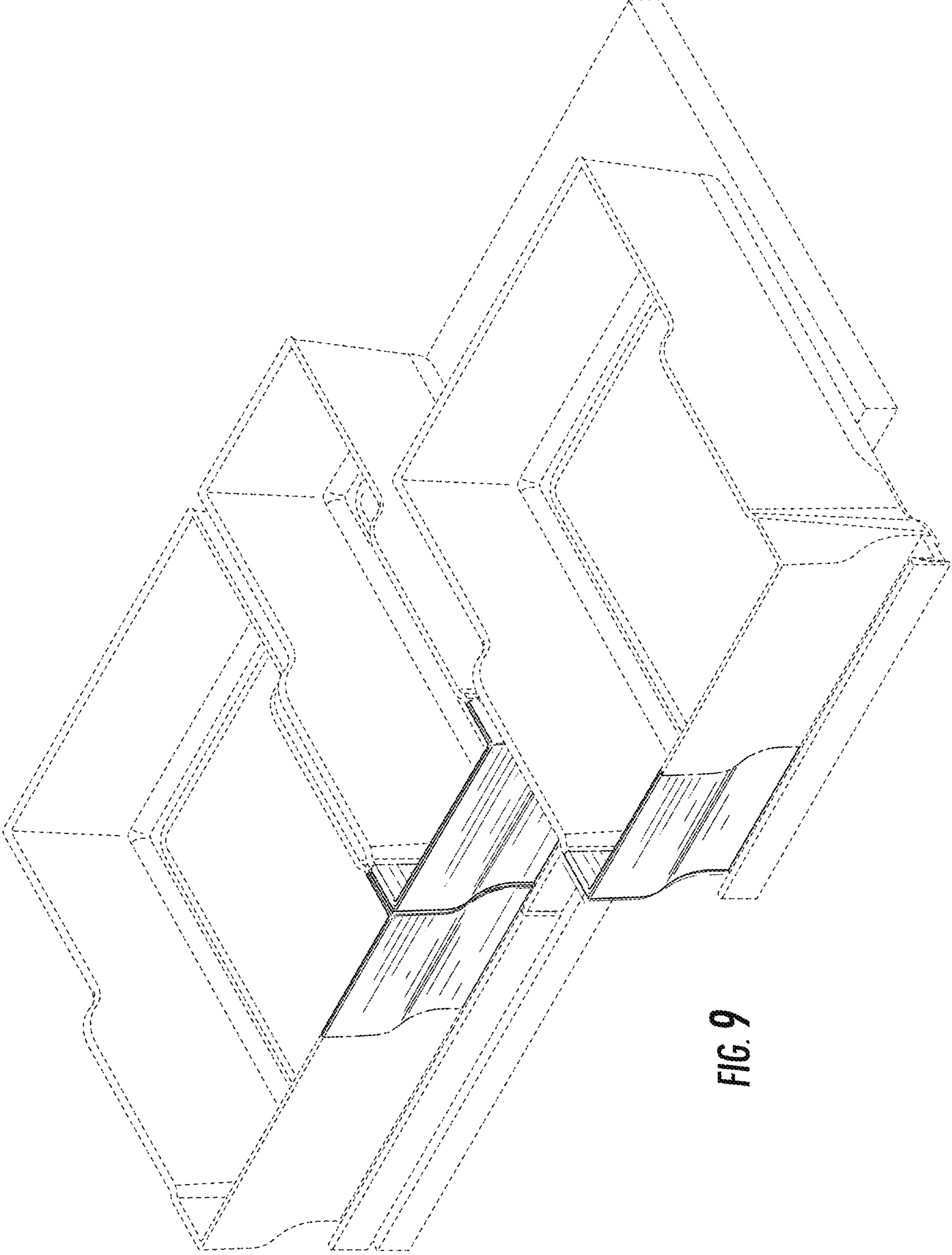


FIG. 9

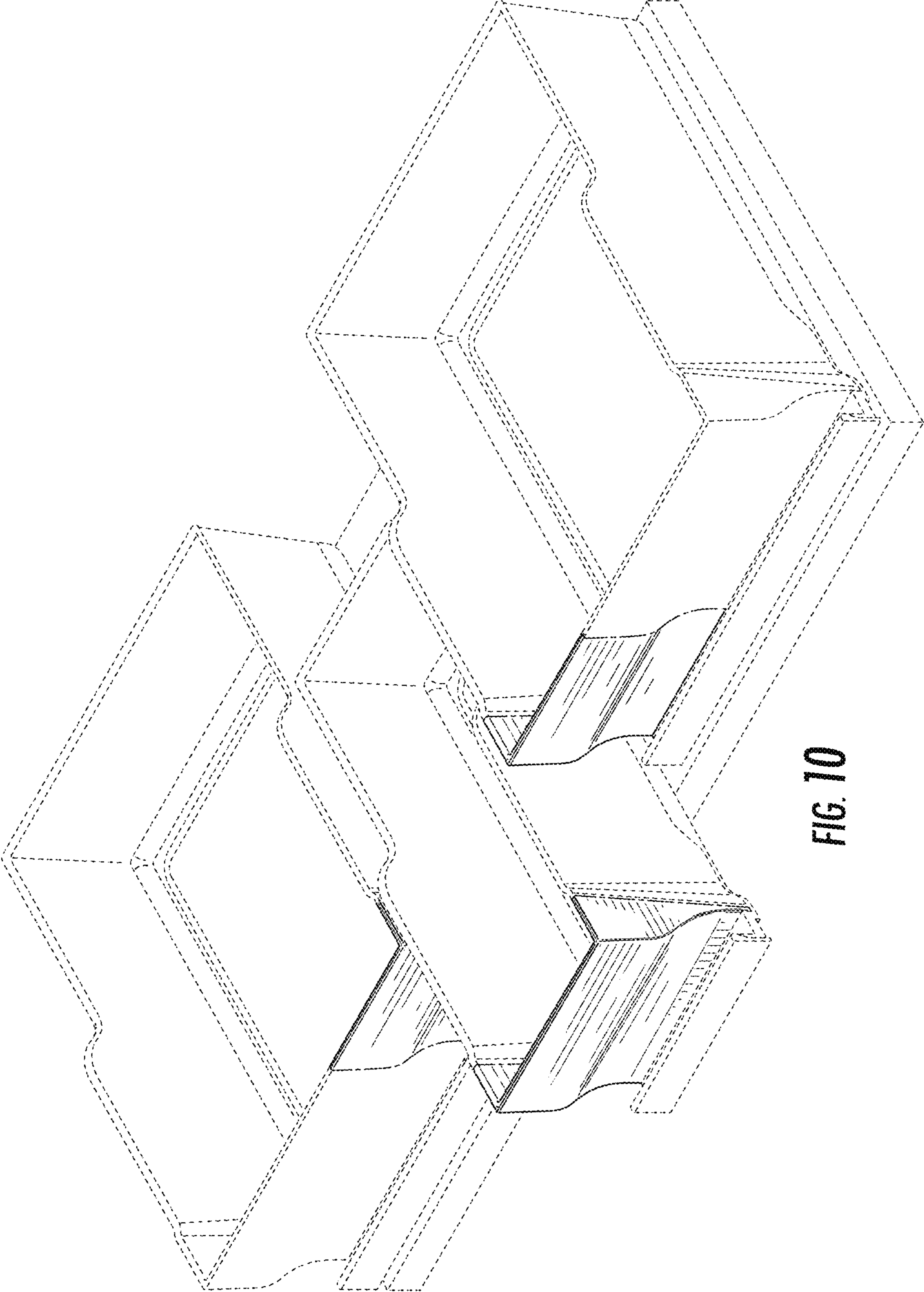


FIG. 10

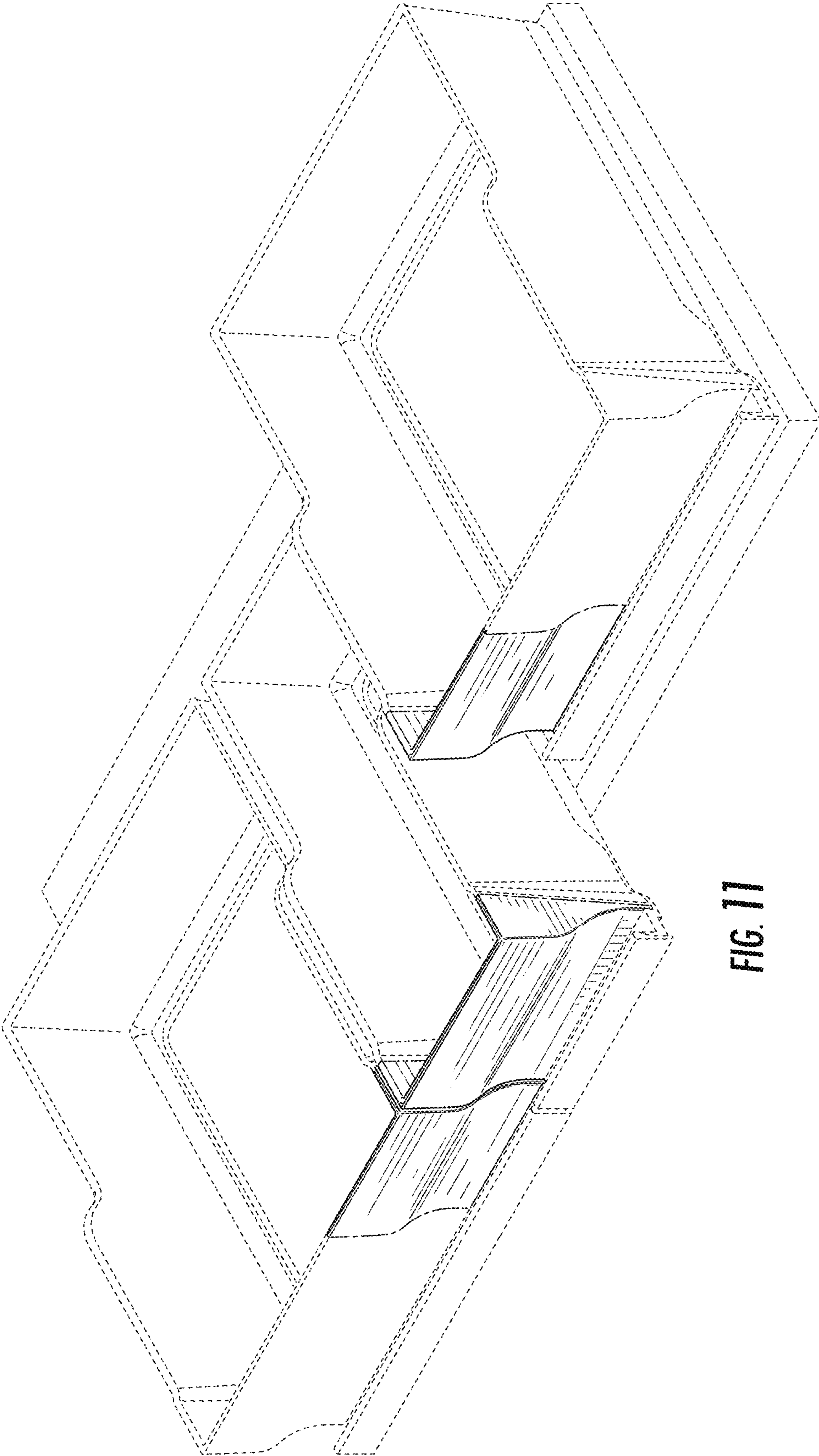


FIG. 11